



US00D904580S

(12) **United States Design Patent** (10) **Patent No.:** **US D904,580 S**  
**Moir et al.** (45) **Date of Patent:** **\*\* Dec. 8, 2020**

(54) **BATH**

*Primary Examiner* — Robert A Delehanty

(71) Applicant: **Jacuzzi Inc.**, Chino Hills, CA (US)

(74) *Attorney, Agent, or Firm* — The Webb Law Firm

(72) Inventors: **Erica A. Moir**, Santa Ana, CA (US);  
**Kevin Lee**, Pomona, CA (US)

(57) **CLAIM**

(73) Assignee: **Jacuzzi Inc.**, Chino Hills, CA (US)

The ornamental design for a bath, as shown and described.

(\*\*) Term: **15 Years**

(21) Appl. No.: **29/744,241**

**DESCRIPTION**

(22) Filed: **Jul. 28, 2020**

**Related U.S. Application Data**

(62) Division of application No. 29/670,870, filed on Nov. 20, 2018.

(51) **LOC (12) Cl.** ..... **23-02**

(52) **U.S. Cl.**  
USPC ..... **D23/280.1**

(58) **Field of Classification Search**  
USPC ..... D23/277, 280.1, 304  
CPC ..... A61H 2035/004  
See application file for complete search history.

FIG. 1 is an upper front perspective view of a bath showing our new design;

FIG. 2 is an upper left perspective view thereof;

FIG. 3 is a front elevation view thereof;

FIG. 4 is a rear elevation view thereof;

FIG. 5 is a left side elevation view thereof;

FIG. 6 is a right side elevation view thereof;

FIG. 7 is a top view thereof; and,

FIG. 8 is a bottom view thereof.

The portions of the bath shown in broken lines form no part of the claimed design.

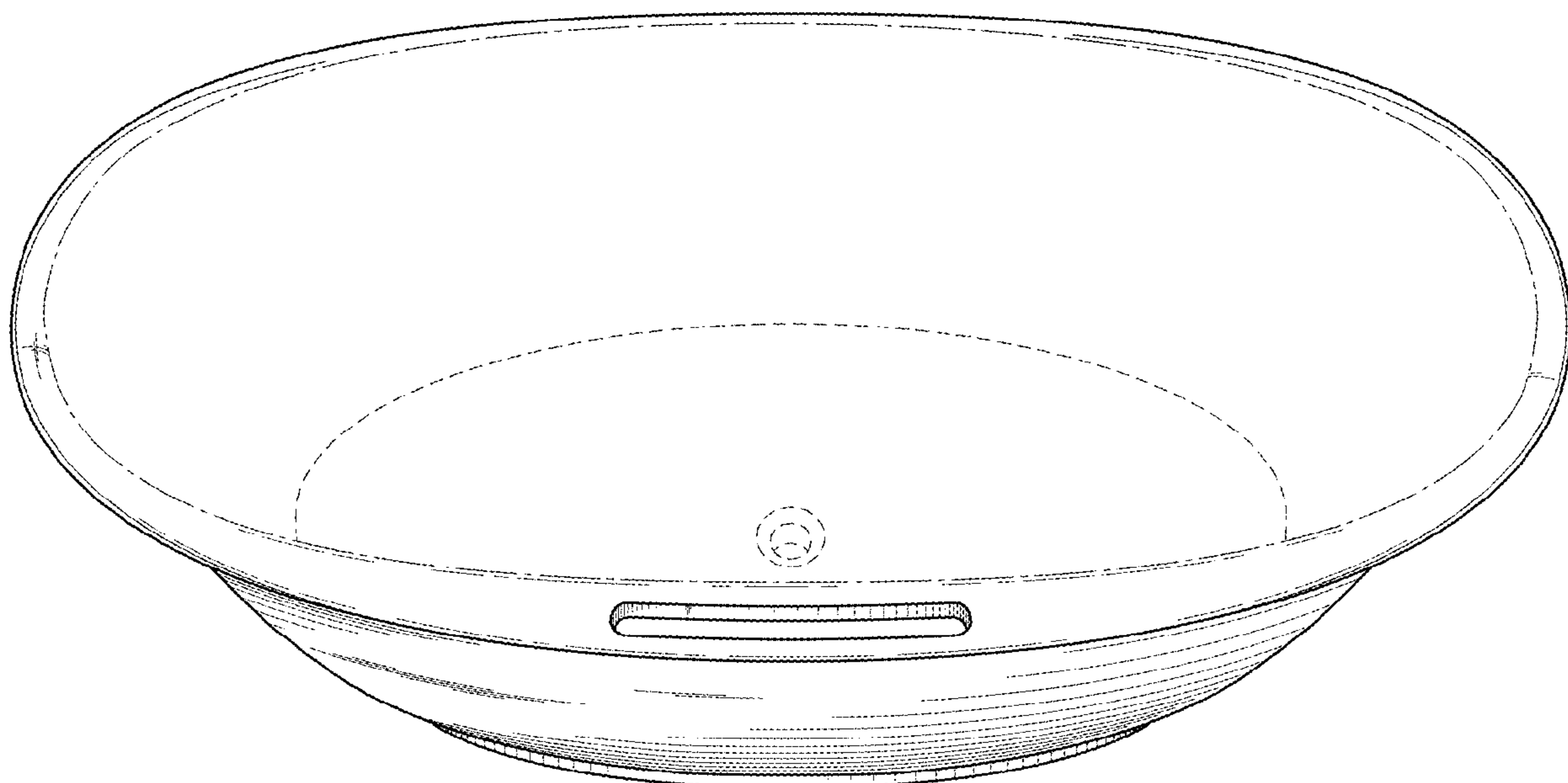
The dashed-dotted line showings of FIGS. 1, 2, and 7 illustrate boundaries between the claimed design and environmental features.

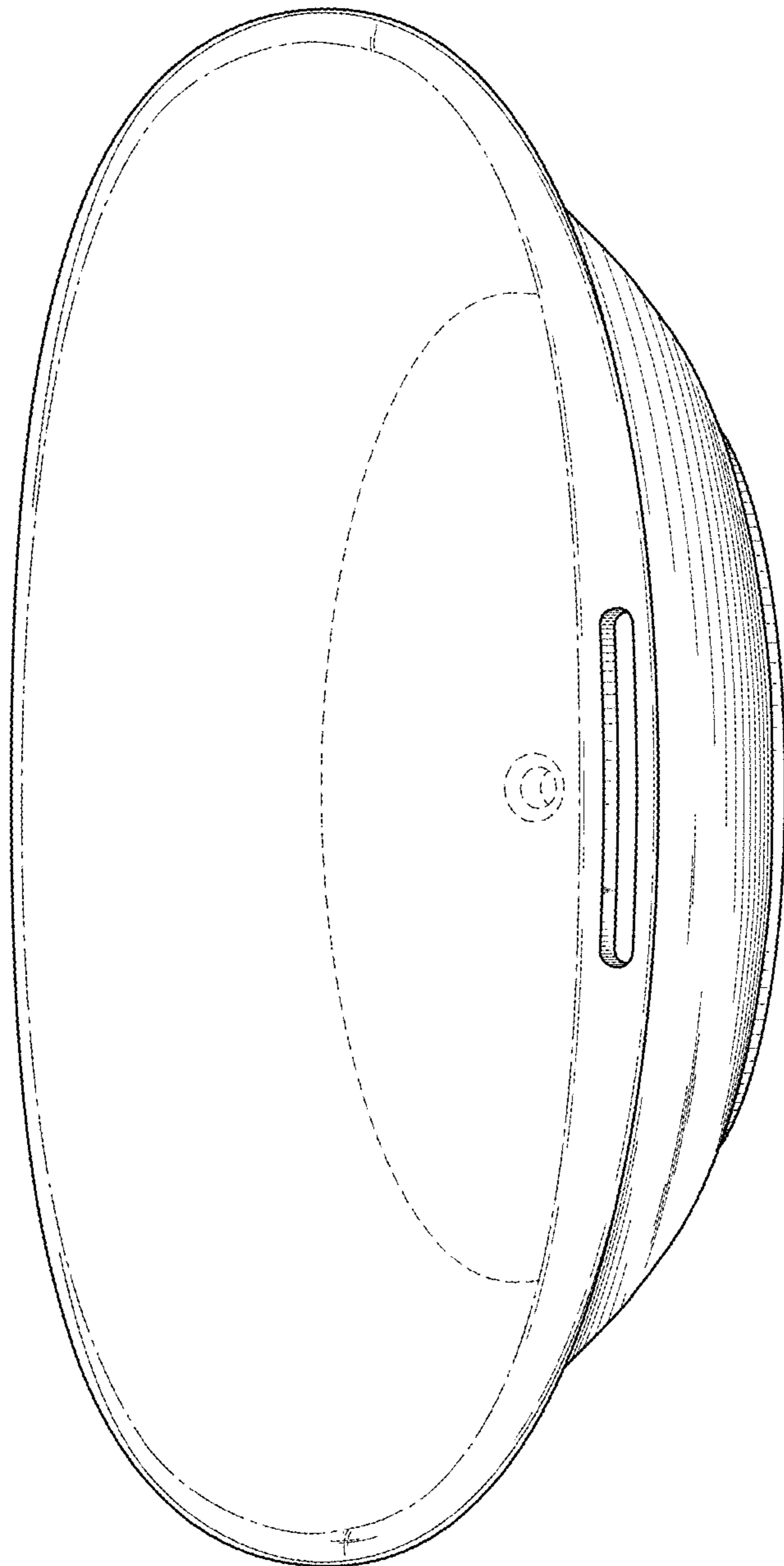
(56) **References Cited**

**U.S. PATENT DOCUMENTS**

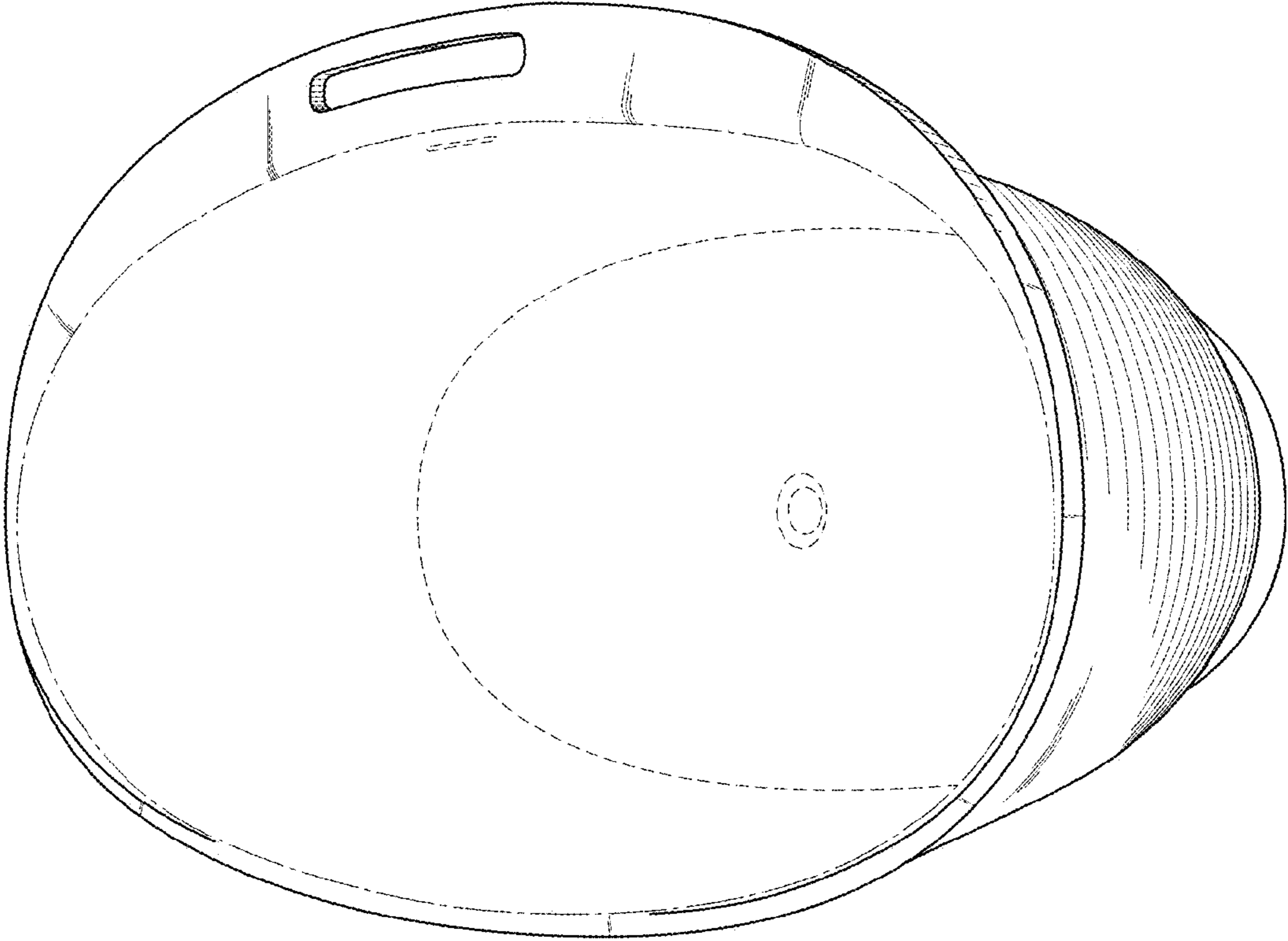
D637,699 S	5/2011	Messier
D694,866 S	12/2013	Quigley
D709,598 S	7/2014	Dupras
D724,706 S	3/2015	Meneghello et al.

**1 Claim, 7 Drawing Sheets**

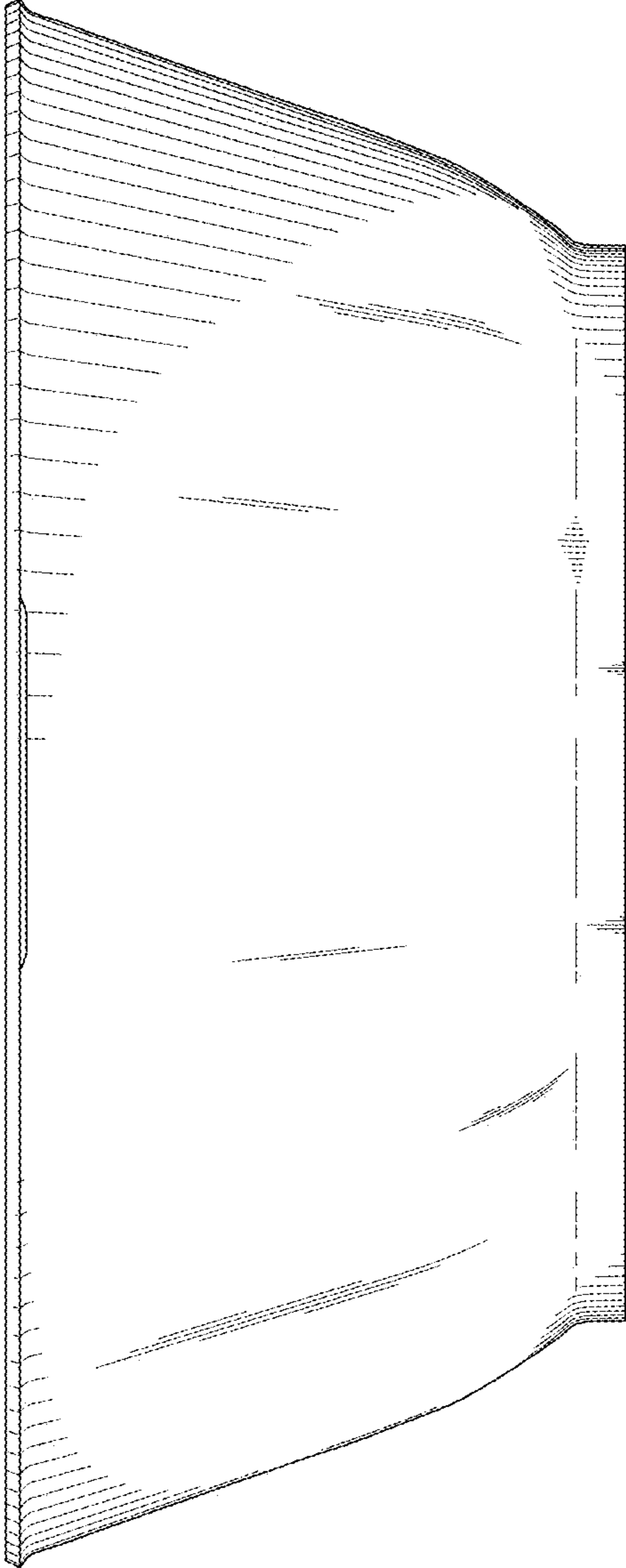




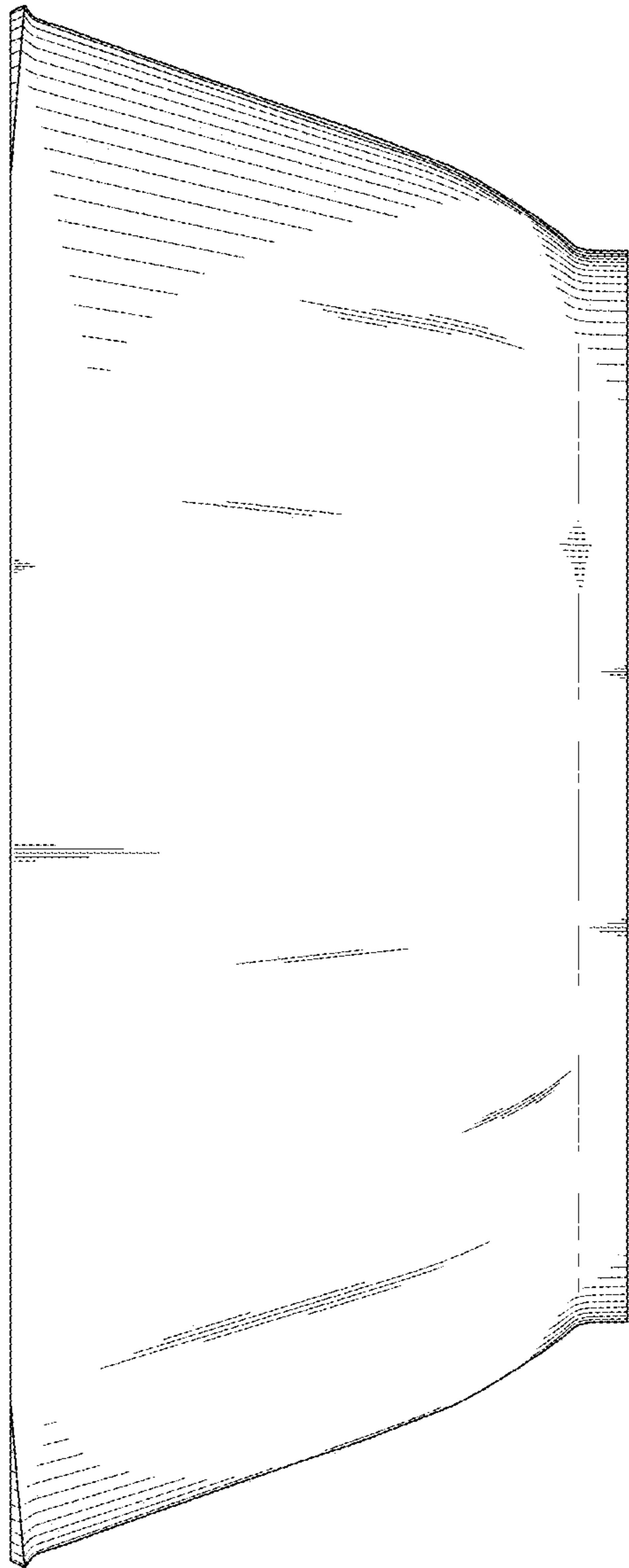
**FIG. 1**



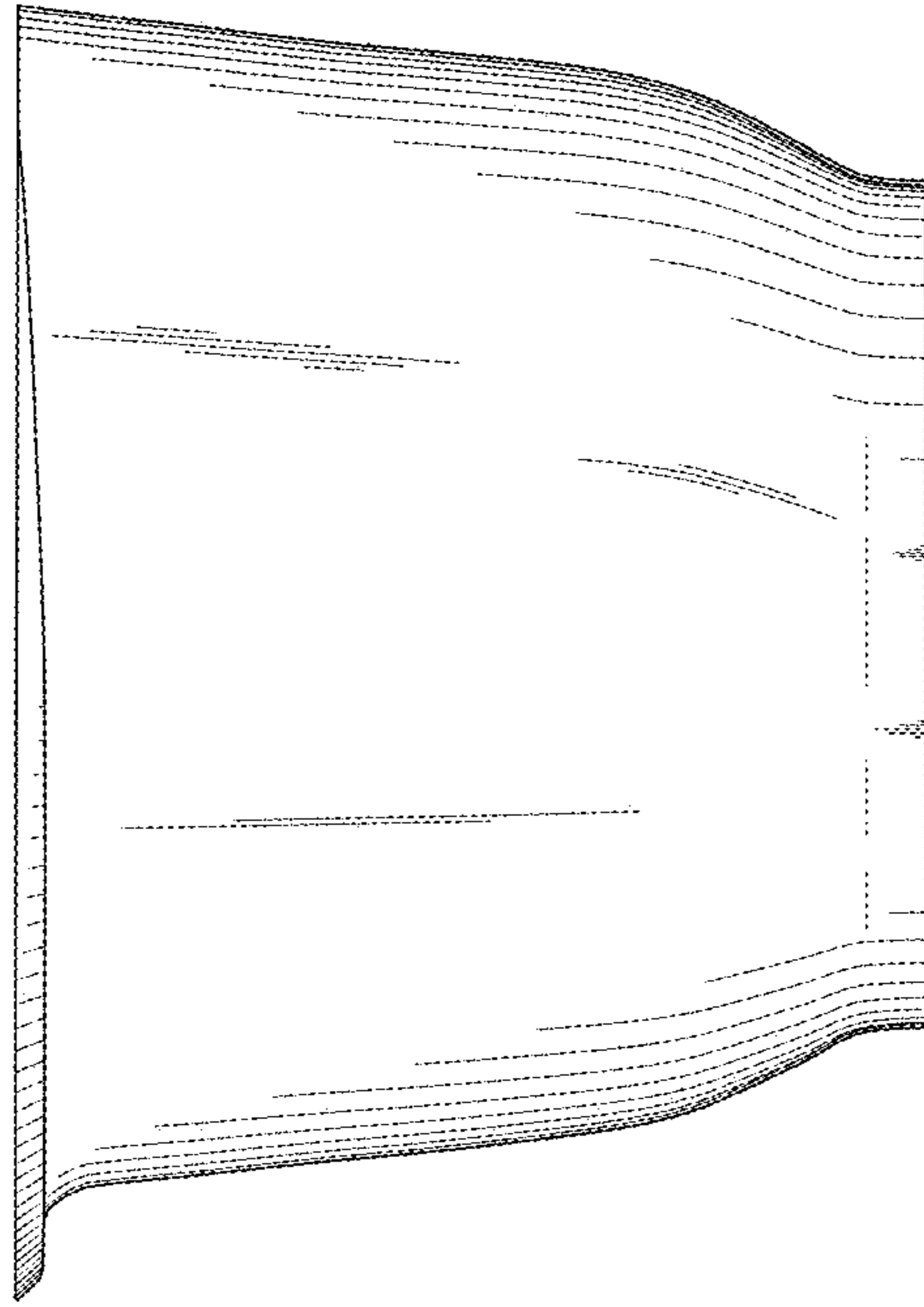
**FIG. 2**



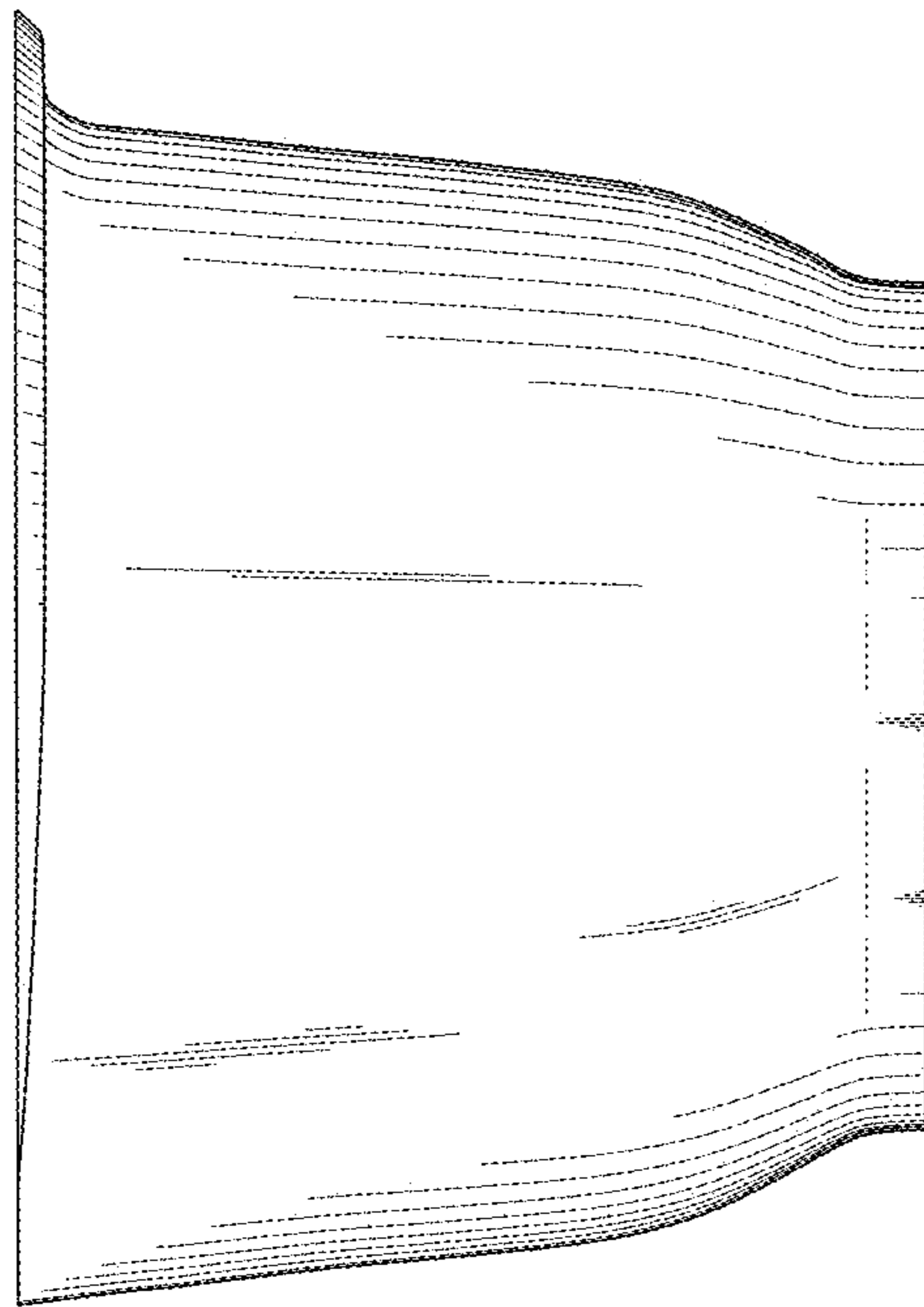
**FIG. 3**



**FIG. 4**

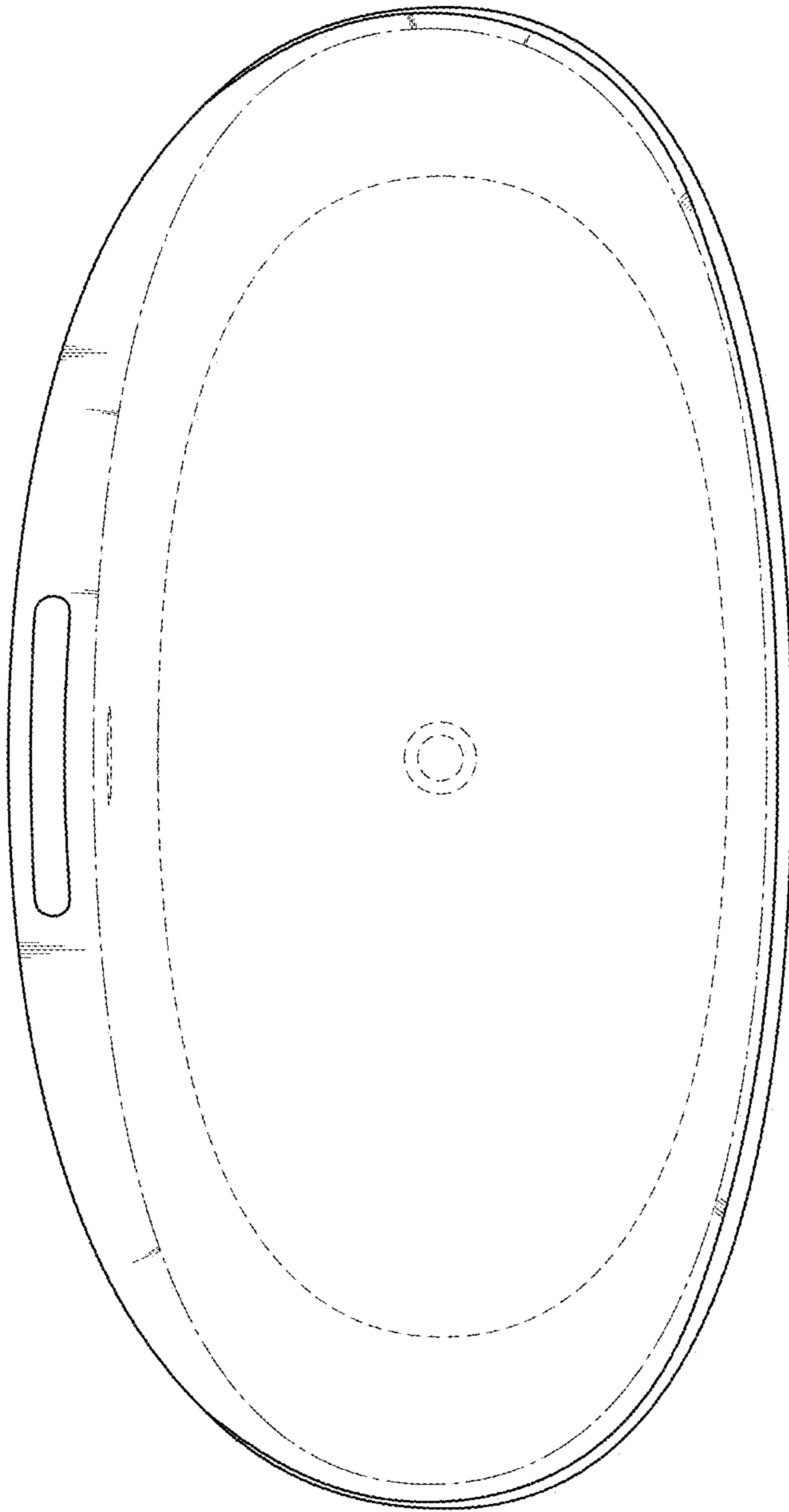


**FIG. 5**

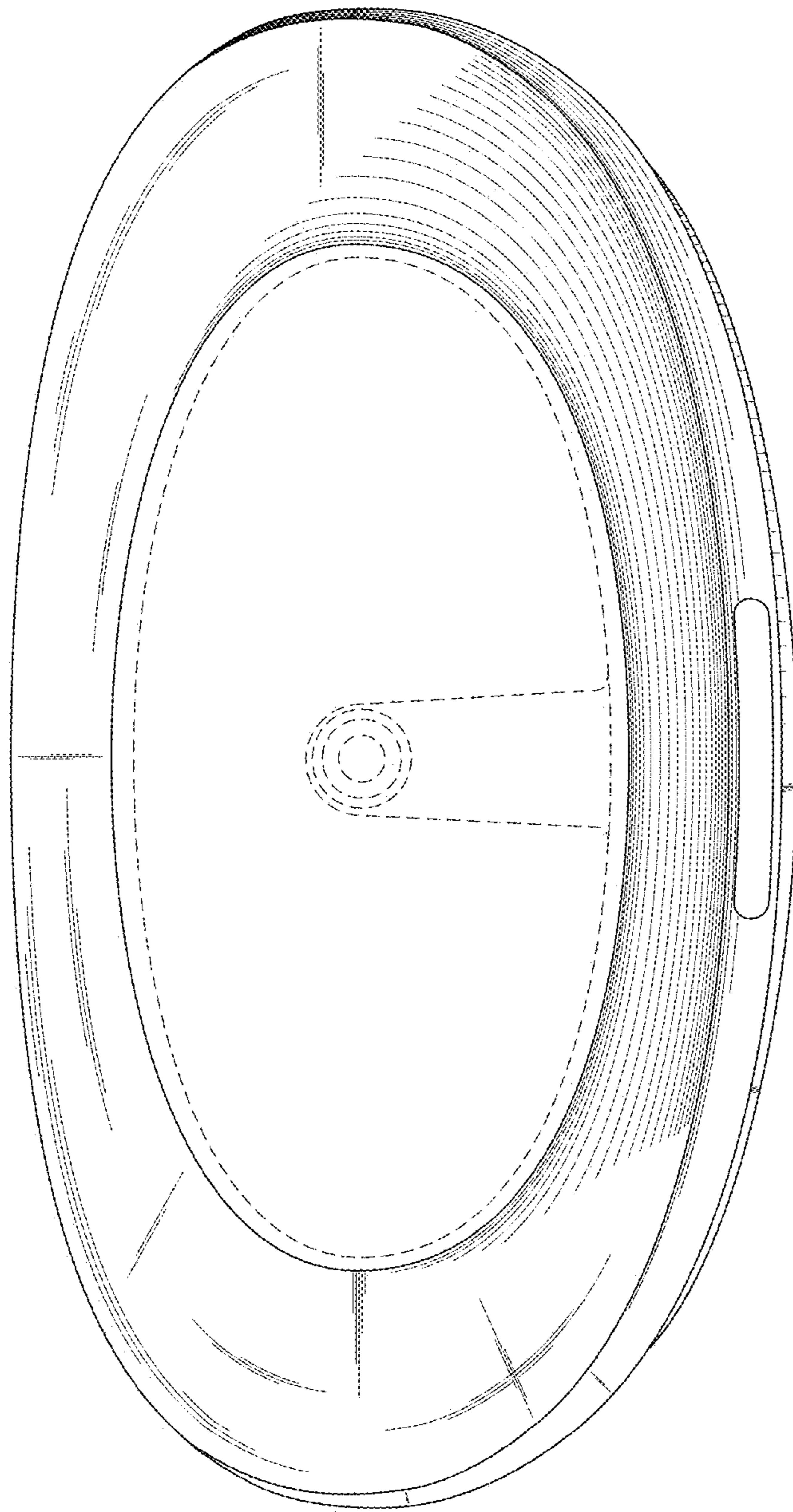


**FIG. 6**





**FIG. 7**



**FIG. 8**