



US00D904579S

(12) **United States Design Patent** (10) **Patent No.:** **US D904,579 S**  
**Parihar et al.** (45) **Date of Patent:** **\*\* Dec. 8, 2020**

(54) **ELBOW PIPE APPARATUS**  
(71) Applicant: **Transportation IP Holdings, LLC**,  
Norwalk, CT (US)  
(72) Inventors: **Ravindra Pratap Singh Parihar**,  
Bangalore (IN); **Krishnamurthy**  
**Vaidyanathan**, Bangalore (IN);  
**Prabhakaran Selvaraj**, Bangalore (IN);  
**Samir Vikas Joshi**, Bangalore (IN);  
**Sandeep Kanzal Venkatesha**,  
Bangalore (IN)

D574,303 S \* 8/2008 Unfried ..... D12/162  
D648,009 S \* 11/2011 Morishita ..... D23/266  
D664,906 S \* 8/2012 Lucas ..... D12/194  
D729,357 S \* 5/2015 Ball ..... E03C 1/22  
D23/263  
9,381,787 B2 \* 7/2016 Vignali ..... B60H 1/00564  
D824,341 S \* 7/2018 Garver ..... D13/153  
D829,623 S \* 10/2018 Anderson ..... D12/194  
D841,546 S \* 2/2019 Holman ..... D12/194  
D859,471 S \* 9/2019 Chikmangalore Manjunath .....  
D15/5

(73) Assignee: **TRANSPORTATION IP HOLDINGS, LLC**,  
Norwalk, CT (US)

(\*\*) Term: **15 Years**

(21) Appl. No.: **29/700,906**

(22) Filed: **Aug. 6, 2019**

(51) **LOC (12) Cl.** ..... **23-01**

(52) **U.S. Cl.**  
USPC ..... **D23/263; D12/194**

(58) **Field of Classification Search**  
USPC ..... D23/259, 262-266, 268; 285/179, 179.1,  
285/183, 124.1, 120.1, 148.14, 148.19,  
285/148.21, 345, 388, 390, 377, 148.2,  
285/328, 921; D12/194  
CPC ... F16L 21/00; F16L 9/16; F16L 59/11; F16L  
43/002  
See application file for complete search history.

(56) **References Cited**

**U.S. PATENT DOCUMENTS**

2,533,720 A \* 12/1950 Danel ..... F16L 41/023  
285/132.1  
4,091,982 A \* 5/1978 Carberry ..... E02B 17/0004  
228/173.4  
D260,421 S \* 8/1981 Conger, IV ..... D23/263  
D573,923 S \* 7/2008 Unfried ..... D12/162

**OTHER PUBLICATIONS**

Parihar, R. et al., "An Ornamental Design For a Support Bracket,"  
U.S. Appl. No. 29/700,903, filed Aug. 6, 2019, 10 pages.  
Parihar, R. et al., "An Ornamental Design For an Elbow Pipe  
Apparatus," U.S. Appl. No. 29/700,908, filed Aug. 6, 2019, 11  
pages.

\* cited by examiner

*Primary Examiner* — Amy C Wierenga

(74) *Attorney, Agent, or Firm* — McCoy Russell LLP

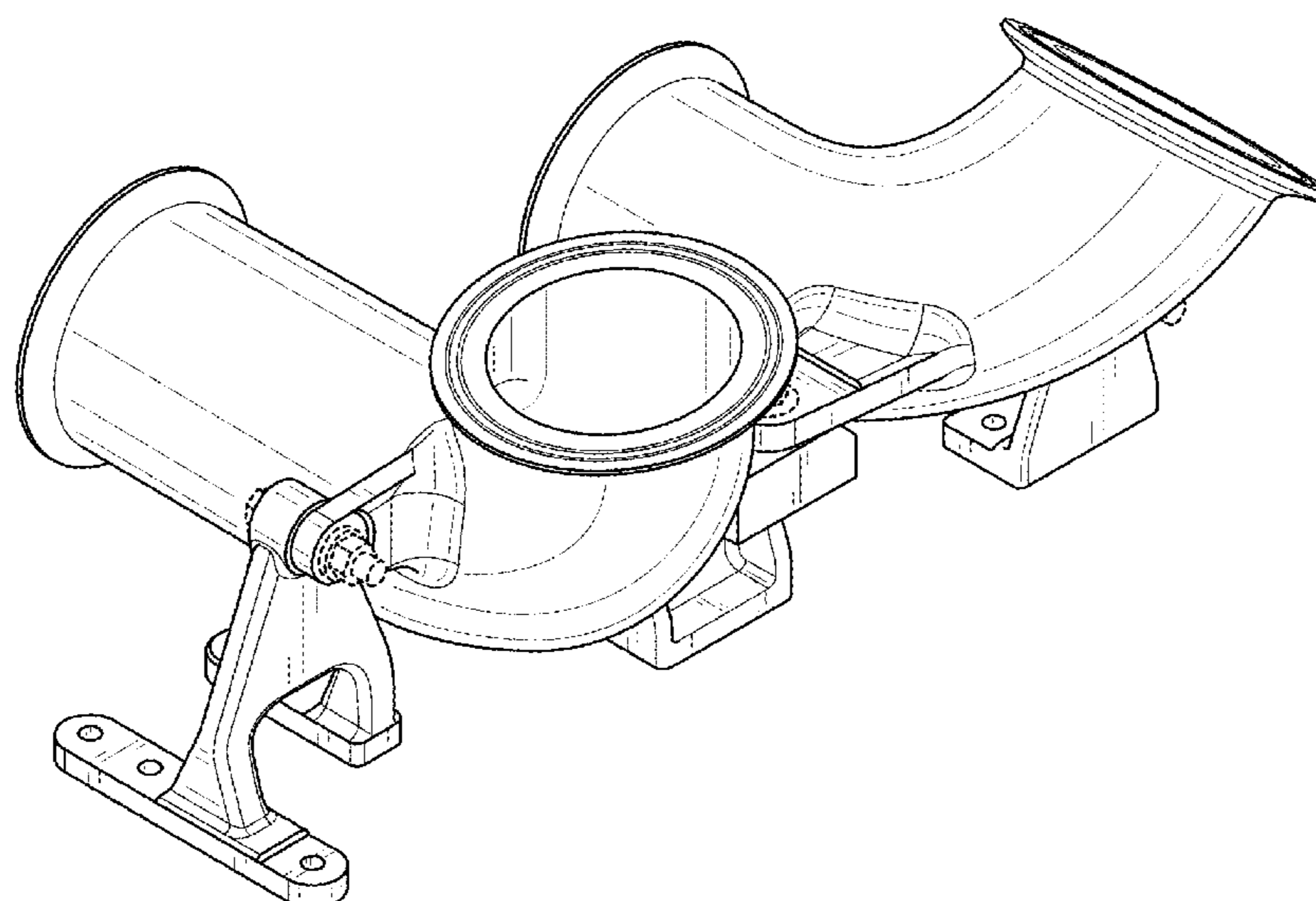
(57) **CLAIM**

The ornamental design for an elbow pipe apparatus, as  
shown and described.

**DESCRIPTION**

FIG. 1 is a rear-left perspective view of an elbow pipe  
apparatus according to the present invention.  
FIG. 2 is a front view of the elbow pipe apparatus.  
FIG. 3 is a rear view of the elbow pipe apparatus.  
FIG. 4 is a left side view of the elbow pipe apparatus.  
FIG. 5 is a right side view of the elbow pipe apparatus.  
FIG. 6 is a top view of the elbow pipe apparatus; and,  
FIG. 7 is a bottom view of the elbow pipe apparatus.  
The broken lines in the figures illustrate portions of the  
elbow pipe apparatus that form no part of the claimed  
design.

**1 Claim, 7 Drawing Sheets**



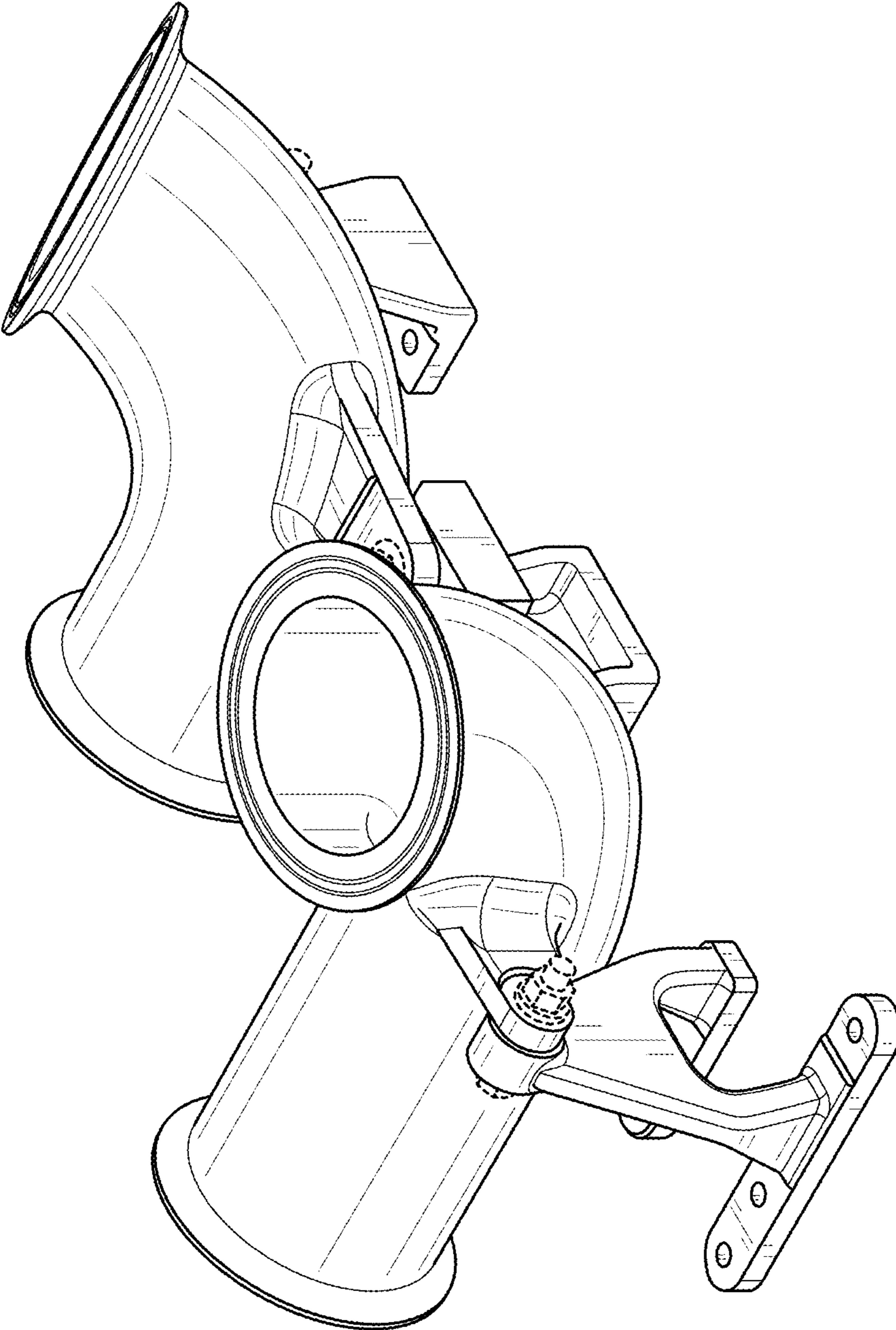


FIG. 1

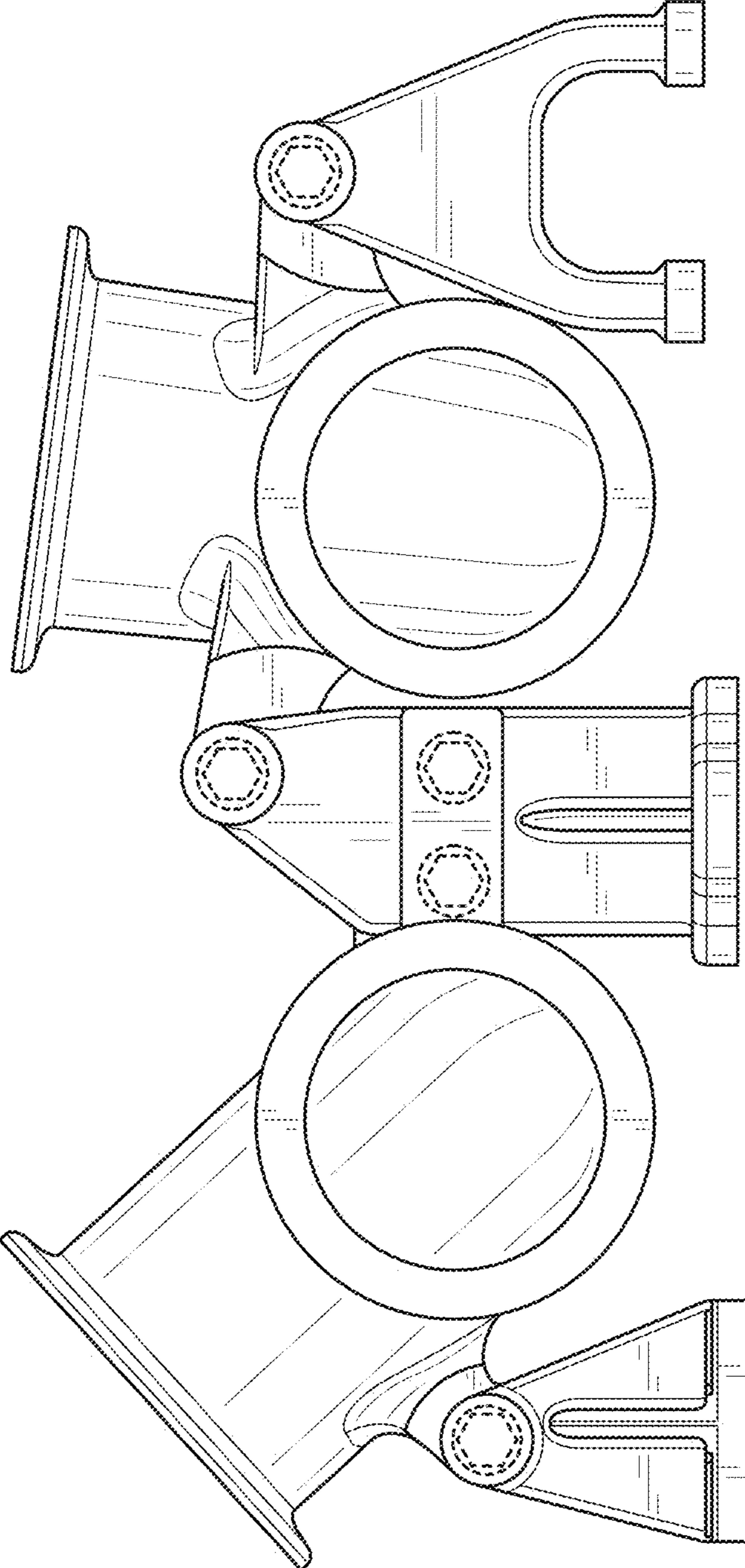


FIG. 2

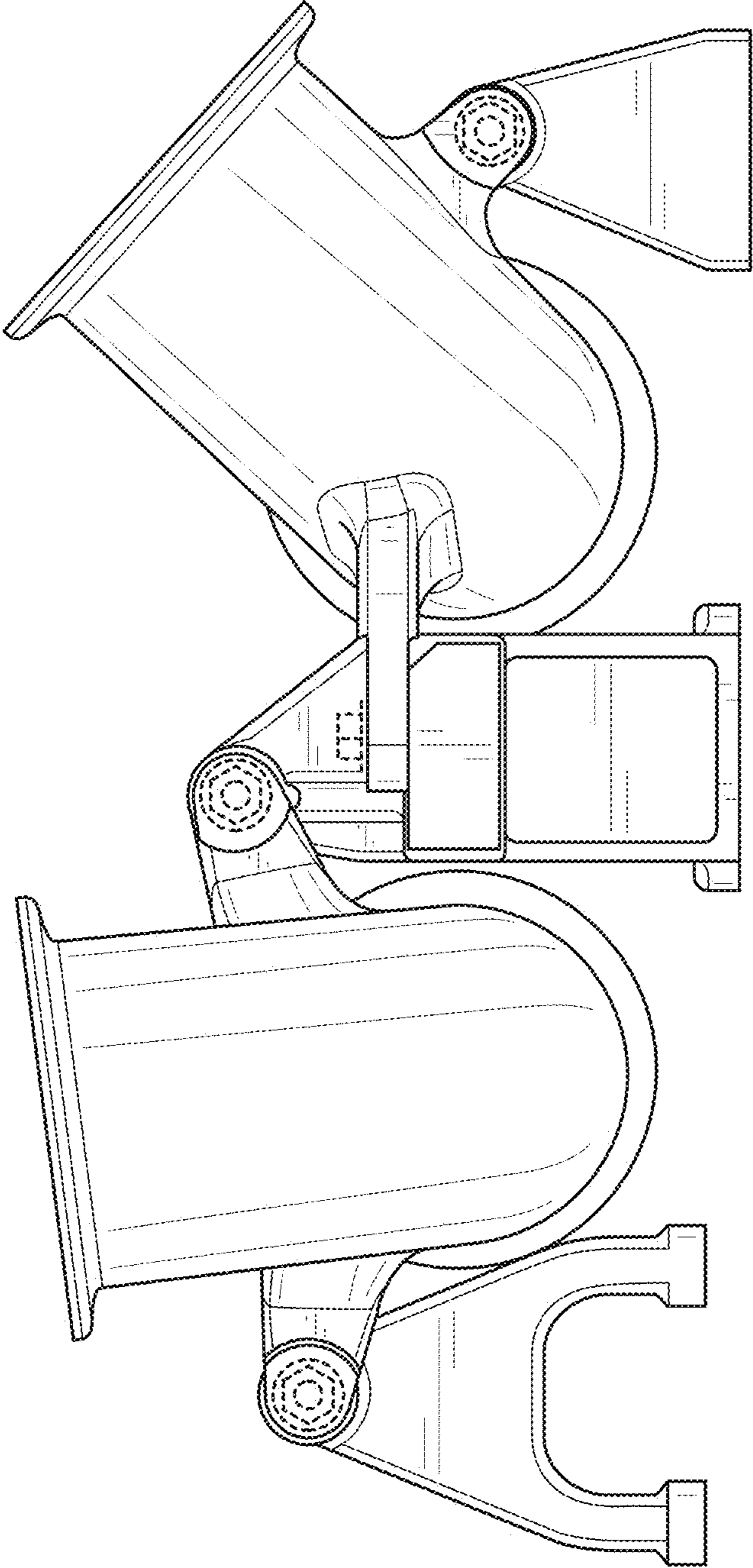


FIG. 3

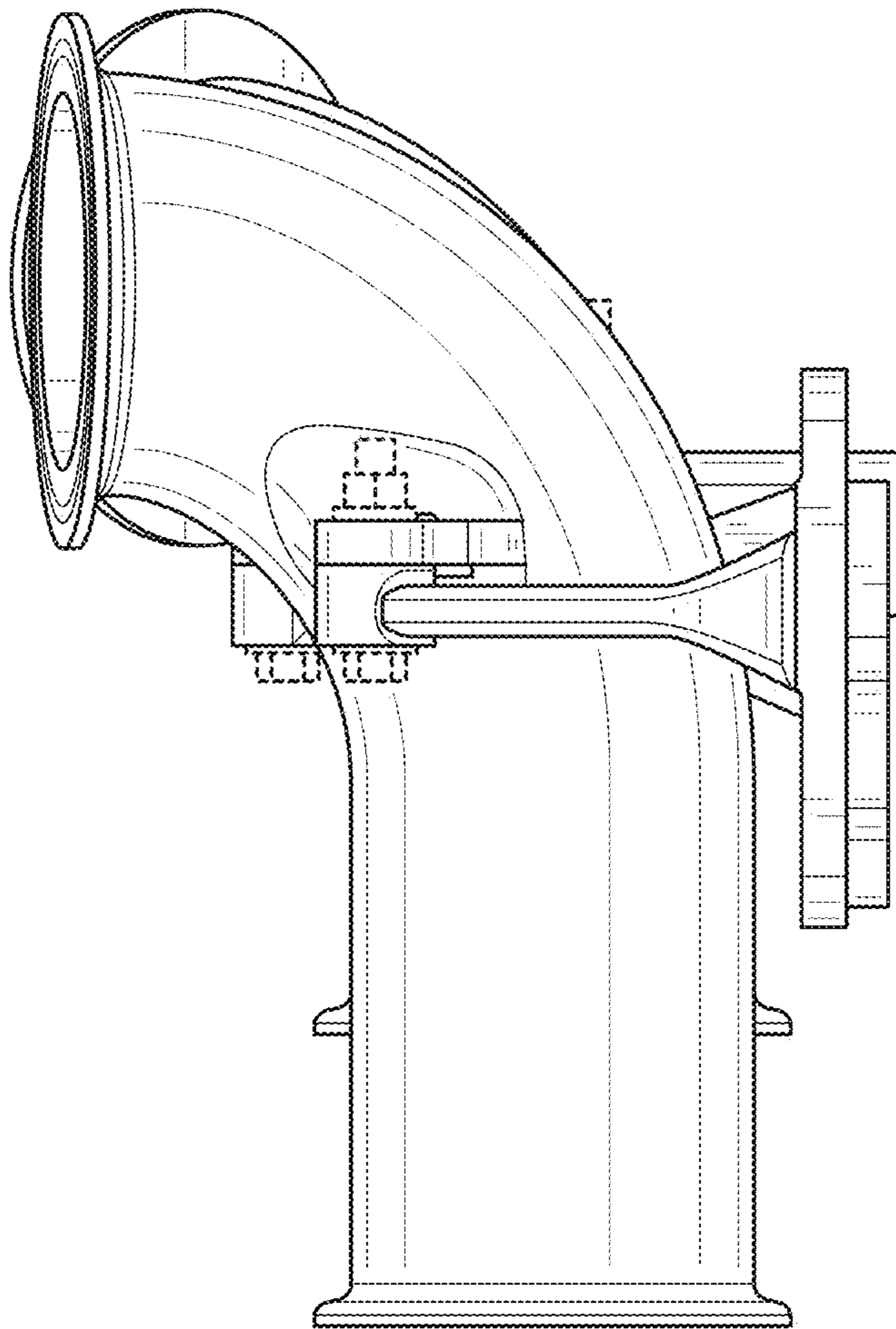


FIG. 4

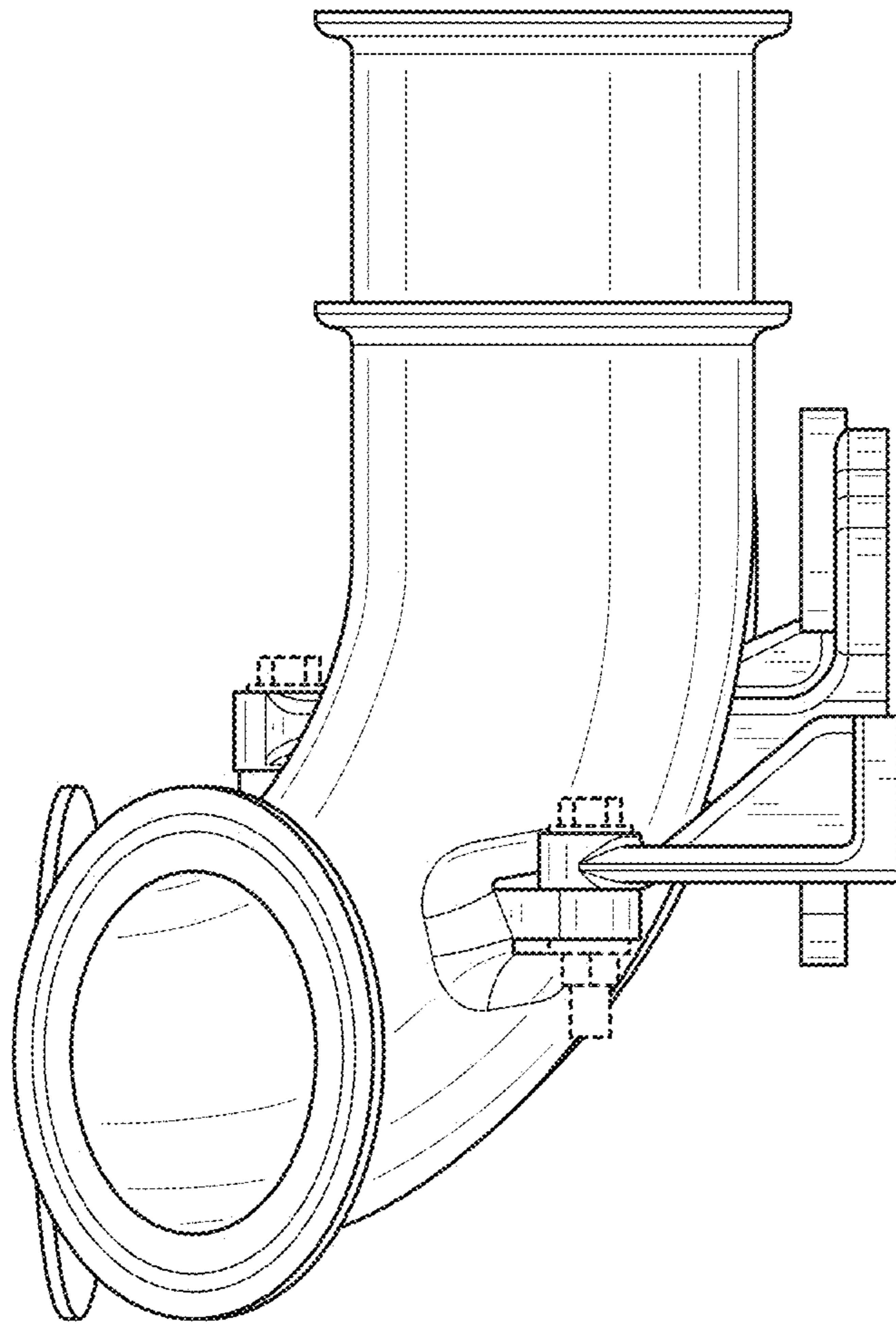


FIG. 5

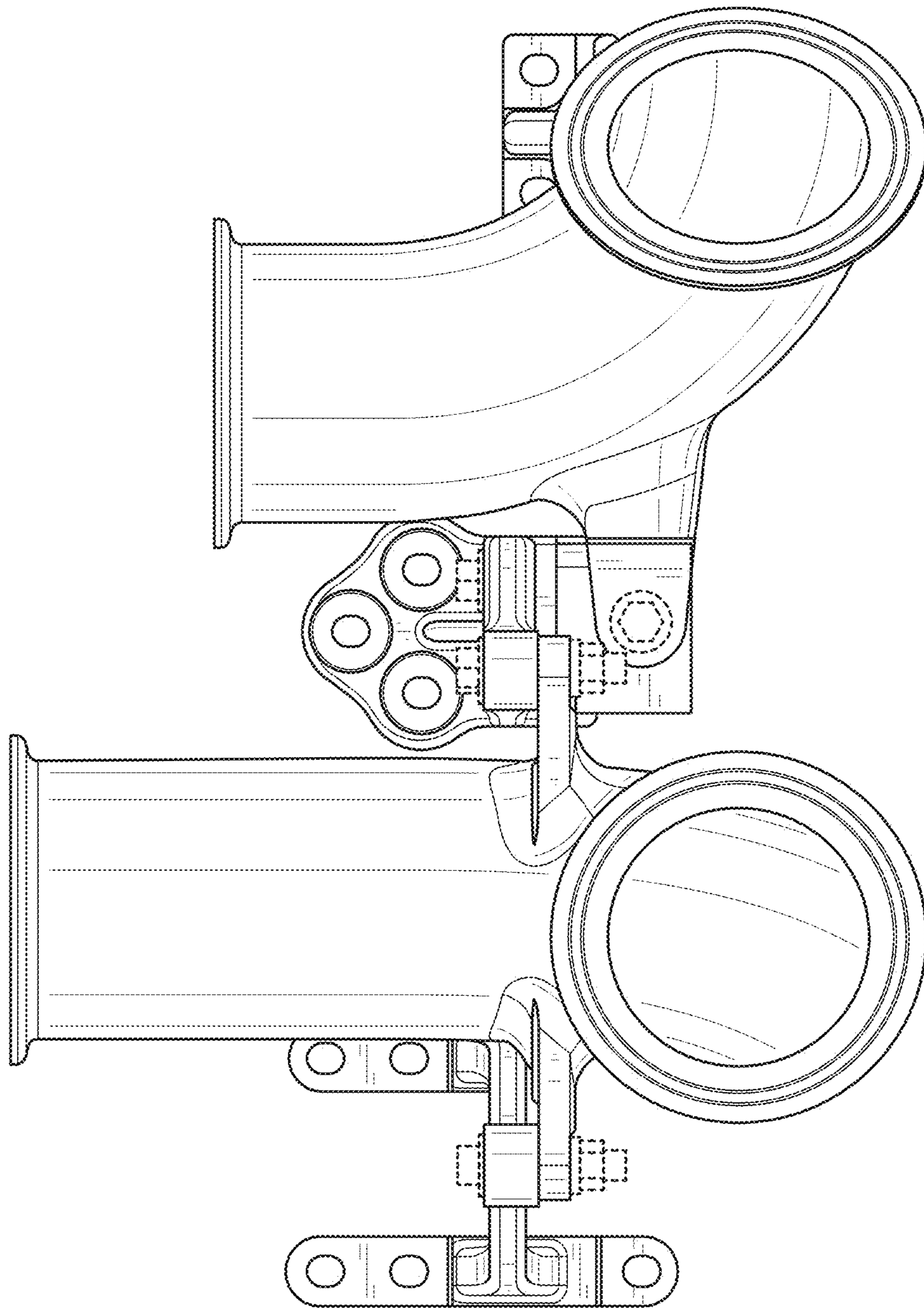


FIG. 6

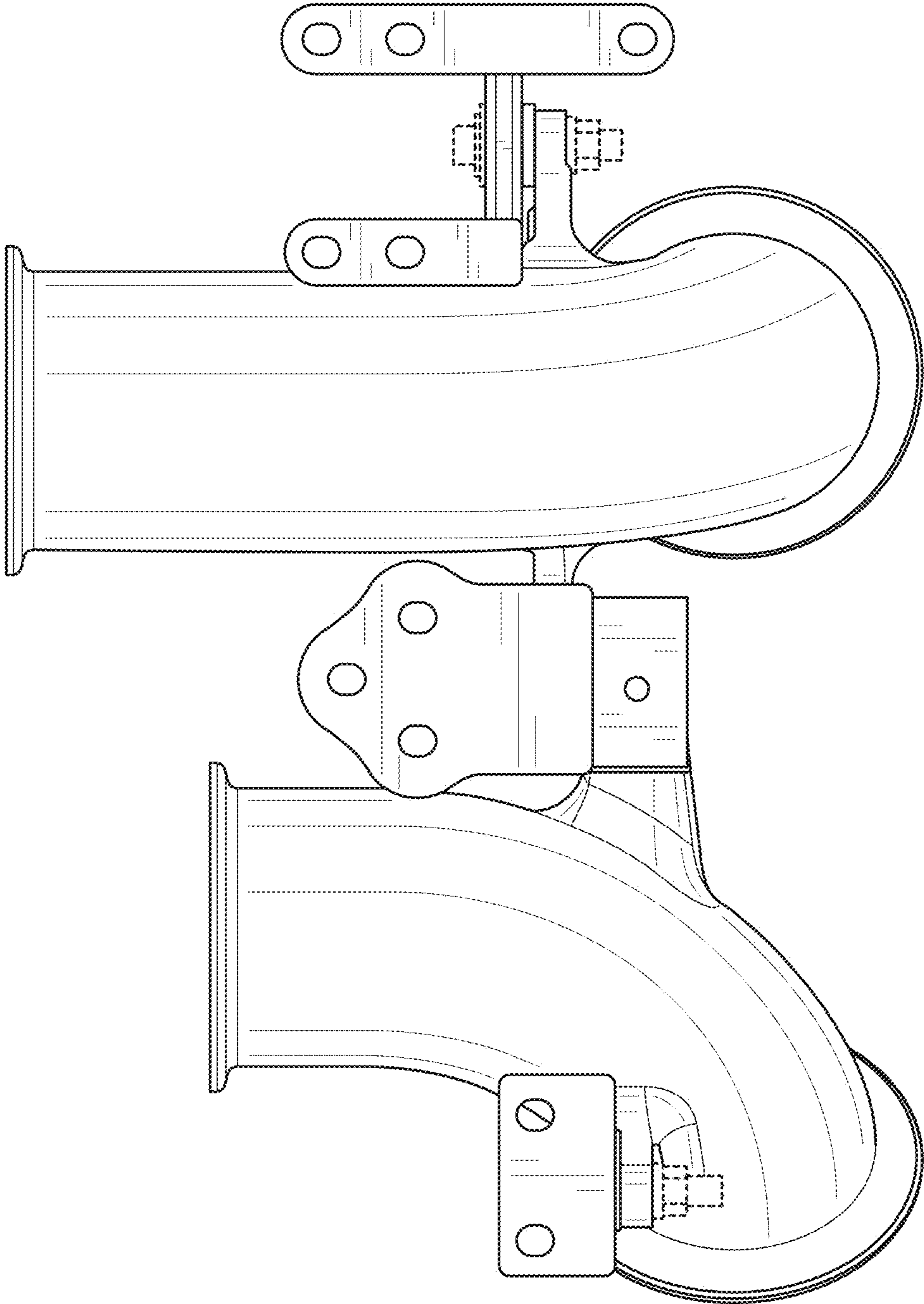


FIG. 7