



US00D904576S

(12) **United States Design Patent**
Levi

(10) **Patent No.:** **US D904,576 S**
(45) **Date of Patent:** **** Dec. 8, 2020**

(54) **FAUCET**

(71) Applicant: **ICG Licensing LLC**, Port Washington, NY (US)

(72) Inventor: **Russell Levi**, Port Washington, NY (US)

(73) Assignee: **ICG Licensing LLC**, Port Washington, NY (US)

(**) Term: **15 Years**

(21) Appl. No.: **29/734,642**

(22) Filed: **May 14, 2020**

Related U.S. Application Data

(63) Continuation of application No. 29/692,173, filed on May 23, 2019, now Pat. No. Des. 890,887, which is a continuation of application No. 29/635,946, filed on Feb. 5, 2018, now Pat. No. Des. 857,844.

(51) **LOC (12) Cl.** **23-01**

(52) **U.S. Cl.**
USPC **D23/255**

(58) **Field of Classification Search**
USPC D23/238, 249, 255, 257
CPC E03C 1/0412
See application file for complete search history.

(56) **References Cited**

U.S. PATENT DOCUMENTS

D479,309 S 9/2003 Haug et al.
D520,114 S 5/2006 Starck

D534,620 S *	1/2007	Zhou	D23/238
D534,990 S *	1/2007	Zhou	D23/238
D557,380 S *	12/2007	Shieh	D23/238
D576,255 S	9/2008	Nobili	
D605,260 S	12/2009	Allard	
8,413,686 B2	4/2013	Ko	
D735,298 S	7/2015	Eads	
D802,720 S *	11/2017	Haug	D23/238
D810,883 S *	2/2018	Bahler	D23/249
D861,832 S *	10/2019	Zeng	D23/238
D862,647 S *	10/2019	Zeng	D23/238
D862,648 S *	10/2019	Zeng	D23/238
D863,506 S *	10/2019	Hayner	D23/238

* cited by examiner

Primary Examiner — Robert A Delehanty

(74) *Attorney, Agent, or Firm* — Carter, Deluca & Farrell LLP

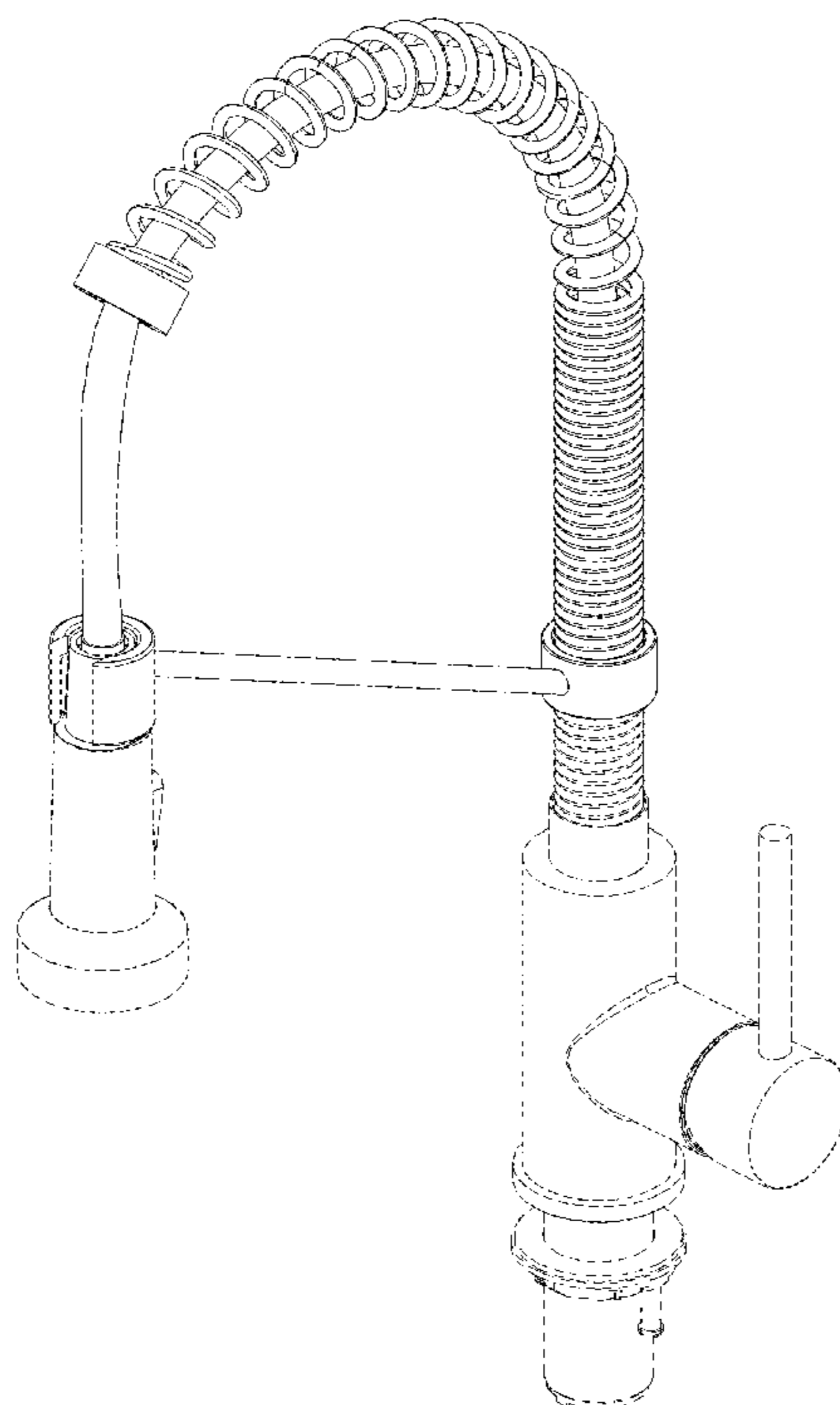
(57) **CLAIM**

The ornamental design for a faucet, as shown and described.

DESCRIPTION

FIG. 1 is a front perspective view of a faucet in accordance with the present design;
FIG. 2 is a front elevational view thereof;
FIG. 3 is a rear elevational view thereof;
FIG. 4 is a right side elevational view thereof;
FIG. 5 is a left side elevational thereof;
FIG. 6 is a top plan view thereof; and,
FIG. 7 is a bottom plan view thereof.
The broken lines shown are included for the purpose of illustrating a portion of the faucet that form no part of the claimed design.

1 Claim, 7 Drawing Sheets



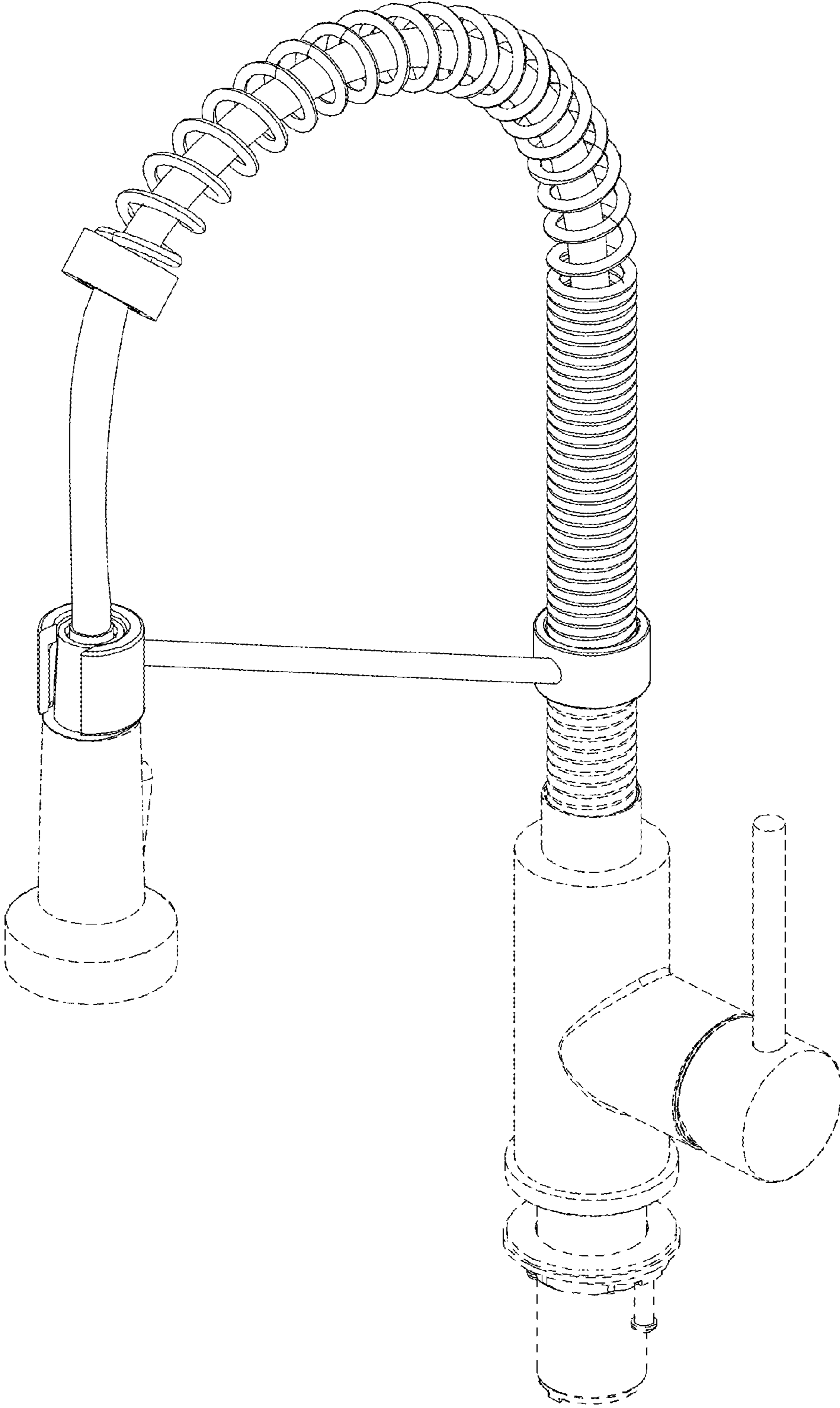


FIG. 1

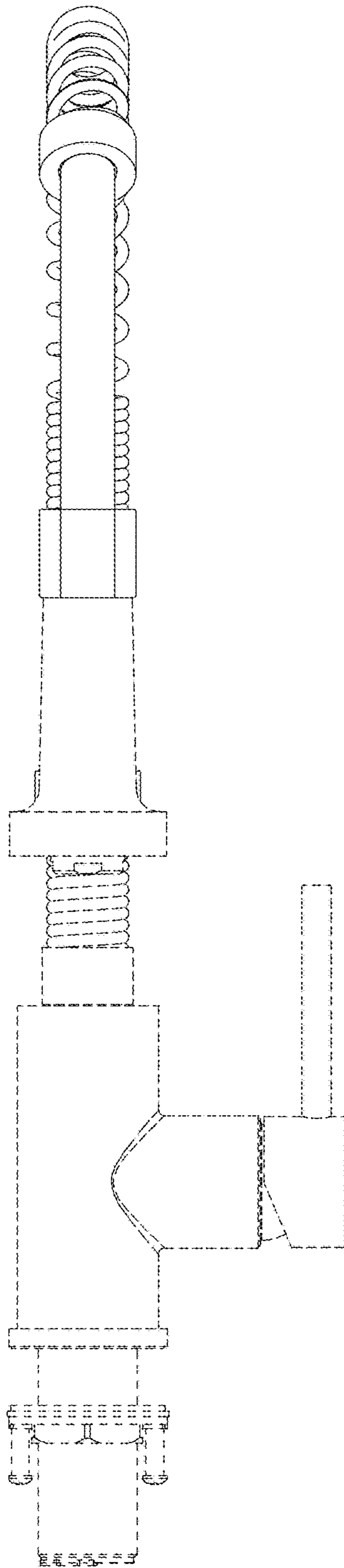


FIG. 2

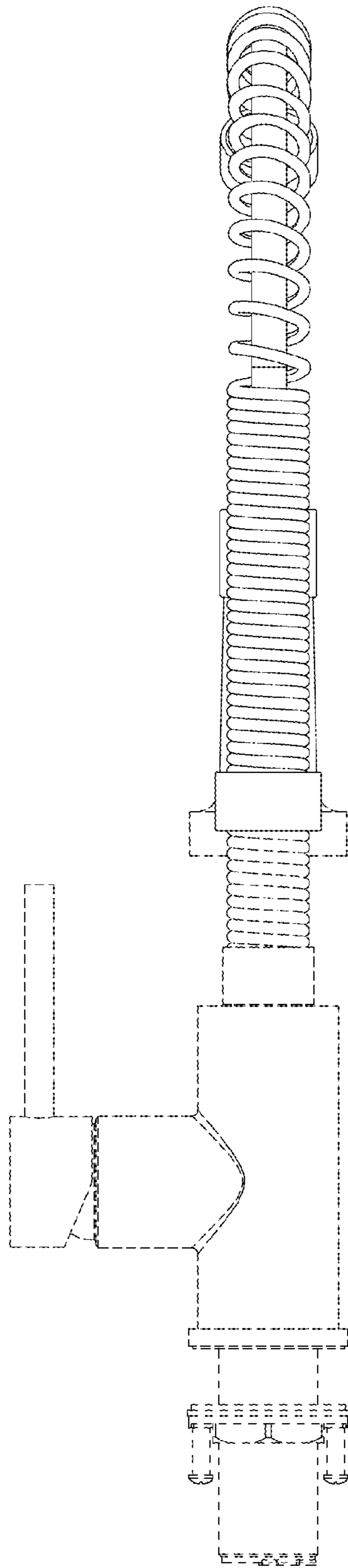


FIG. 3

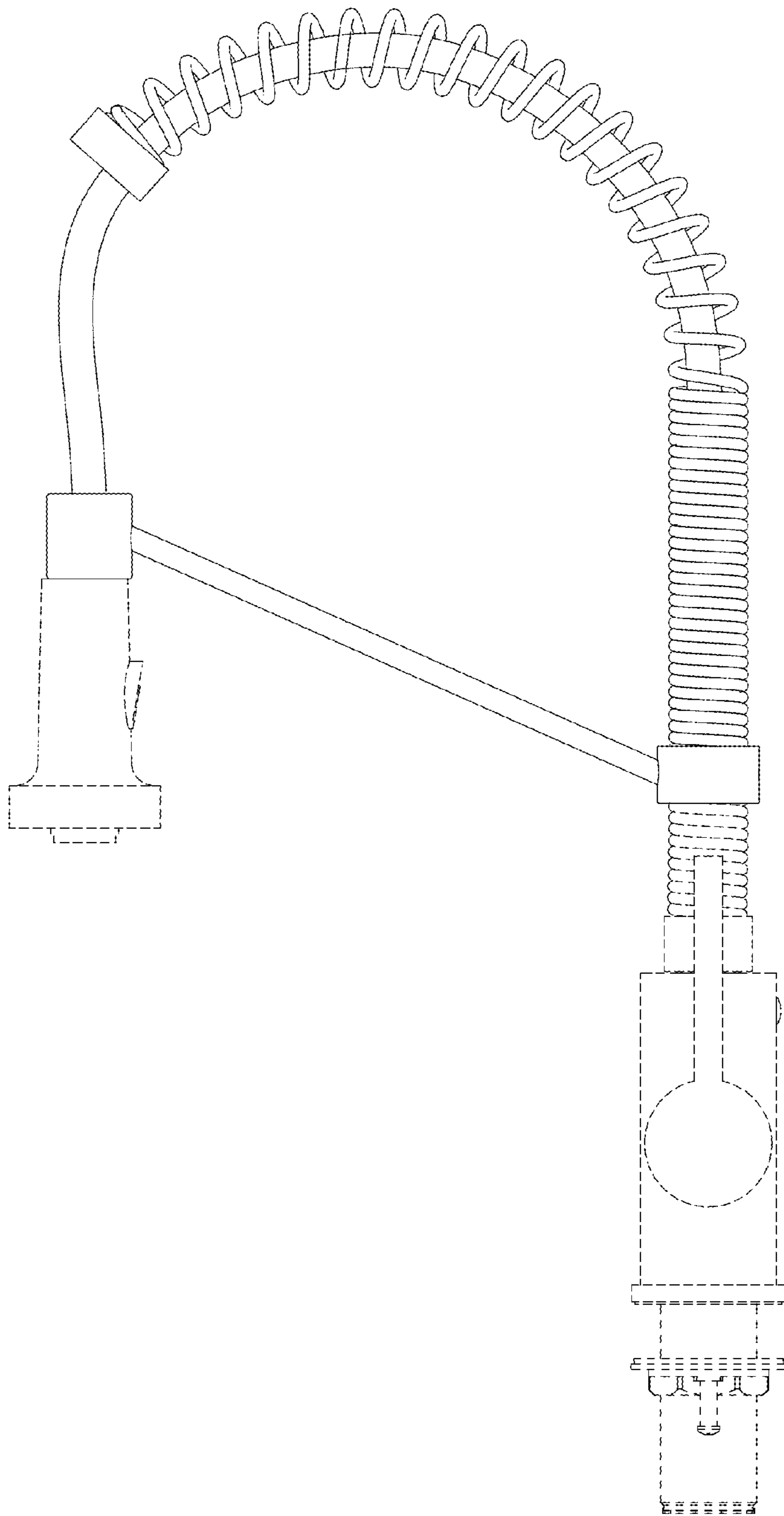


FIG. 4

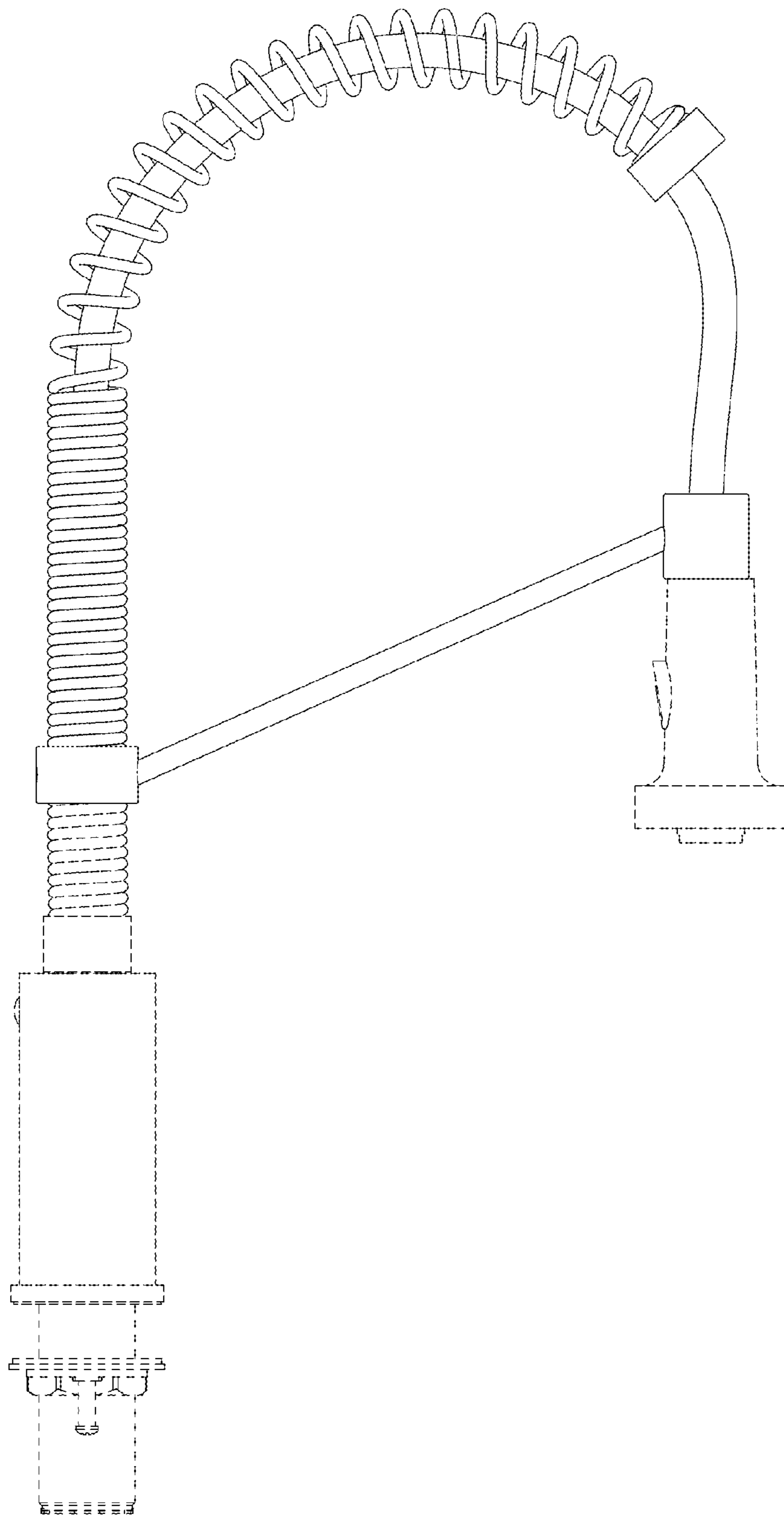


FIG. 5

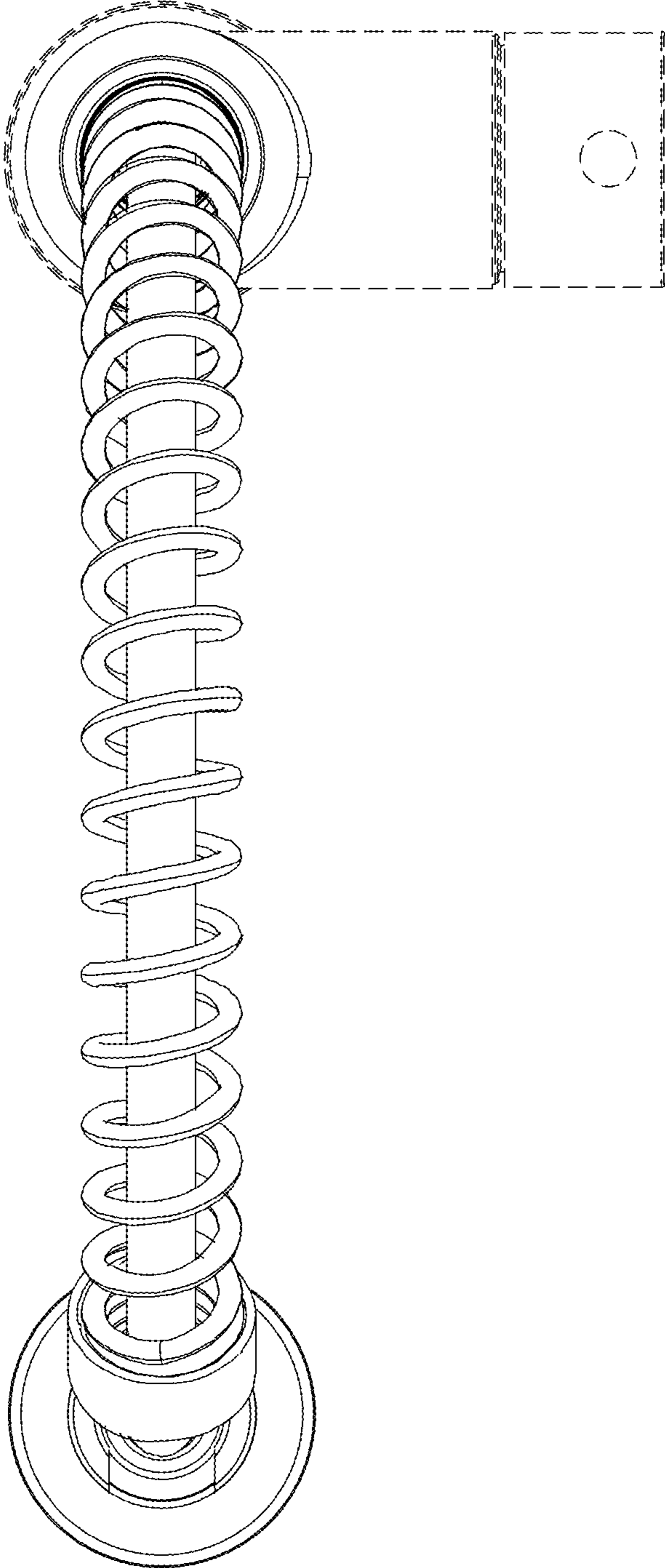


FIG. 6

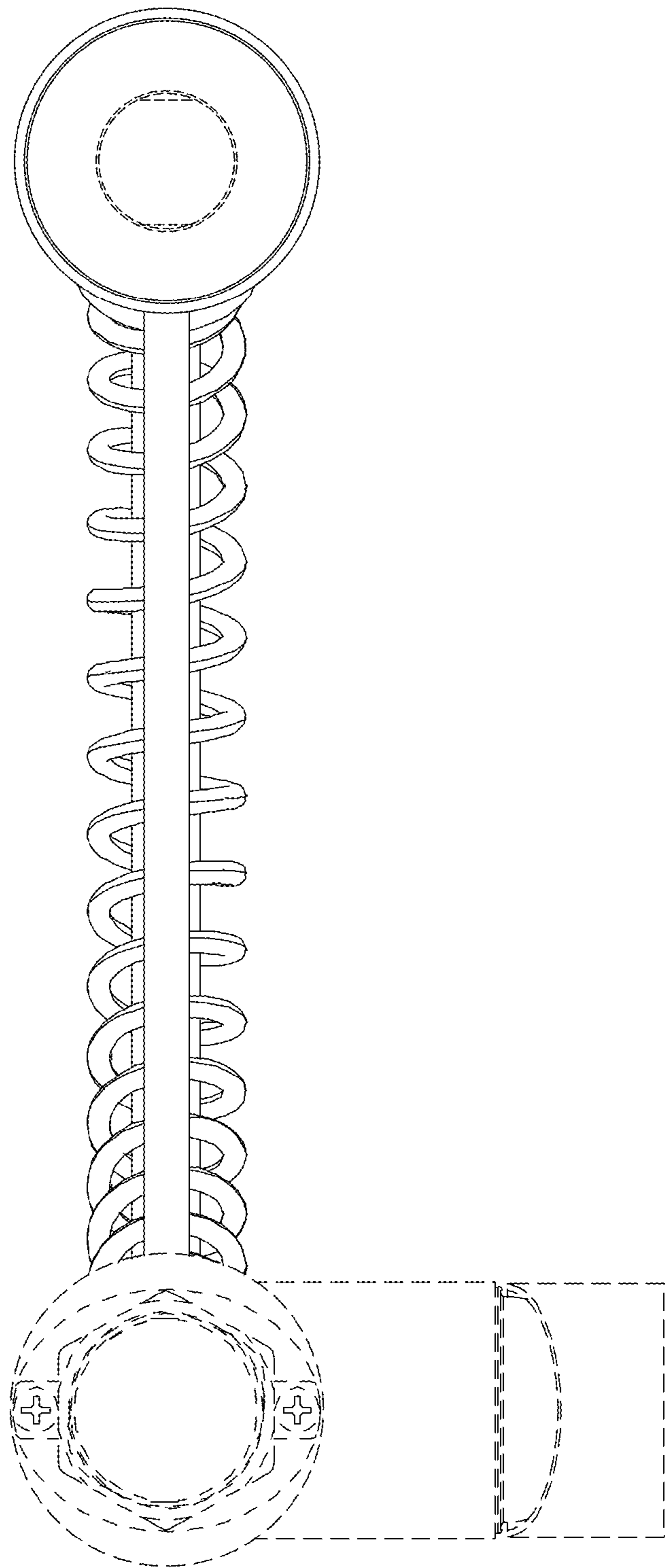


FIG. 7