



US00D904575S

(12) **United States Design Patent**
Garland

(10) **Patent No.:** **US D904,575 S**

(45) **Date of Patent:** **** Dec. 8, 2020**

(54) **VALVE**

(71) Applicant: **DELTA FAUCET COMPANY,**
Indianapolis, IN (US)

(72) Inventor: **Celine Kwok Garland,** Zionsville, IN
(US)

(73) Assignee: **DELTA FAUCET COMPANY,**
Indianapolis, IN (US)

(**) Term: **15 Years**

(21) Appl. No.: **29/687,250**

(22) Filed: **Apr. 11, 2019**

(51) **LOC (12) Cl.** **23-01**

(52) **U.S. Cl.**
USPC **D23/254**

(58) **Field of Classification Search**
USPC D23/252, 254, 238-243; D8/307-308,
D8/352
CPC E03C 1/0408; E03C 1/09; E03C 1/042;
E03C 1/0412
See application file for complete search history.

(56) **References Cited**

U.S. PATENT DOCUMENTS

D531,265 S * 10/2006 Tsai D23/250
D531,276 S * 10/2006 Tsai D23/254

D828,508 S * 9/2018 Fritz D23/238
D839,996 S * 2/2019 Garland D23/252
D868,944 S * 12/2019 Garland D23/252
D873,381 S * 1/2020 Eads D23/252
2012/0145258 A1* 6/2012 Yang E03C 1/042
137/359
2020/0088317 A1* 3/2020 Bai F16K 31/602

* cited by examiner

Primary Examiner — Robert A Delehanty

(74) *Attorney, Agent, or Firm* — Nirav D. Parikh; Edgar
A. Zarins

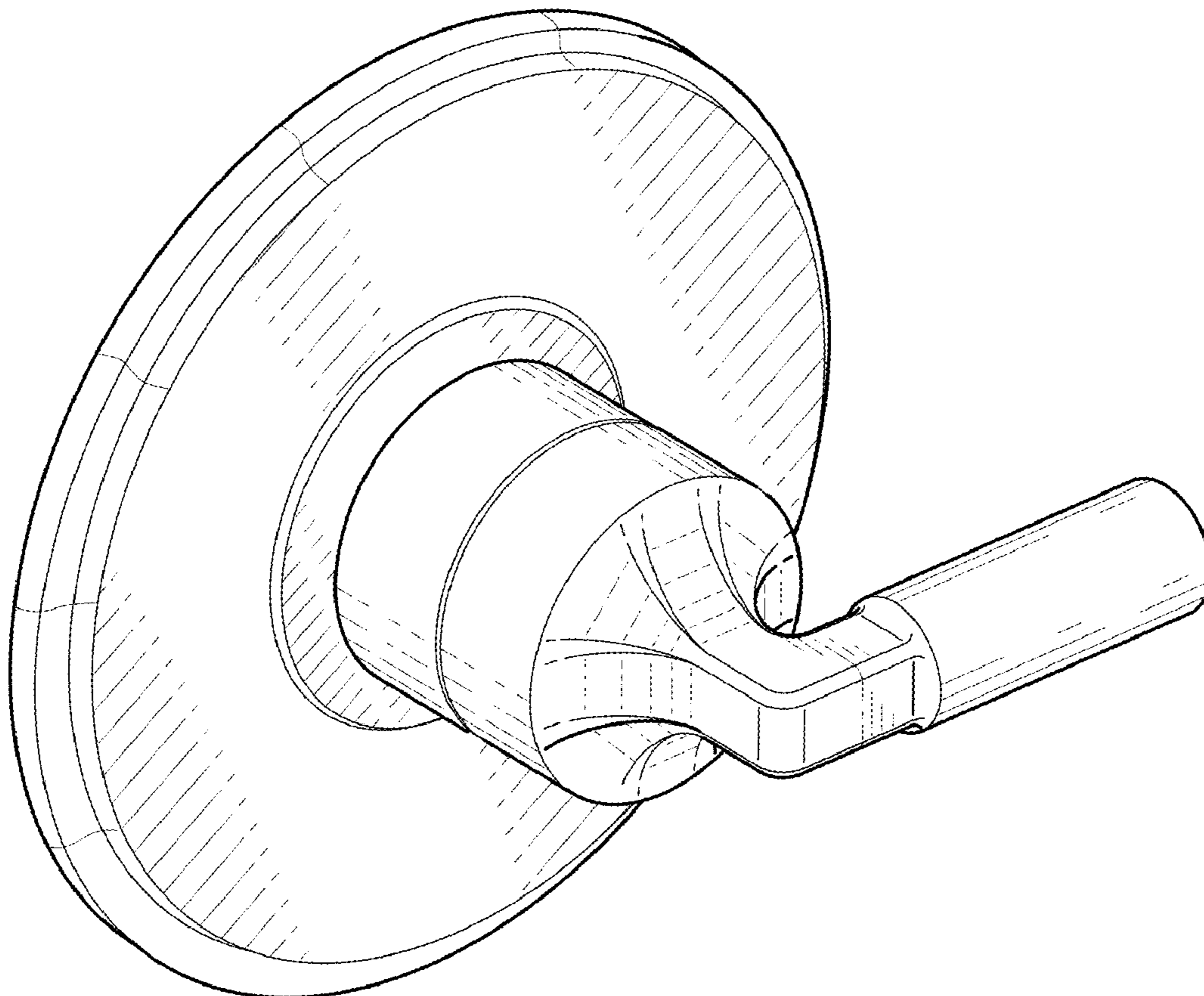
(57) **CLAIM**

The ornamental design for a valve, as shown and described.

DESCRIPTION

FIG. 1 is a first perspective view of a valve showing my new design;
FIG. 2 is a front elevational view thereof;
FIG. 3 is a rear view thereof;
FIG. 4 is a bottom side view thereof, the opposite side being a mirror image of the side shown;
FIG. 5 is a first side view thereof; and,
FIG. 6 is a second side view thereof.
The broken-line disclosure in the view represents a portion of the valve in which the claimed design is embodied, but which forms no part of the claimed design.

1 Claim, 3 Drawing Sheets



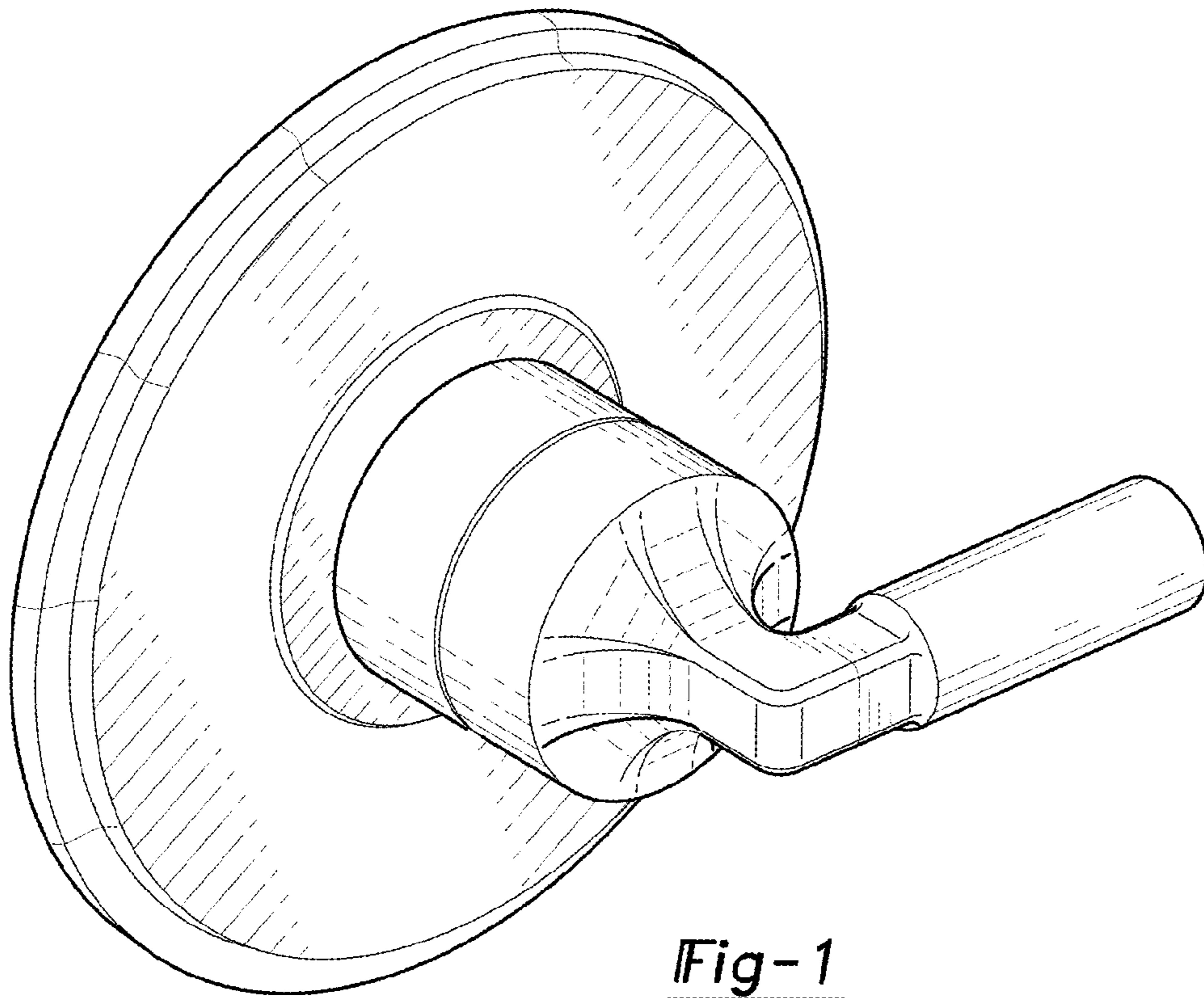


Fig-1

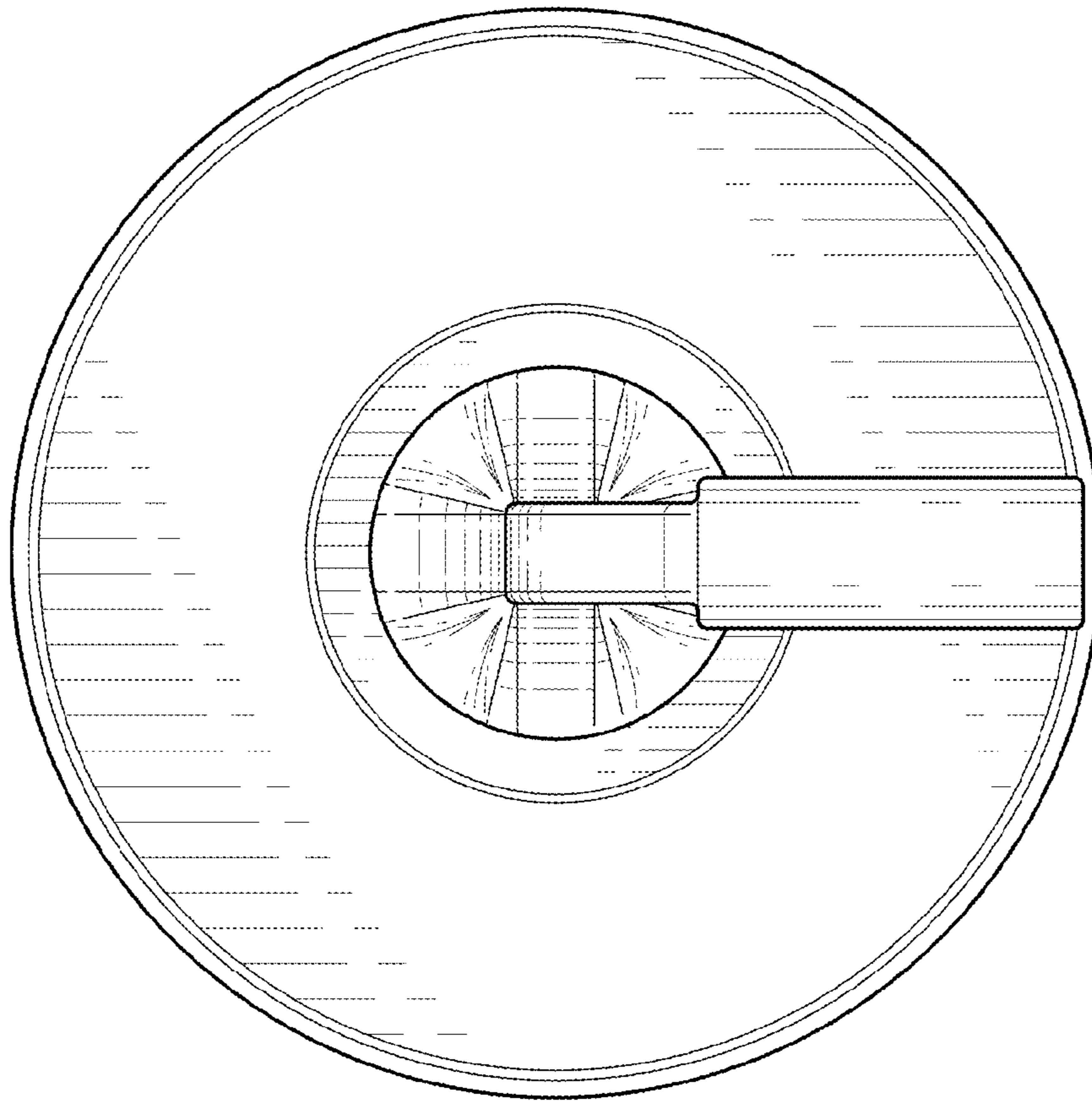


Fig-2

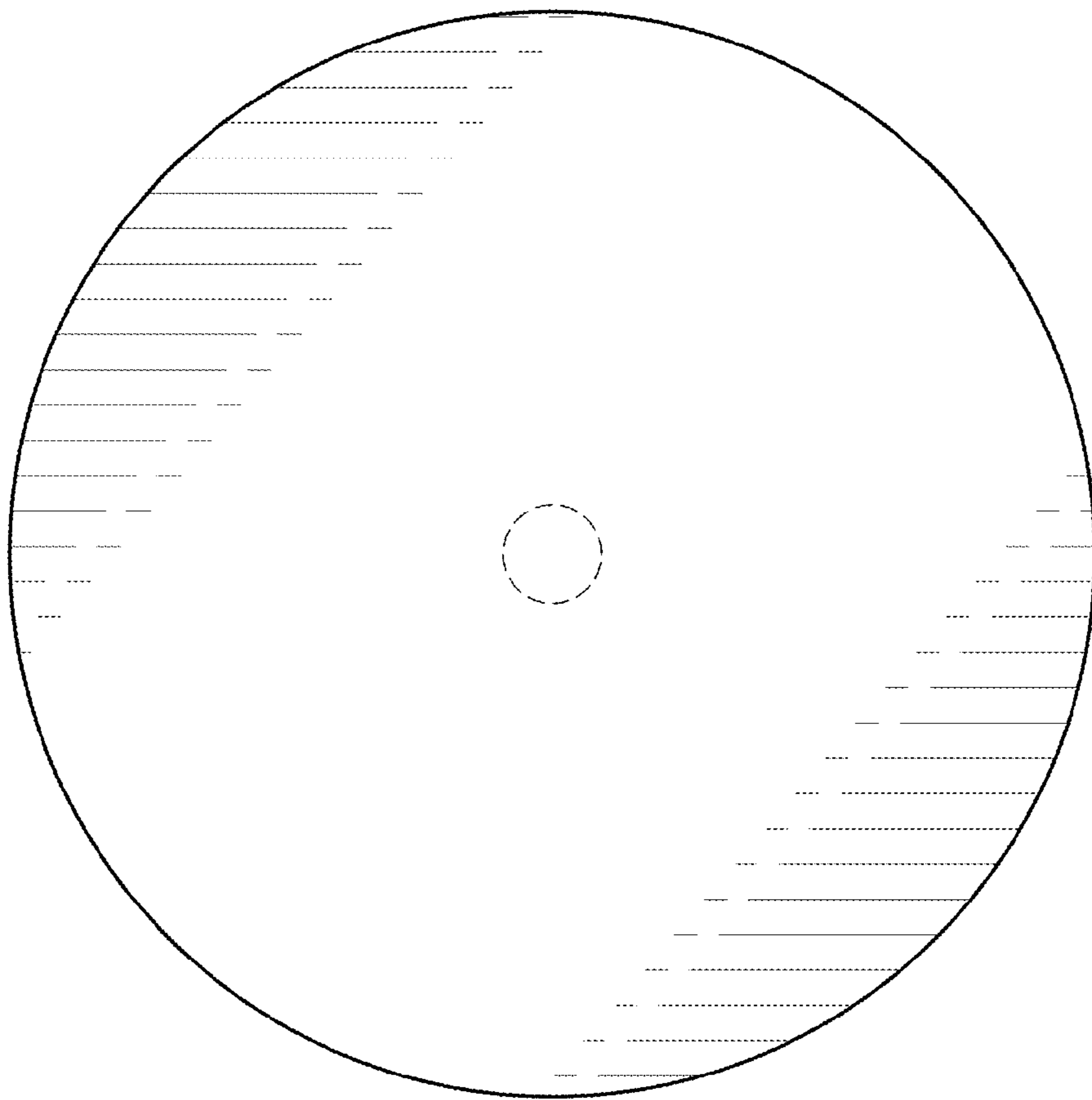


Fig-3

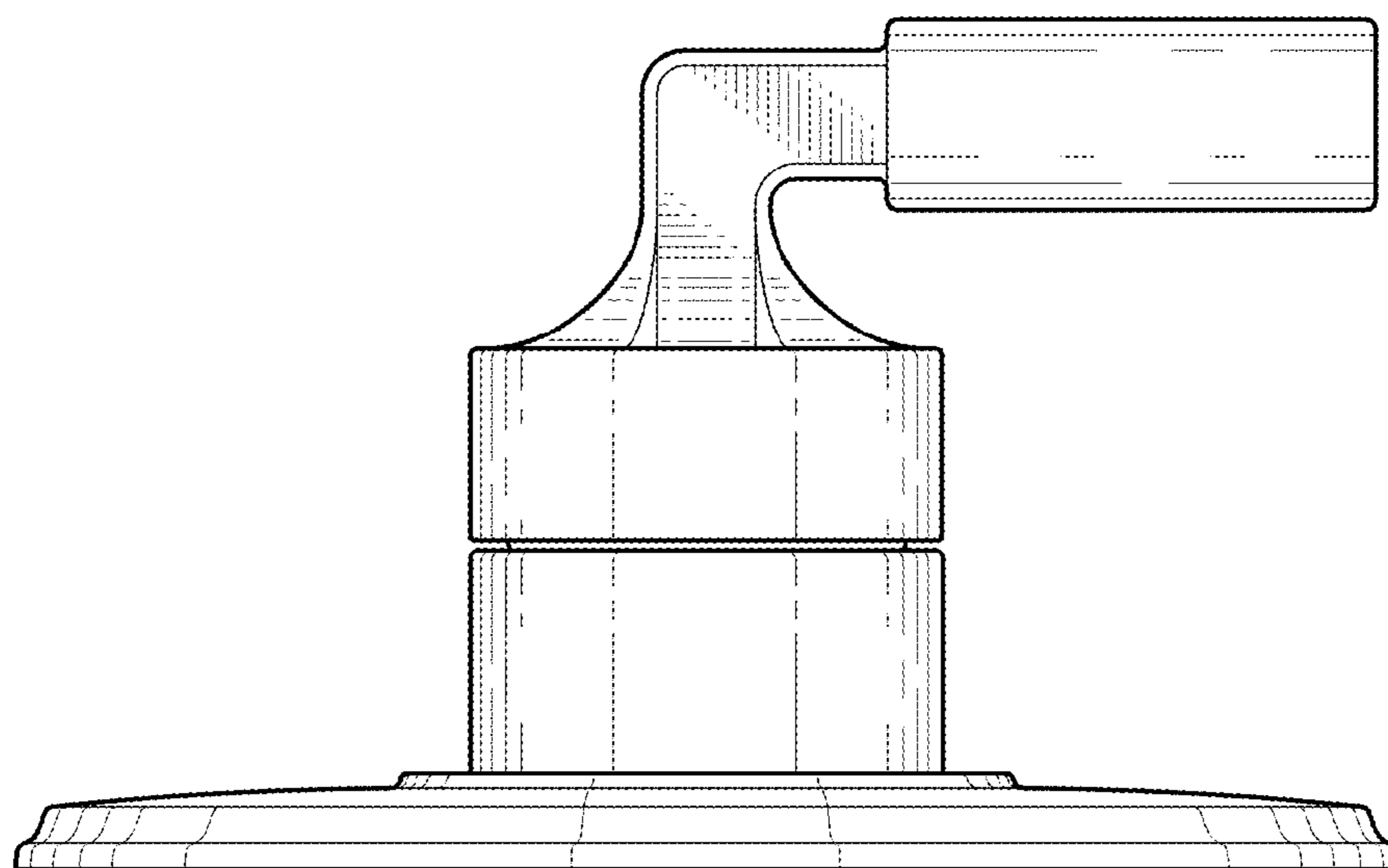


Fig-4

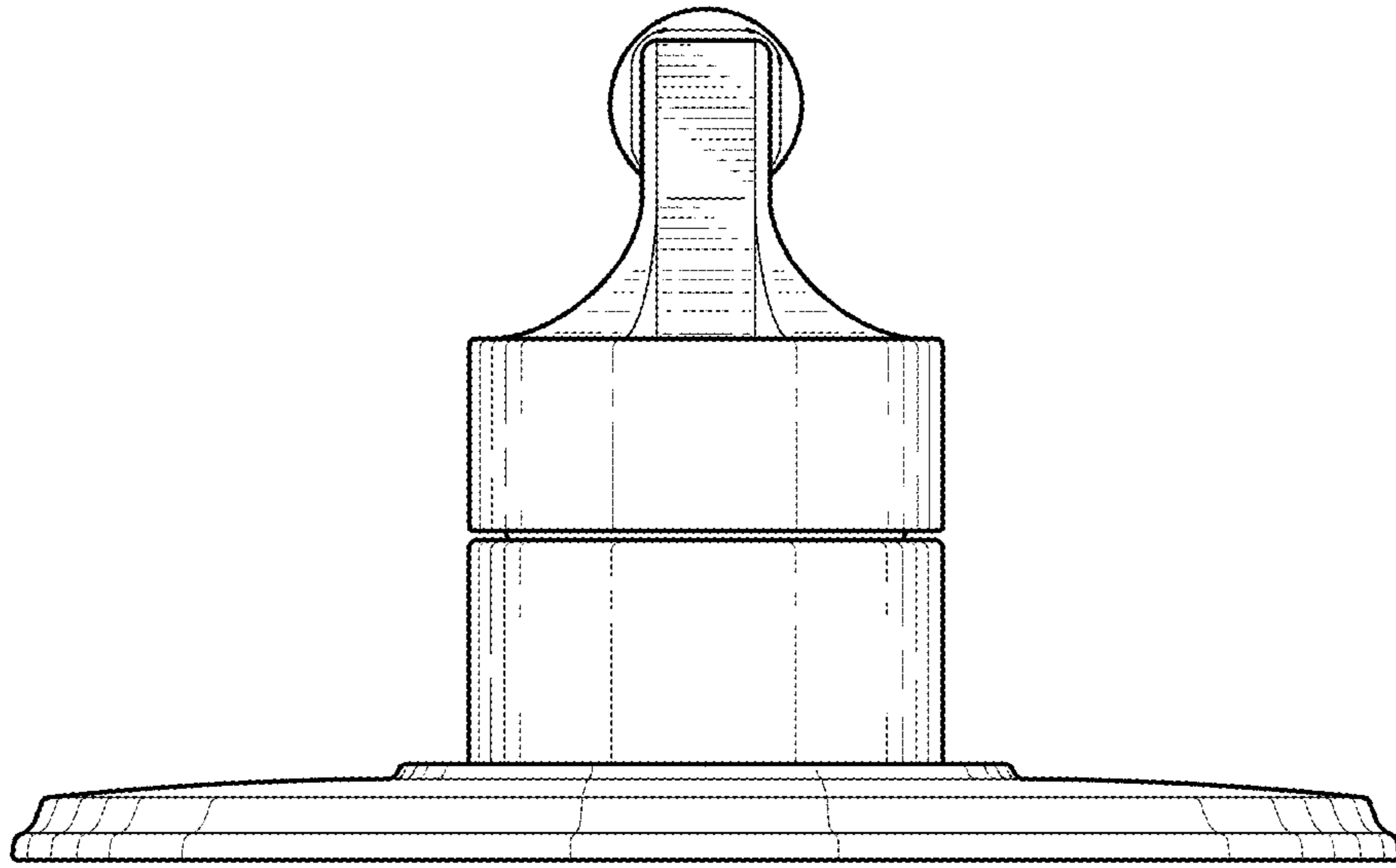


Fig-5

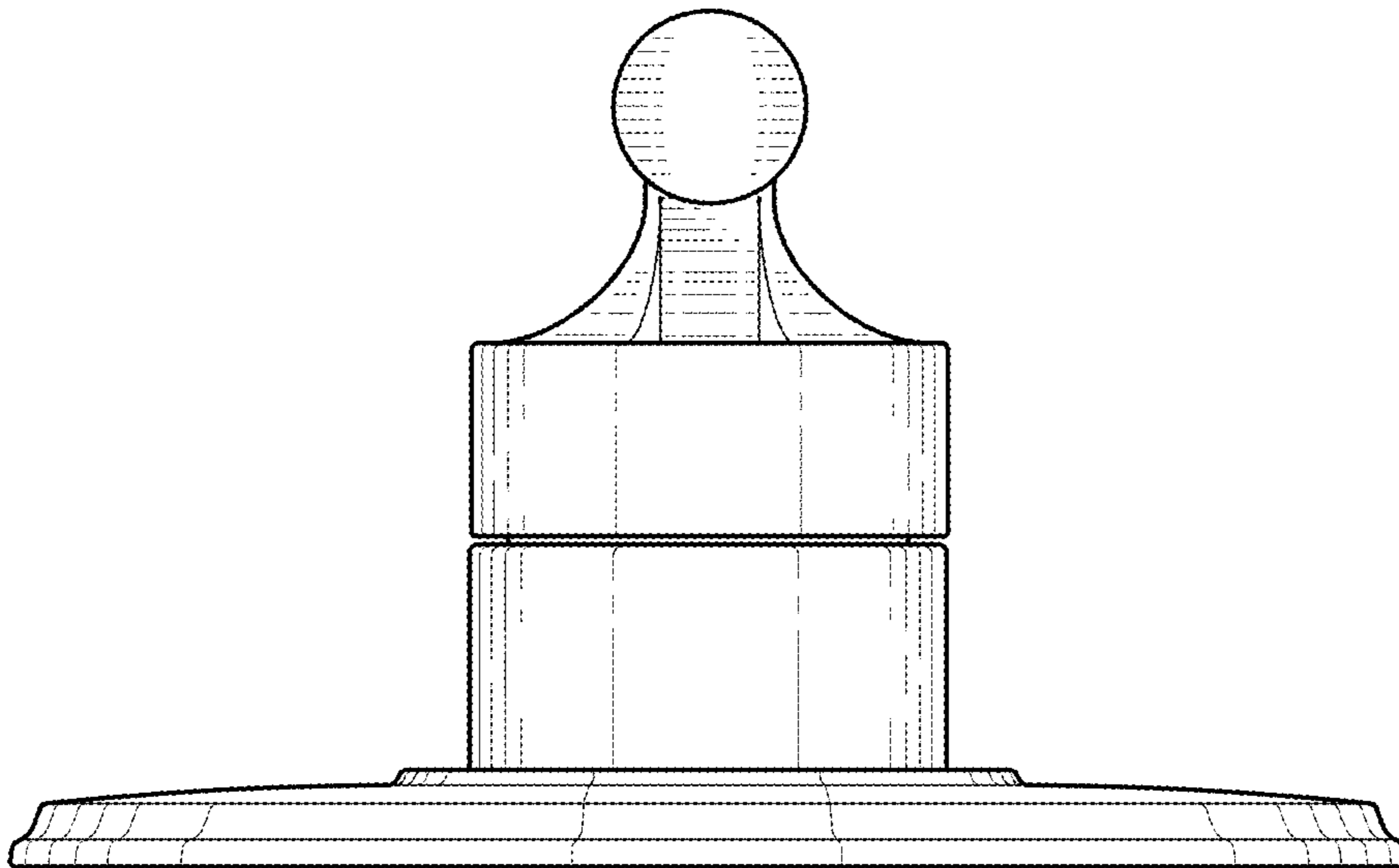


Fig-6