



US00D904574S

(12) **United States Design Patent** (10) **Patent No.:** **US D904,574 S**
Garland et al. (45) **Date of Patent:** **** Dec. 8, 2020**

(54) **FAUCET HANDLE**

(71) Applicant: **DELTA FAUCET COMPANY**,
Indianapolis, IN (US)

(72) Inventors: **Celine Kwok Garland**, Zionsville, IN
(US); **Thad Eads**, Urbana, IN (US)

(73) Assignee: **DELTA FAUCET COMPANY**,
Indianapolis, IN (US)

(**) Term: **15 Years**

(21) Appl. No.: **29/687,256**

(22) Filed: **Apr. 11, 2019**

(51) **LOC (12) Cl.** **23-01**

(52) **U.S. Cl.**
USPC **D23/252**

(58) **Field of Classification Search**
USPC D23/252, 254, 238-243; D8/307-308,
D8/352
CPC E03C 1/0408; E03C 1/09; E03C 1/042;
E03C 1/0412
See application file for complete search history.

(56) **References Cited**

U.S. PATENT DOCUMENTS

D828,508 S *	9/2018	Fritz	D23/238
D839,996 S *	2/2019	Garland	D23/252
D868,944 S *	12/2019	Garland	D23/252
D873,381 S *	1/2020	Eads	D23/252

* cited by examiner

Primary Examiner — Robert A Delehanty

(74) *Attorney, Agent, or Firm* — Nirav D. Parikh; Edgar
A. Zarins

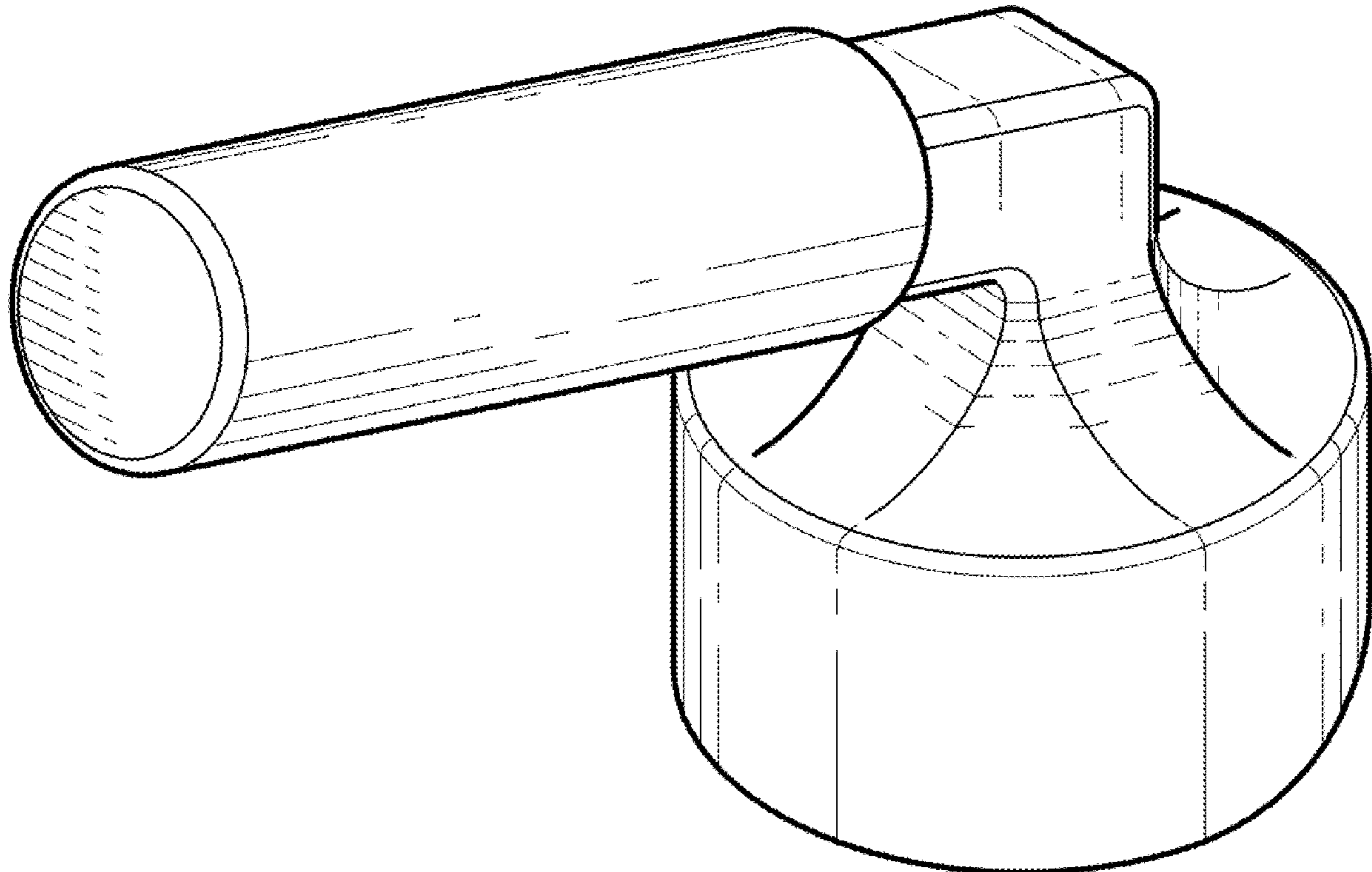
(57) **CLAIM**

The ornamental design for a faucet handle, as shown and described.

DESCRIPTION

FIG. 1 is a first perspective view of a faucet handle showing our new design;
FIG. 2 is a top plan view thereof;
FIG. 3 is a first side view thereof, the opposite side being a mirror image of the side shown;
FIG. 4 is a bottom view thereof;
FIG. 5 is a first end view thereof; and,
FIG. 6 is a second end view thereof.

1 Claim, 2 Drawing Sheets



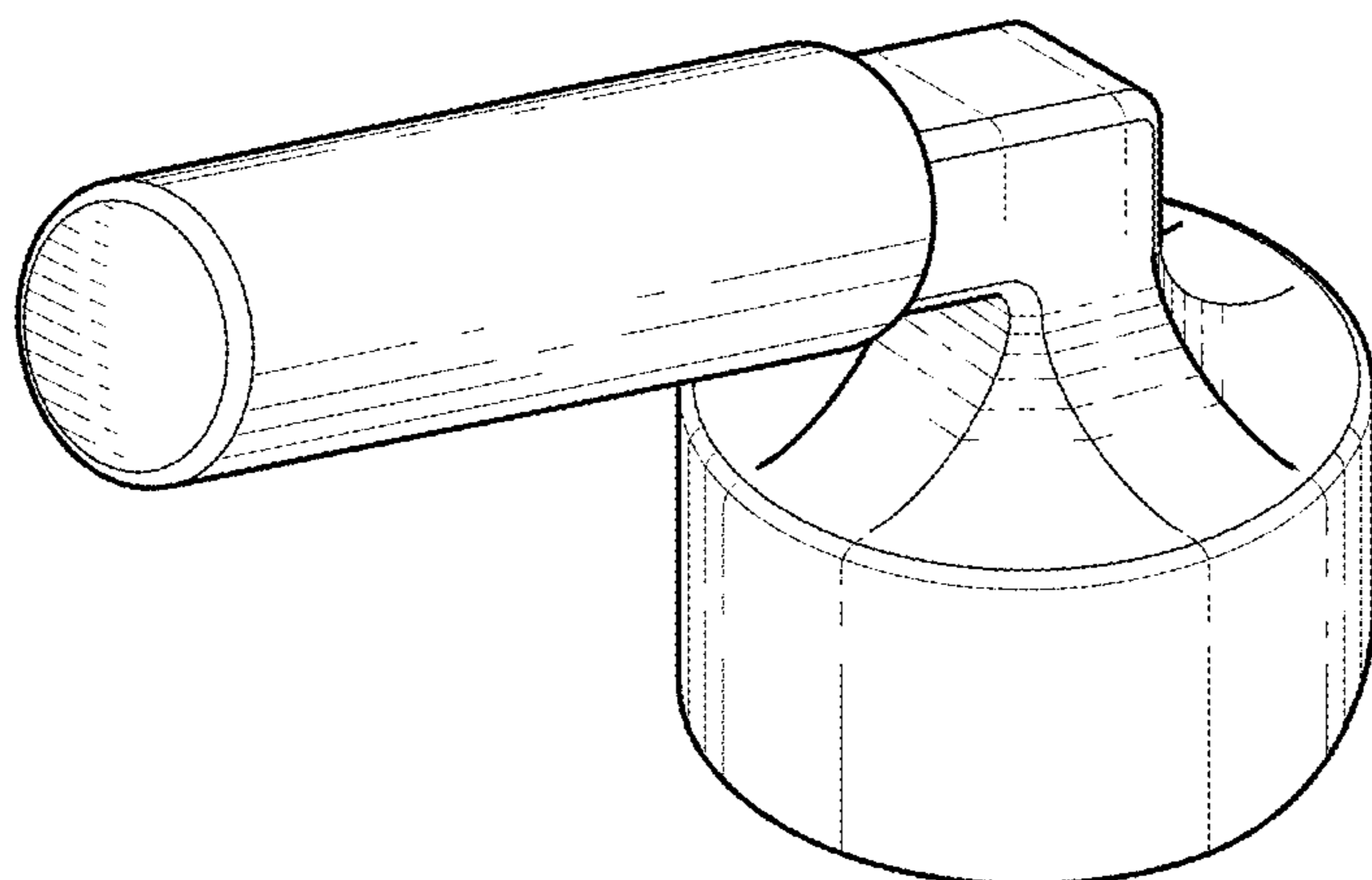


Fig-1

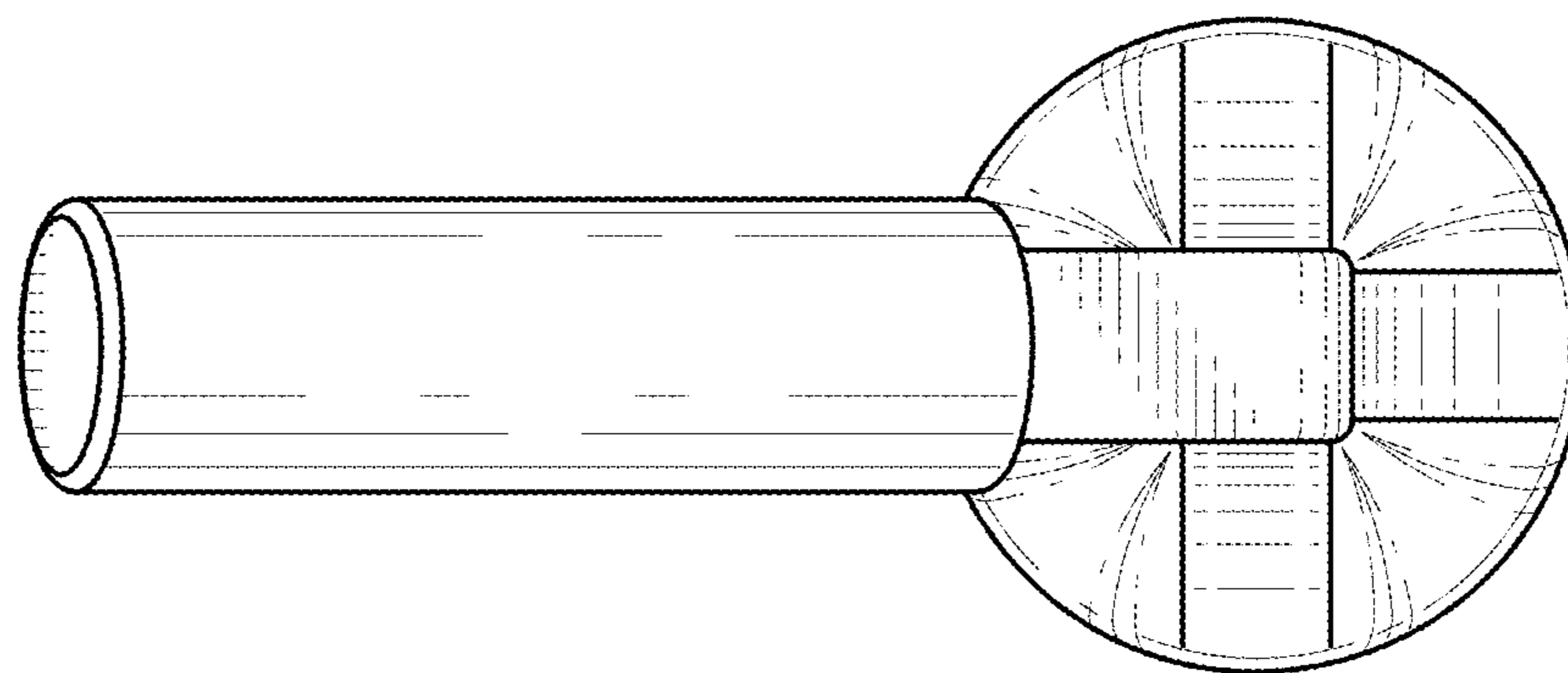


Fig-2

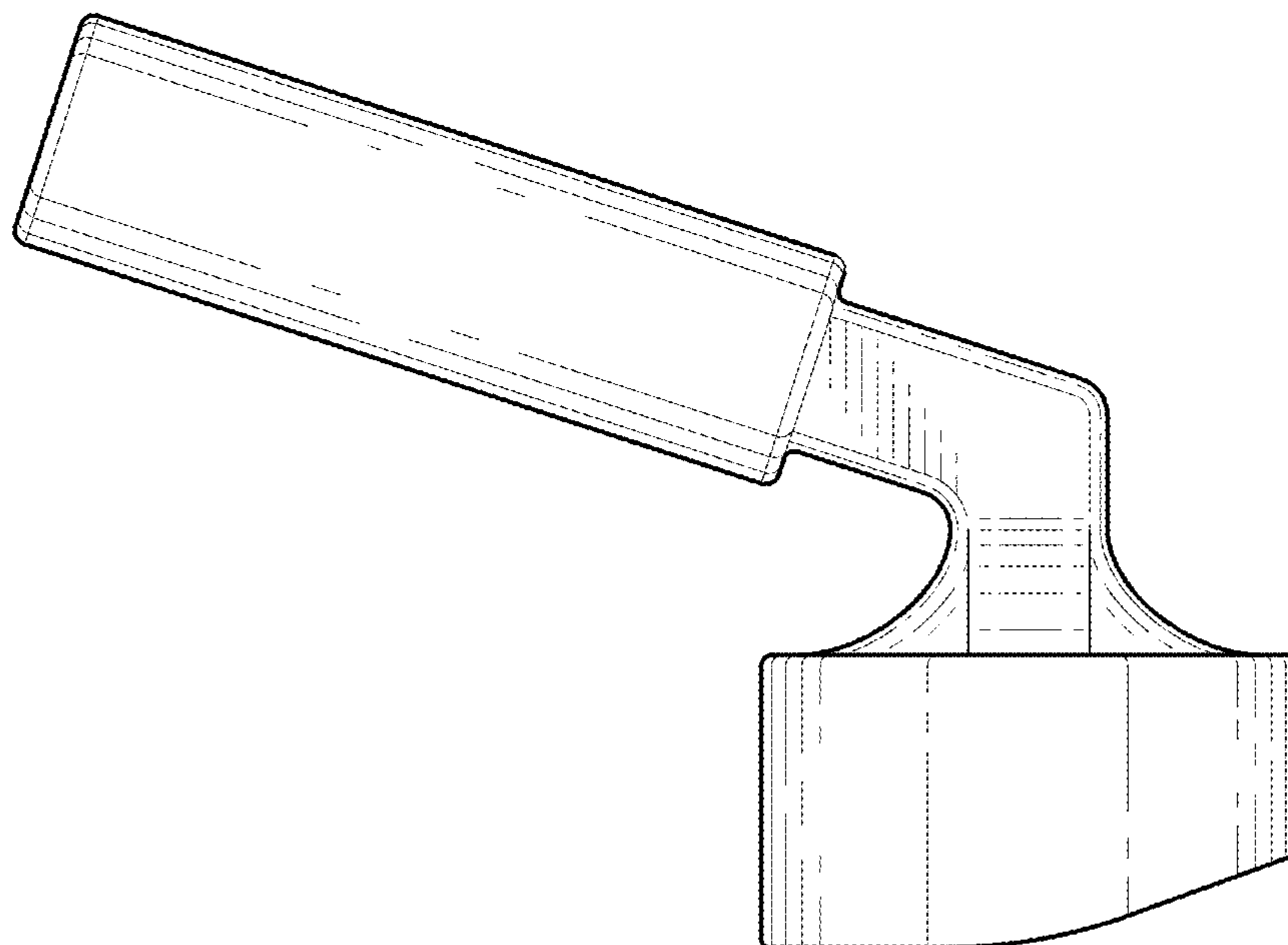


Fig-3

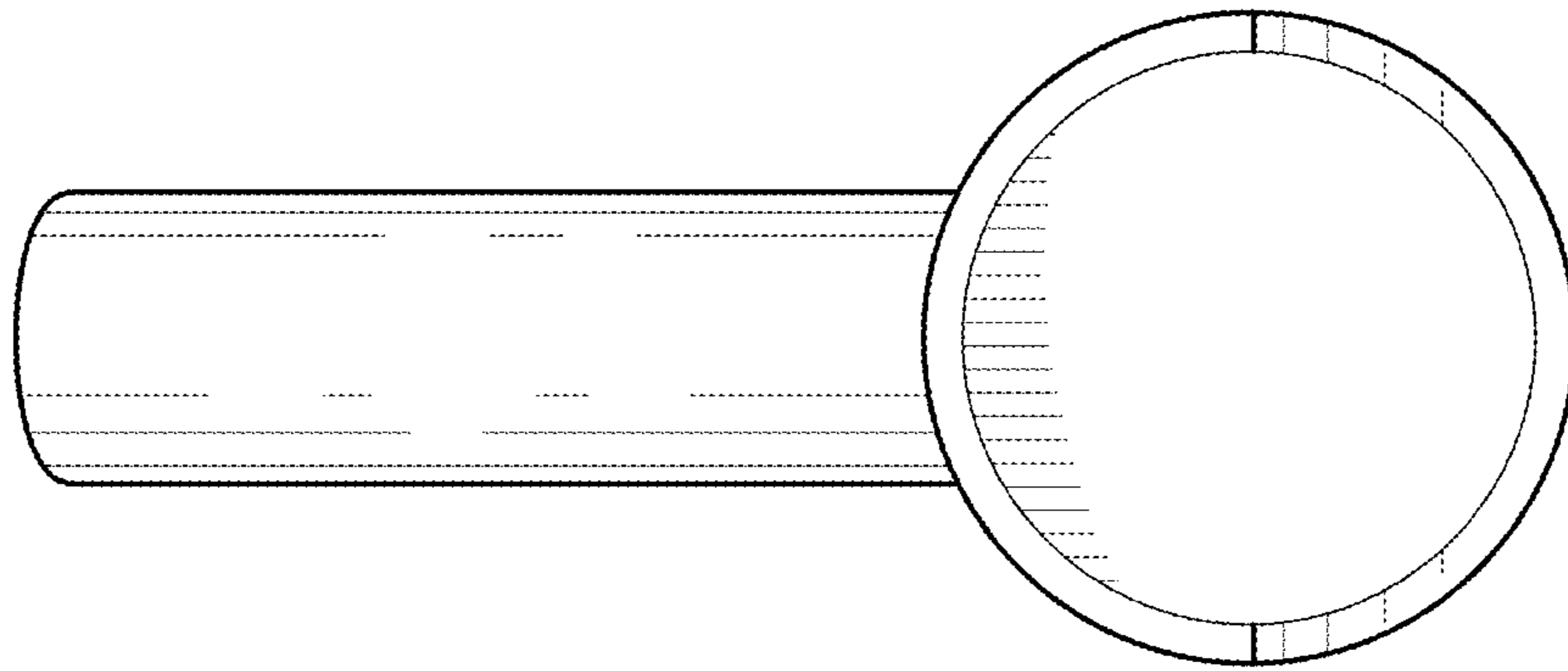


Fig-4

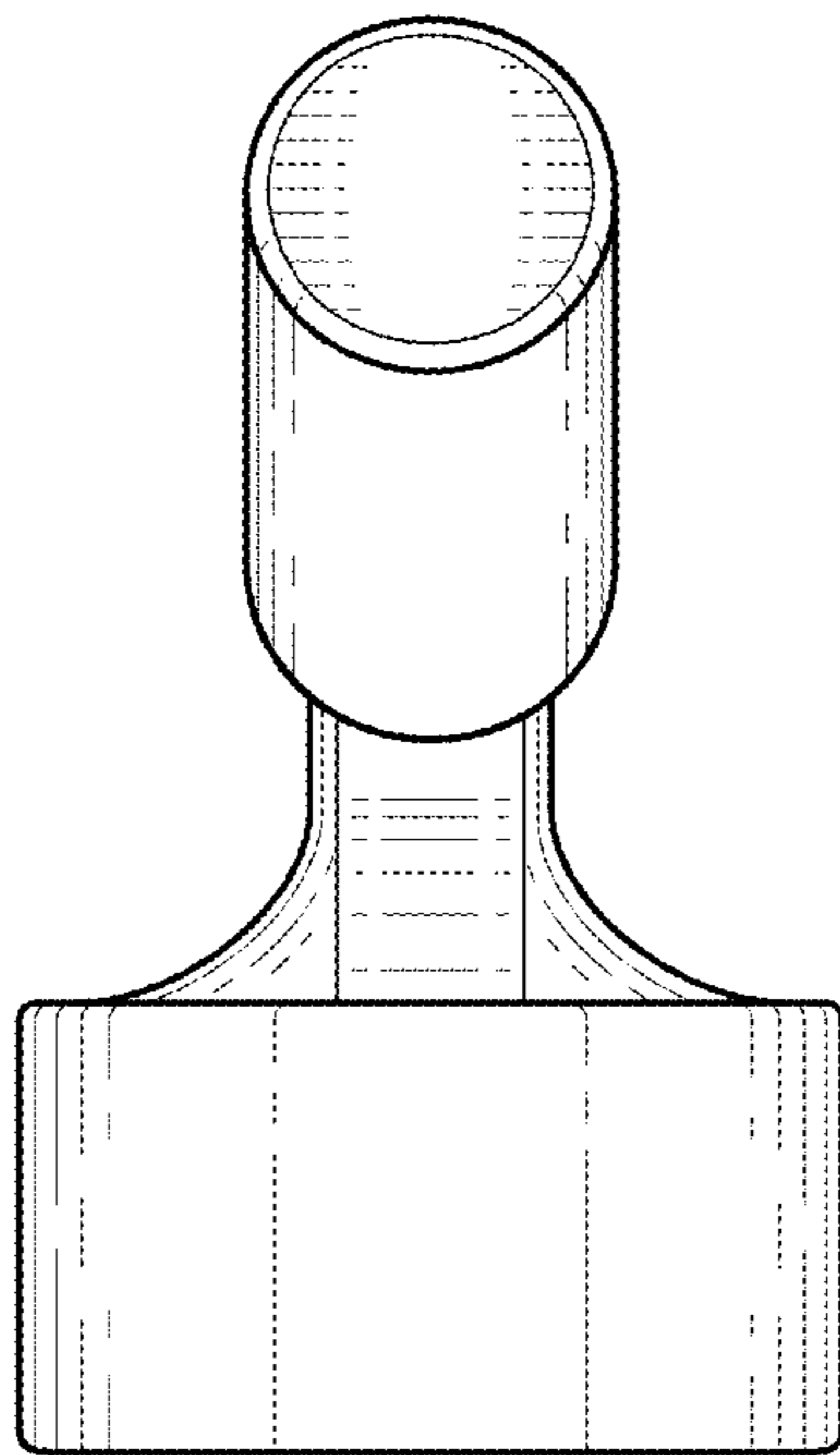


Fig-5

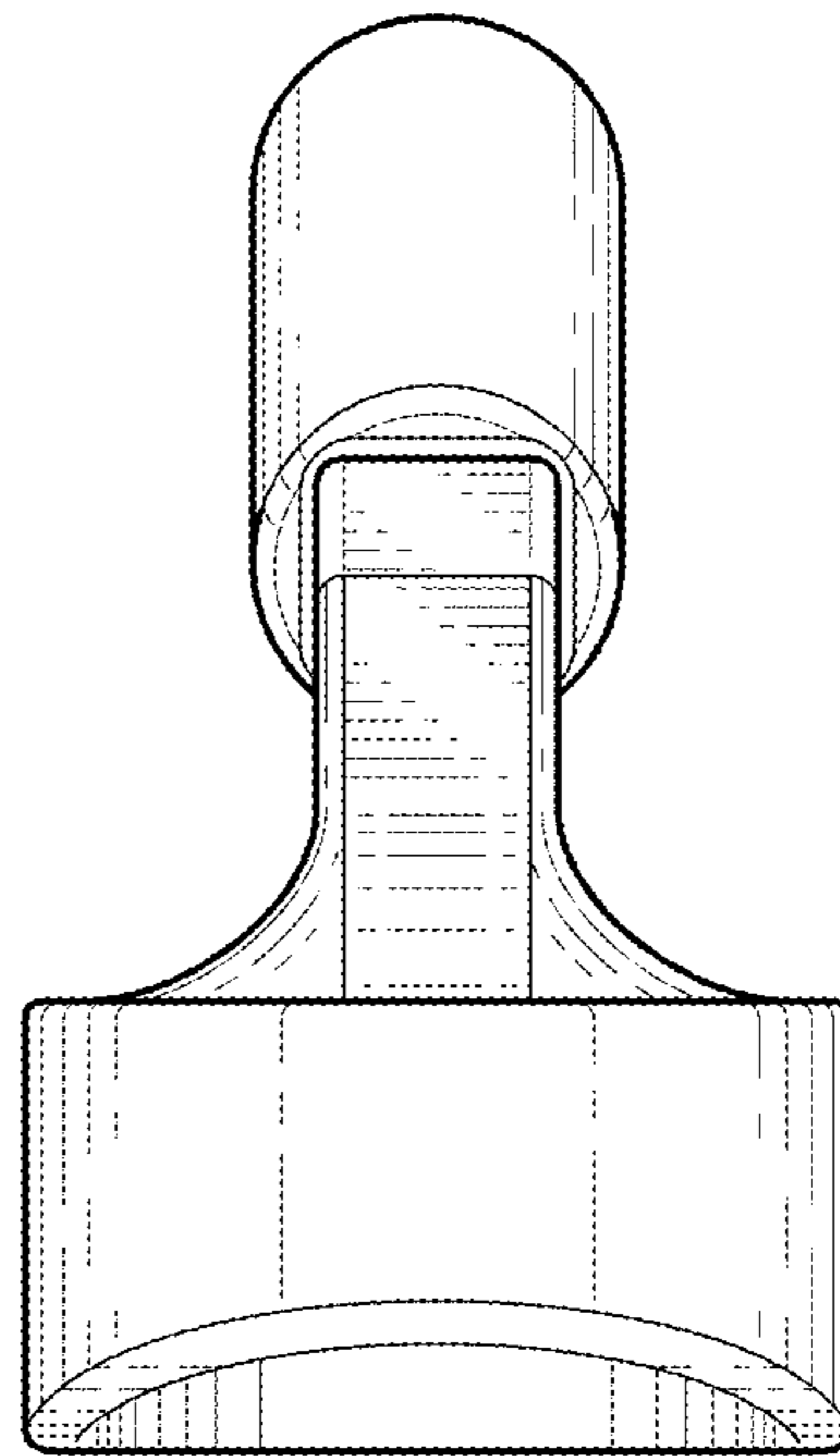


Fig-6