



US00D904573S

(12) **United States Design Patent**  
**Garland**

(10) **Patent No.:** **US D904,573 S**

(45) **Date of Patent:** **\*\* Dec. 8, 2020**

(54) **FAUCET HANDLE**

(71) Applicant: **DELTA FAUCET COMPANY,**  
Indianapolis, IN (US)

(72) Inventor: **Celine Kwok Garland,** Zionsville, IN  
(US)

(73) Assignee: **DELTA FAUCET COMPANY,**  
Indianapolis, IN (US)

(\*\*) Term: **15 Years**

(21) Appl. No.: **29/680,643**

(22) Filed: **Feb. 19, 2019**

(51) **LOC (12) Cl.** ..... **23-01**

(52) **U.S. Cl.**  
USPC ..... **D23/252**

(58) **Field of Classification Search**  
USPC ..... D23/252, 254, 238–243, 249;  
D8/307–308  
CPC ..... E03C 1/0408; E03C 1/09; E03C 1/042;  
E03C 1/0412  
See application file for complete search history.

(56) **References Cited**

**U.S. PATENT DOCUMENTS**

D634,815 S \* 3/2011 Barry ..... D23/252  
D757,908 S \* 5/2016 Fritz ..... D23/252

D800,268 S \* 10/2017 Garland ..... D23/252  
D810,884 S \* 2/2018 Garland ..... D23/252  
D811,545 S \* 2/2018 Garland ..... D23/252  
D828,508 S \* 9/2018 Fritz ..... D23/238  
D840,512 S \* 2/2019 Garland ..... D23/252  
D852,330 S \* 6/2019 Garland ..... D23/249

\* cited by examiner

*Primary Examiner* — Robert A Delehanty

(74) *Attorney, Agent, or Firm* — Nirav D. Parikh; Edgar  
A. Zarins

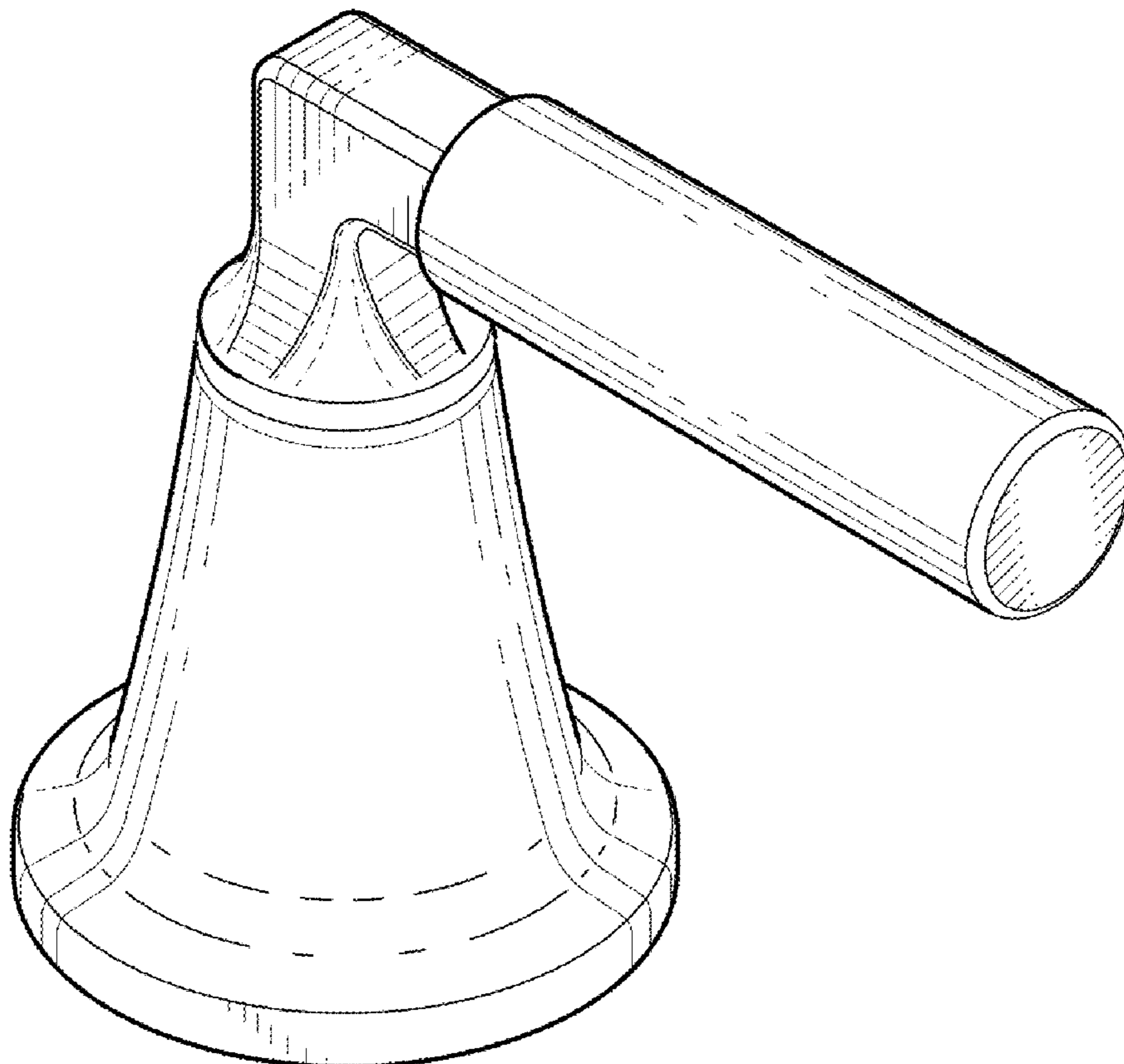
(57) **CLAIM**

The ornamental design for a faucet handle, as shown and  
described.

**DESCRIPTION**

FIG. 1 is a perspective view of a faucet handle showing my  
new design;  
FIG. 2 is a top plan view thereof;  
FIG. 3 is a bottom view thereof;  
FIG. 4 is a first side view thereof;  
FIG. 5 is a first end view thereof; and,  
FIG. 6 is a second end view thereof.  
The broken-line disclosure in the view represents a portion  
of the faucet handle in which the claimed design is embod-  
ied, but which forms no part of the claimed design.

**1 Claim, 2 Drawing Sheets**



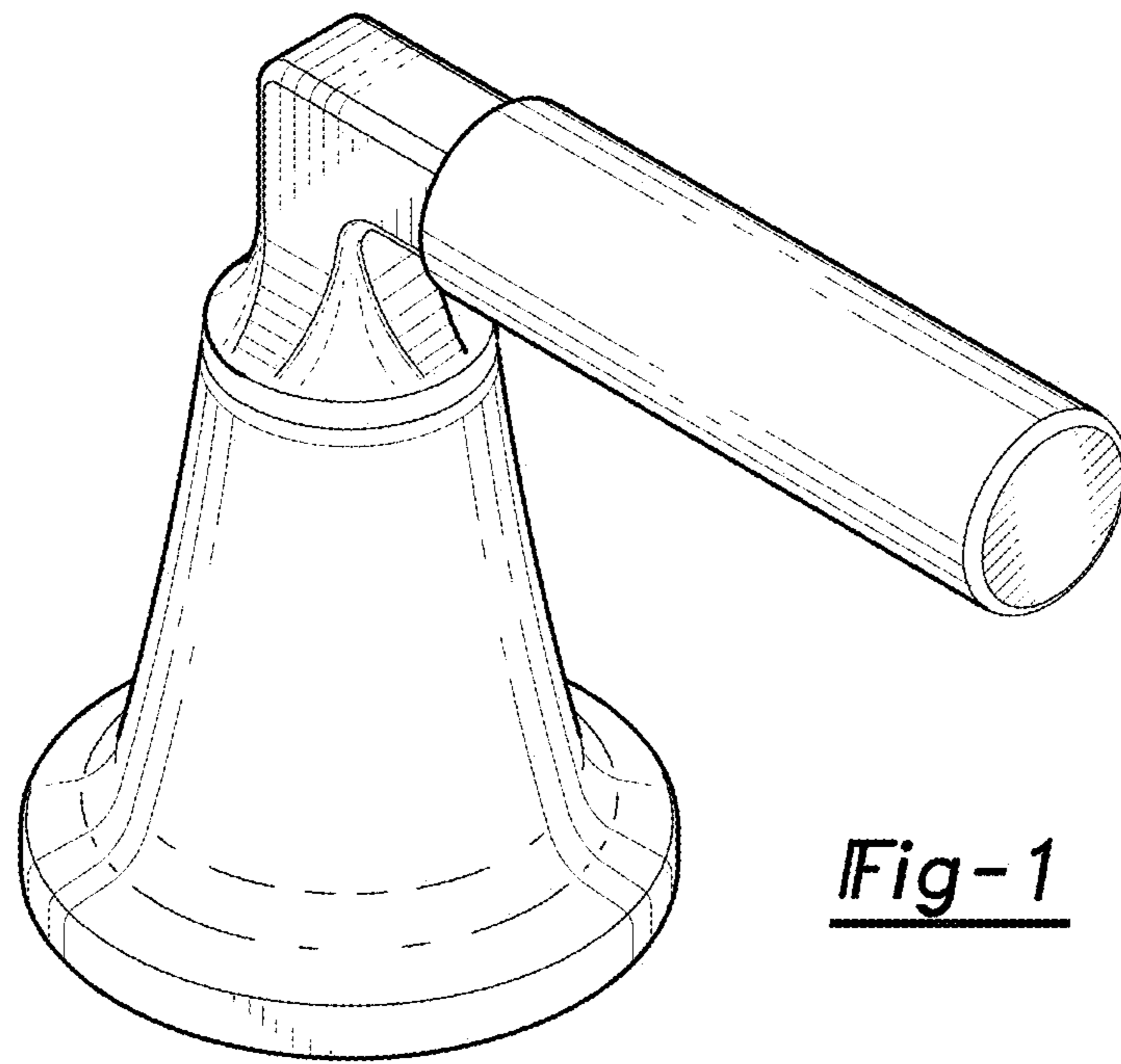


Fig-1

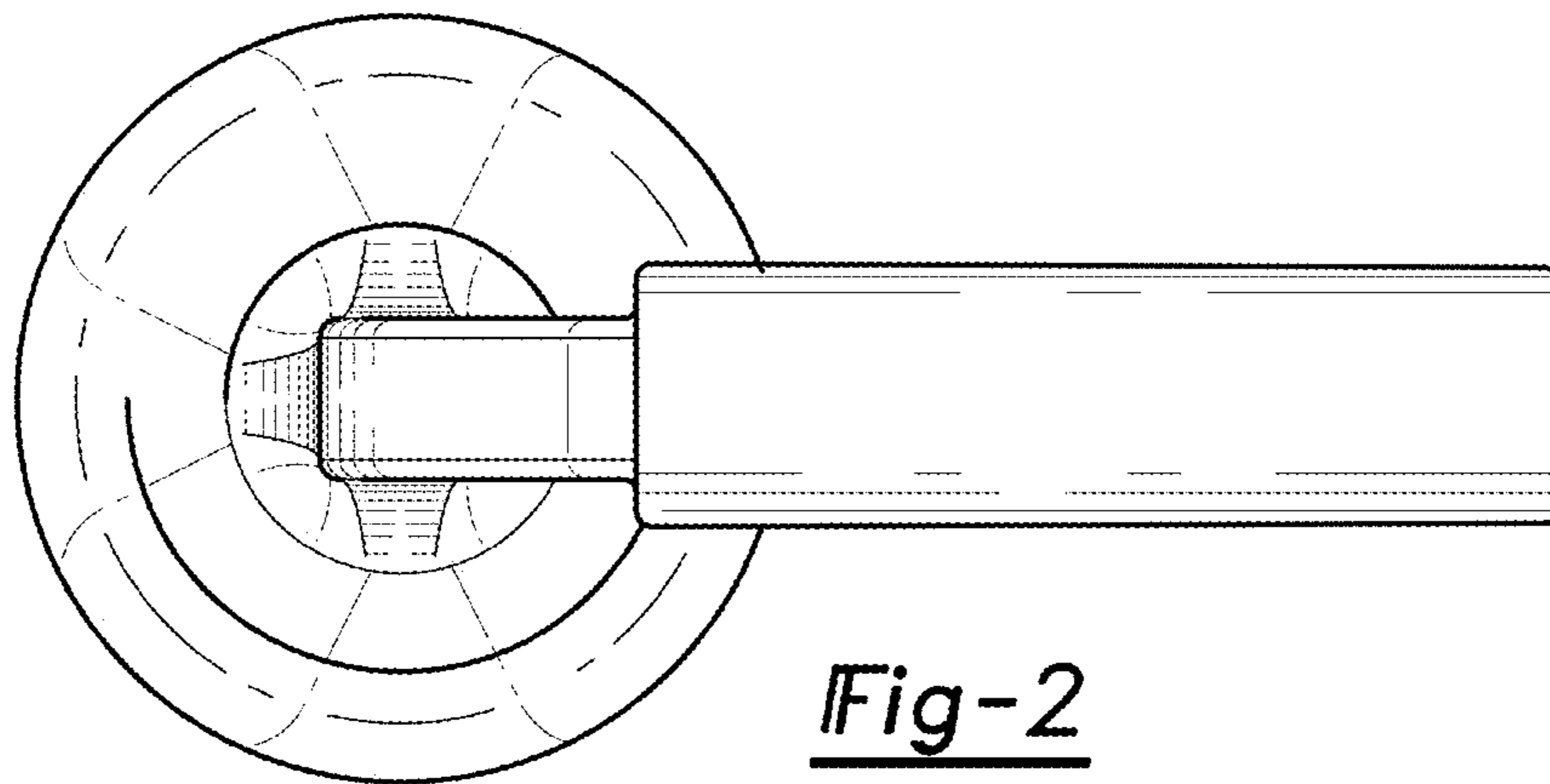


Fig-2

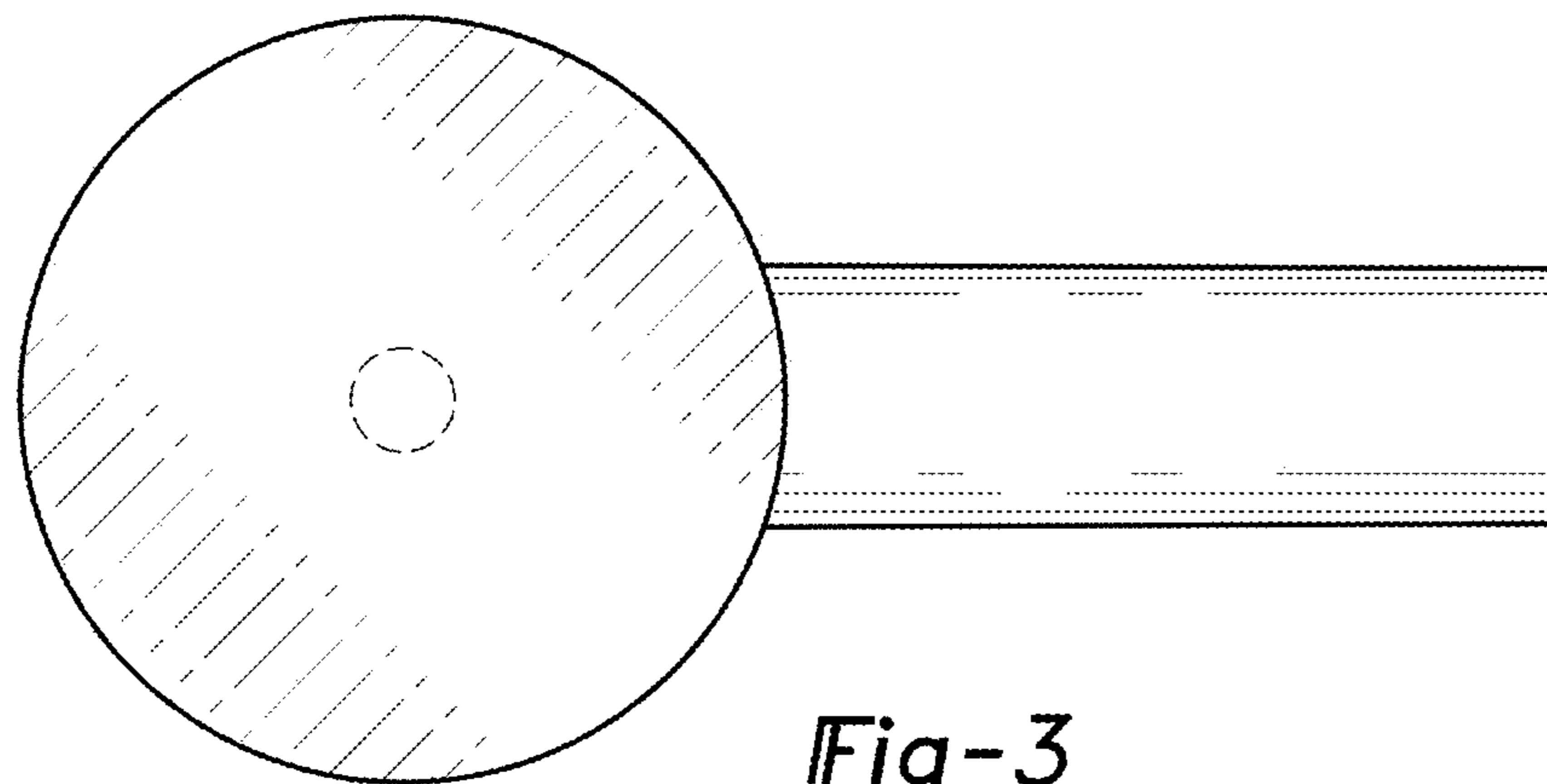


Fig-3

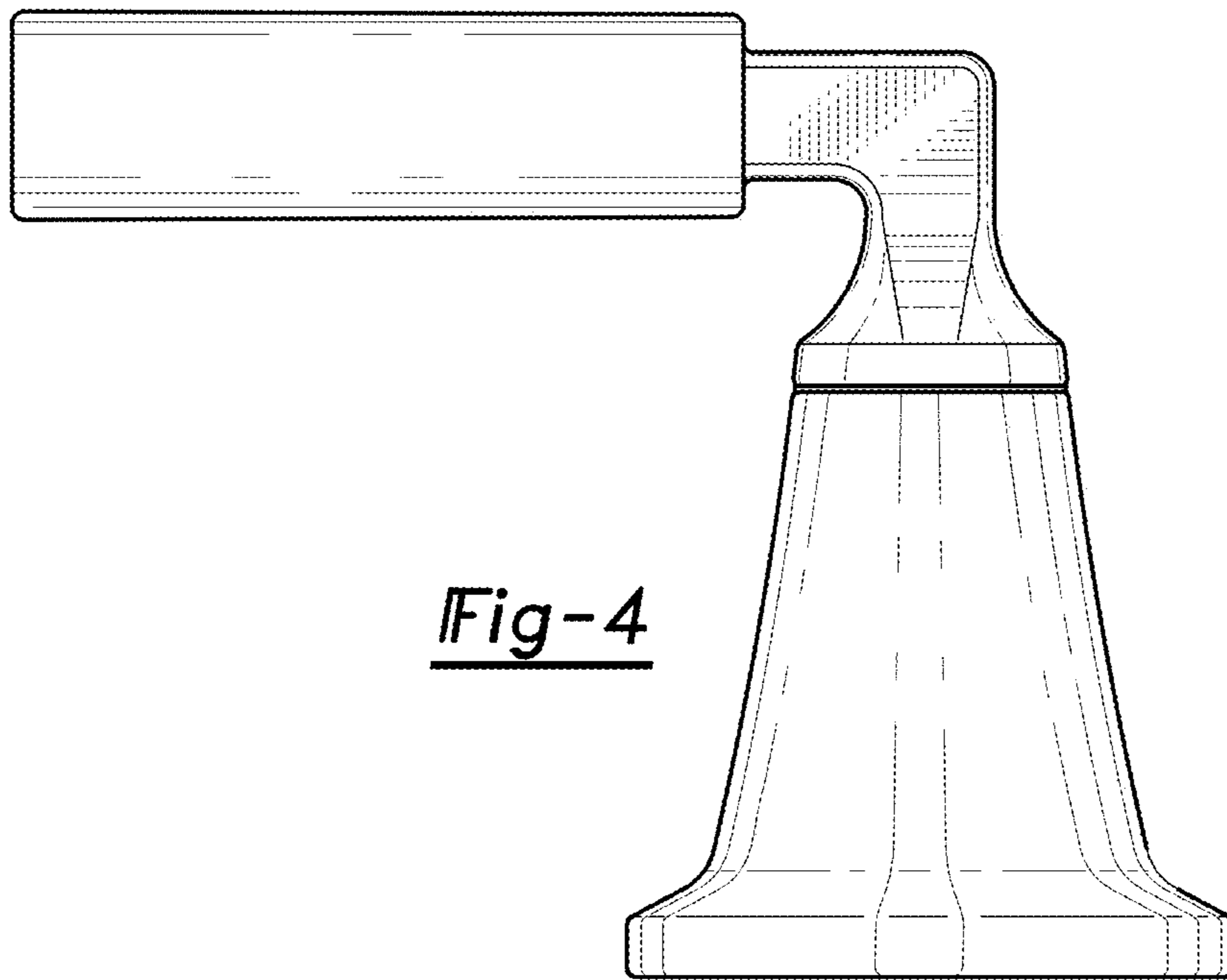


Fig-4

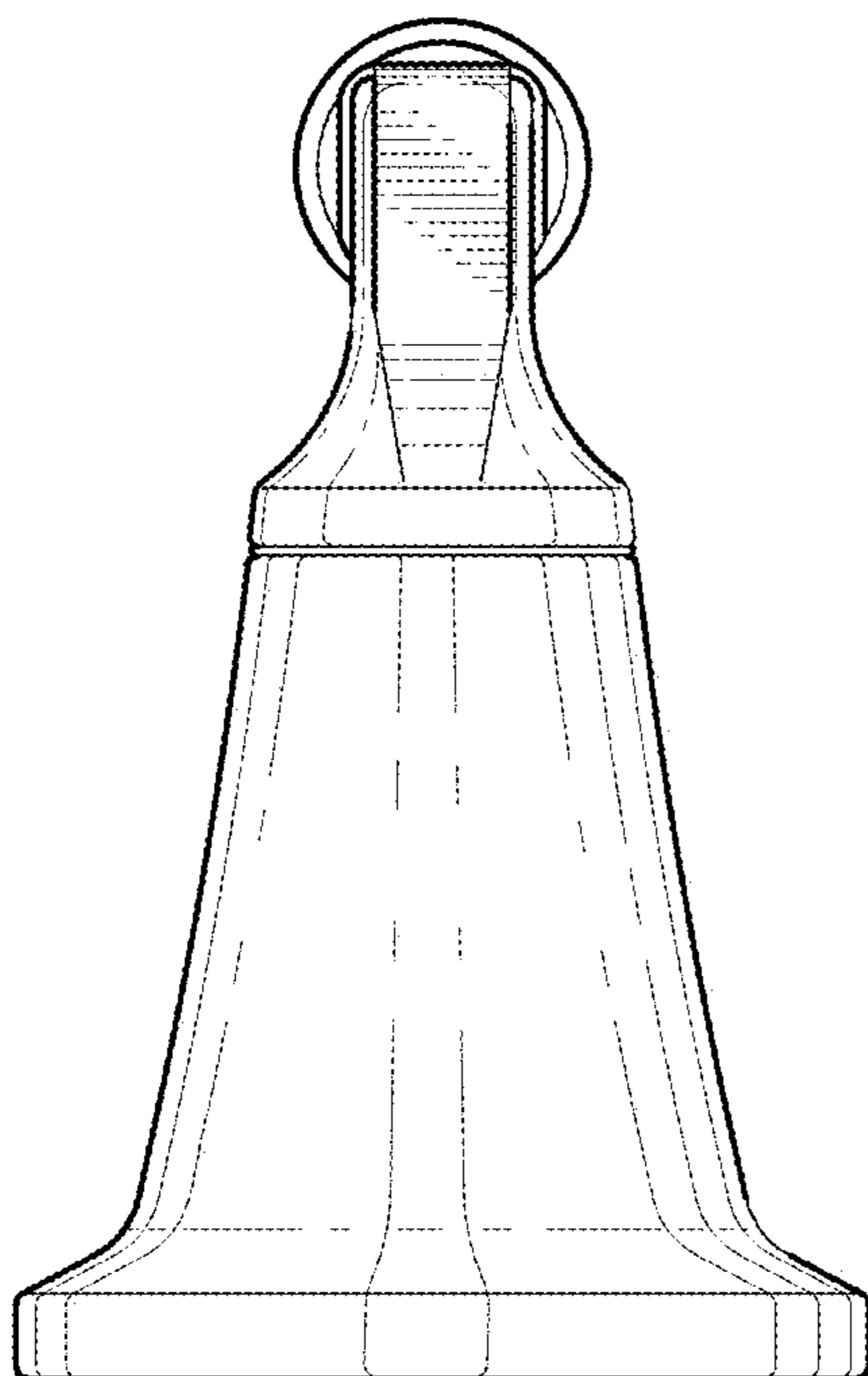


Fig-5

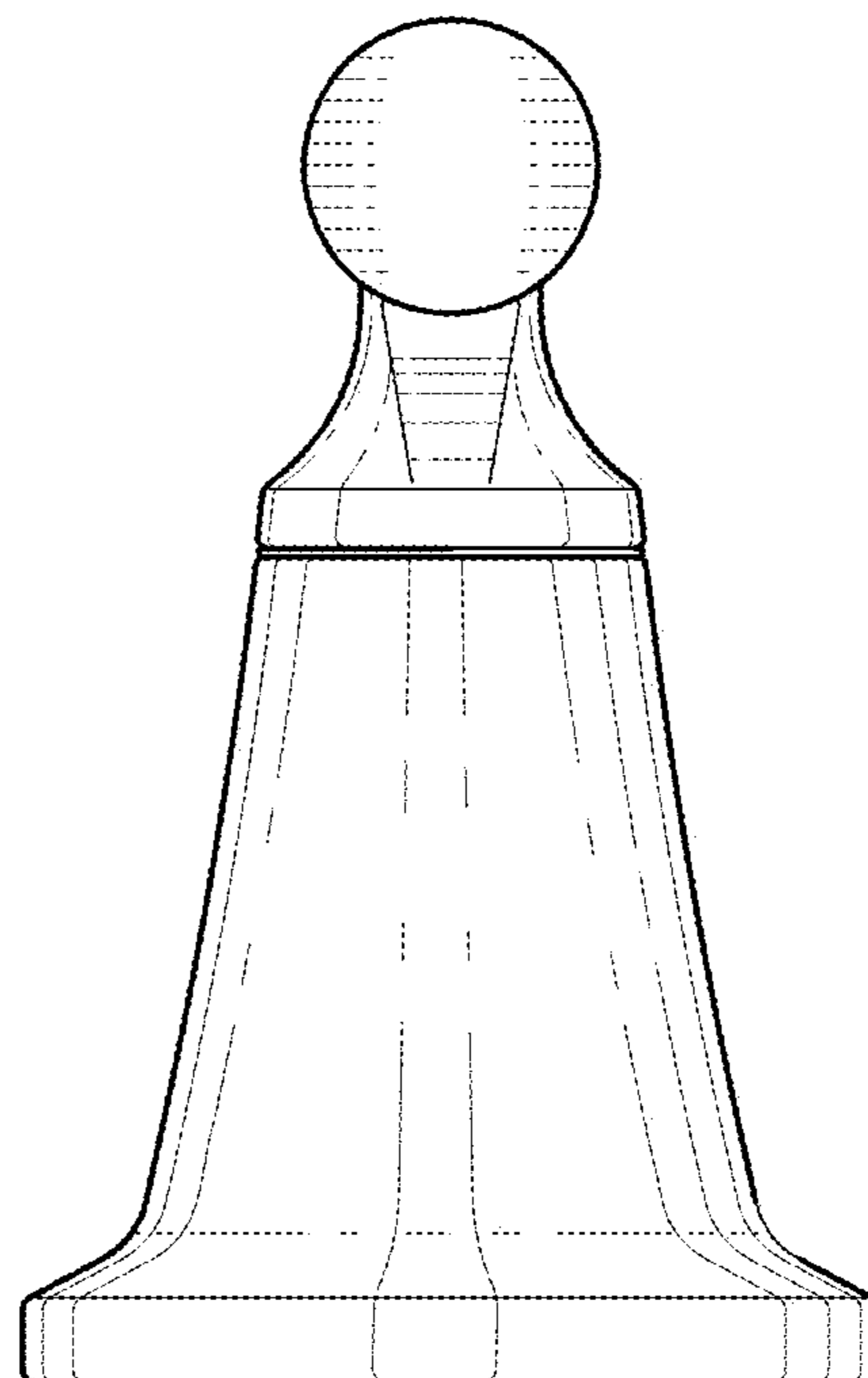


Fig-6