



US00D904572S

(12) **United States Design Patent** (10) **Patent No.:** **US D904,572 S**  
**Eads** (45) **Date of Patent:** **\*\* Dec. 8, 2020**

(54) **FAUCET HANDLE**

(71) Applicant: **DELTA FAUCET COMPANY,**  
Indianapolis, IN (US)

(72) Inventor: **Thad Eads,** Urbana, IN (US)

(73) Assignee: **DELTA FAUCET COMPANY,**  
Indianapolis, IN (US)

(\*\*) Term: **15 Years**

(21) Appl. No.: **29/680,125**

(22) Filed: **Feb. 13, 2019**

(51) **LOC (12) Cl.** ..... **23-01**

(52) **U.S. Cl.**  
USPC ..... **D23/250**

(58) **Field of Classification Search**  
USPC ..... D23/250, 252, 254, 238-243, 249;  
D8/307-308  
CPC ..... E03C 1/0408; E03C 1/09; E03C 1/042;  
E03C 1/0412  
See application file for complete search history.

(56) **References Cited**

**U.S. PATENT DOCUMENTS**

2,190,192 A \* 2/1940 Raymond ..... E05B 1/0015  
16/417  
D174,222 S \* 3/1955 Howie ..... D7/393

D193,885 S \* 10/1962 Andrews ..... D23/238  
D285,246 S \* 8/1986 Fetty ..... D23/250  
D302,109 S \* 7/1989 Cayce ..... D8/398  
D605,024 S \* 12/2009 Cotton ..... D8/302  
D787,295 S \* 5/2017 Young ..... D8/307

\* cited by examiner

*Primary Examiner* — Robert A Delehanty

(74) *Attorney, Agent, or Firm* — Nirav D. Parikh; Edgar  
A. Zarins

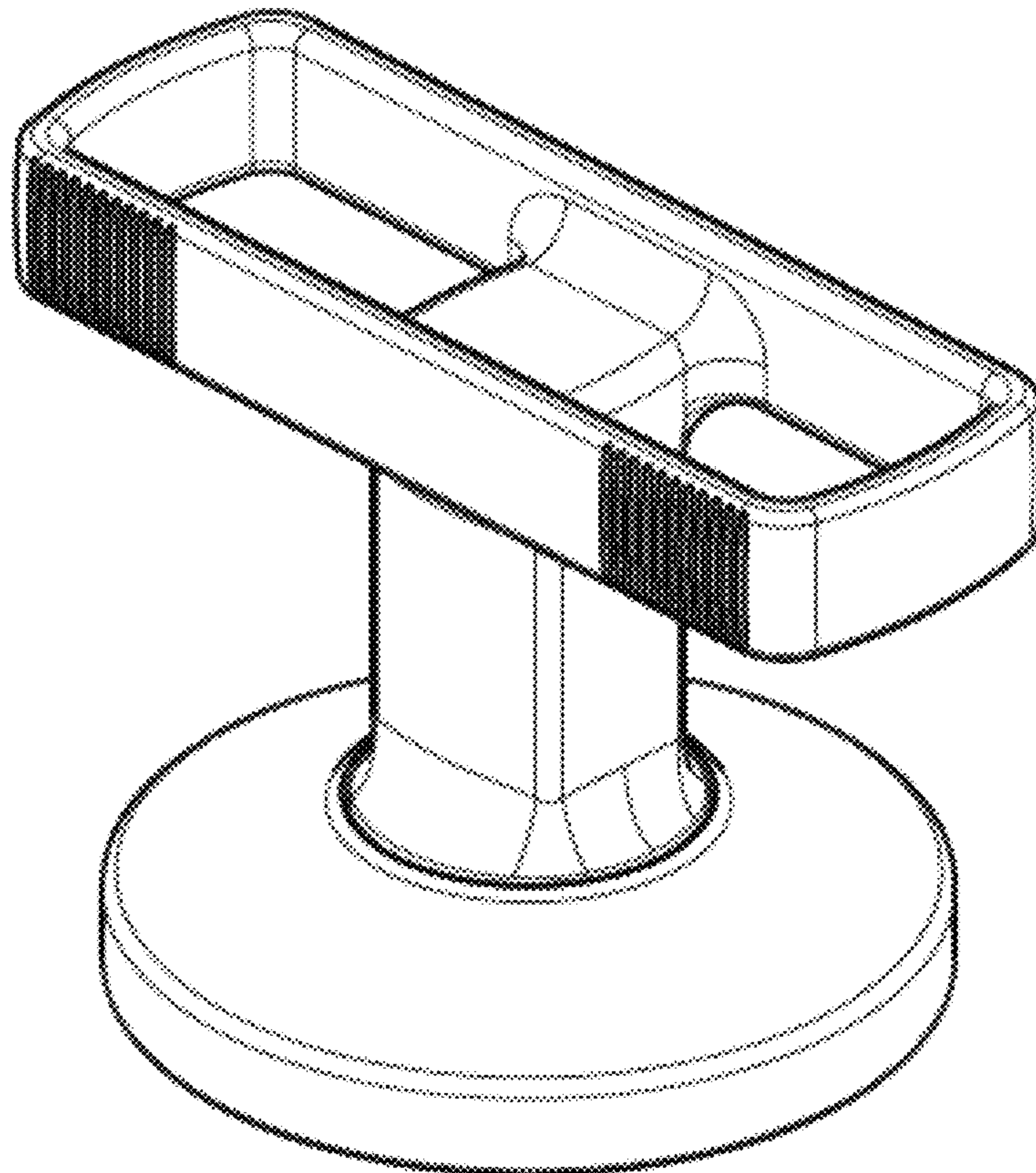
(57) **CLAIM**

The ornamental design for a faucet handle, as shown and described.

**DESCRIPTION**

FIG. 1 is a top perspective view of a faucet handle showing my new design;  
FIG. 2 is a bottom perspective view thereof;  
FIG. 3 is a top view thereof;  
FIG. 4 is a first end view thereof;  
FIG. 5 is a bottom view thereof;  
FIG. 6 is a second end view thereof;  
FIG. 7 is a first side view thereof; and,  
FIG. 8 is a second side view thereof.

**1 Claim, 4 Drawing Sheets**



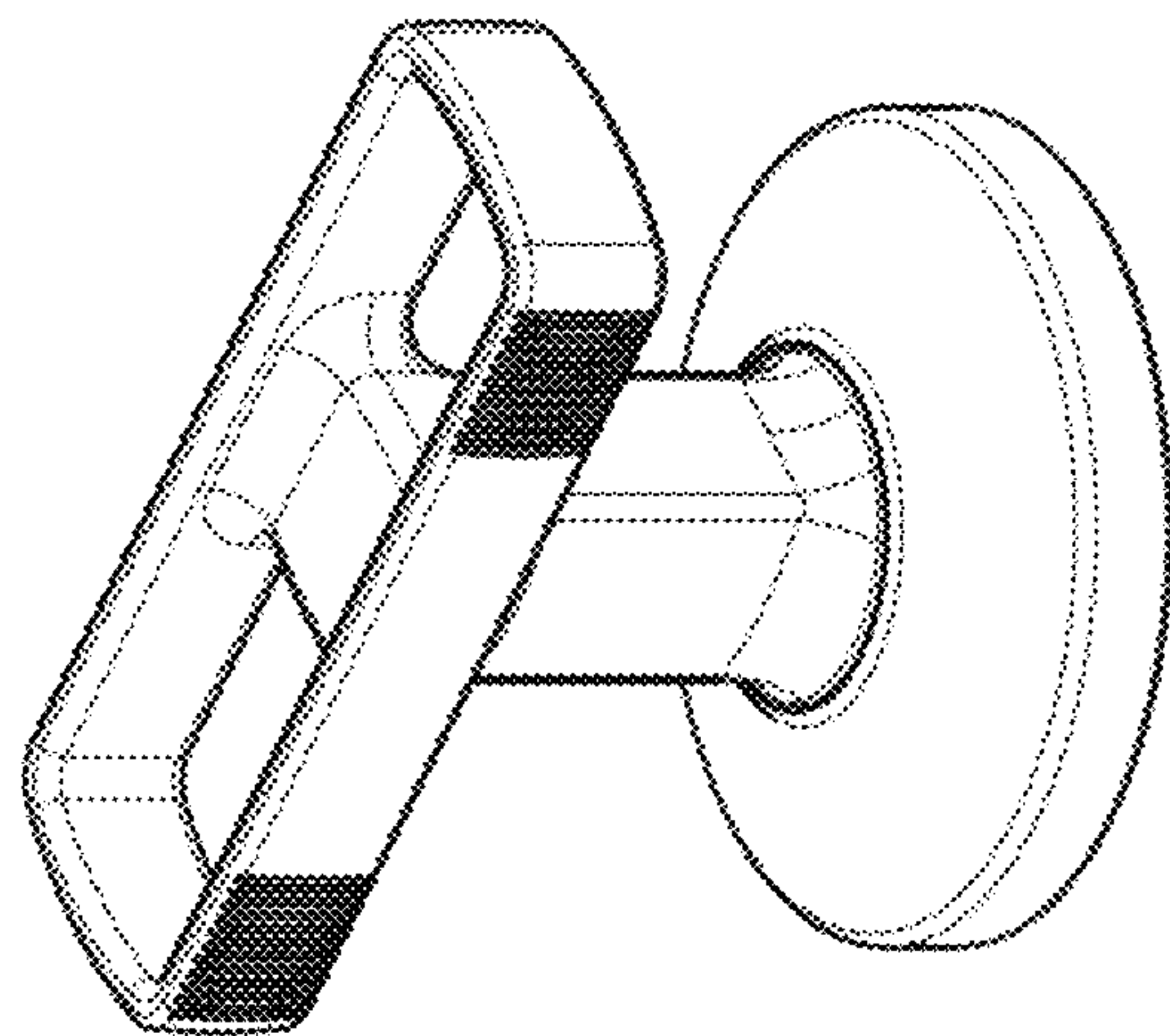


FIG - 1

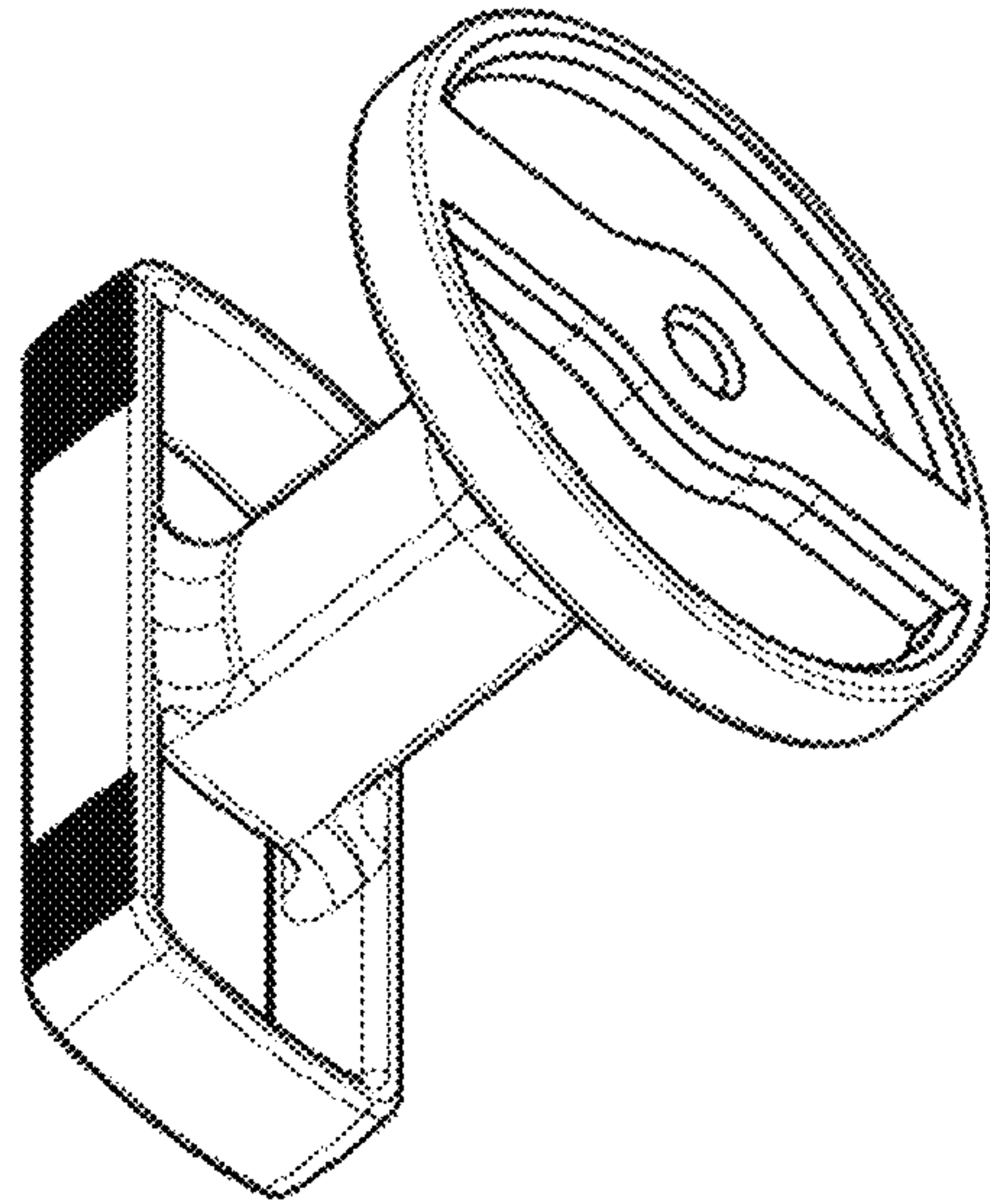


FIG - 2

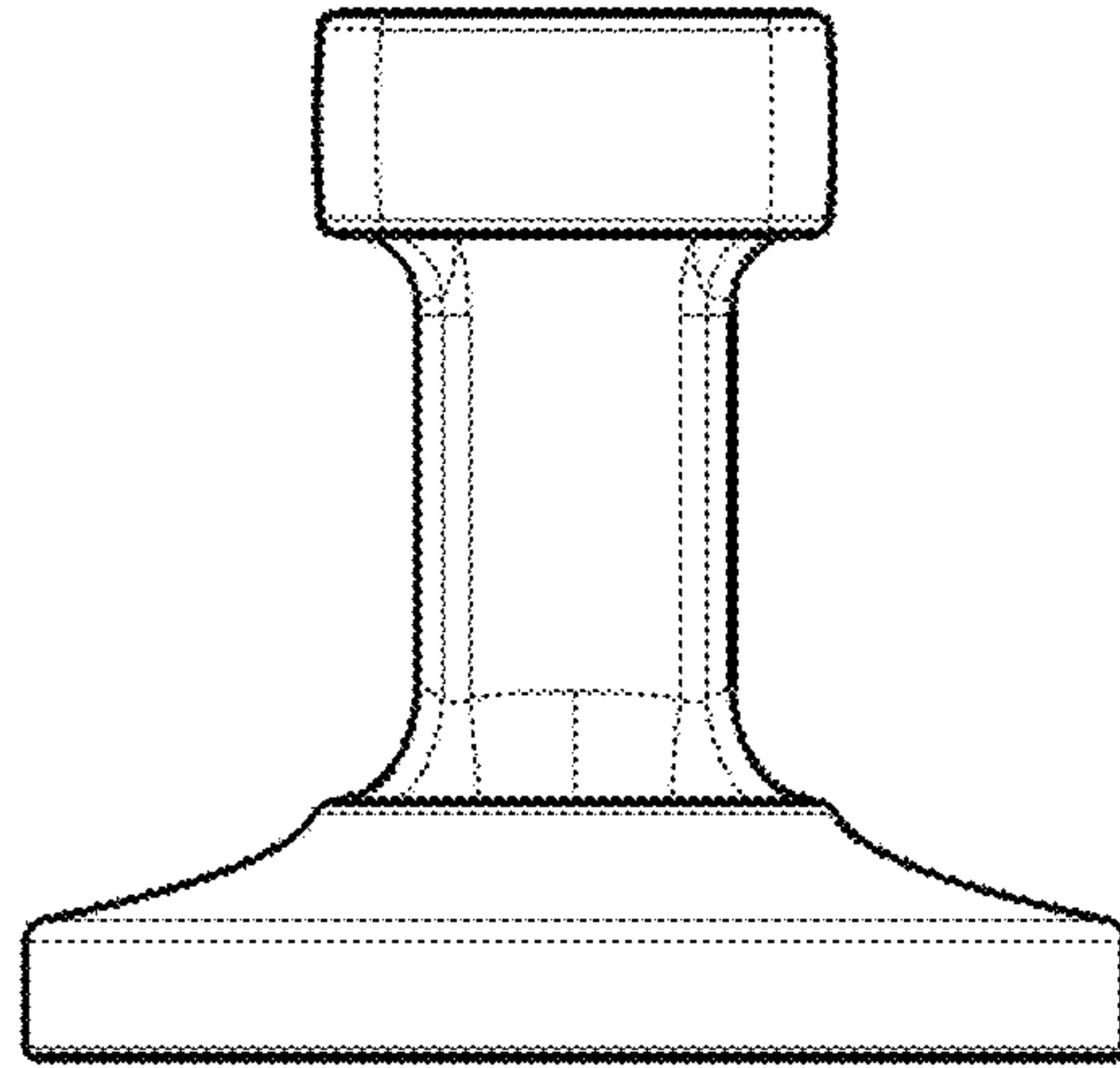


FIG - 4

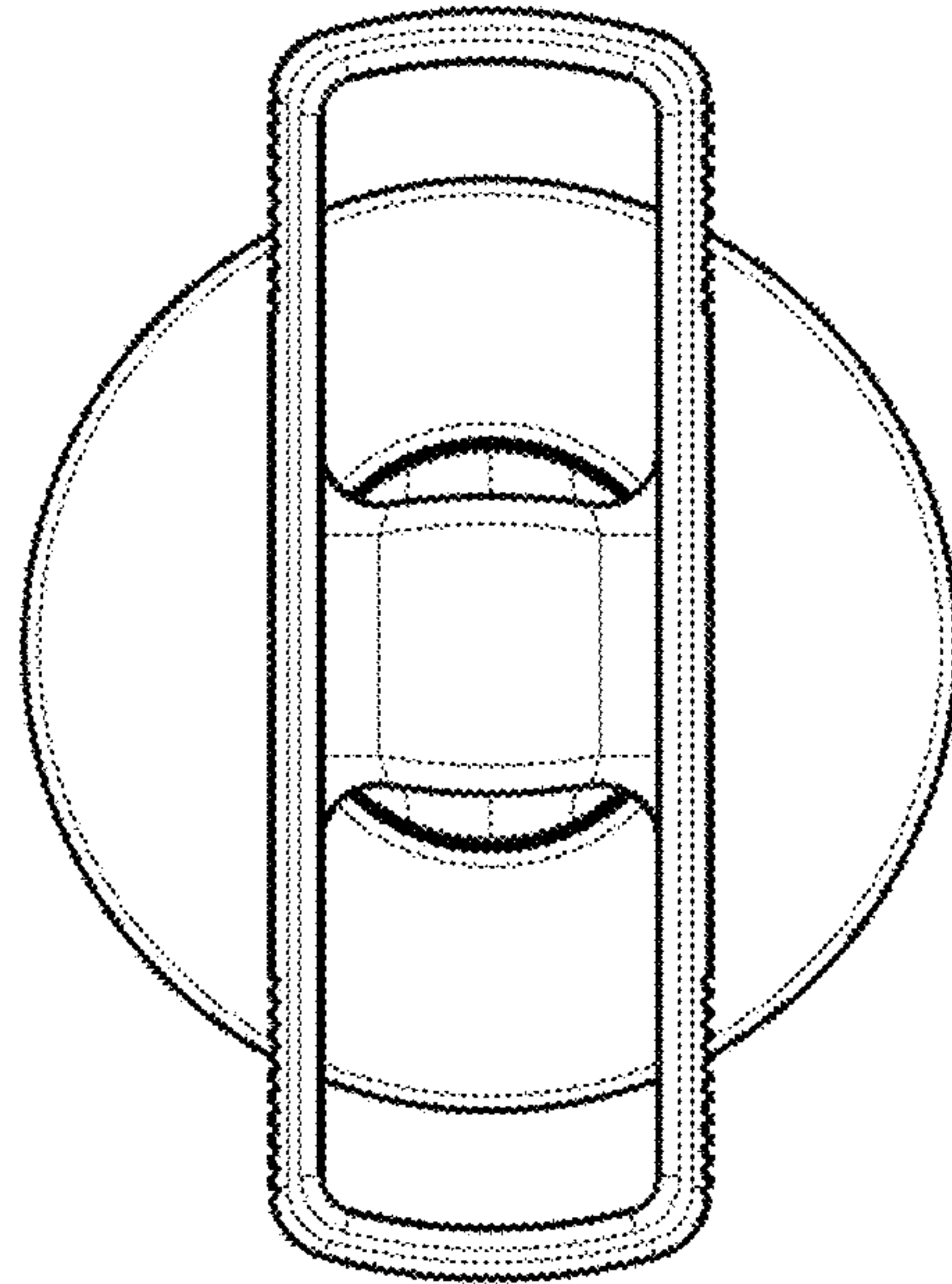


FIG - 3

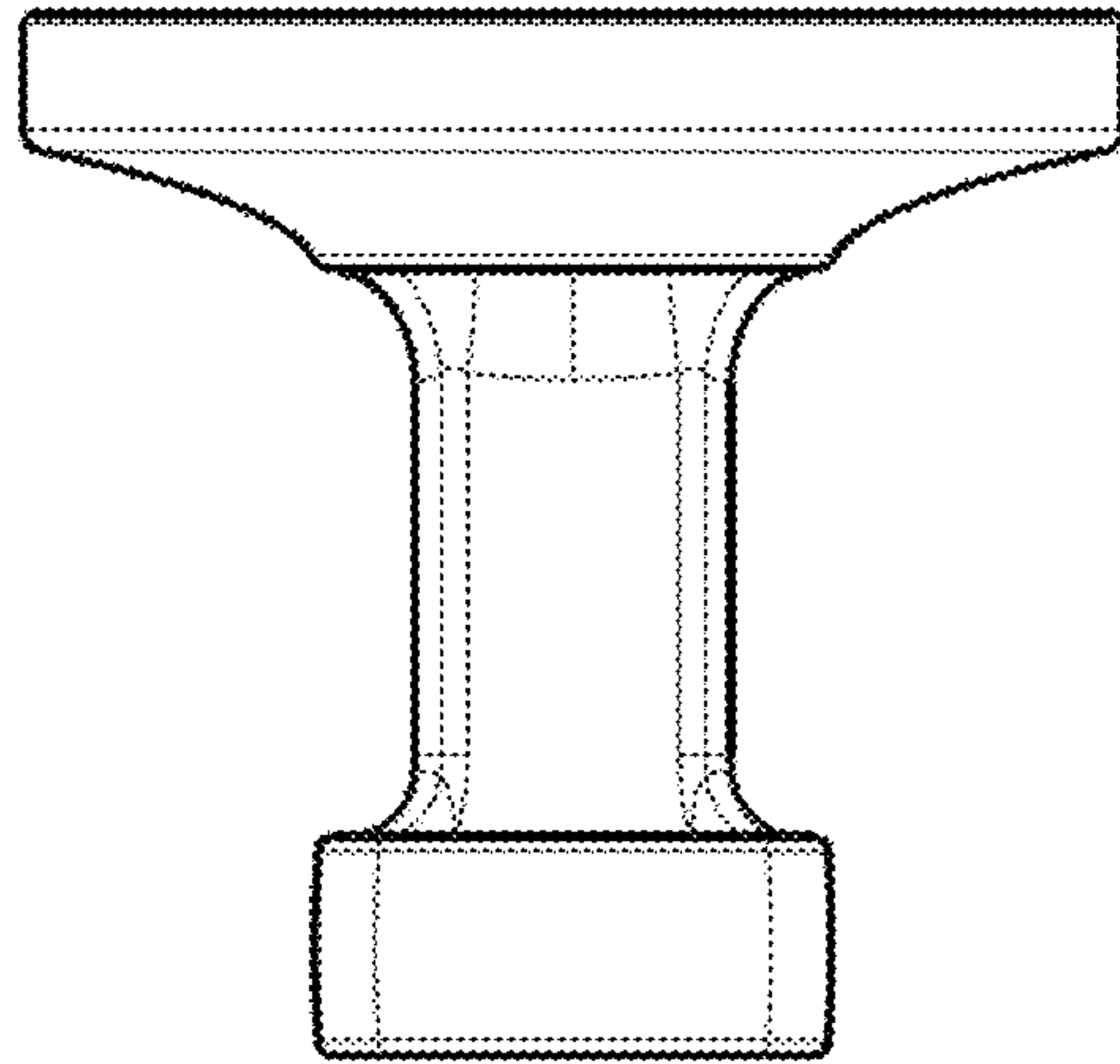


FIG - 6

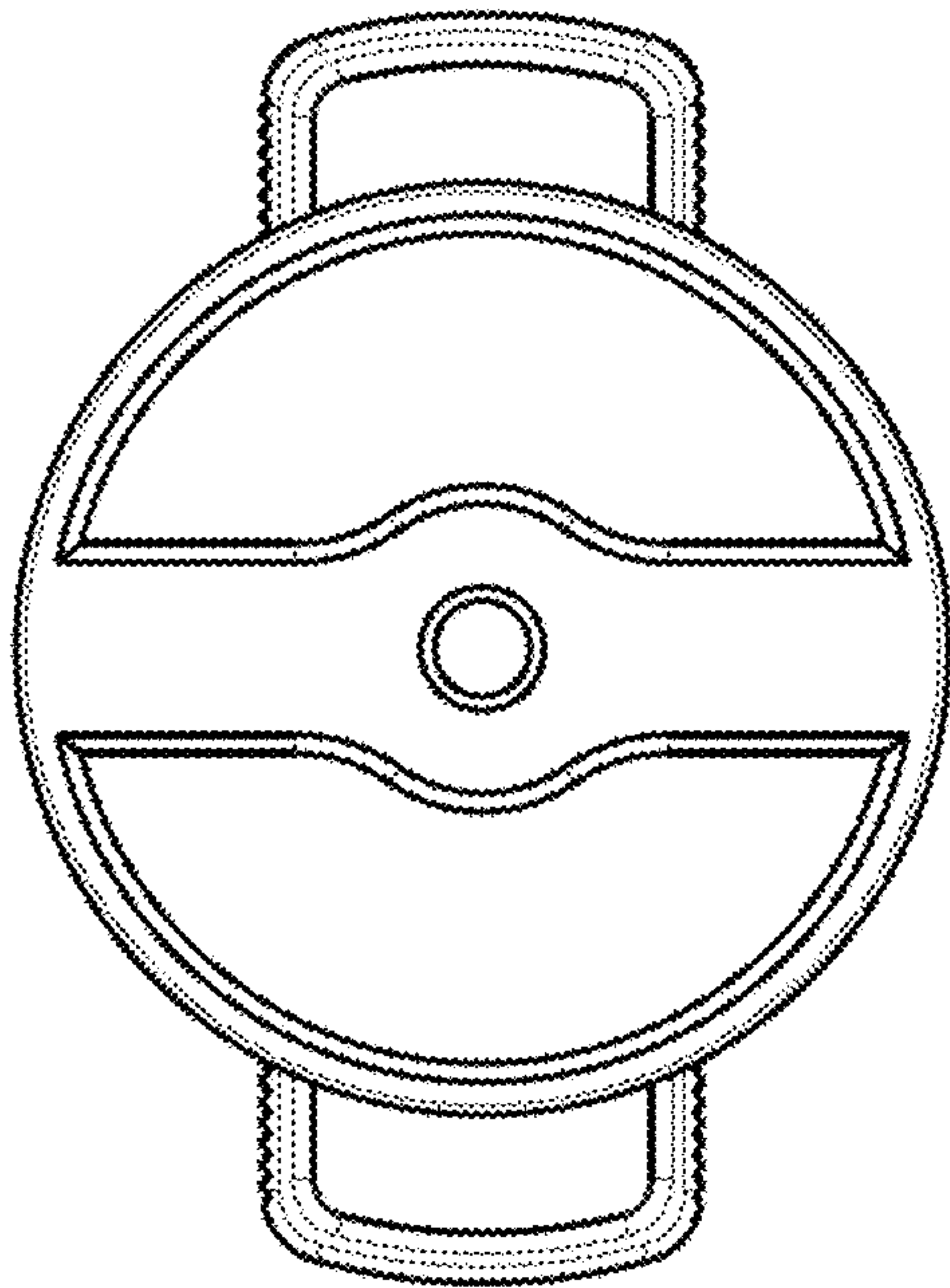


FIG - 5

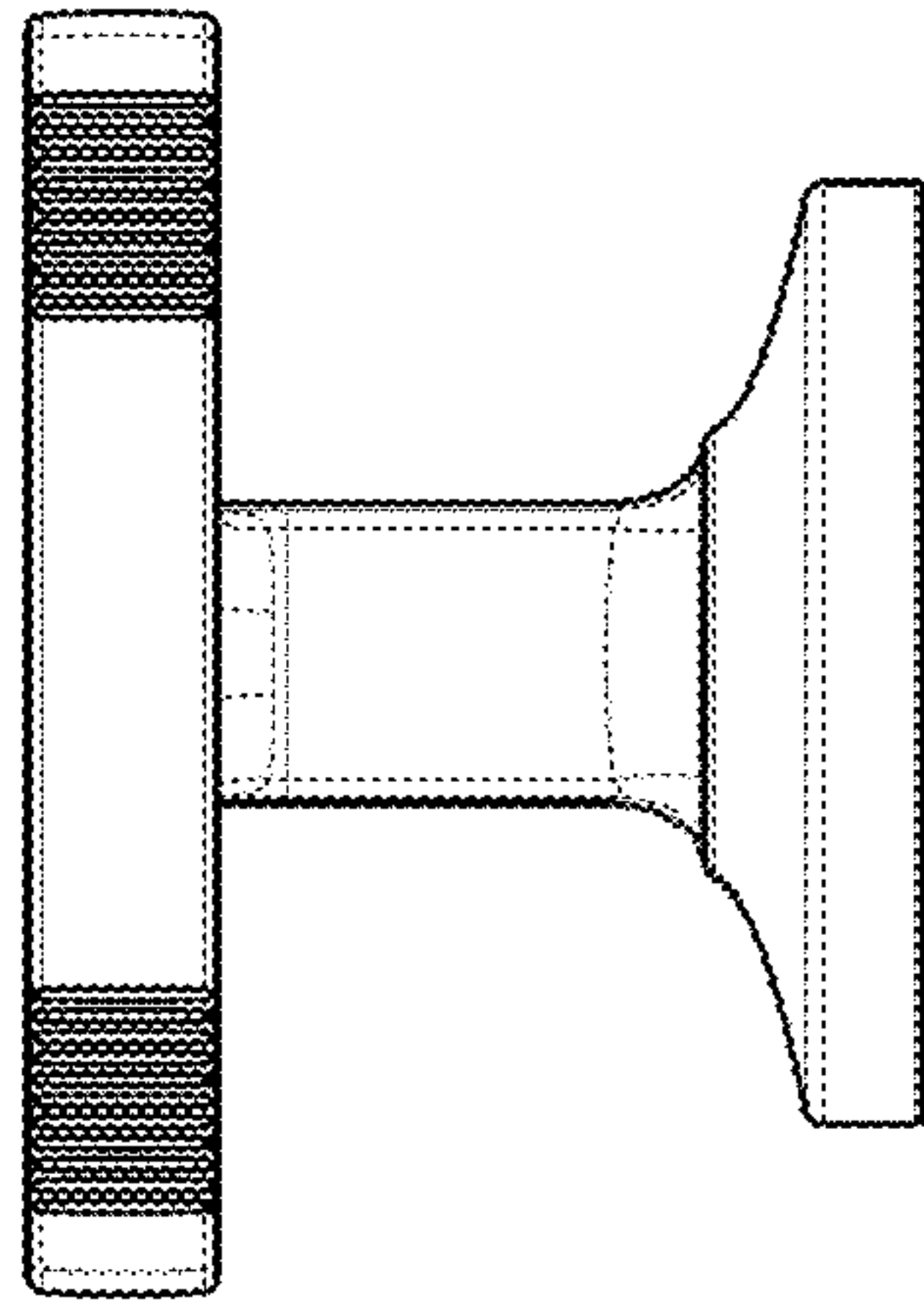


FIG - 8

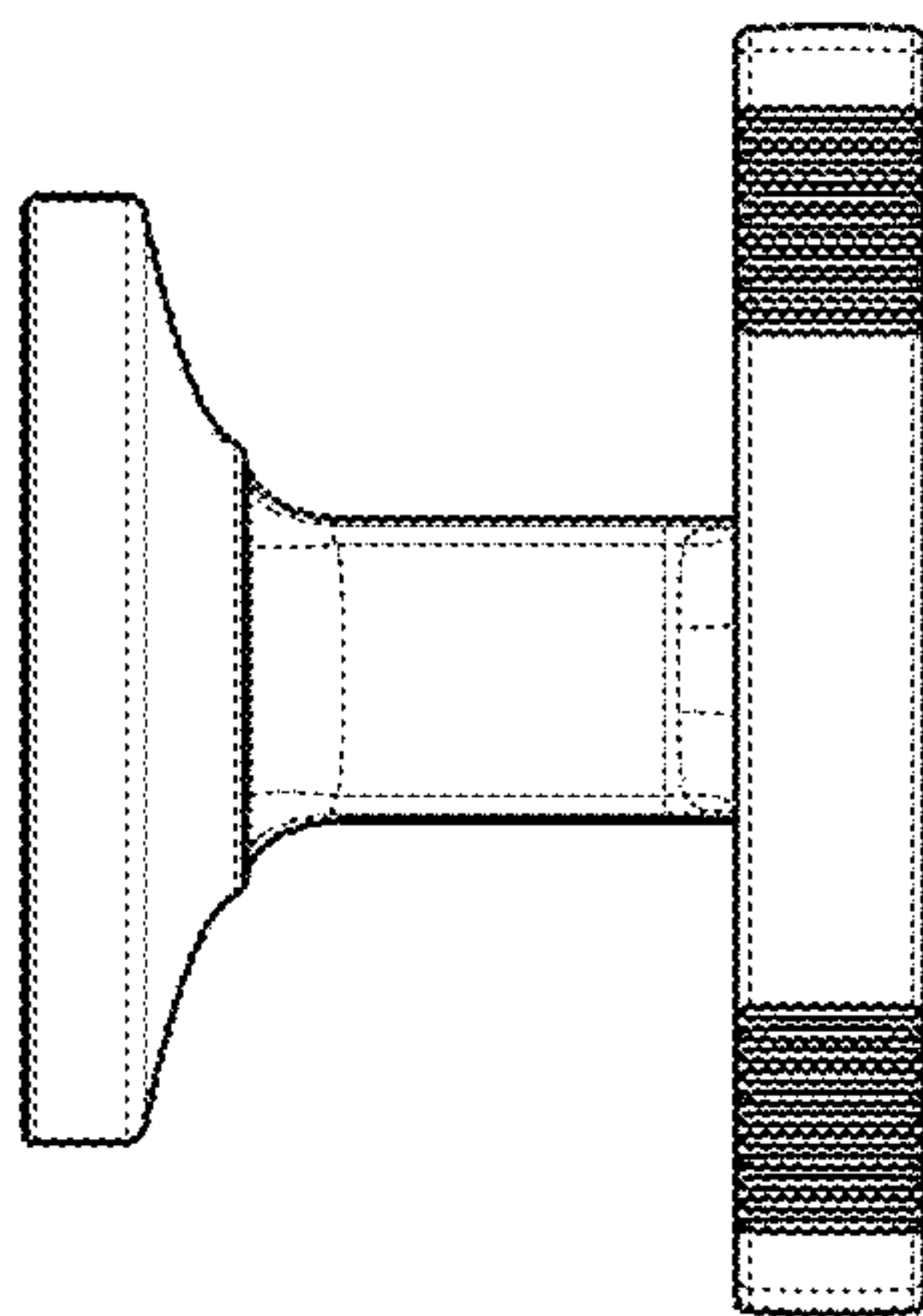


FIG - 7