



US00D904570S

(12) **United States Design Patent** (10) **Patent No.:** **US D904,570 S**  
**Soulier et al.** (45) **Date of Patent:** **\*\* Dec. 8, 2020**

(54) **SHOWER HANDLE ASSEMBLY**  
(71) Applicant: **Kohler Co.**, Kohler, WI (US)  
(72) Inventors: **Jean-Hugues Soulier**, Paris (FR); **Ferran Serra Sola**, Paris (FR); **Chia Lee**, Chicago, IL (US); **Jimin Niu**, Beijing (CN); **Sophie Su**, Shanghai (CN); **Hui Ren**, Beijing (CN)  
(73) Assignee: **KOHLER CO.**, Kohler, WI (US)  
(\*\*) Term: **15 Years**  
(21) Appl. No.: **29/637,730**  
(22) Filed: **Feb. 21, 2018**  
(51) **LOC (12) Cl.** ..... **23-01**  
(52) **U.S. Cl.**  
USPC ..... **D23/250**  
(58) **Field of Classification Search**  
USPC ..... D23/238–241, 250, 252–254;  
D8/307–308, 305, 352  
CPC ..... Y10T 137/9464; Y10T 137/6014; Y10T  
137/6017  
See application file for complete search history.

D740,397 S \* 10/2015 Bahler ..... D23/252  
D741,453 S \* 10/2015 Bahler ..... D23/238  
D743,508 S \* 11/2015 Nikles ..... D23/252  
D783,131 S \* 4/2017 Wang ..... D23/254  
D787,640 S \* 5/2017 Kirar ..... D23/252  
D789,493 S \* 6/2017 Dube ..... D23/254  
D803,357 S \* 11/2017 Lucchese ..... D23/238  
D837,945 S \* 1/2019 Soulier ..... D23/252  
D863,510 S \* 10/2019 Meyers ..... D23/254  
D888,894 S \* 6/2020 Thomas ..... D23/242

\* cited by examiner

*Primary Examiner* — Robert A Delehanty  
(74) *Attorney, Agent, or Firm* — Foley & Lardner LLP

(57) **CLAIM**

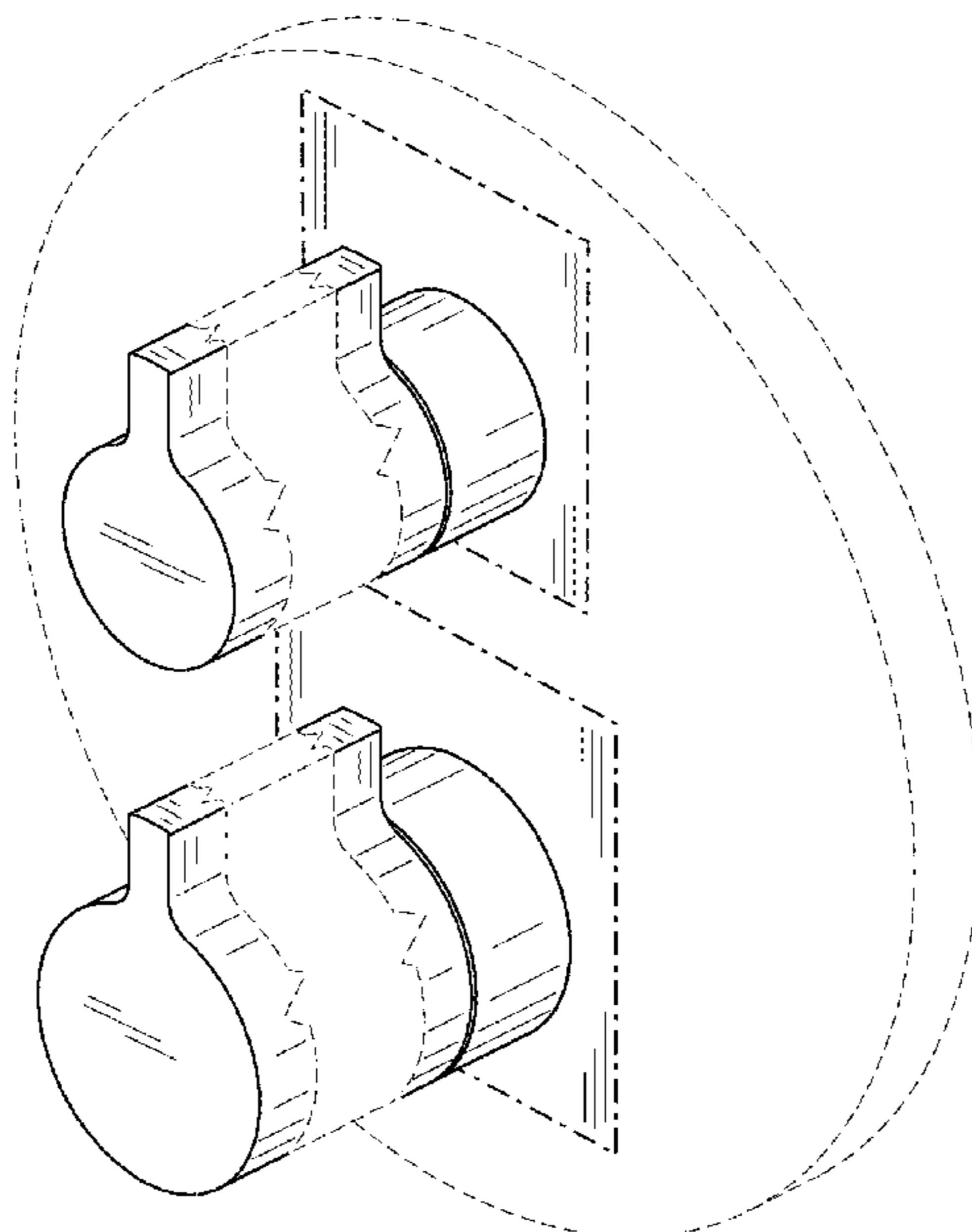
We claim the ornamental design for a shower handle assembly, as shown and described.

**DESCRIPTION**

FIG. 1 is a perspective view of an embodiment of the claimed design;  
FIG. 2 is a front elevation view thereof;  
FIG. 3 is a rear elevation view thereof;  
FIG. 4 is a view thereof from the first direction;  
FIG. 5 is a view thereof from the second direction;  
FIG. 6 is a view thereof from the third direction; and,  
FIG. 7 is a view thereof from the fourth direction.  
The ornamental design which is claimed is shown in solid lines in the drawings. The broken lines in the drawings are for illustrative purposes only and form no part of the claimed design. Broken lines formed by equal length dashes show unclaimed subject matter. Broken lines formed by unequal length dashes (i.e., dash-dot) define bounds of the claimed design. Broken away symbols having a jagged element show that no particular length of the portion is claimed. The appearance of any portion of the article between the broken symbols forms no part of the claimed design.

**1 Claim, 5 Drawing Sheets**

(56) **References Cited**  
U.S. PATENT DOCUMENTS  
D300,942 S \* 5/1989 Paul ..... D23/242  
D363,765 S \* 10/1995 Starck ..... D23/254  
D462,421 S 9/2002 Hundley  
D531,277 S 10/2006 Tsai  
D542,384 S \* 5/2007 Starck ..... D23/254  
D592,284 S \* 5/2009 Lammel ..... D23/254  
D627,444 S \* 11/2010 Yokoyama ..... D23/254  
D627,861 S 11/2010 Sandee et al.  
D700,291 S \* 2/2014 Schoenherr ..... D23/254  
D737,938 S \* 9/2015 Schoenherr ..... D23/242  
D739,502 S \* 9/2015 Bahler ..... D23/242



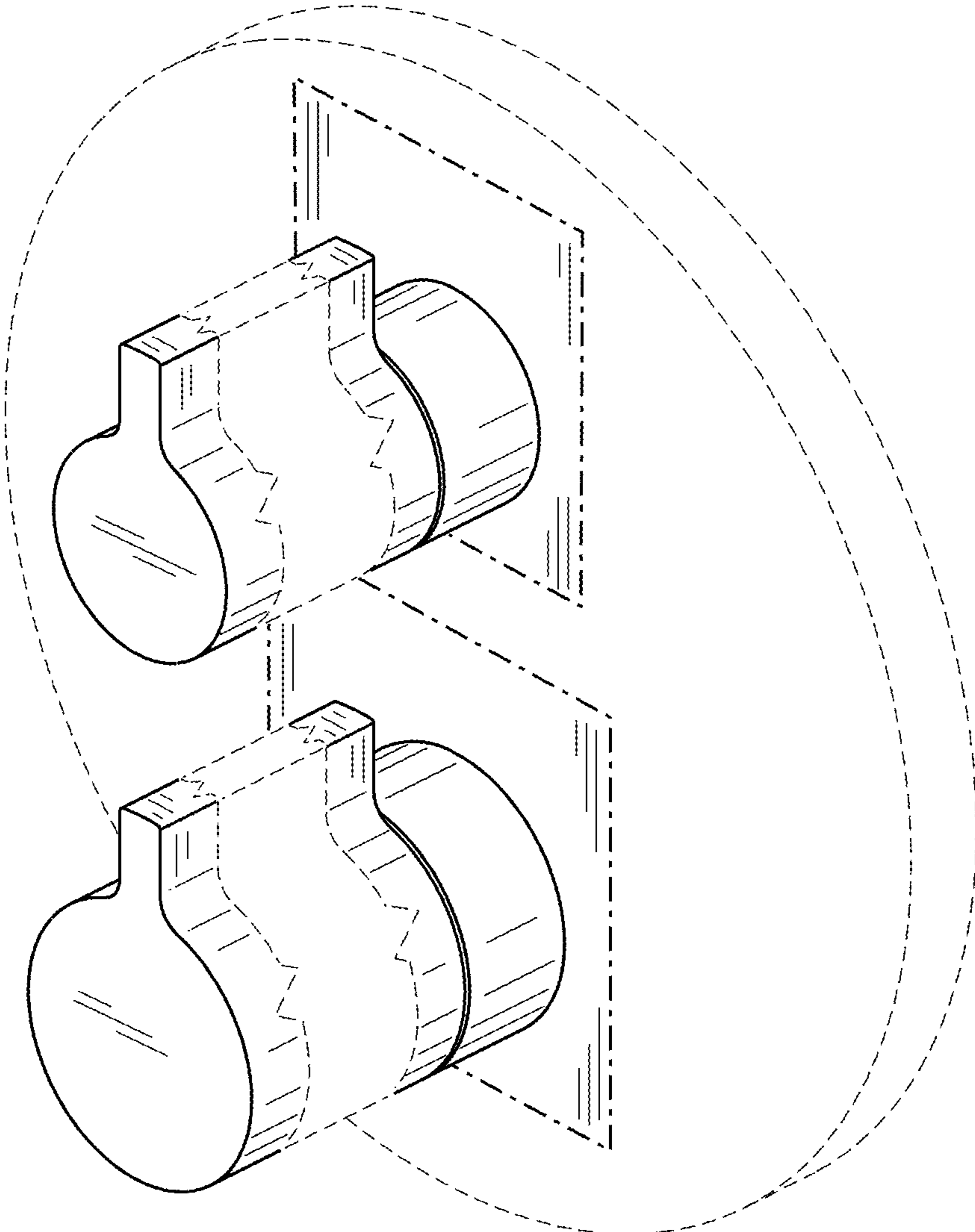


FIG. 1

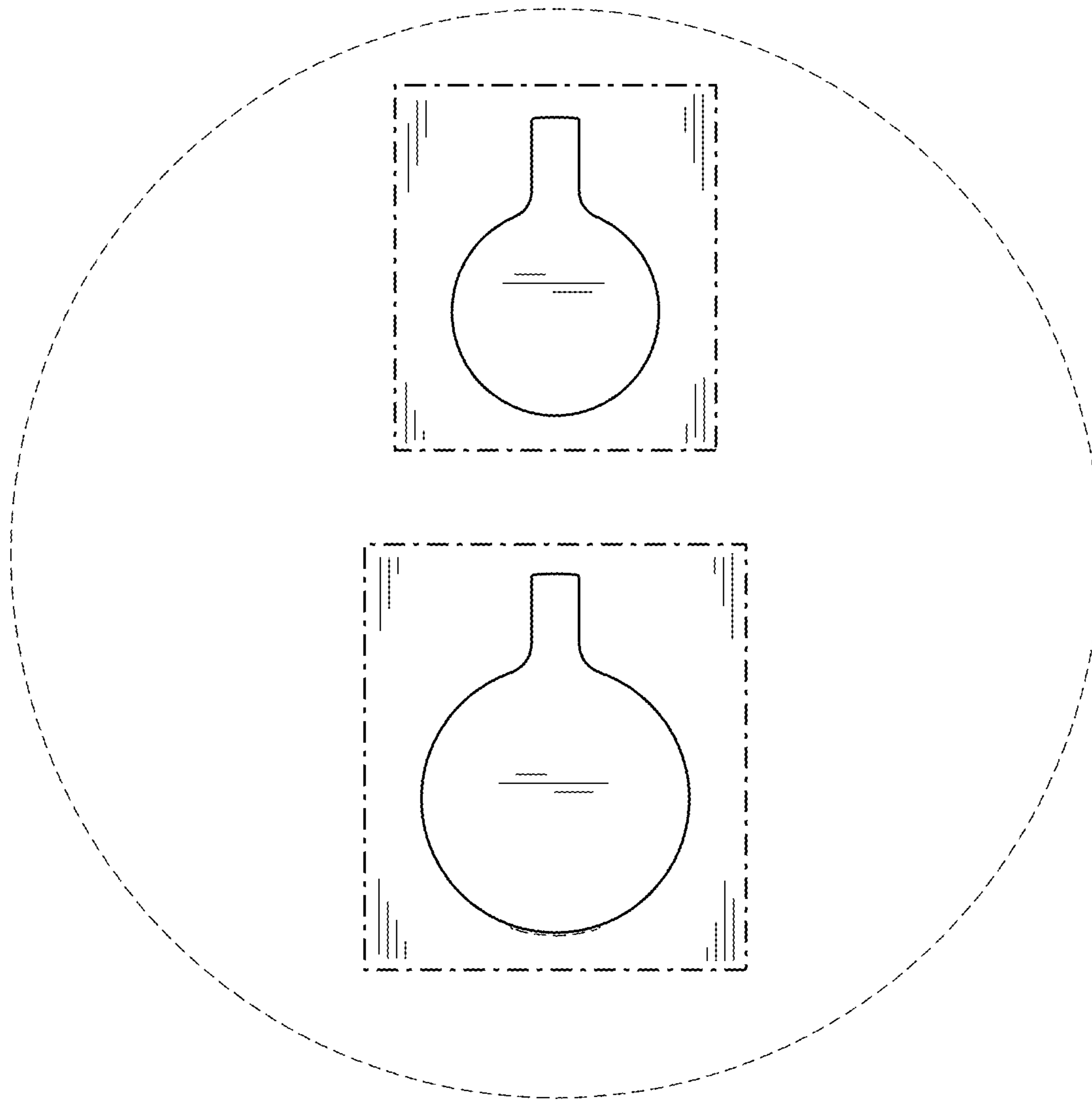


FIG. 2

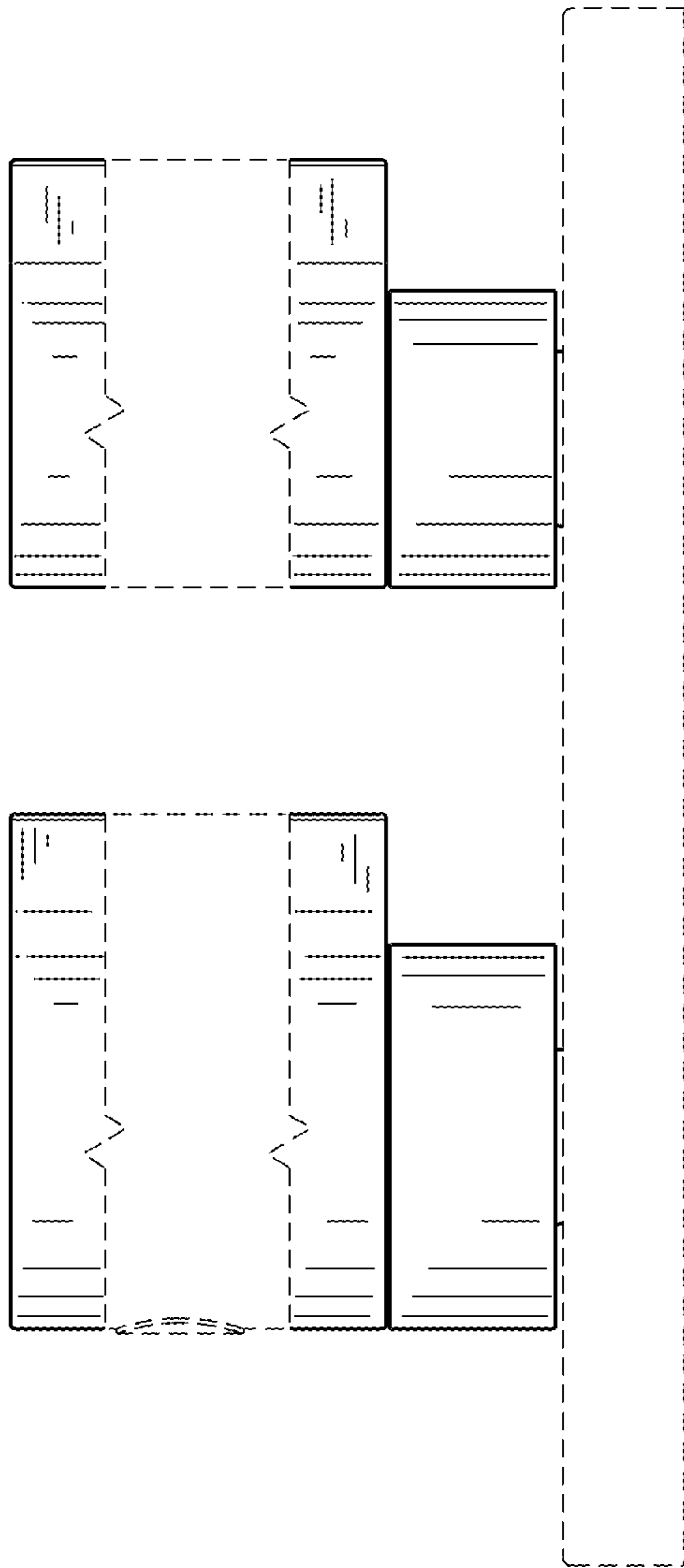


FIG. 3

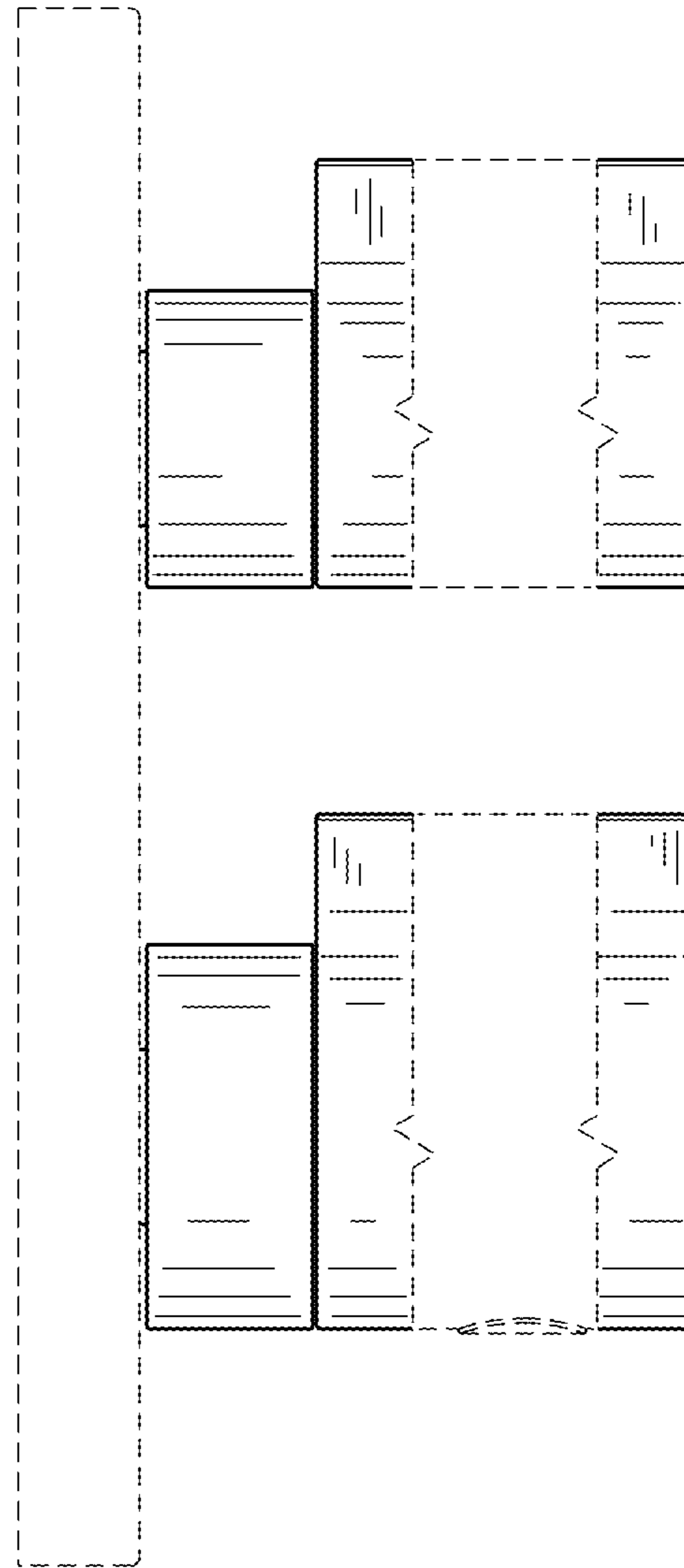


FIG. 4

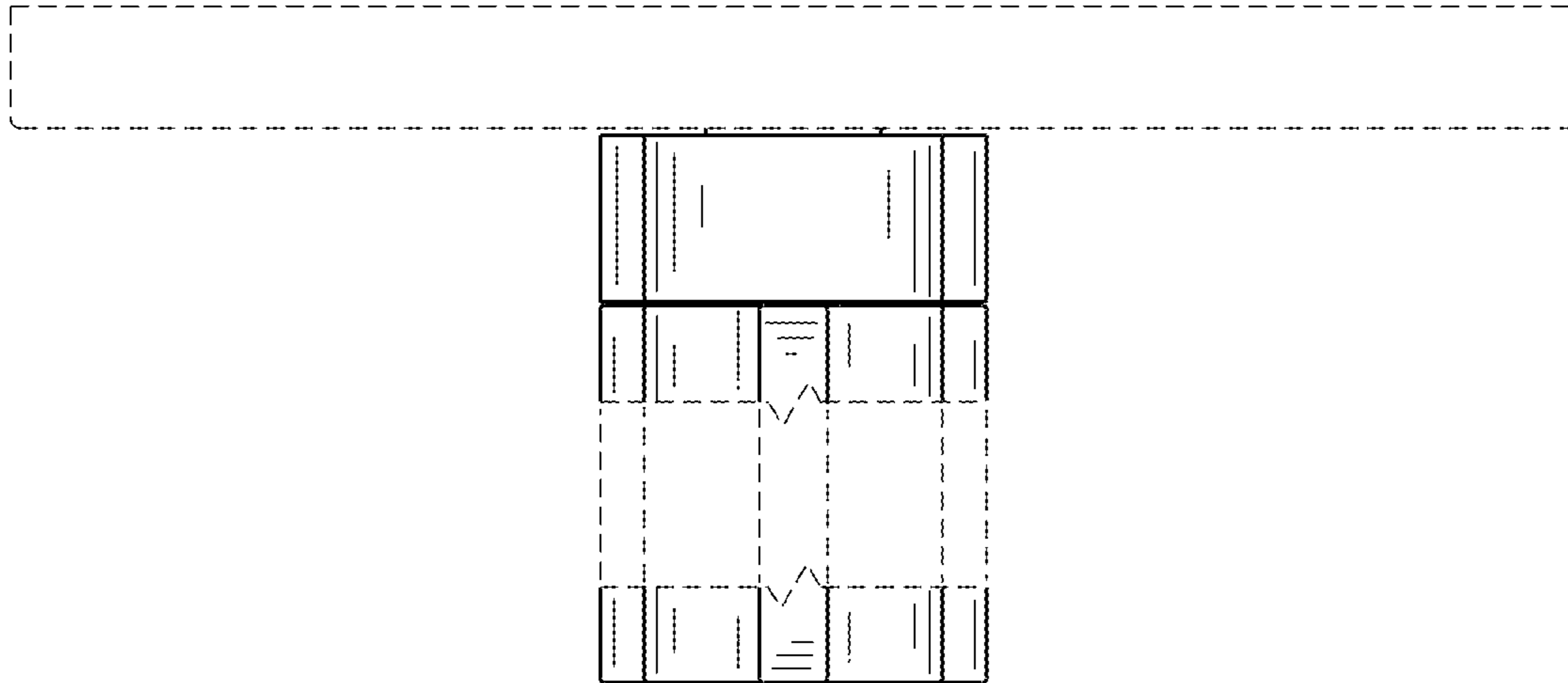


FIG. 5

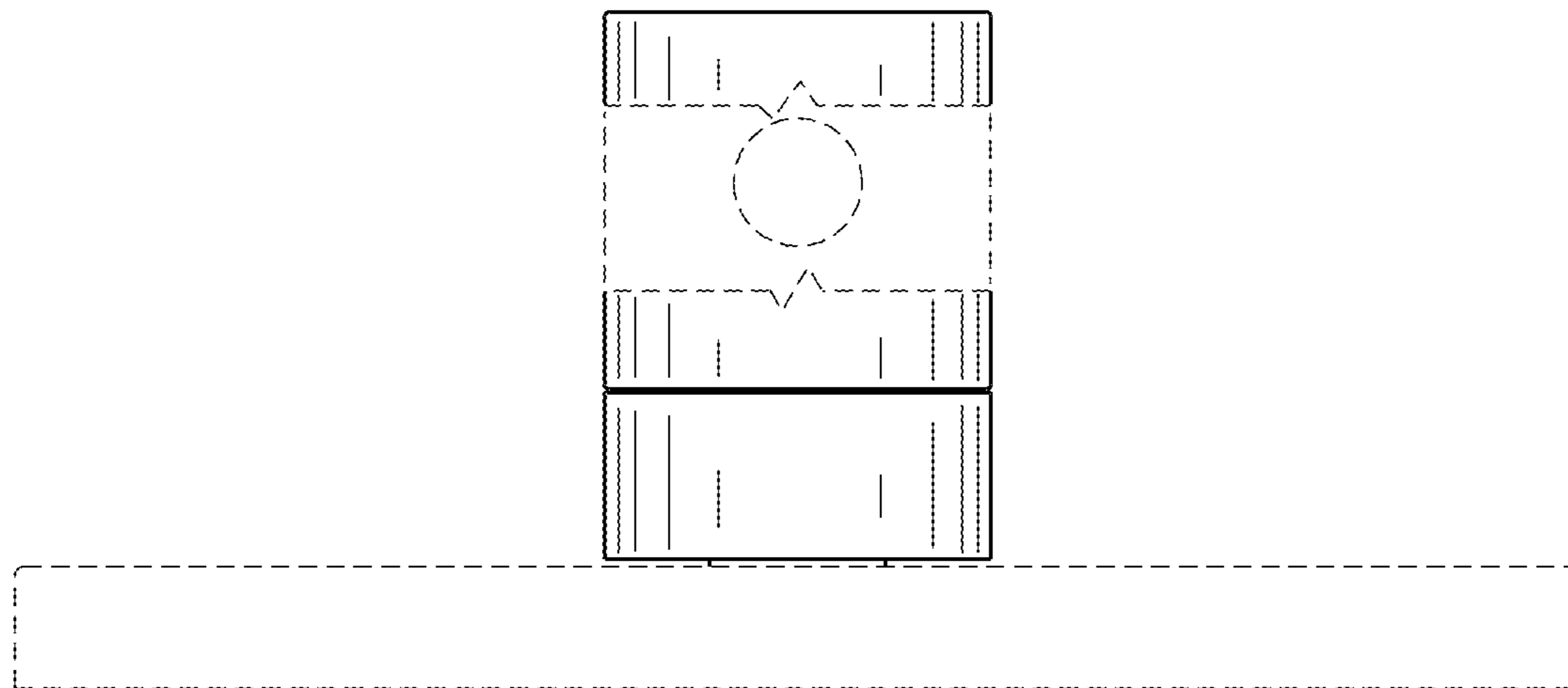


FIG. 6

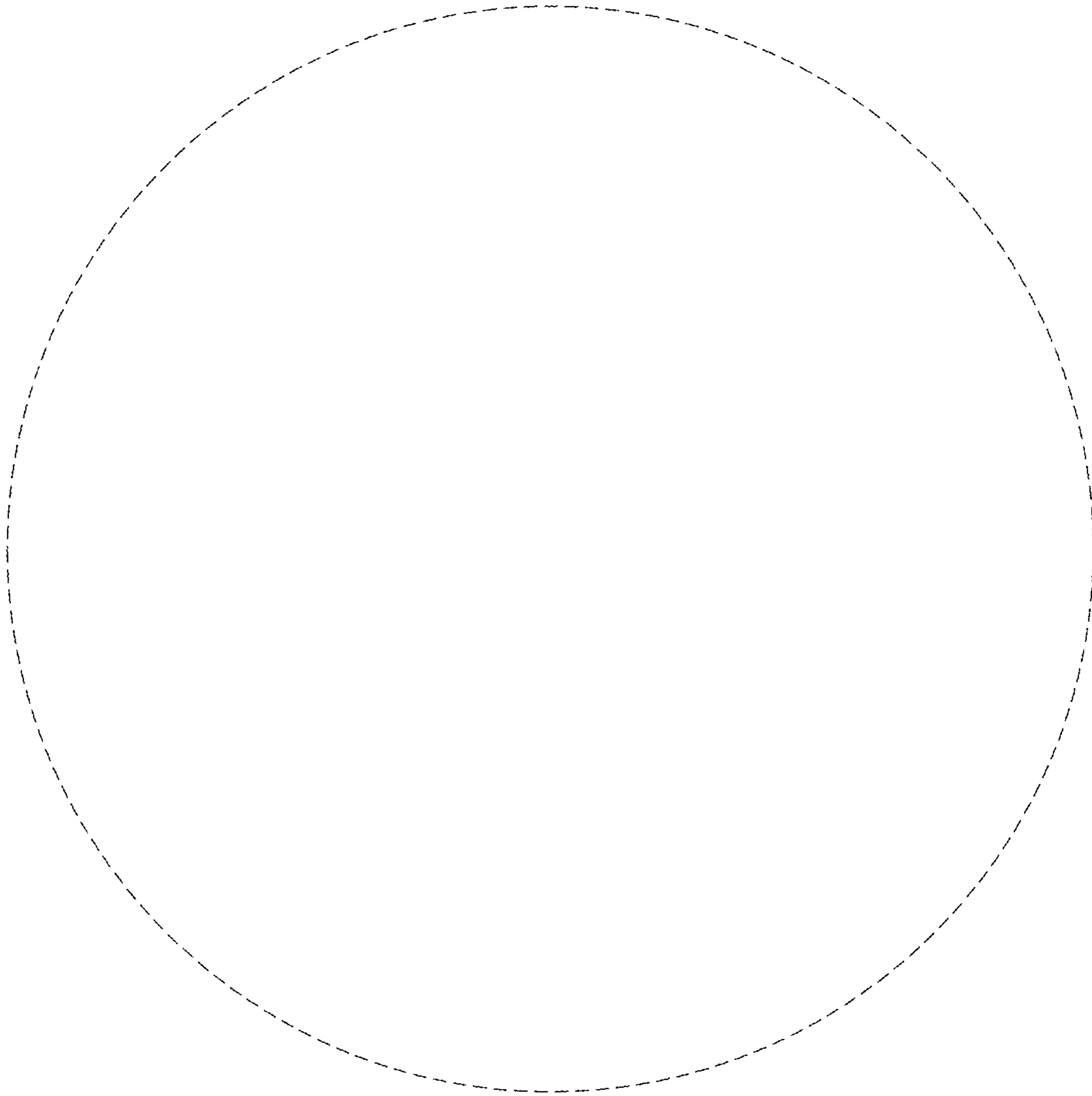


FIG. 7