



US00D904569S

(12) **United States Design Patent**
Pan

(10) **Patent No.:** **US D904,569 S**

(45) **Date of Patent:** **** Dec. 8, 2020**

(54) **FAUCET**

(71) Applicant: **Aisita (Shenzhen) Technology Co., Ltd.**, Shenzhen (CN)

(72) Inventor: **Yu Pan**, Guangdong (CN)

(73) Assignee: **Aisita (Shenzhen) Technology Co., Ltd.**, Shenzhen (CN)

(**) Term: **15 Years**

(21) Appl. No.: **29/745,790**

(22) Filed: **Aug. 10, 2020**

(51) **LOC (12) Cl.** **23-01**

(52) **U.S. Cl.**
USPC **D23/242**

(58) **Field of Classification Search**
USPC D23/238–243, 249–250, 252, 254, 245;
D8/307–308

See application file for complete search history.

(56) **References Cited**

U.S. PATENT DOCUMENTS

D265,229 S * 6/1982 Paul D23/242
D265,580 S * 7/1982 Paul D23/242

D360,016 S * 7/1995 Hsieh D23/241
D510,612 S * 10/2005 Lammel D23/241
D566,815 S * 4/2008 Wang D23/242
D568,967 S * 5/2008 Williams D23/250
D570,450 S * 6/2008 Dolan D23/241
D674,051 S 1/2013 Uhl
D697,590 S 1/2014 Standefer
D834,148 S 11/2018 Thomas

* cited by examiner

Primary Examiner — Robert A Delehanty

(57) **CLAIM**

The ornamental design for a faucet, as shown and described.

DESCRIPTION

FIG. 1 is a perspective view of a faucet showing my new design;

FIG. 2 is a front view thereof;

FIG. 3 is a back view thereof;

FIG. 4 is a left side view thereof;

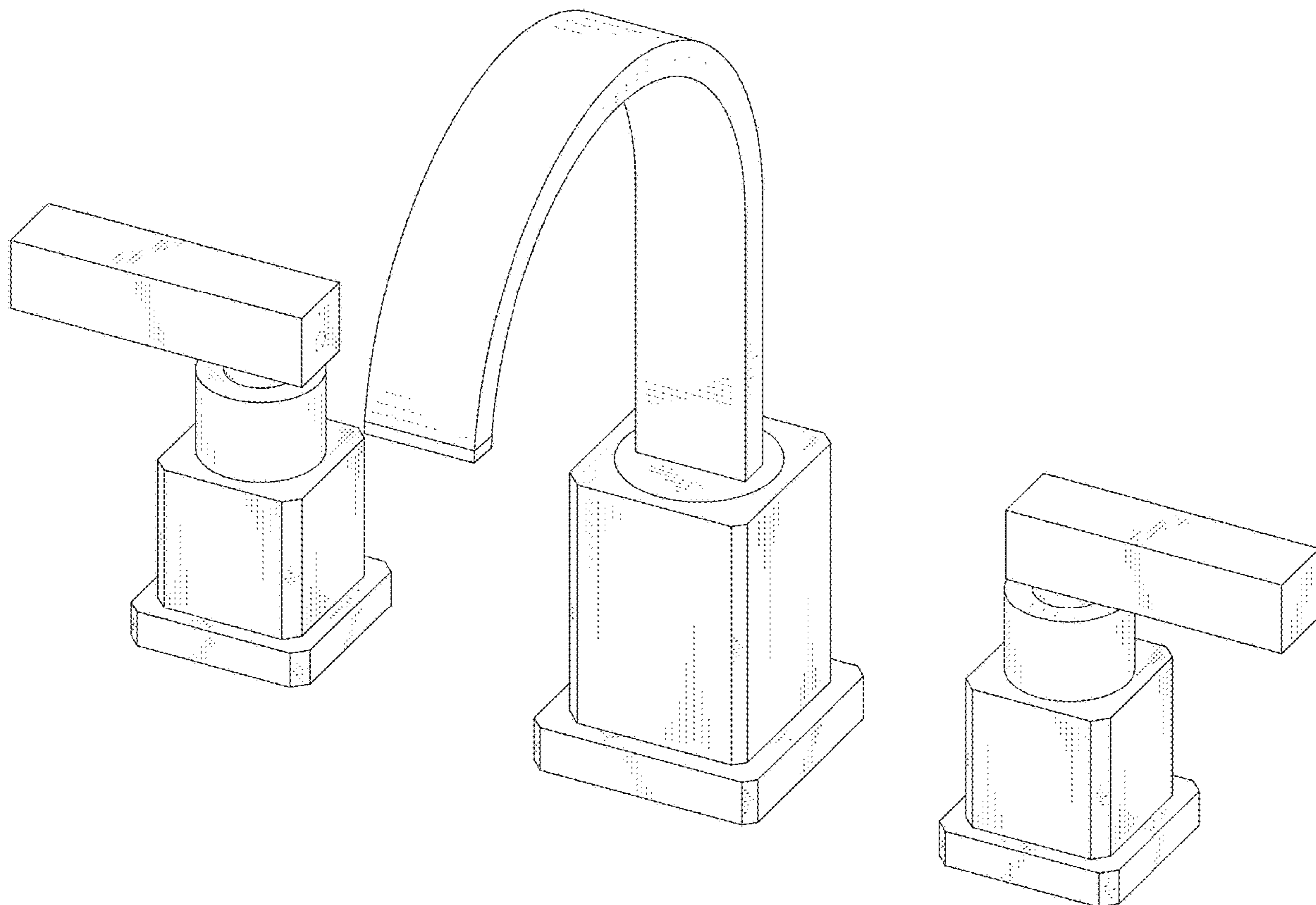
FIG. 5 is a right side view thereof;

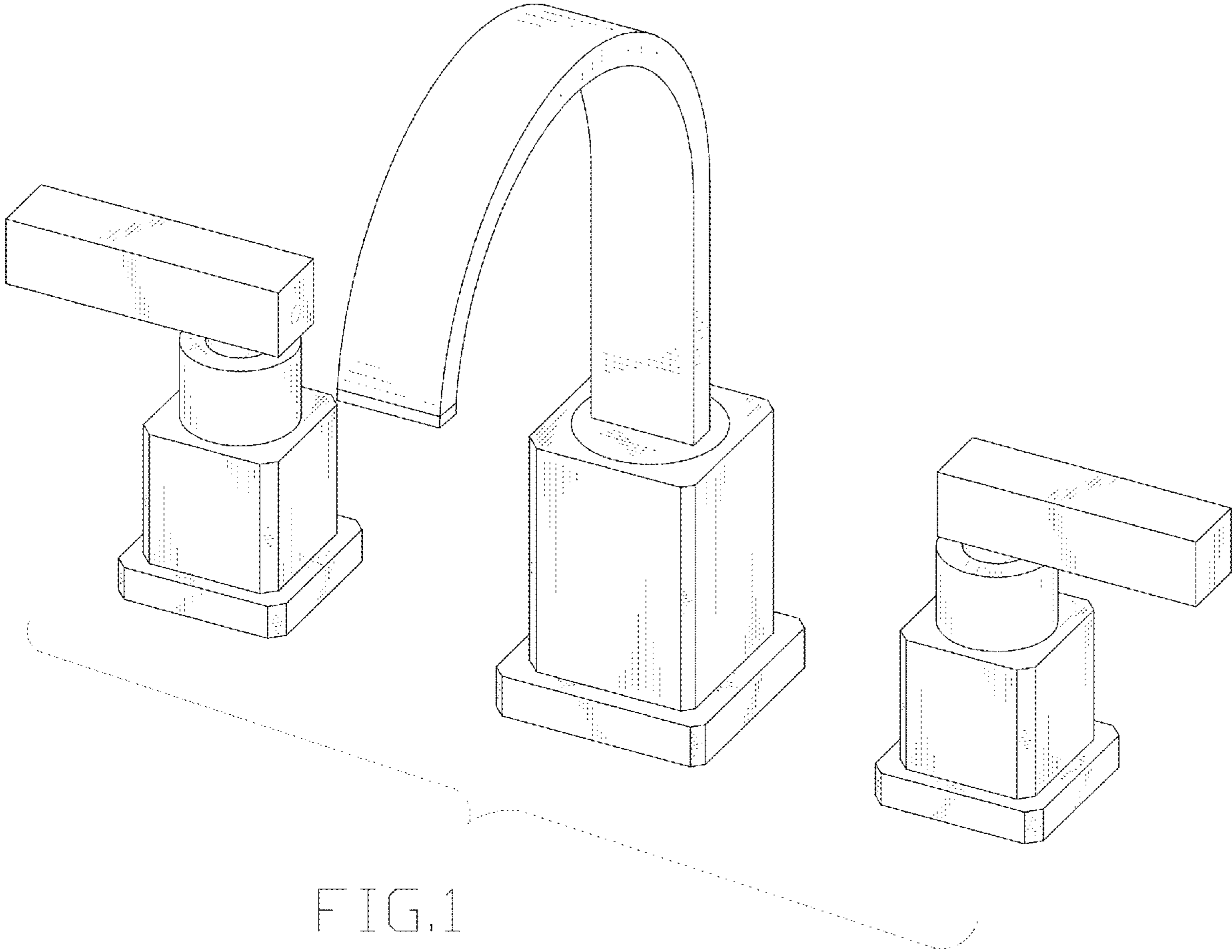
FIG. 6 is a top plan view thereof; and,

FIG. 7 is a bottom plan view thereof.

The broken lines in the drawing depict environmental subject matter only and form no part of the claimed design.

1 Claim, 7 Drawing Sheets





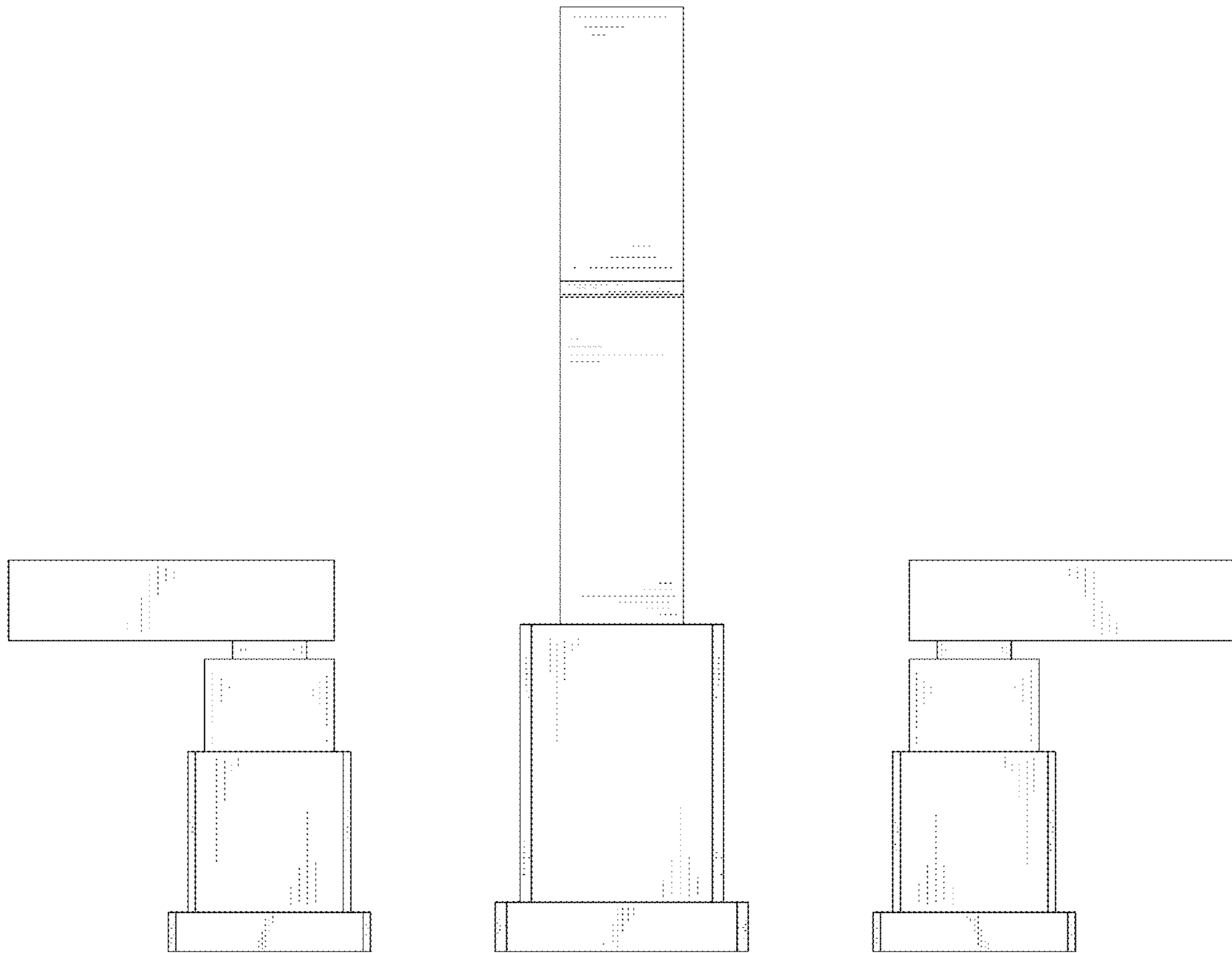


FIG.2

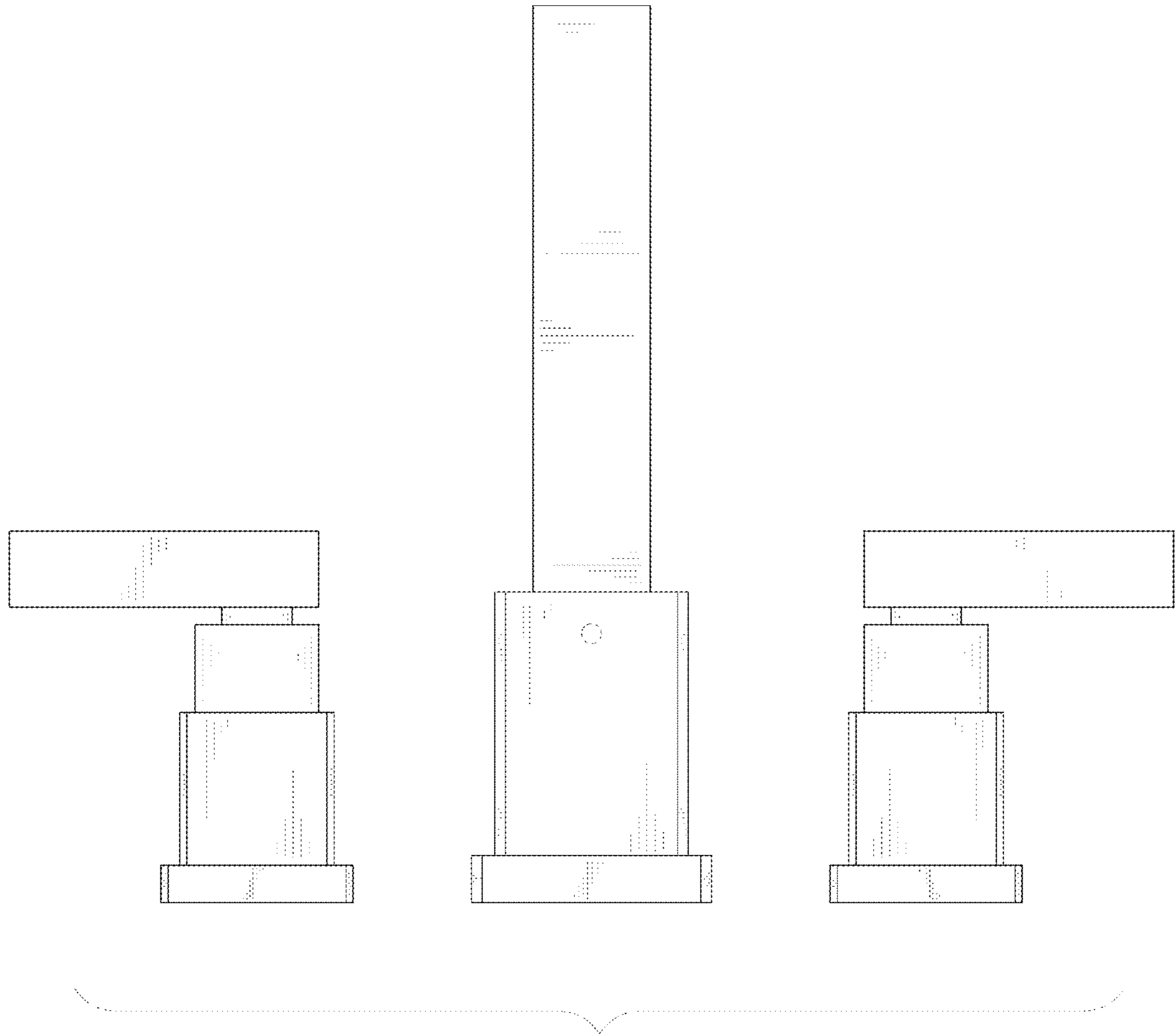


FIG.3

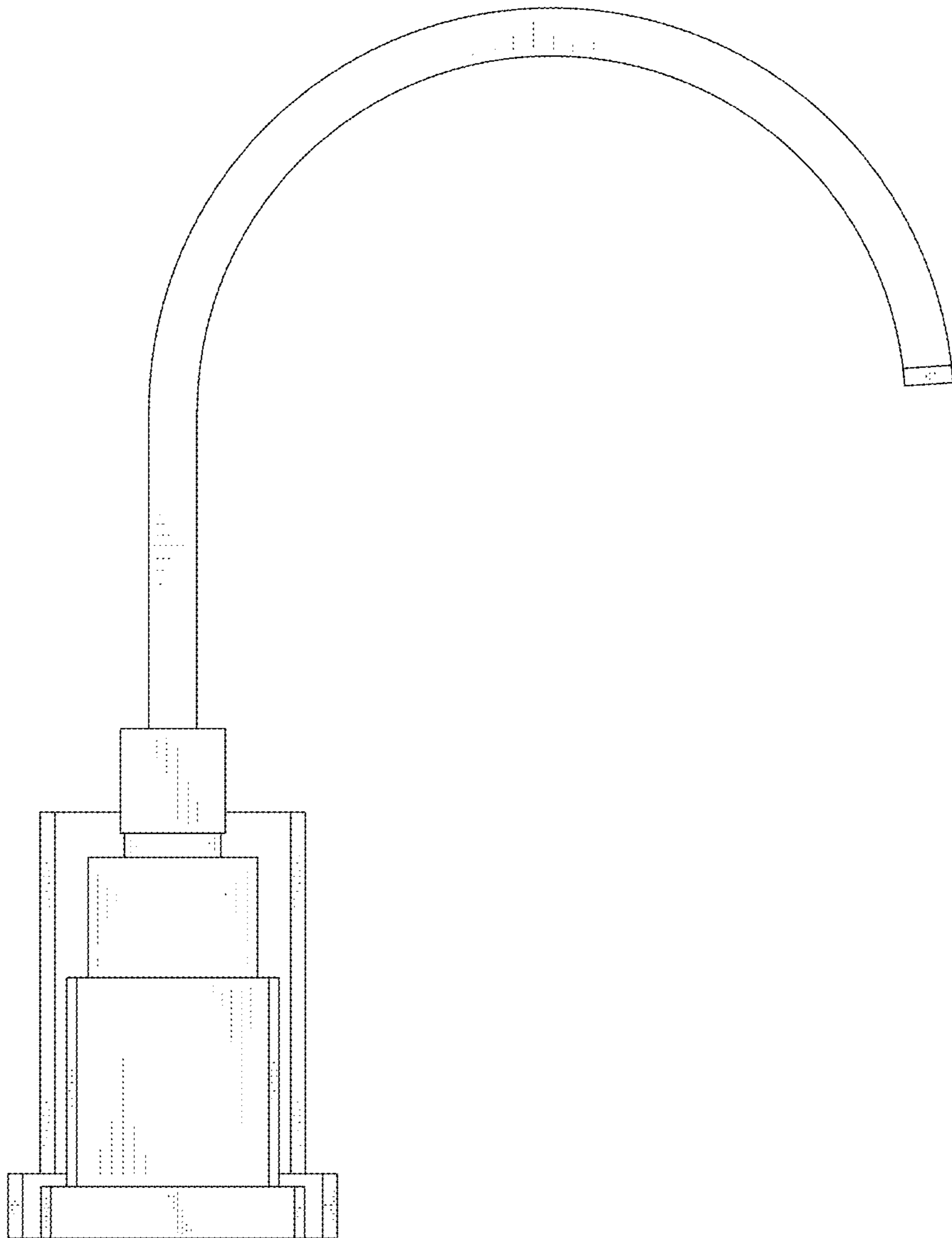


FIG. 4

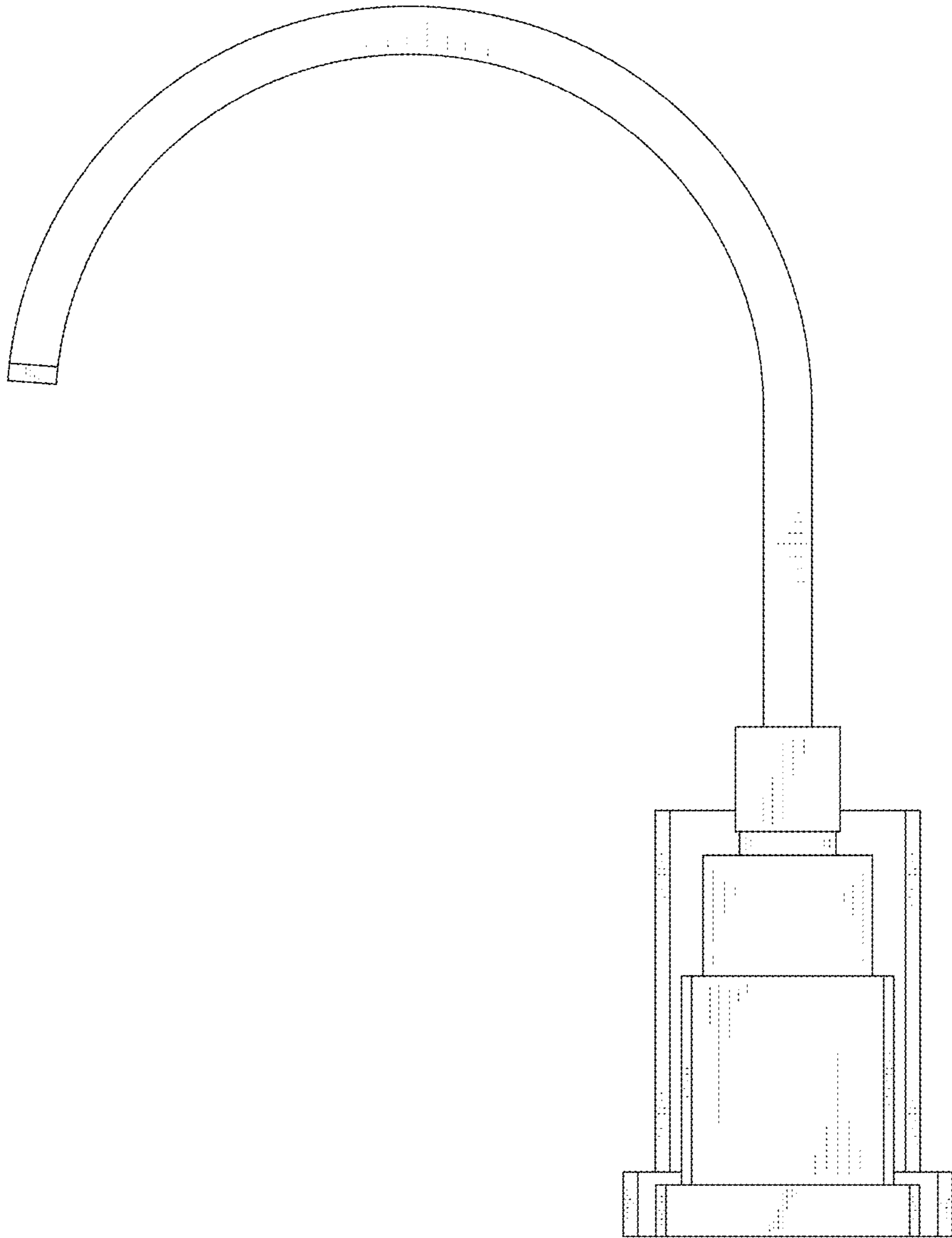


FIG.5

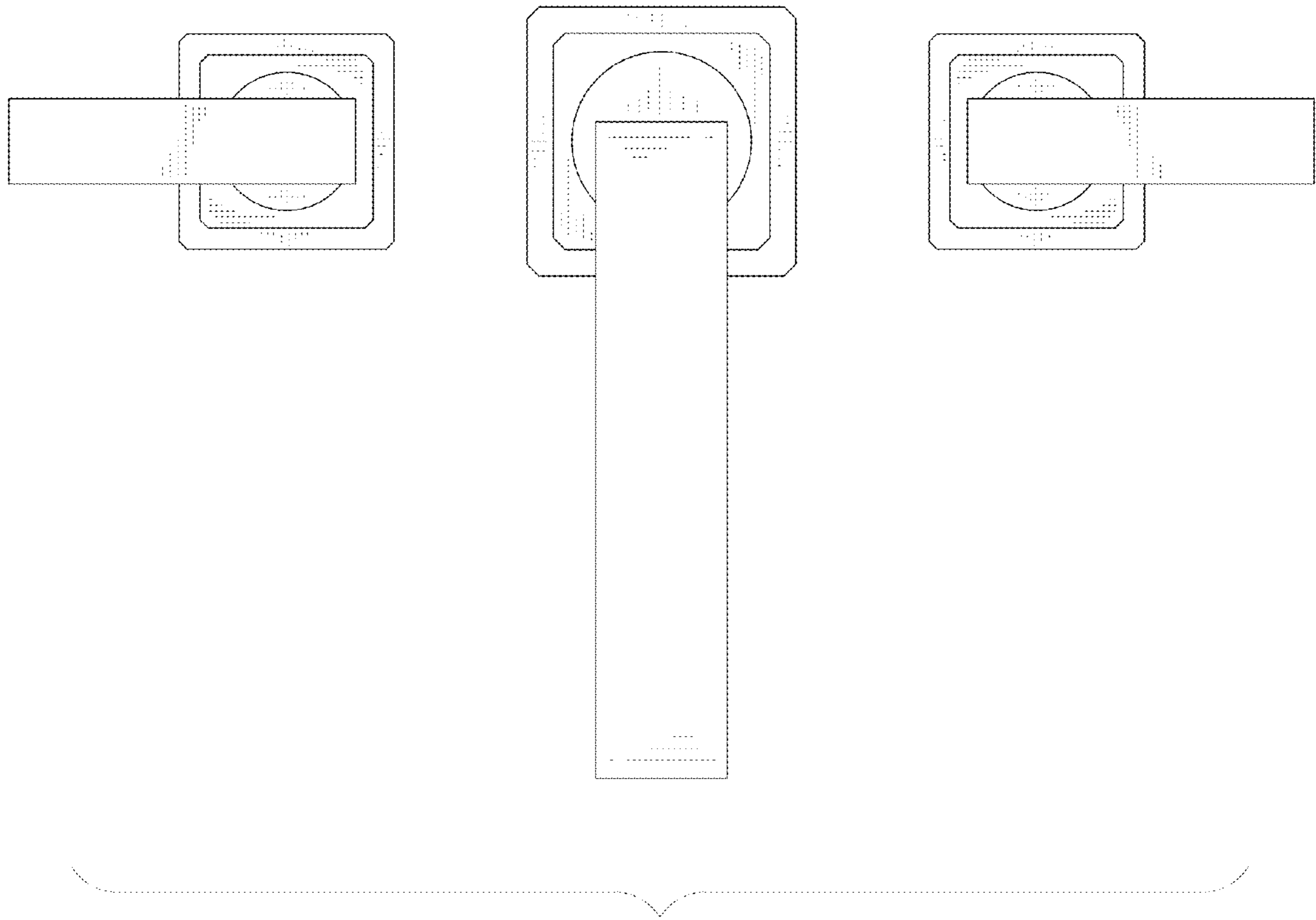


FIG.6

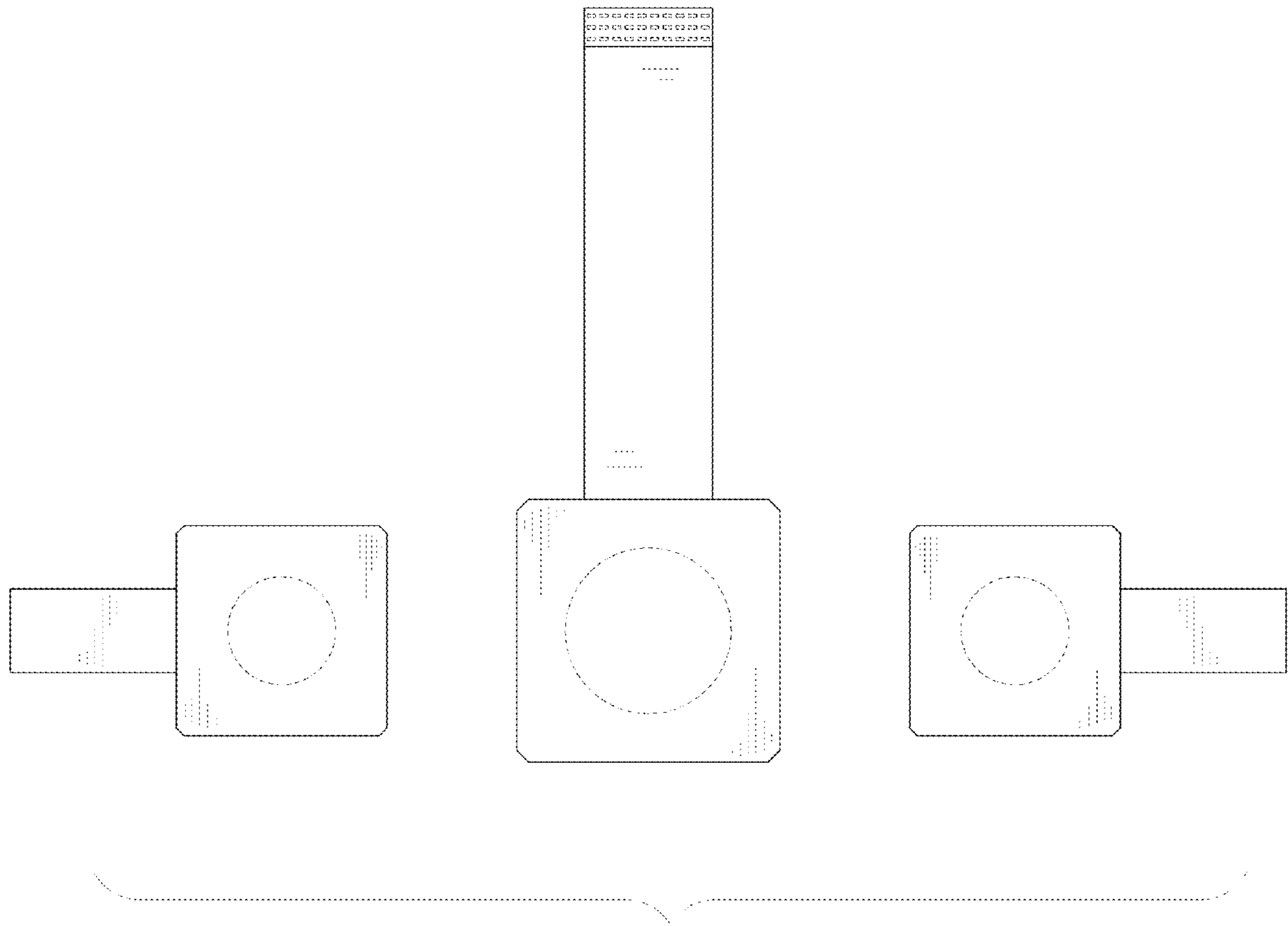


FIG. 7