



US00D904568S

(12) **United States Design Patent** (10) **Patent No.:** **US D904,568 S**
Melcher et al. (45) **Date of Patent:** **** Dec. 8, 2020**

(54) **VALVE**

(56) **References Cited**

(71) Applicant: **Dürr Systems AG**,
Bietigheim-Bissingen (DE)
(72) Inventors: **Rainer Melcher**, Oberstenfeld (DE);
Thomas Buck, Sachsenheim (DE);
Manfred Michelfelder, Steinheim (DE)

U.S. PATENT DOCUMENTS

D363,761 S * 10/1995 Eggleston D23/233
D421,791 S * 3/2000 Ohtani F02B 33/32
D23/260
D553,717 S * 10/2007 Nicholson D23/260
D585,522 S * 1/2009 Geideman D23/233
D725,747 S * 3/2015 Alexander D23/233
D728,072 S * 4/2015 Alexander D23/233
D739,919 S * 9/2015 Alexander D23/233
D871,552 S * 12/2019 Turner F02B 33/32
D23/249
D884,836 S * 5/2020 Yamamoto D23/245

(**) Term: **15 Years**

(21) Appl. No.: **35/507,357**

(22) Filed: **Feb. 26, 2019**

FOREIGN PATENT DOCUMENTS

(80) **Hague Agreement Data**

Int. Filing Date: **Feb. 26, 2019**
Int. Reg. No.: **DM/201287**
Int. Reg. Date: **Feb. 26, 2019**
Int. Reg. Pub. Date: **Aug. 30, 2019**

CN 301500067 * 3/2011

* cited by examiner

Primary Examiner — Keli L Hill

(30) **Foreign Application Priority Data**

Sep. 21, 2018 (EM) 005652534

(51) **LOC (12) Cl.** **23-01**

(52) **U.S. Cl.**
USPC **D23/233**

(58) **Field of Classification Search**
USPC D23/233, 235, 237, 245–249, 260
CPC F16K 31/16; F16K 31/082; F16K 31/084;
F16K 31/0254; F16K 31/0675; F16K
31/0668; F16K 31/1221

See application file for complete search history.

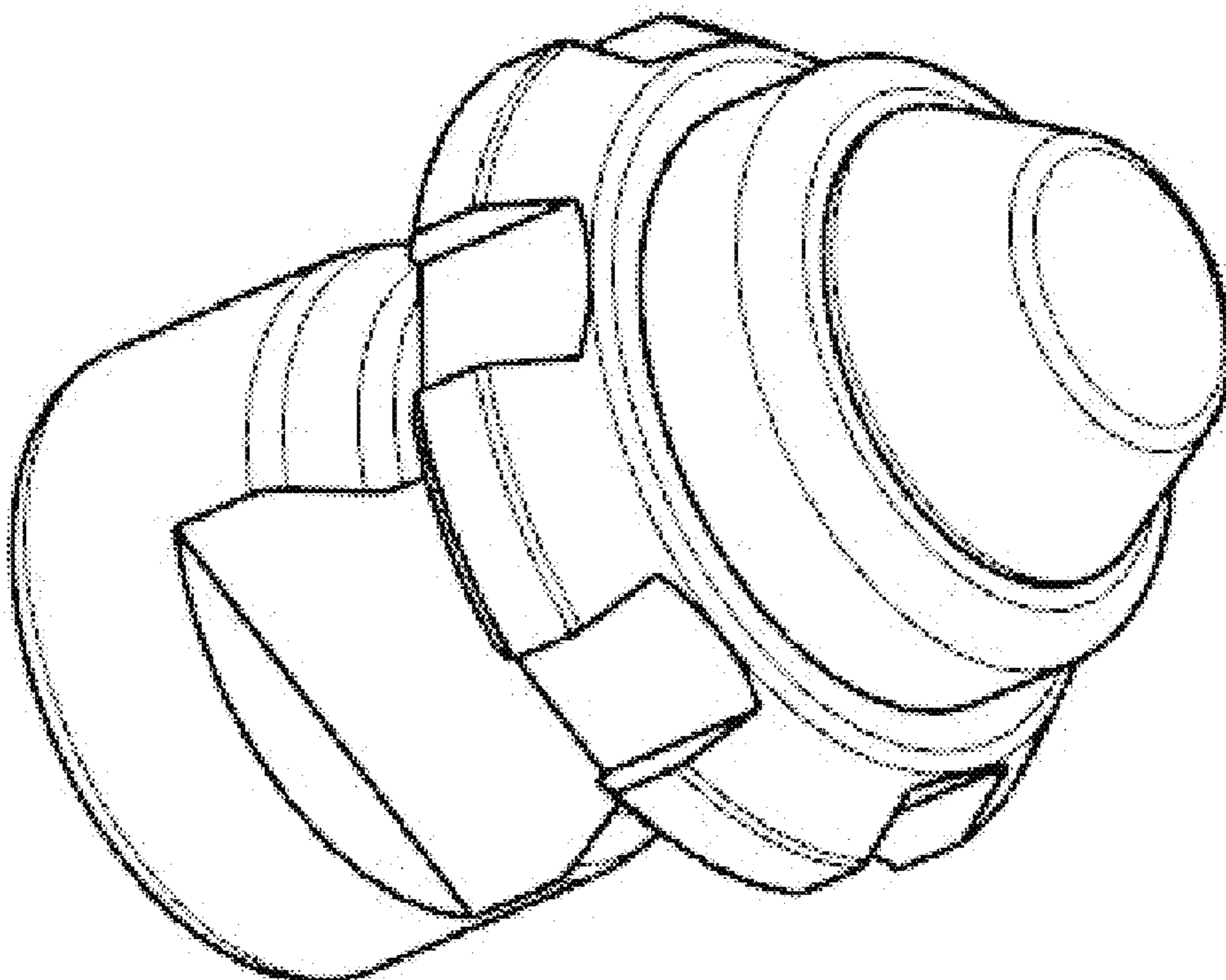
(57) **CLAIM**

The ornamental design for a valve, as shown and described.

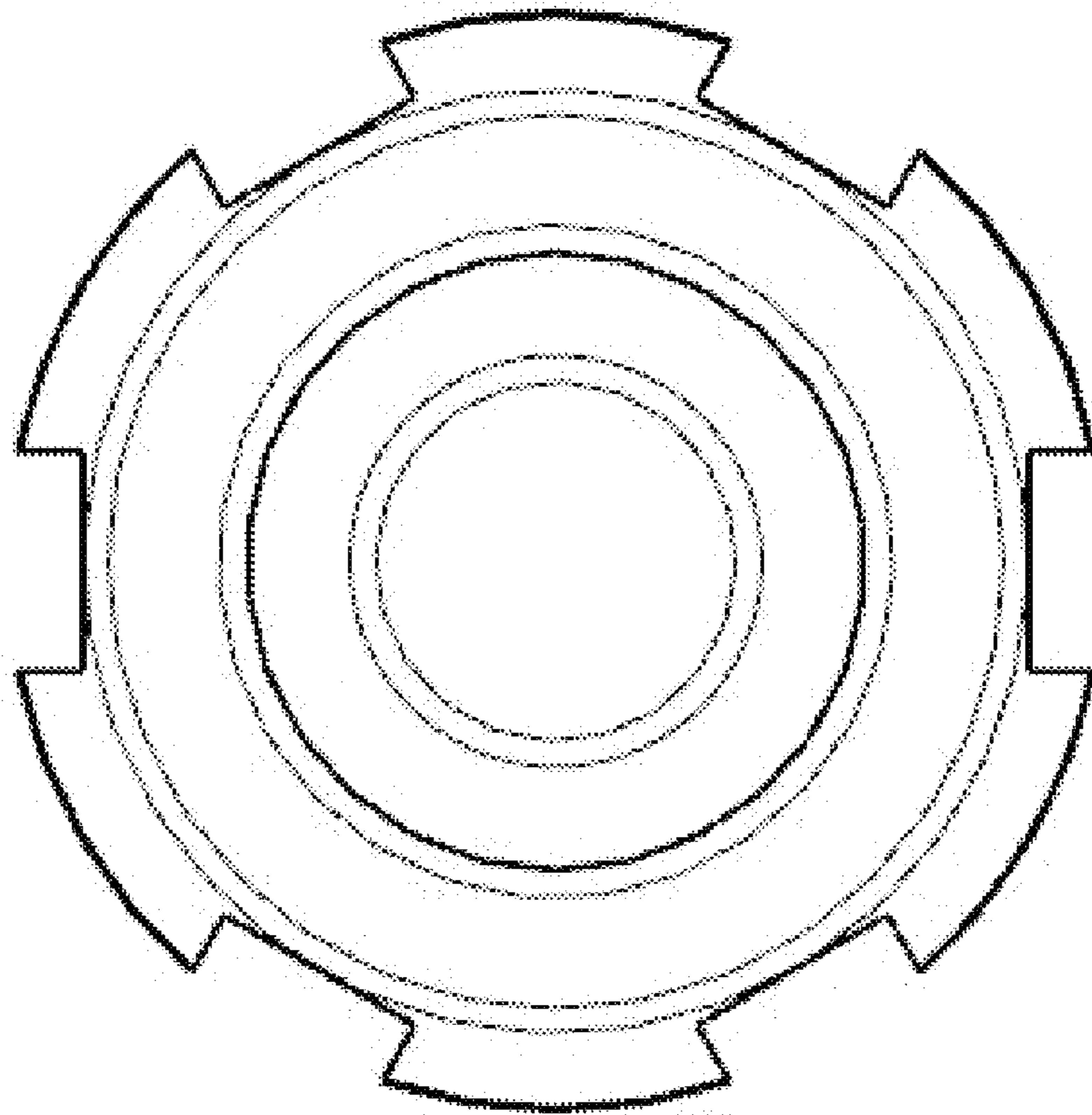
DESCRIPTION

- 1. Valve
- 1.1 is a top plan view.
- 1.2 is a bottom plant view.
- 1.3 is a front elevation view.
- 1.4 is a side elevation view.
- 1.5 is an opposite elevation side view.
- 1.6 is a rear elevation side view.
- 1.7 is a perspective view.

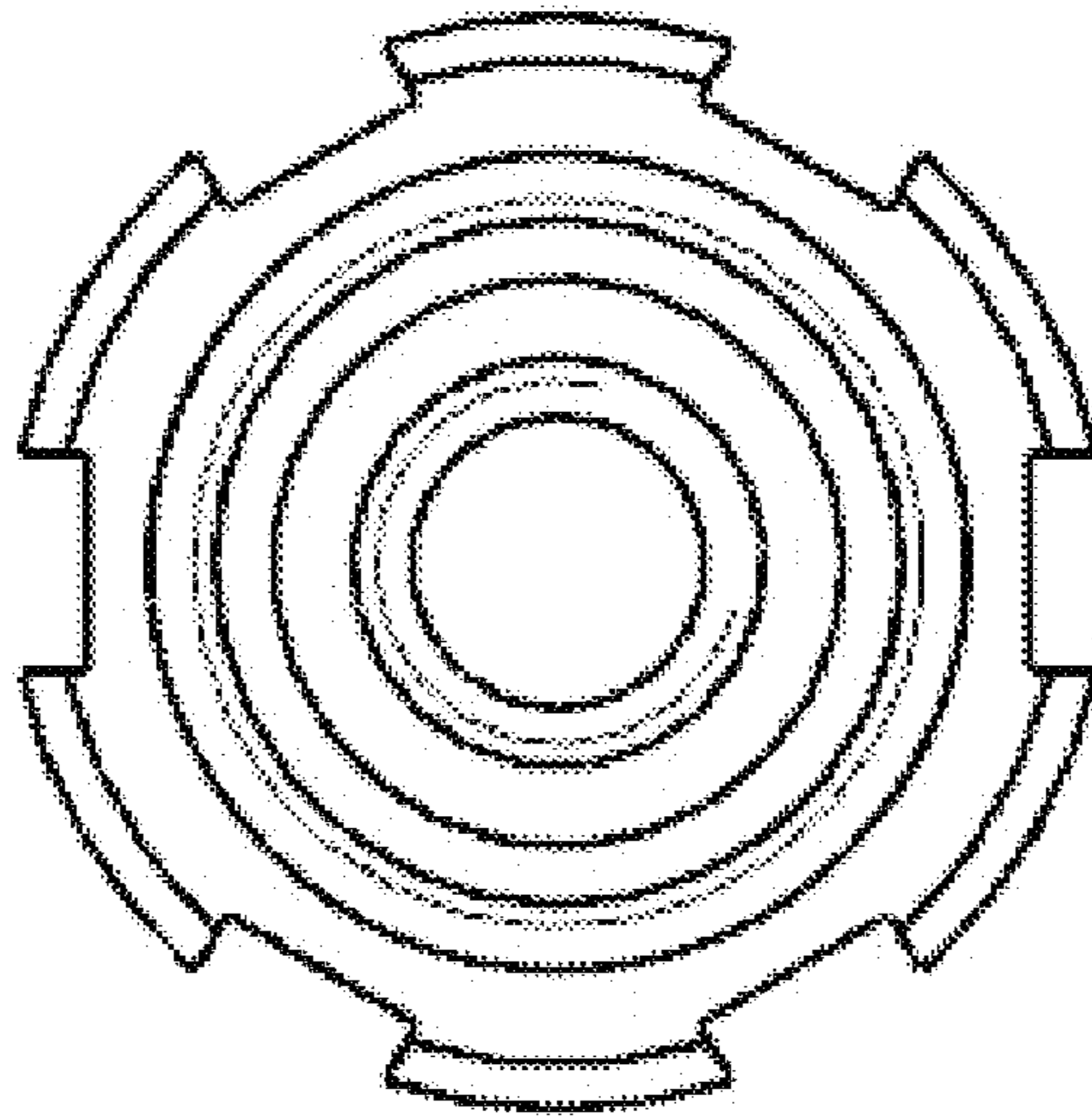
1 Claim, 7 Drawing Sheets



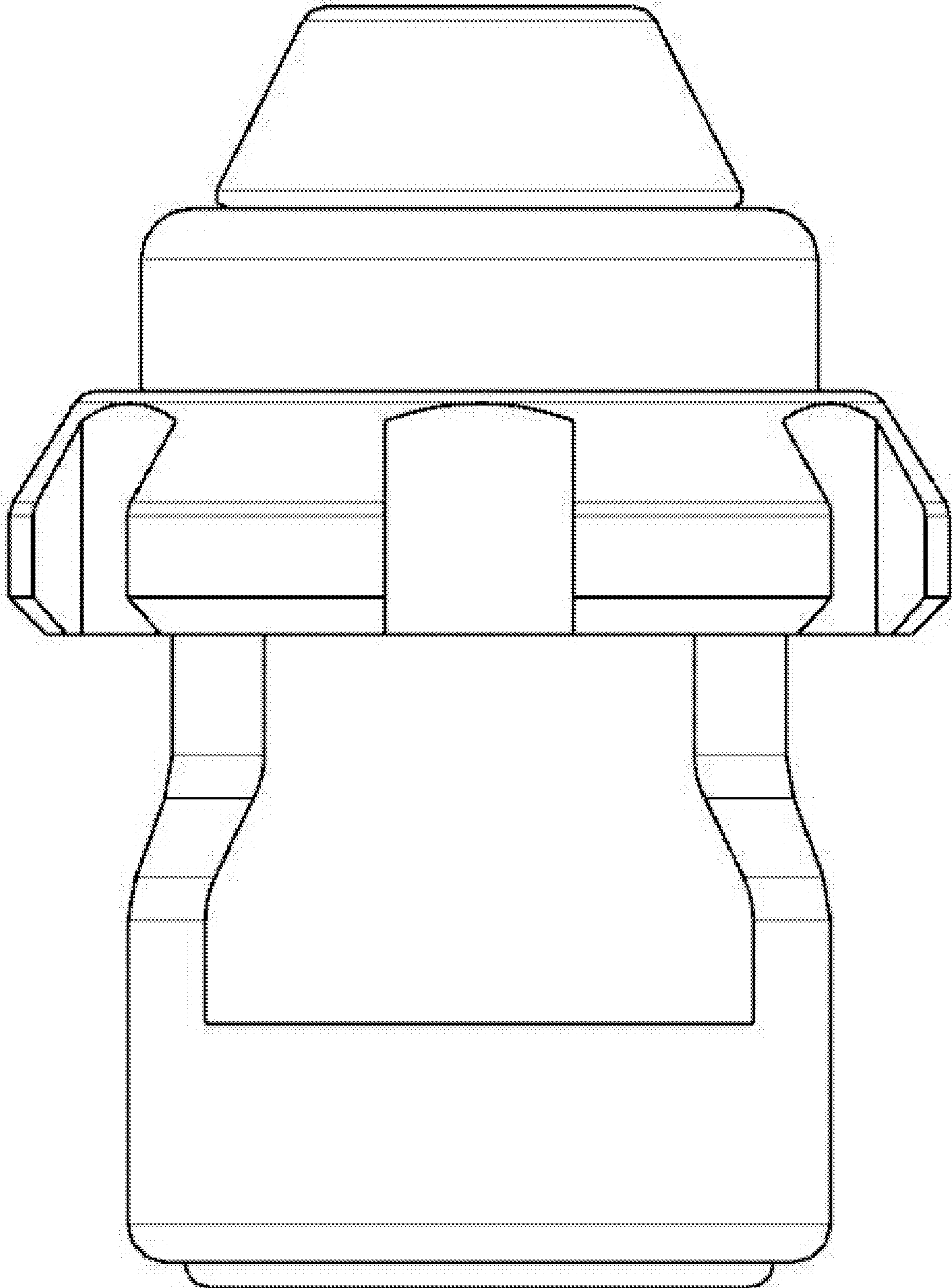
1.1



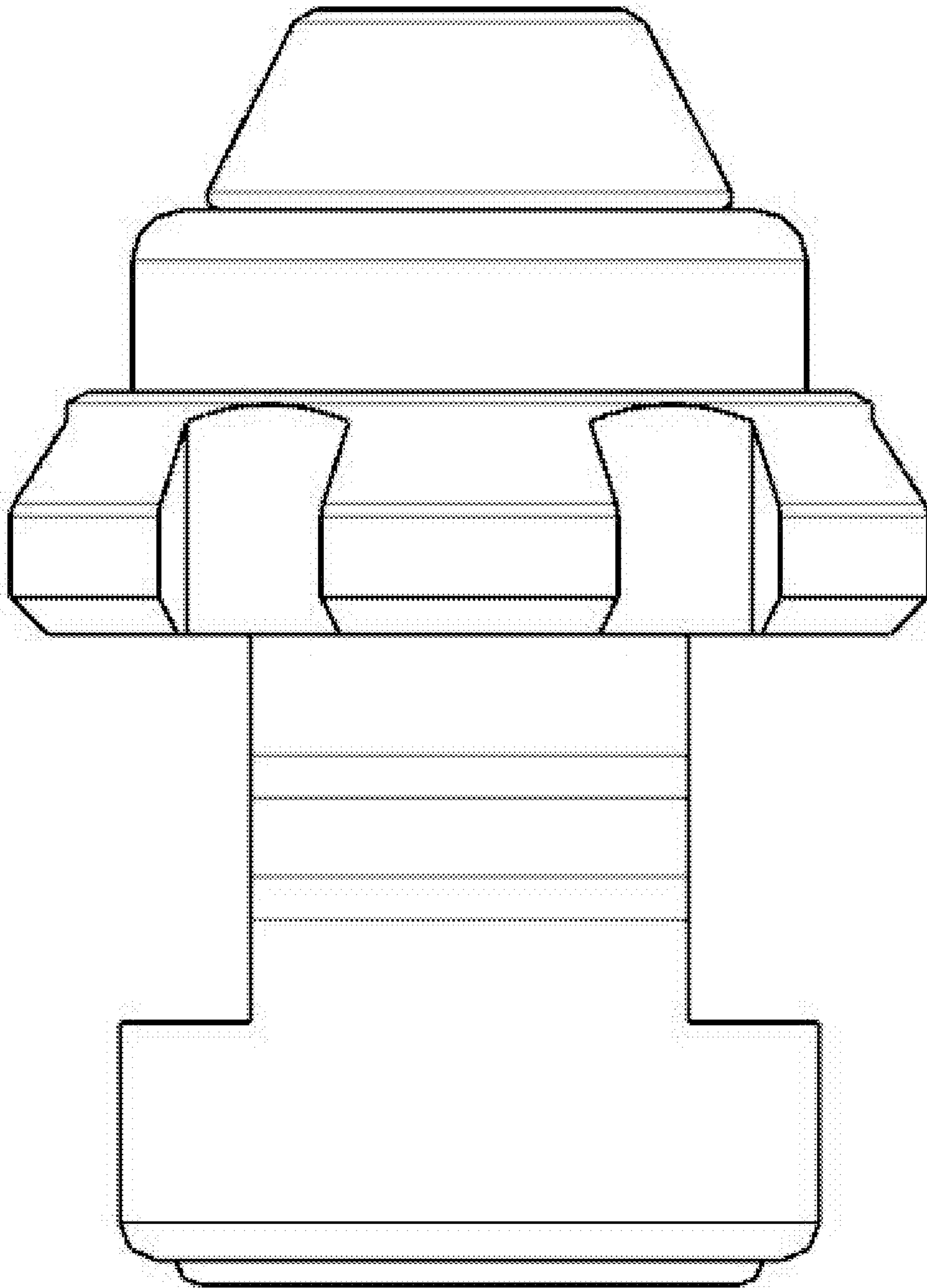
1.2



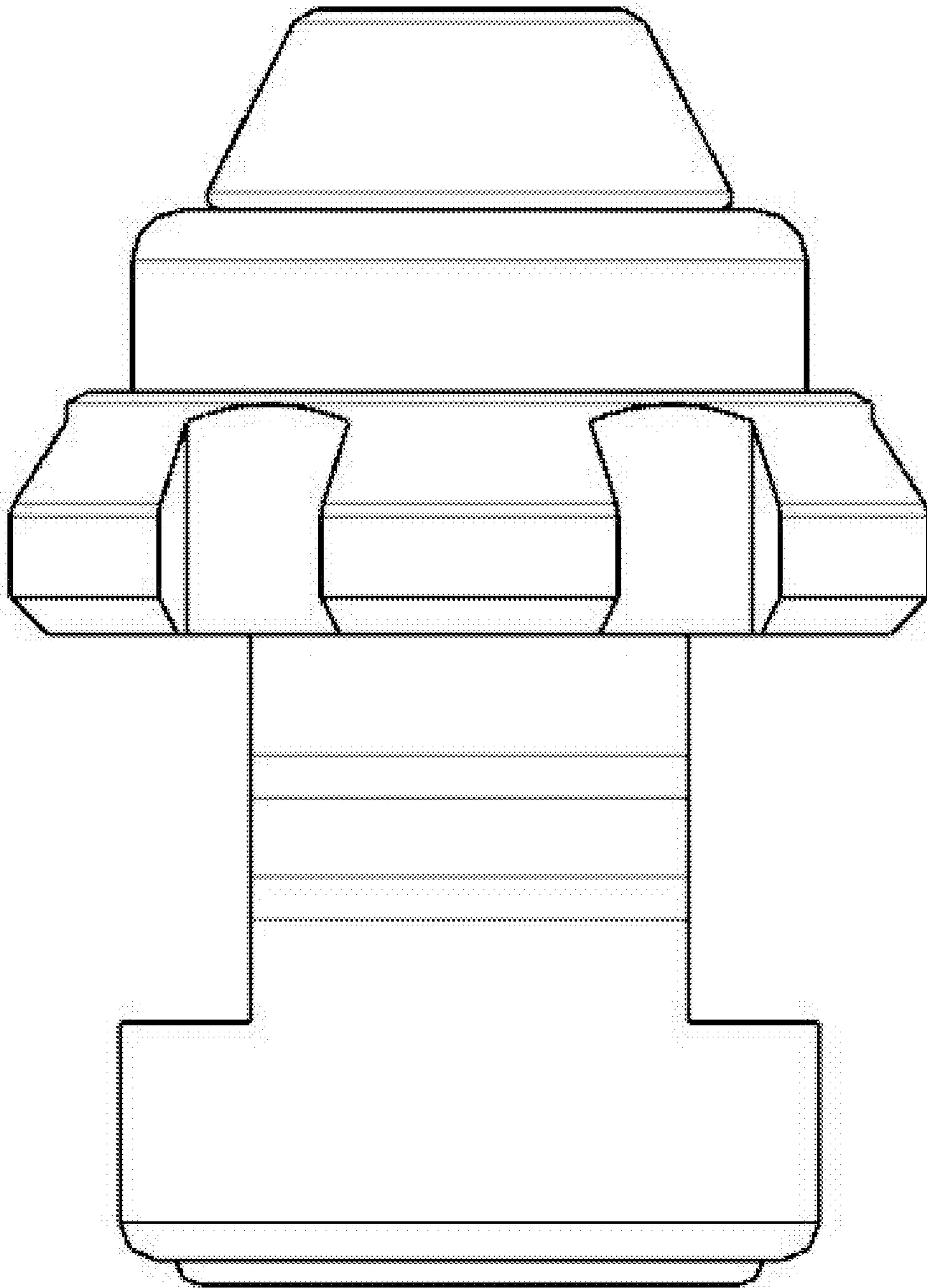
1.3



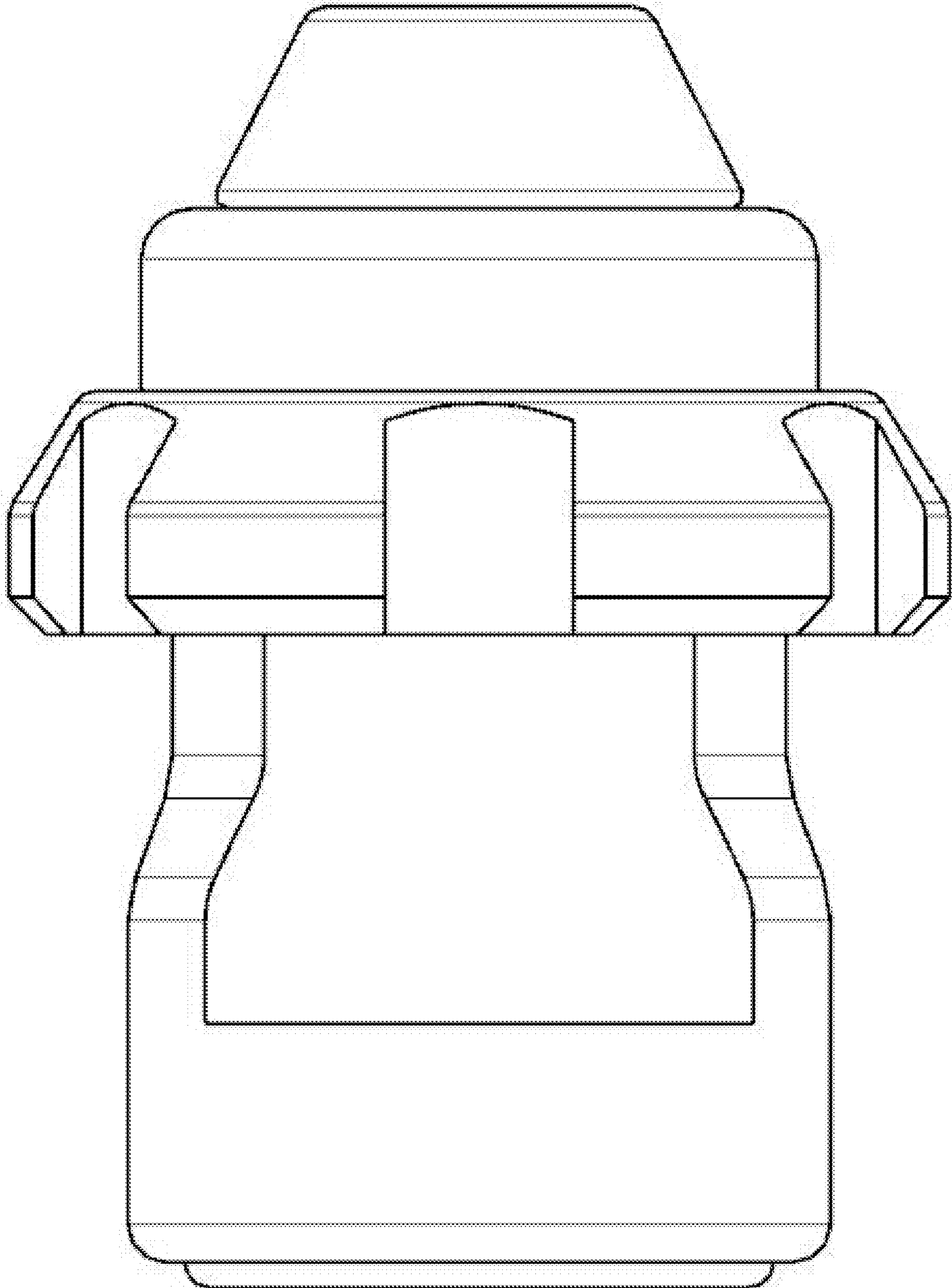
1.4



1.5



1.6



1.7

