



US00D904567S

(12) **United States Design Patent** (10) **Patent No.:** **US D904,567 S**
Bian (45) **Date of Patent:** **** Dec. 8, 2020**

(54) **SANITARY OUTLET VALVE**
(71) Applicant: **Neoperl GmbH**, Mullheim (DE)
(72) Inventor: **Yichao Bian**, Monheim am Rhein (DE)
(73) Assignee: **Neoperl GmbH**, Müllheim (DE)
(**) Term: **15 Years**
(21) Appl. No.: **29/657,256**
(22) Filed: **Jul. 20, 2018**

D599,434 S 9/2009 Stenberg
D602,564 S 10/2009 Nimberger
D606,167 S 12/2009 Nimberger
D647,596 S 10/2011 Bonnell
D692,534 S 10/2013 Fangmeier
D694,370 S * 11/2013 Wilcox D23/245
D707,795 S 6/2014 Huang
D721,789 S 1/2015 Lu
D725,747 S 3/2015 Alexander et al.
D728,072 S 4/2015 Alexander et al.
D739,919 S 9/2015 Alexander et al.
9,353,742 B2 5/2016 Herman et al.
D758,544 S * 6/2016 Greenwood D23/235
D762,819 S * 8/2016 Shishido D23/235
D779,046 S * 2/2017 Tansey, Jr. D23/262
9,611,980 B2 4/2017 Herman et al.
D820,956 S * 6/2018 Ito D23/235
D826,381 S * 8/2018 Bian D23/233
D849,890 S * 5/2019 Tempel D23/233
D883,445 S * 5/2020 Comstock D23/249

Related U.S. Application Data

(63) Continuation-in-part of application No. 35/501,892, filed on Oct. 31, 2016 (U.S. filing date under 35 U.S.C. 384), and having an international filing date of Oct. 31, 2016, now Pat. No. Des. 826,381.

(51) **LOC (12) Cl.** **23-01**
(52) **U.S. Cl.**

USPC **D23/233**
CPC **F16K 1/00** (2013.01)

(58) **Field of Classification Search**

USPC D23/233–269; D15/5, 7;
137/15.04–15.08, 7, 515, 843, 859, 332,
137/529
CPC . F16K 1/00; F16K 15/00; F16K 15/18; F16K
15/026; F16K 15/044

See application file for complete search history.

(56) **References Cited**

U.S. PATENT DOCUMENTS

D234,359 S * 2/1975 Holben et al. D23/235
D262,969 S * 2/1982 Howes 239/533.12
D295,674 S * 5/1988 Ogasawara D23/365
D309,653 S * 7/1990 Kendrick D23/213
D370,963 S 6/1996 Daansen
D442,267 S * 5/2001 Kouda D23/233
D576,704 S * 9/2008 Gilcher D23/233
D594,530 S 6/2009 Bonnell

(Continued)

Primary Examiner — Richard E Chilcot

(74) *Attorney, Agent, or Firm* — Volpe Koenig

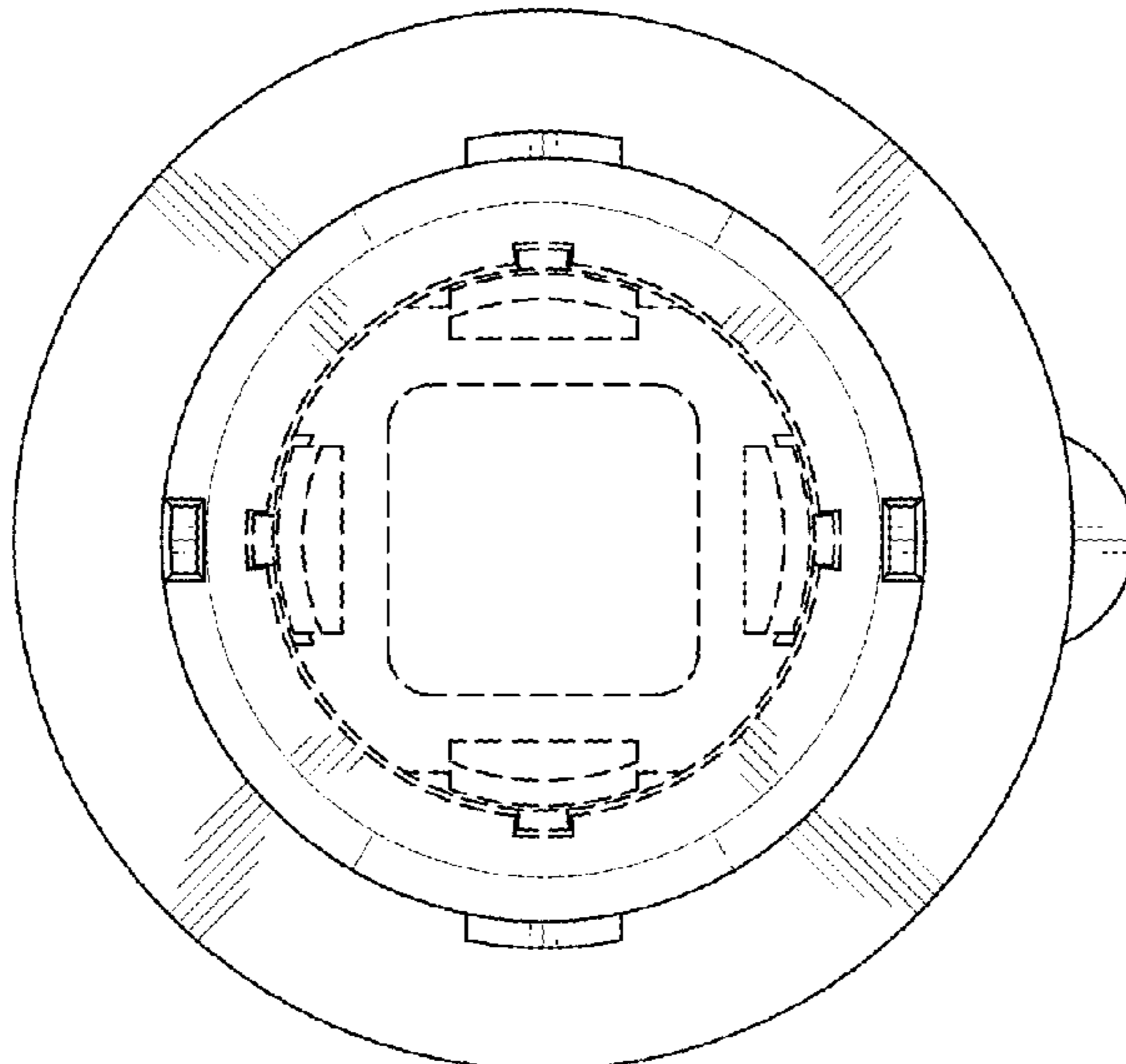
(57) **CLAIM**

The ornamental design for a sanitary outlet valve, as shown and described.

DESCRIPTION

FIG. 1 is a top plan view of a sanitary outlet valve in accordance with my design;
FIG. 2 is a top, front, left perspective view thereof;
FIG. 3 is a bottom plan view thereof;
FIG. 4 is a bottom, front, left perspective view thereof;
FIG. 5 is a front elevational view thereof;
FIG. 6 is a right side elevational view thereof;
FIG. 7 is a rear elevational view thereof; and,
FIG. 8 is a left side elevational view thereof.
The broken lines shown in the figures represent portions of the sanitary outlet valve that form no part of the claimed design.

1 Claim, 8 Drawing Sheets



(56)

References Cited

U.S. PATENT DOCUMENTS

D883,446 S * 5/2020 Comstock D23/249
D884,843 S * 5/2020 Wildfang D23/266
D886,943 S * 6/2020 Slamans D23/213

* cited by examiner

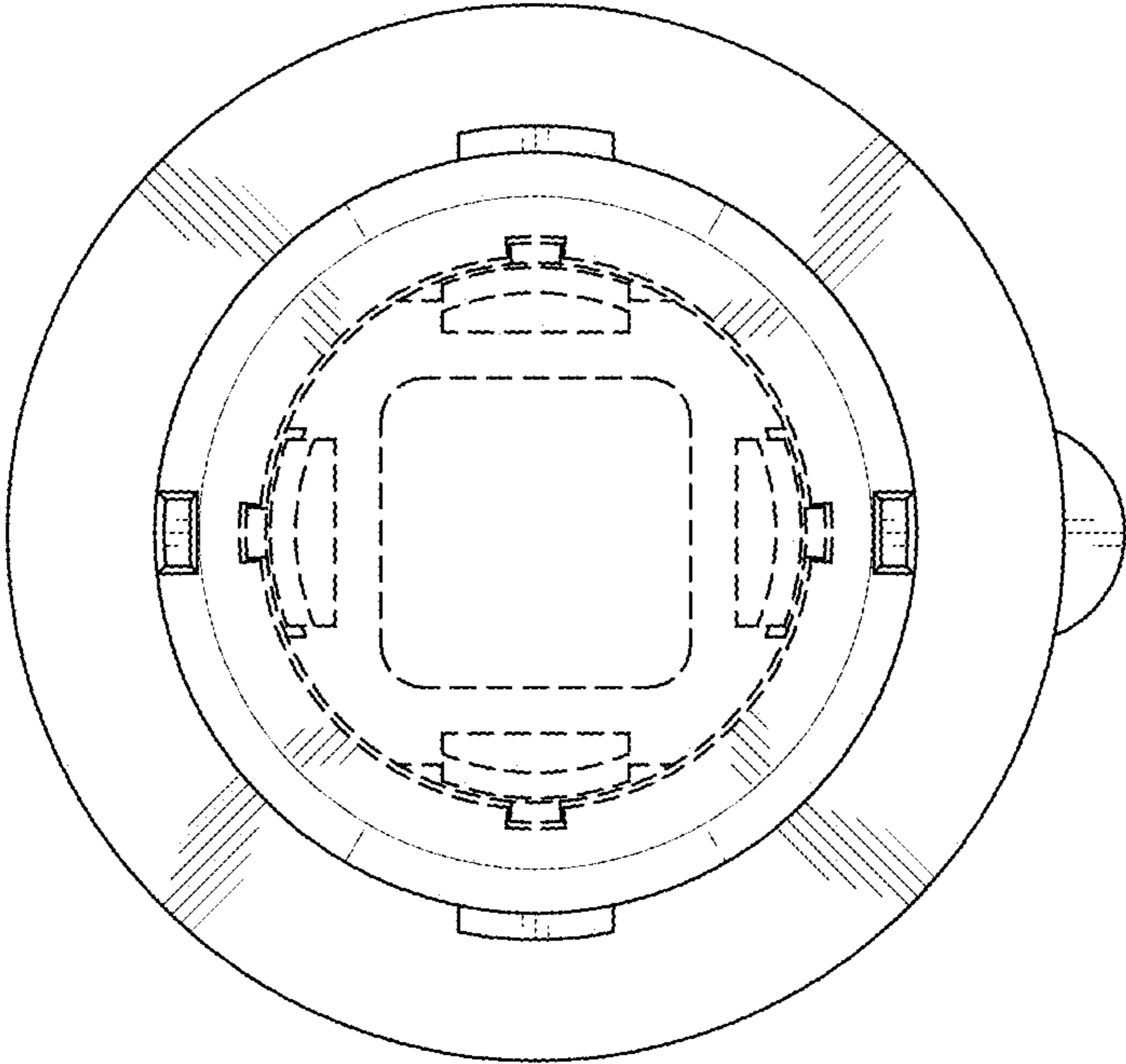


Fig. 1

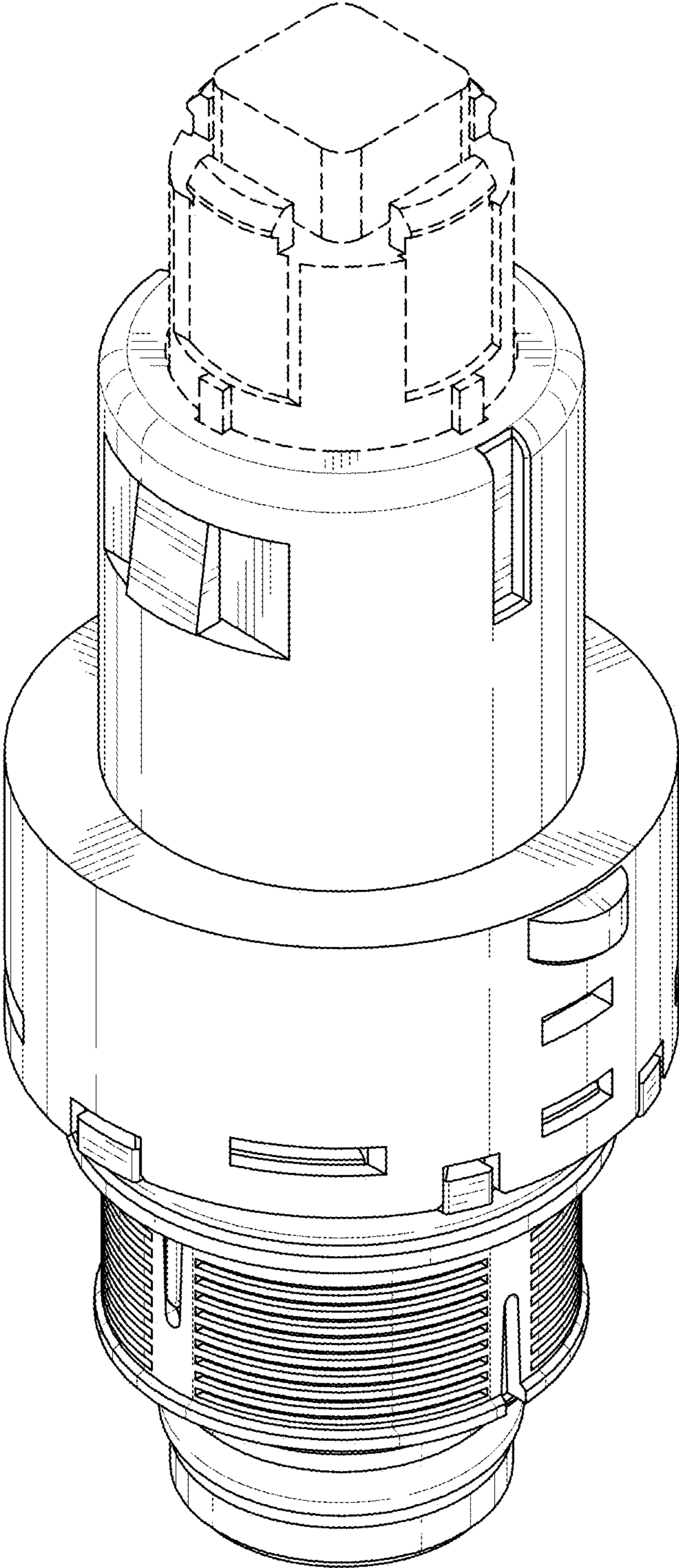


Fig. 2

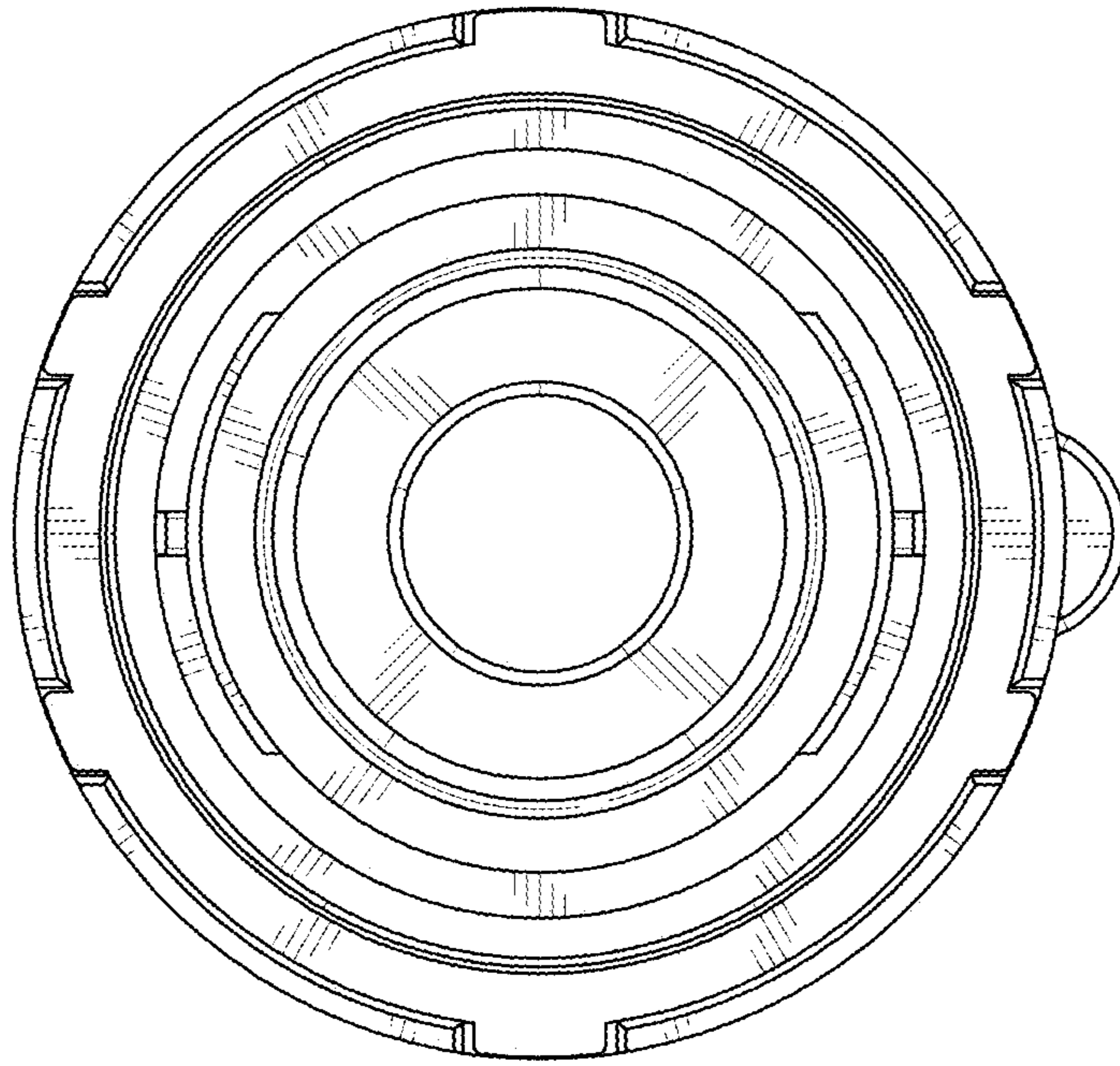


Fig. 3

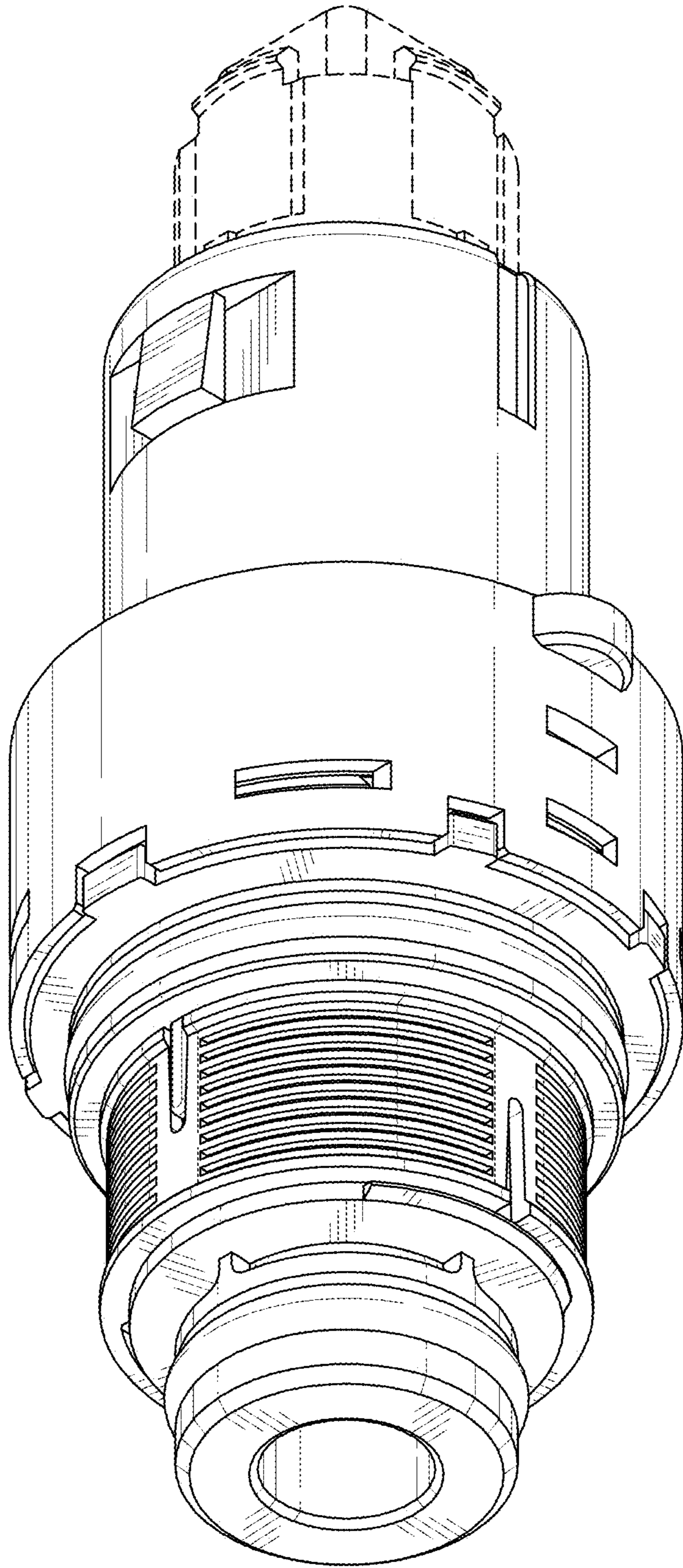


Fig. 4

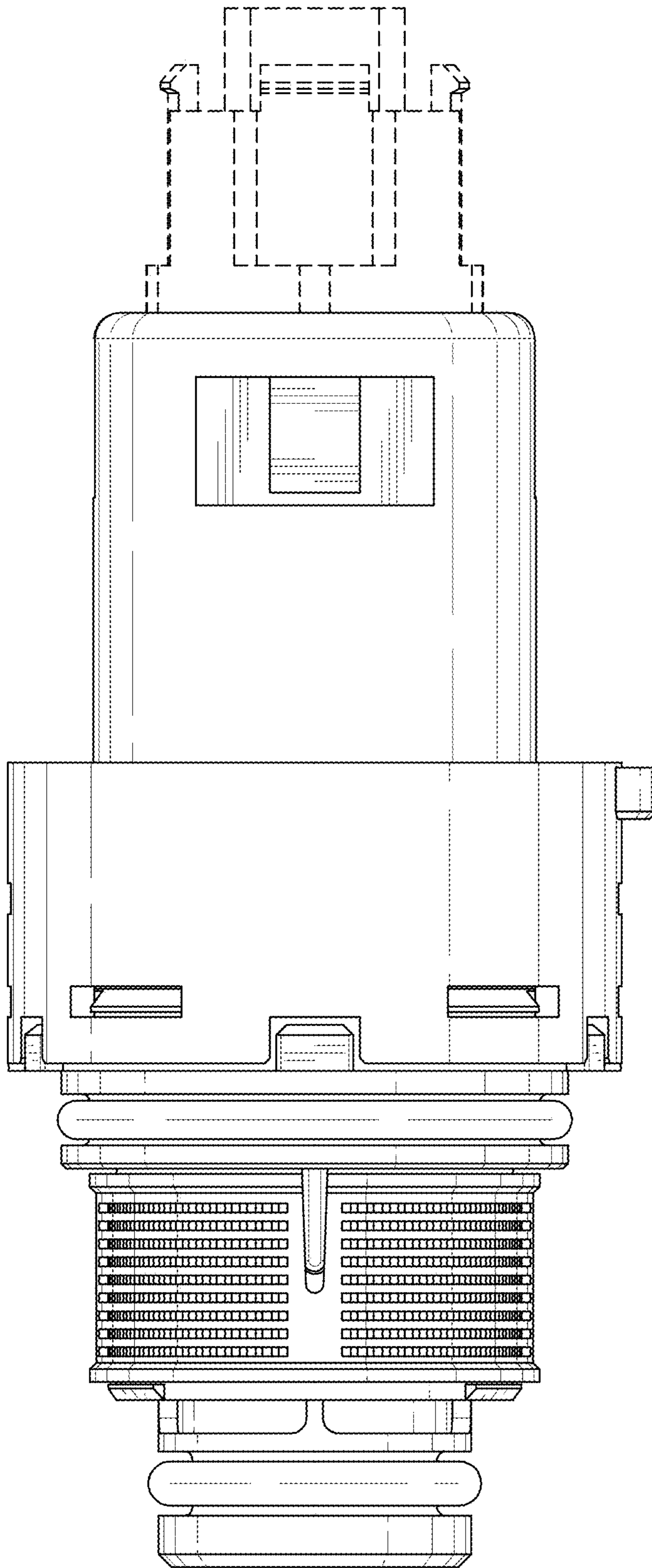


Fig. 5

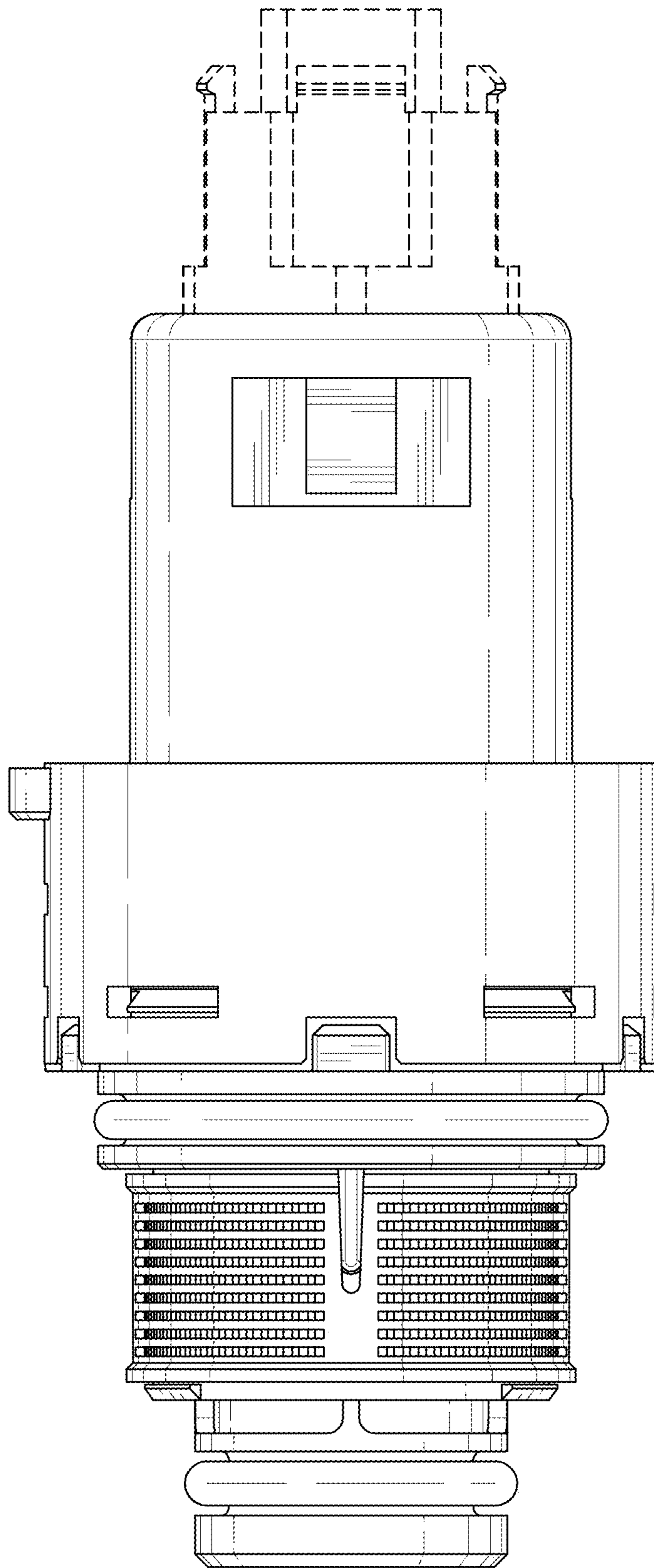


Fig. 6

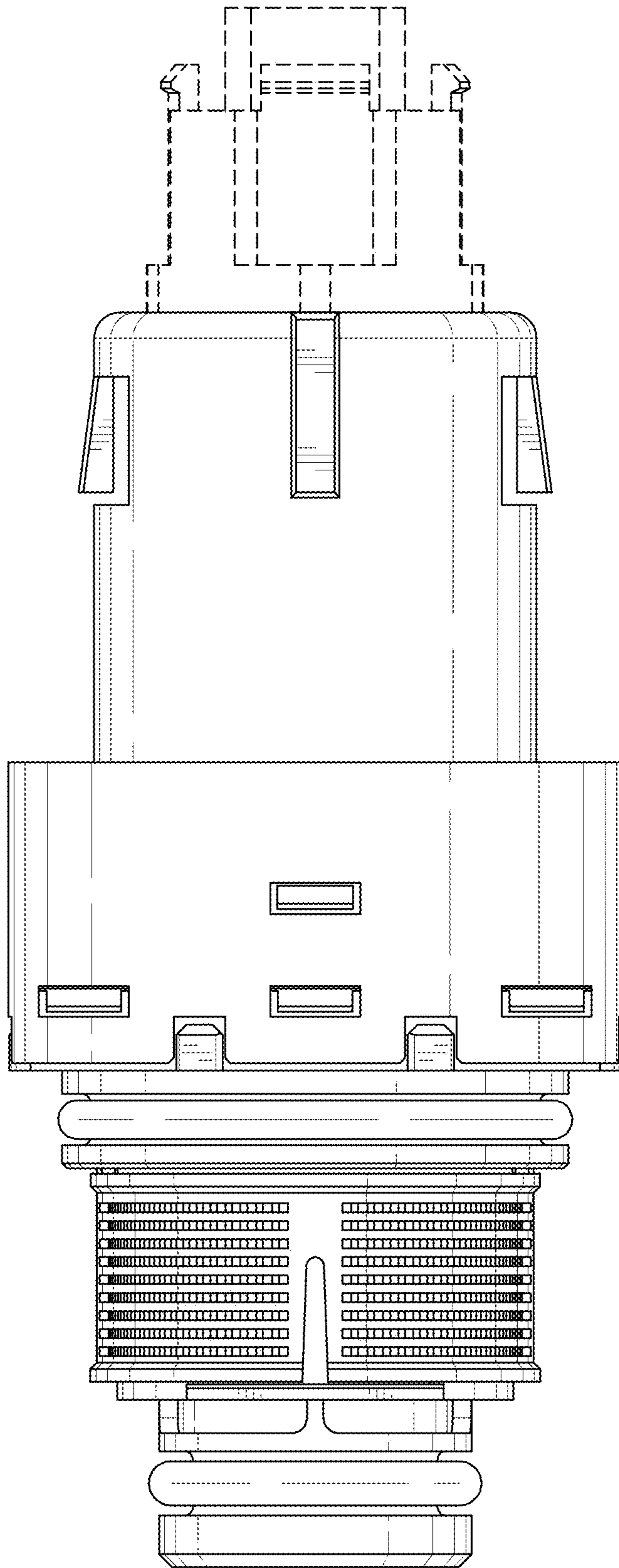


Fig. 7

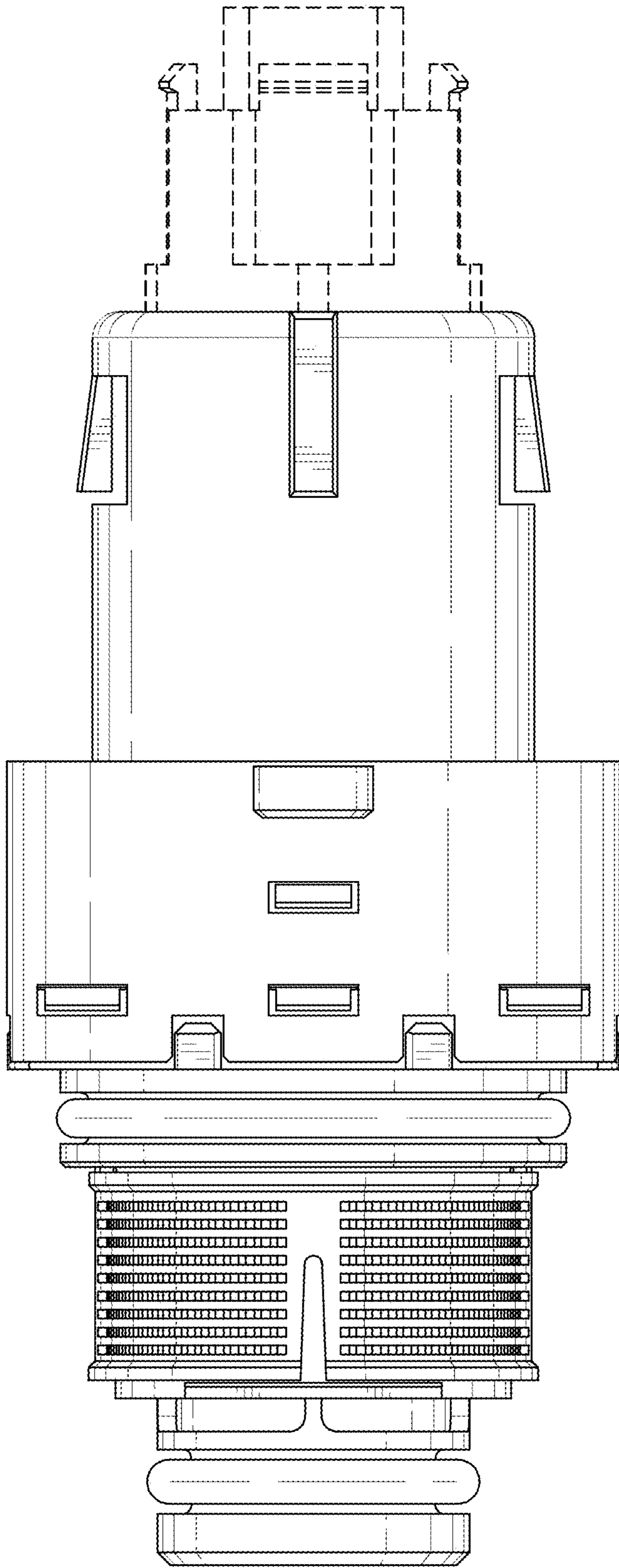


Fig. 8