



US00D904566S

(12) **United States Design Patent** (10) **Patent No.:** **US D904,566 S**
Larsen et al. (45) **Date of Patent:** **** Dec. 8, 2020**

(54) **HOPPER**

(71) Applicant: **Graco Minnesota Inc.**, Minneapolis, MN (US)

(72) Inventors: **David M. Larsen**, Albertville, MN (US); **Max Carideo**, Plymouth, MN (US)

(73) Assignee: **Graco Minnesota Inc.**, Minneapolis, MN (US)

(**) Term: **15 Years**

(21) Appl. No.: **29/682,872**

(22) Filed: **Mar. 8, 2019**

(51) **LOC (12) Cl.** **23-01**

(52) **U.S. Cl.**
 USPC **D23/225**

(58) **Field of Classification Search**
 USPC D15/17, 13; D23/225
 CPC B05B 7/24; B05B 7/1413; B05B 7/2408;
 B05B 7/241; B05B 9/08; B05B 9/0883;
 B05B 17/00; A01M 7/0046; A01M
 7/0035; A01C 15/02
 See application file for complete search history.

6,752,067 B1 * 6/2004 Davidson F04B 9/045
 417/415

D570,069 S * 5/2008 Leonard D34/24

D572,795 S * 7/2008 Kieffer D23/225

D576,703 S * 9/2008 Nathan D23/225

D580,516 S * 11/2008 Mattson D23/225

D580,517 S * 11/2008 Mattson D23/225

D580,518 S * 11/2008 Johnson D23/225

D608,414 S * 1/2010 Legatt D23/225

D616,064 S * 5/2010 Mattson D23/225

D616,065 S * 5/2010 Gundersen D23/225

8,651,397 B2 * 2/2014 Gaddis B05B 9/0403
 239/154

D769,414 S * 10/2016 Roden D23/225

D794,162 S * 8/2017 Johnston D23/225

D794,754 S * 8/2017 Johnston D23/225

D849,190 S * 5/2019 Boucher D23/213

D850,581 S * 6/2019 Mazur D23/225

D851,211 S * 6/2019 Pellin D23/225

10,634,132 B2 * 4/2020 Carideo B05B 9/007

* cited by examiner

Primary Examiner — Mark A Goodwin

(74) Attorney, Agent, or Firm — Kinney & Lange, P. A.

(57) **CLAIM**

The ornamental design for a hopper, as shown and described.

DESCRIPTION

FIG. 1 is a perspective view of a hopper;
 FIG. 2 is a left side view of a hopper;
 FIG. 3 is a right side view of a hopper;
 FIG. 4 is a top plan view of the hopper;
 FIG. 5 is a rear elevational view of the hopper; and,
 FIG. 6 is a front elevational view of the hopper.
 The broken lines in the Figures are for environmental purposes only and form no part of the claimed design.

1 Claim, 6 Drawing Sheets

(56) **References Cited**

U.S. PATENT DOCUMENTS

D284,210 S * 6/1986 Rattray D23/225

5,213,480 A * 5/1993 Yedinak E01C 23/20
 417/234

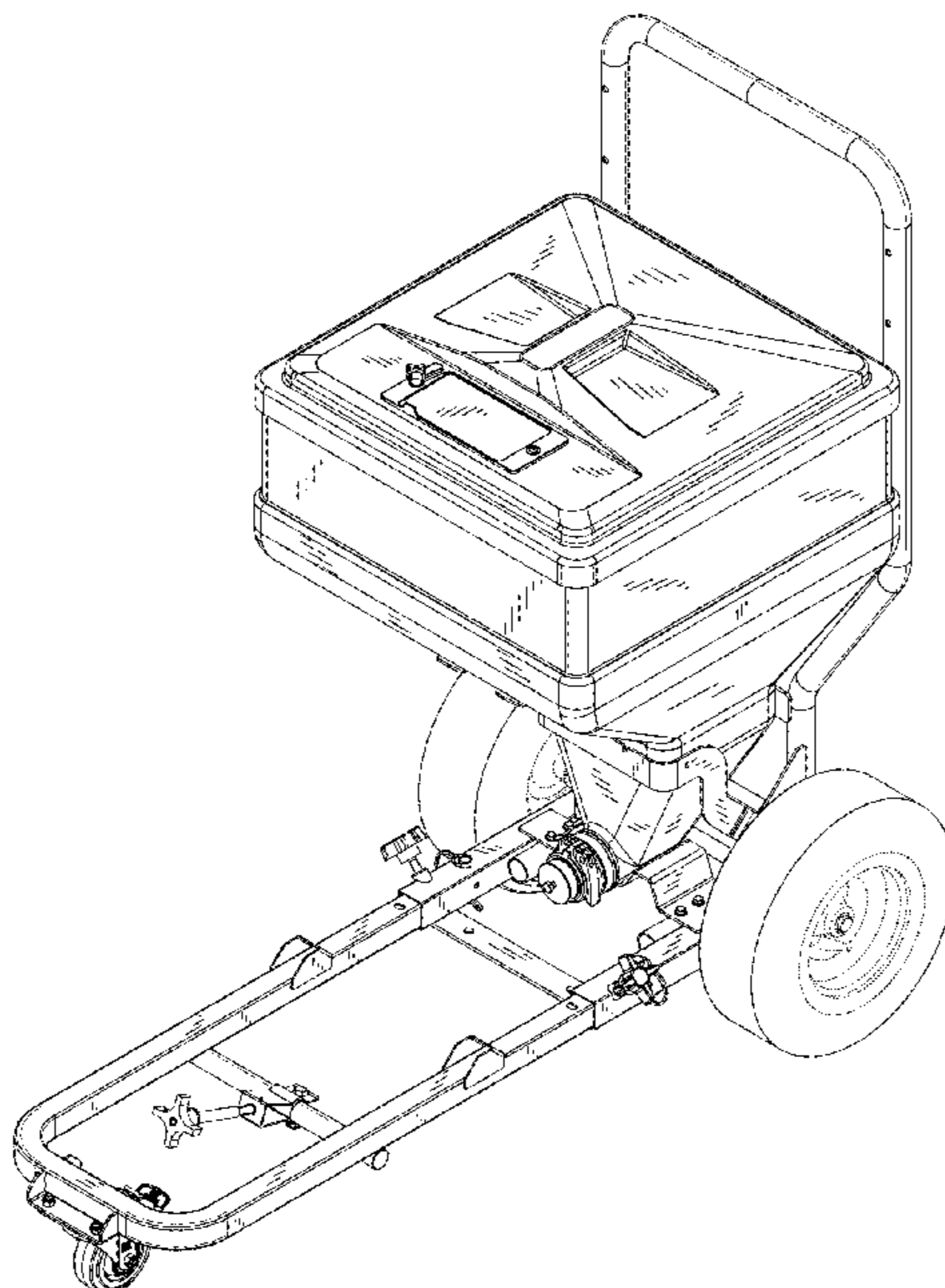
5,217,238 A * 6/1993 Cyphers B05B 9/0403
 280/47.18

D344,832 S * 3/1994 Cyphers D34/24

D420,473 S * 2/2000 Shero D32/16

D427,283 S * 6/2000 Bower D23/225

D429,314 S * 8/2000 Bower D23/225



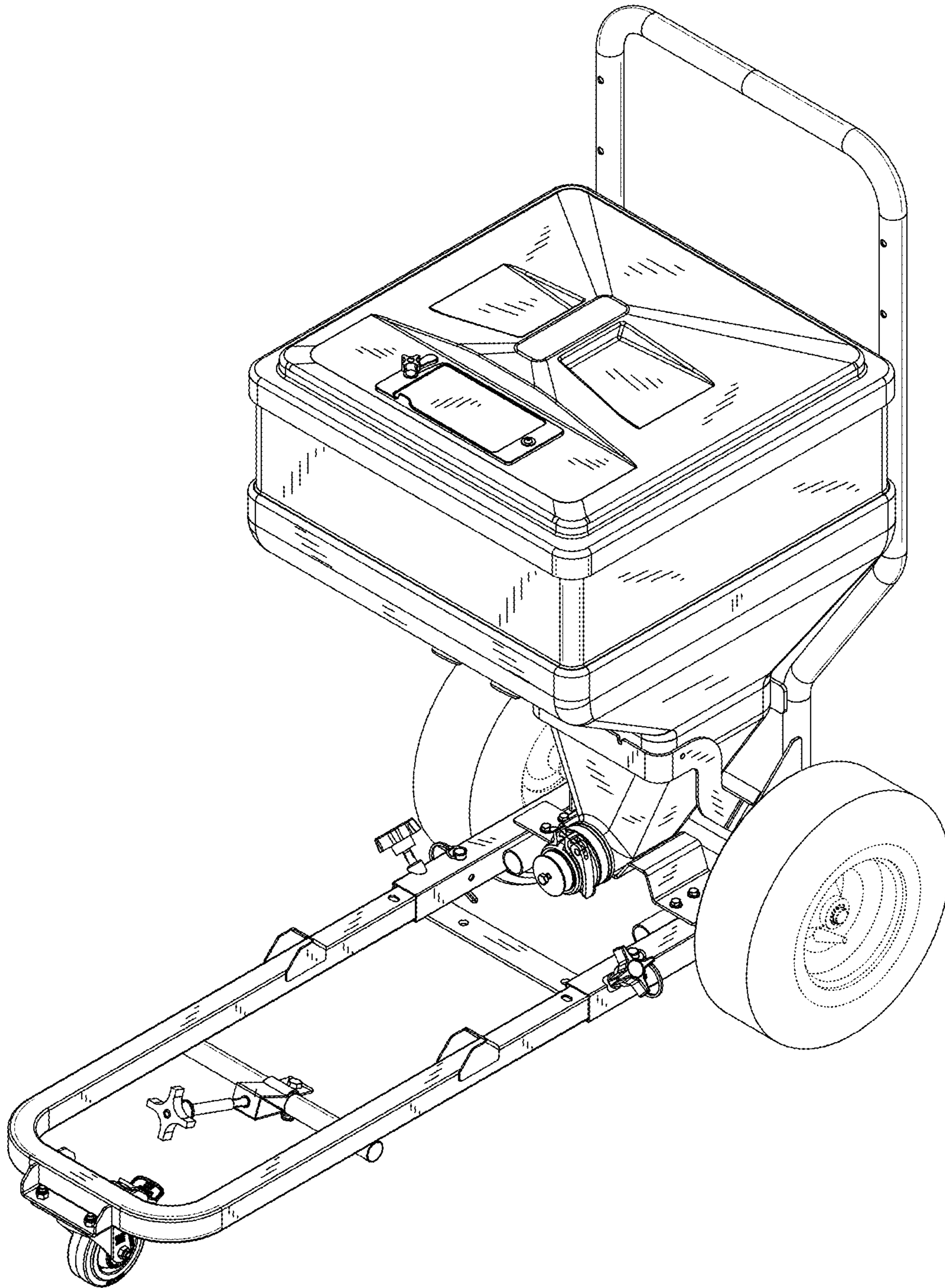


Fig. 1

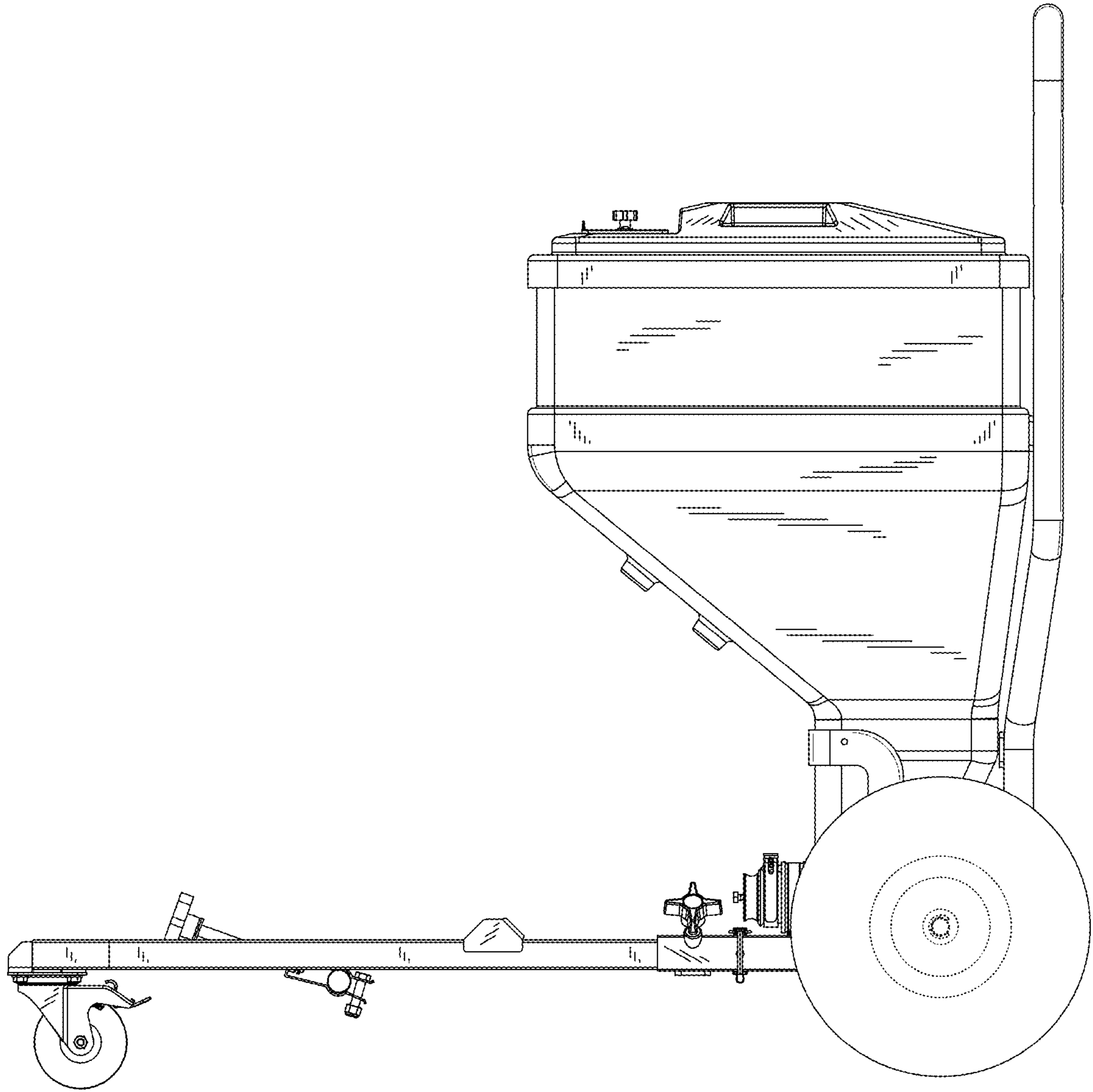


Fig. 2

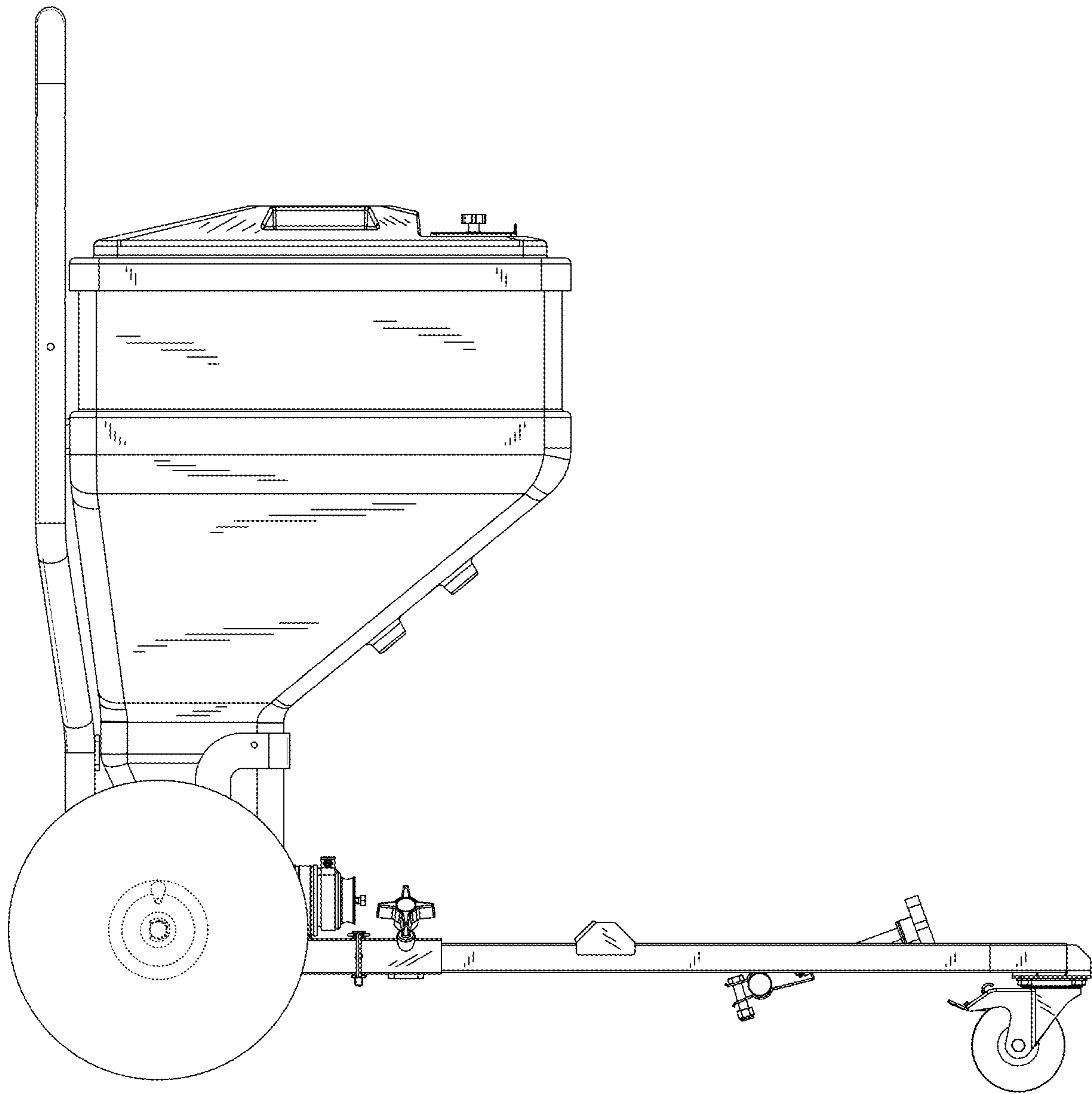


Fig. 3

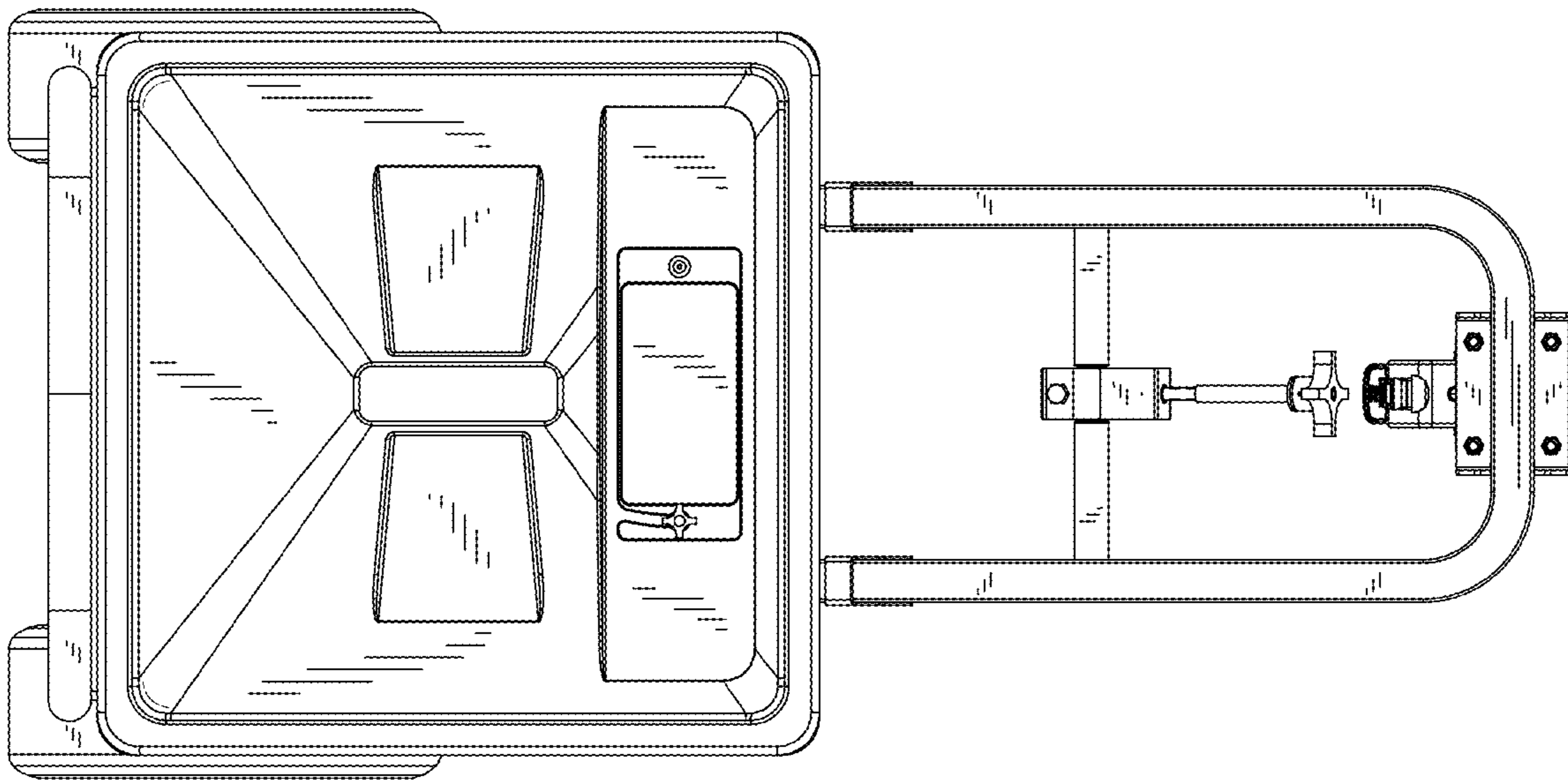


Fig. 4

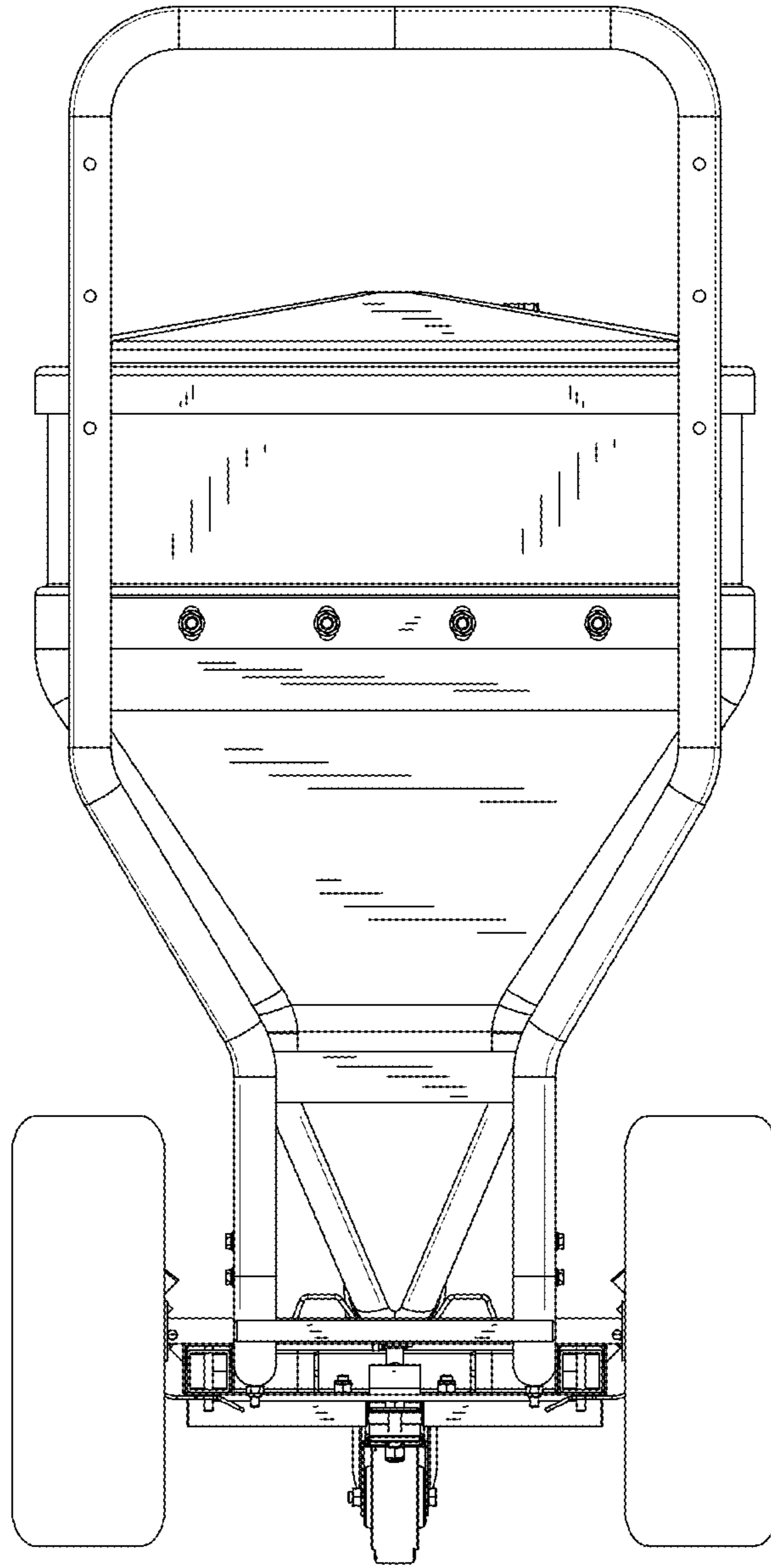


Fig. 5

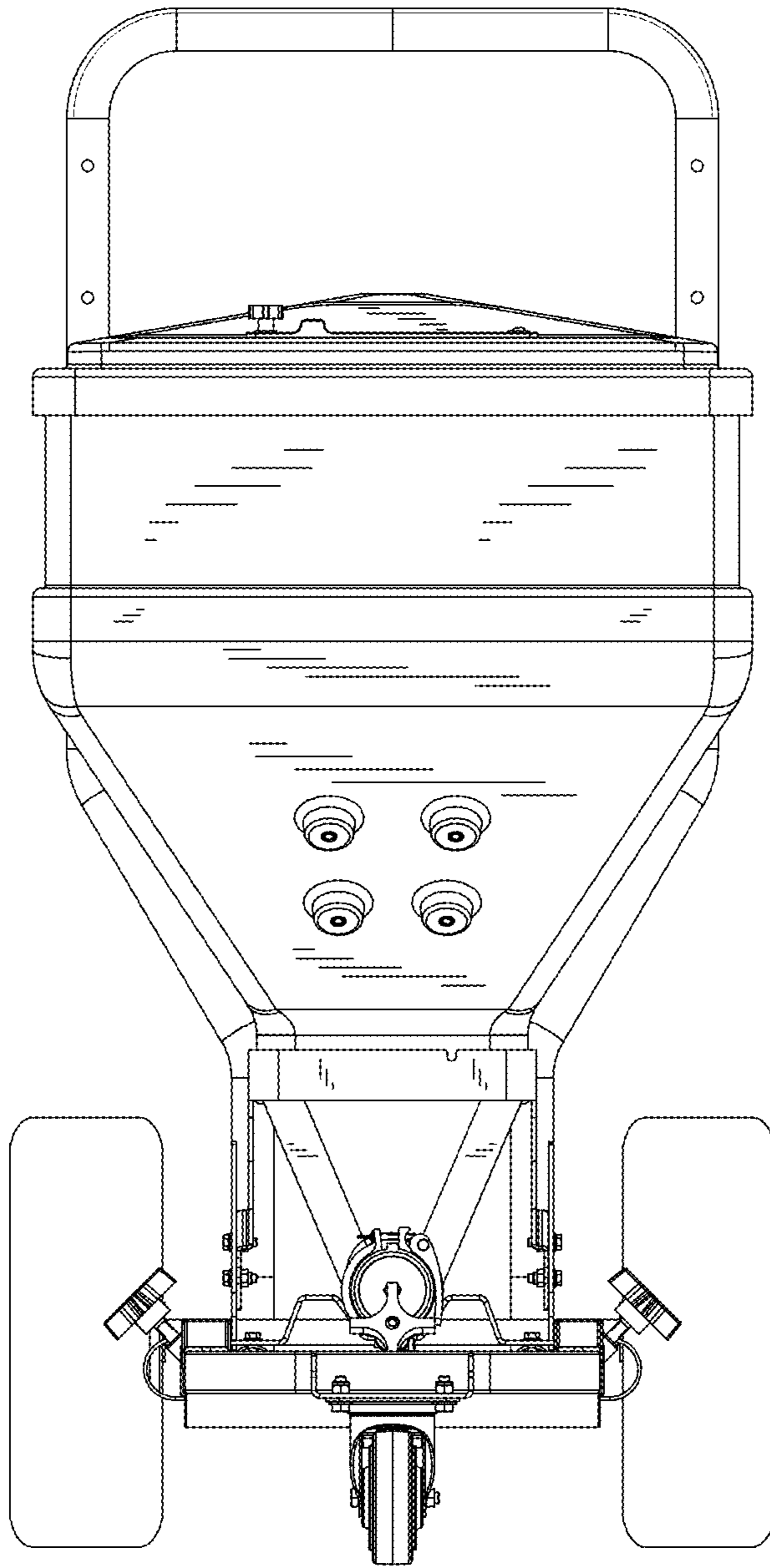


Fig. 6