



US00D904564S

(12) **United States Design Patent** (10) **Patent No.:** **US D904,564 S**
Villeneuve et al. (45) **Date of Patent:** **** Dec. 8, 2020**

(54) **CURVED SPRAY CONE** D716,419 S * 10/2014 Hernandez D23/259
D725,749 S * 3/2015 Mezzalira D23/259
(71) Applicant: **ENTREPRISE DRAGO-I.S.I. INC.,** D867,529 S * 11/2019 Yang D23/213
Repentigny (CA) D887,269 S * 6/2020 Marik D9/453
2014/0239095 A1 * 8/2014 Short B05B 1/14
239/404

(72) Inventors: **Simon Villeneuve**, Blainville (CA);
Eric Bedard, Sainte-Therese (CA)

(**) Term: **15 Years**

(21) Appl. No.: **29/701,461**

(22) Filed: **Aug. 12, 2019**

(51) **LOC (12) Cl.** **23-01**

(52) **U.S. Cl.**
USPC **D23/213**

(58) **Field of Classification Search**
USPC D23/207, 213, 214, 215, 223, 224, 226,
D23/229, 230
CPC A61H 9/0021; A61H 33/00; B05B 1/00;
B05B 1/14; B05B 1/185; B05B 1/08;
B05B 1/02; B05B 1/26; B05B 12/002;
B05B 1/18; B05B 9/01

See application file for complete search history.

(56) **References Cited**

U.S. PATENT DOCUMENTS

D256,052 S * 7/1980 De Vaughn D24/112
4,326,516 A * 4/1982 Schultz A61M 39/1011
604/165.01
D393,048 S * 3/1998 Hearvey D23/213
6,202,342 B1 * 3/2001 Edwards A01M 1/026
43/132.1
D443,021 S * 5/2001 Maddox D23/213
D445,895 S * 7/2001 Svendsen D24/112
6,390,391 B1 * 5/2002 Ulin B05B 1/18
239/548
D458,343 S * 6/2002 Chen D23/213
6,716,421 B2 * 4/2004 Brode, III A01M 1/026
424/646
D535,721 S * 1/2007 Ford D23/213

OTHER PUBLICATIONS

https://www.amazon.com/DENPETEC-Automatic-Irrigation-Sprinkler-Random4pcs/dp/B08DD9RTRM/ref=sr_1_88?dchild=1&keywords=cone+shaped+sprinkler&qid=1596084975&sr=8-88 (Year: 2020).*

* cited by examiner

Primary Examiner — Manpreet S Matharu
Assistant Examiner — Keith J Wilson

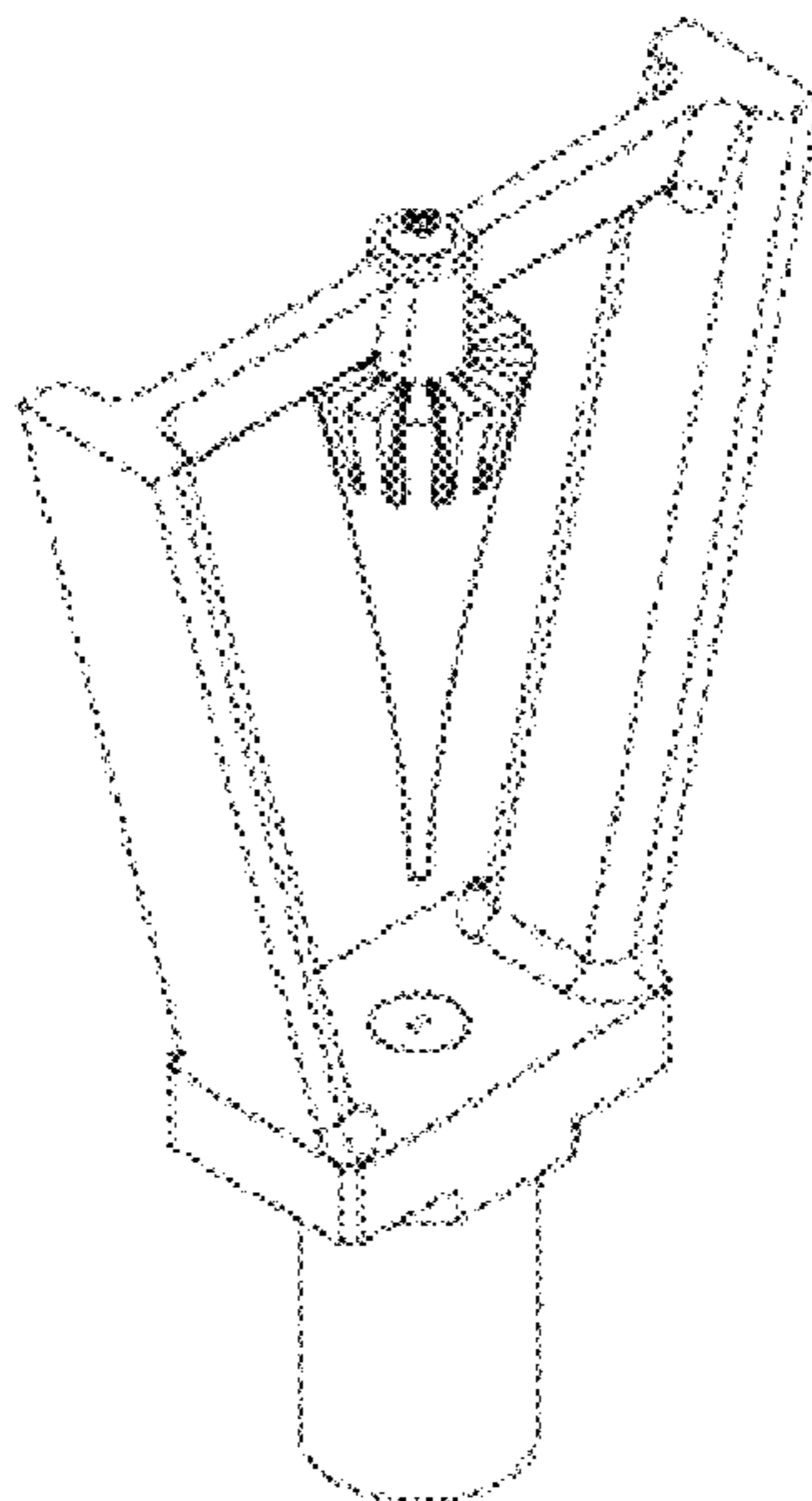
(57) **CLAIM**

We claim the ornamental design for a curved spray cone, as shown and described.

DESCRIPTION

FIG. 1 is a perspective view from the top of a curved spray cone, showing our new design, within its environment; FIG. 2 is a perspective view thereof; FIG. 3 is a top plan view thereof; FIG. 4 is a bottom plan view thereof; FIG. 5 is a side elevation thereof; and, FIG. 6 is another side elevation view being a mirror image of FIG. 5, the front elevation view and the rear elevation view being a mirror image thereof. The broken lines shown in the figures are included for the purpose of illustrating environment and form no part of the claimed design.

1 Claim, 6 Drawing Sheets



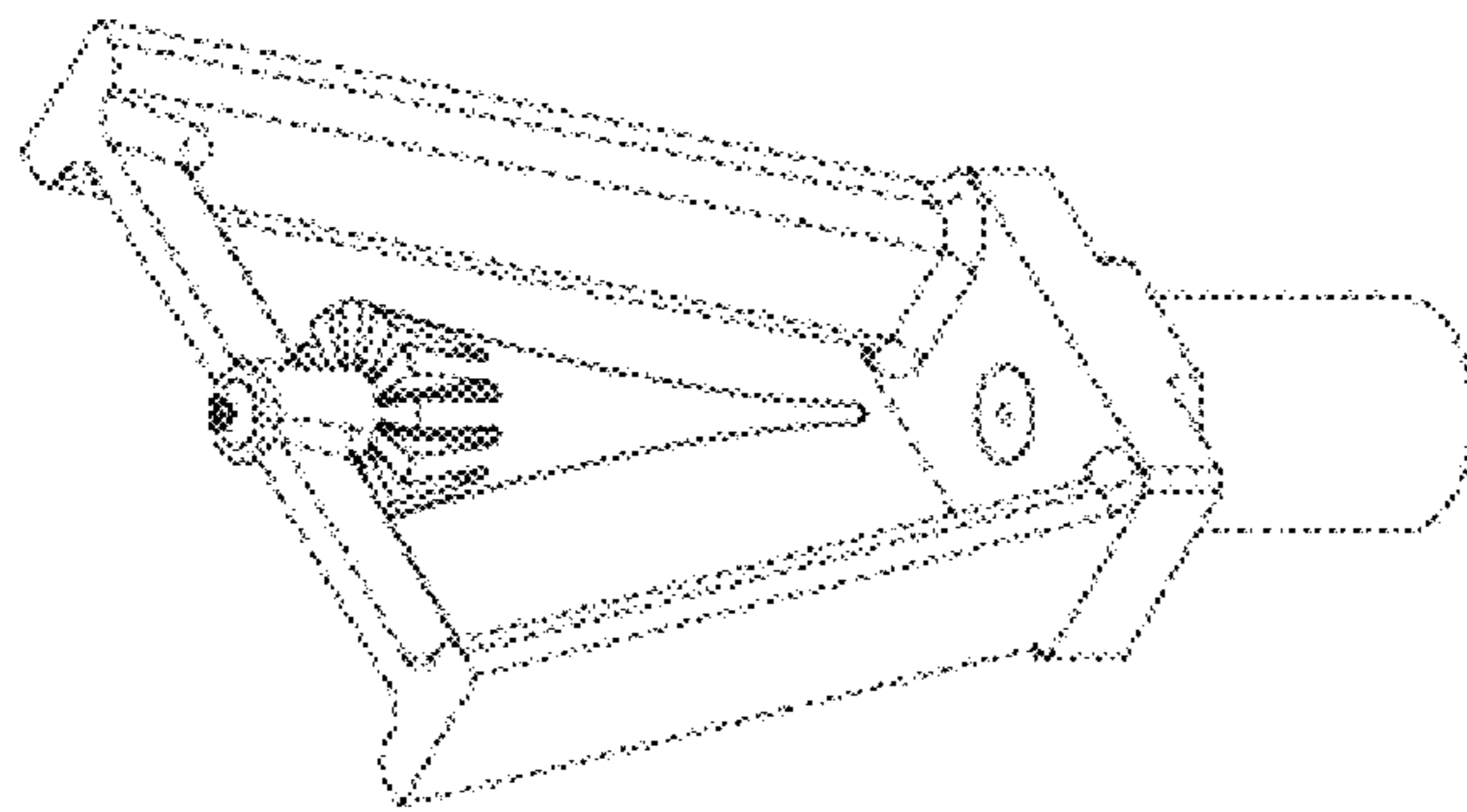


FIG. 1

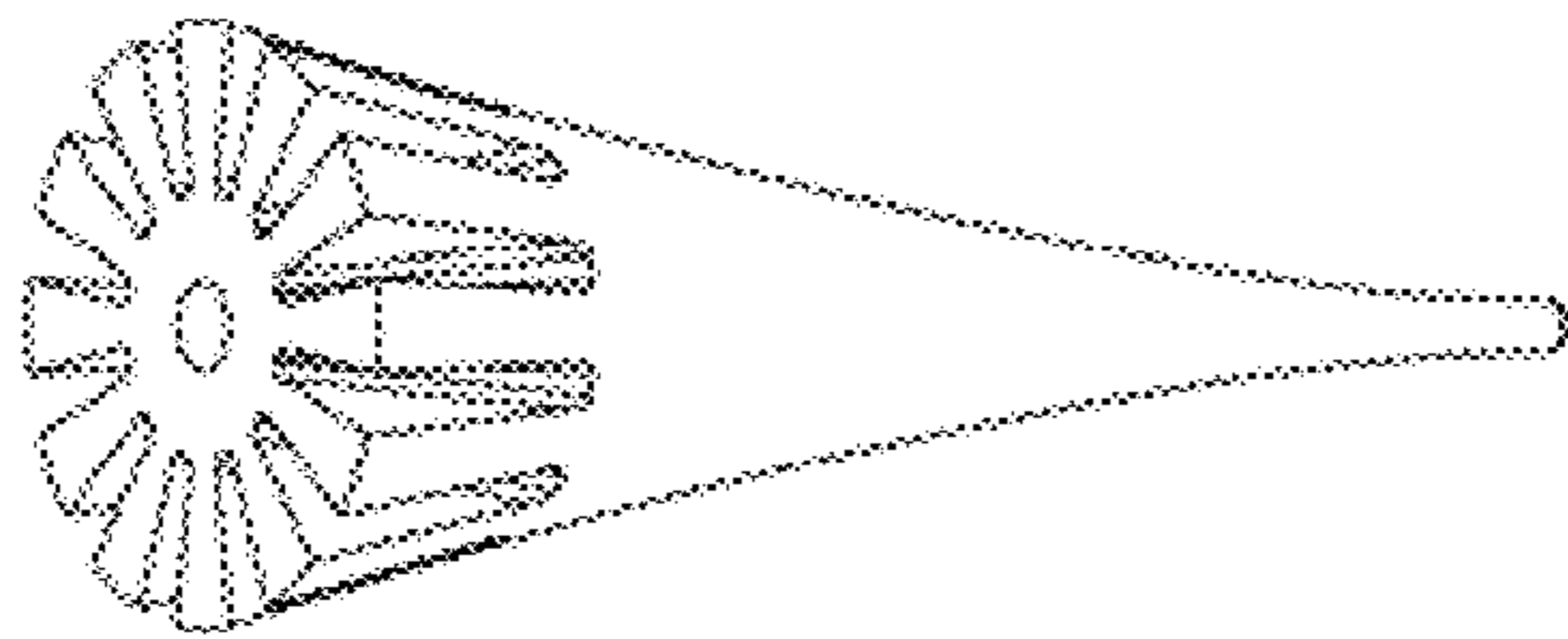


FIG. 2

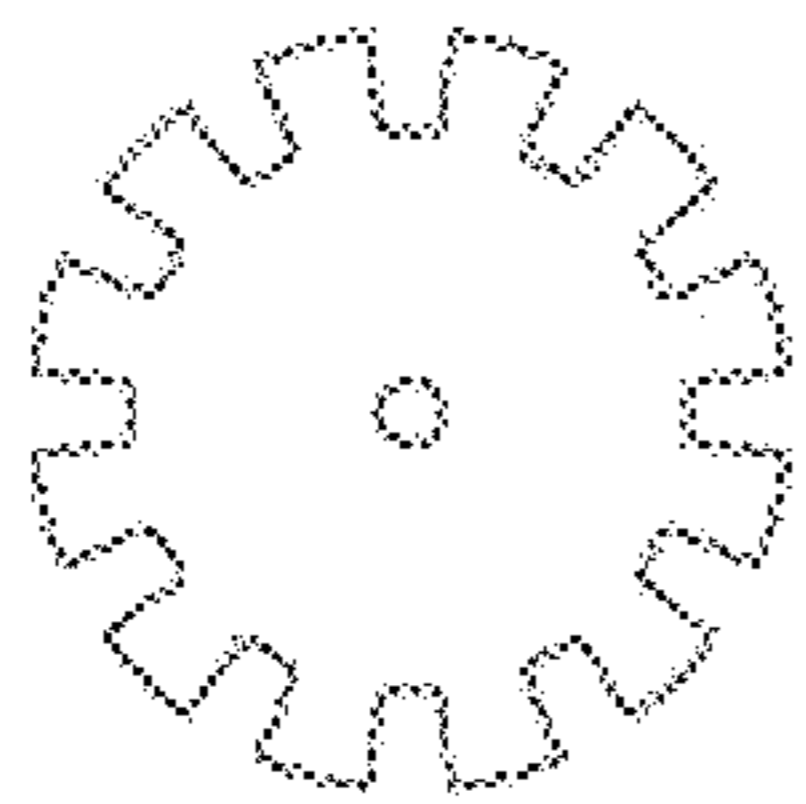


FIG. 3

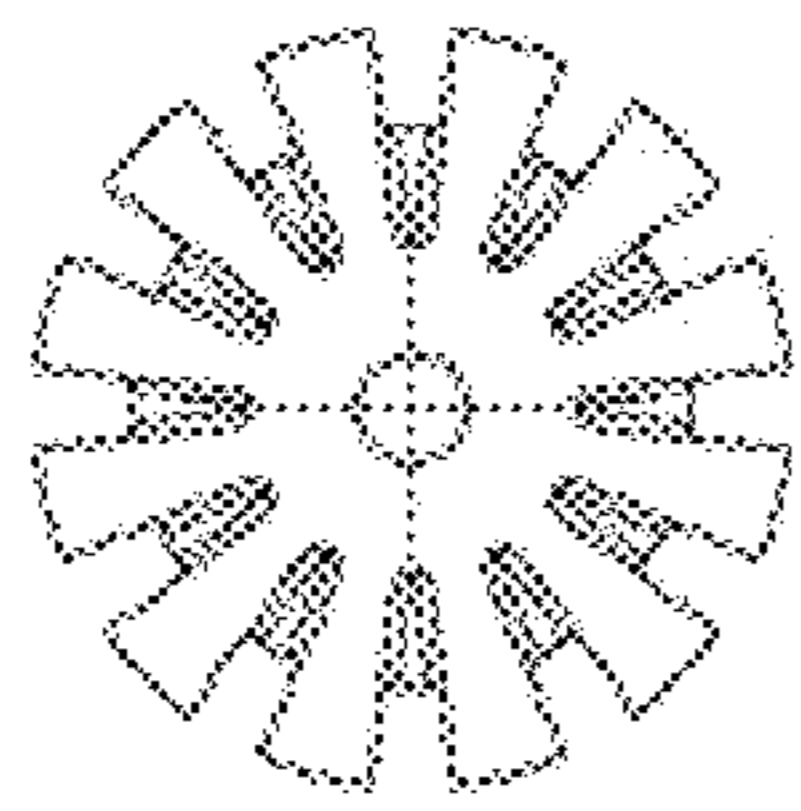


FIG. 4

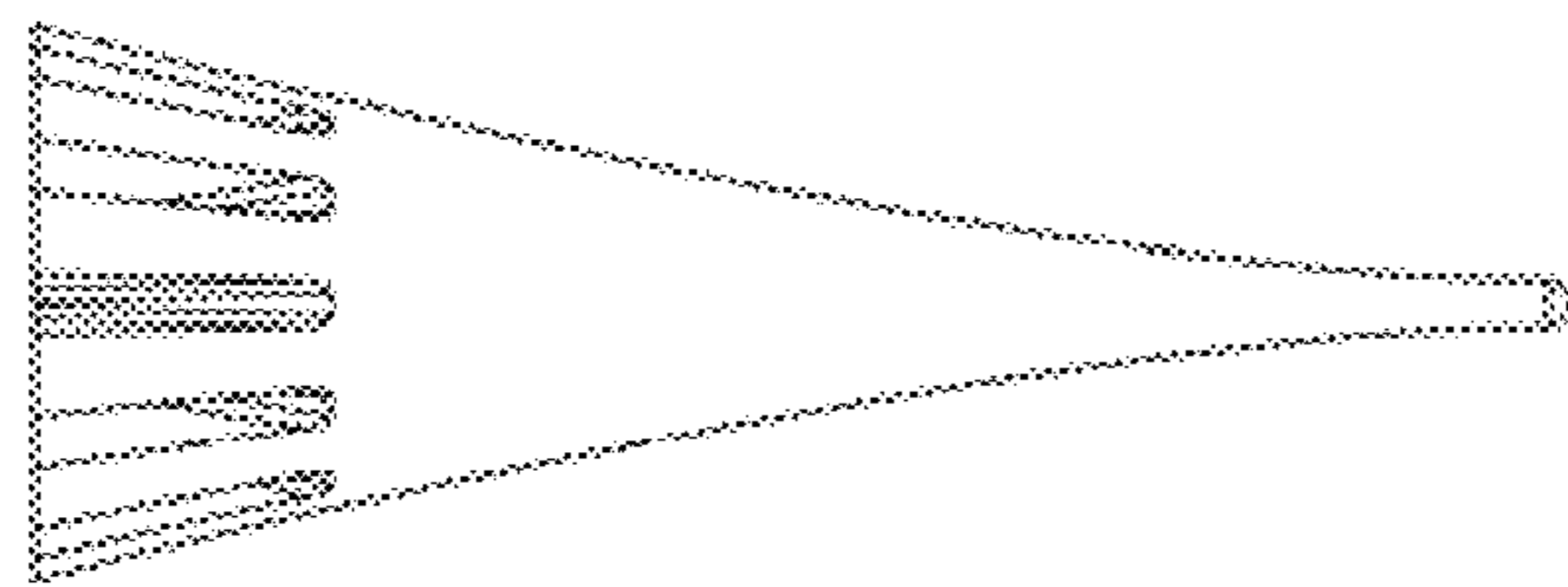


FIG. 5

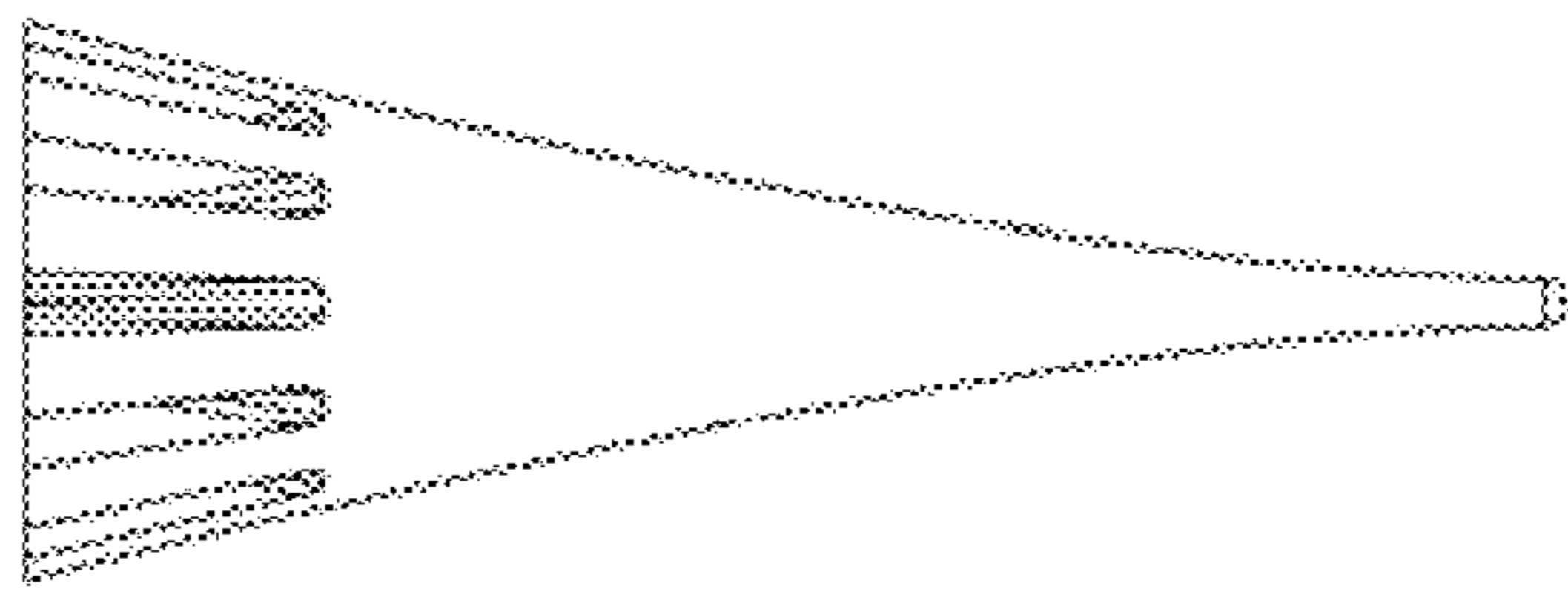


FIG. 6