



US00D904563S

(12) **United States Design Patent** (10) **Patent No.:** **US D904,563 S**
Ross (45) **Date of Patent:** **** Dec. 8, 2020**

(54) **CONSUMABLE FLUID HEAD CARTRIDGE**

(71) Applicant: **Graco Minnesota Inc.**, Minneapolis, MN (US)

(72) Inventor: **Daniel P. Ross**, Vadnais Heights, MN (US)

(73) Assignee: **Graco Minnesota Inc.**, Minneapolis, MN (US)

(**) Term: **15 Years**

(21) Appl. No.: **29/698,843**

(22) Filed: **Jul. 19, 2019**

(51) **LOC (12) Cl.** **23-01**

(52) **U.S. Cl.**
USPC **D23/213**

(58) **Field of Classification Search**
USPC D23/207, 213, 214, 215, 223, 224, 226,
D23/229, 230; D24/108, 224, 232
CPC A61H 9/0021; A61H 33/00; B05B 1/00;
B05B 1/14; B05B 1/185; B05B 1/08;
B05B 1/02; B05B 1/26; B05B 12/002;
B05B 1/18; B05B 9/01
See application file for complete search history.

(56) **References Cited**

U.S. PATENT DOCUMENTS

4,437,103 A * 3/1984 Ikeda B41J 2/162
239/601
D305,360 S * 1/1990 Fechtner D24/226
D309,015 S * 7/1990 Fechtner D24/224
D638,518 S * 5/2011 Herre D23/213
D676,544 S * 2/2013 Blocher D24/108
D693,427 S * 11/2013 Jones D23/213
D733,455 S * 7/2015 Watson D6/542
D749,693 S * 2/2016 Evans D23/213

D866,747 S * 11/2019 Tucker D24/108
2013/0155156 A1* 6/2013 Harvey B41J 2/1752
347/86
2017/0356582 A1* 12/2017 Pappalardo F16L 37/0848

OTHER PUBLICATIONS

<https://christianfab.com/graco-fusion-proconnect-replacement-cartridge-3-pack-pc/> (Year: 2019).*
First Examination Report for IN Application No. 326137-011, dated Feb. 17, 2020, pp. 2.

* cited by examiner

Primary Examiner — Manpreet S Matharu

Assistant Examiner — Keith J Wilson

(74) *Attorney, Agent, or Firm* — Kinney & Lange, P.A.

(57) **CLAIM**

The ornamental design for a consumable fluid head cartridge, as shown and described.

DESCRIPTION

FIG. 1 is a perspective view of a consumable fluid head cartridge;
FIG. 2 is a front elevational view of the consumable fluid head cartridge;
FIG. 3 is a rear elevational view of the consumable fluid head cartridge;
FIG. 4 is a left side view of the consumable fluid head cartridge;
FIG. 5 is a right side view of the consumable fluid head cartridge;
FIG. 6 is a top plan view of the consumable fluid head cartridge; and,
FIG. 7 is a bottom plan view of the consumable fluid head cartridge.
The broken lines shown represent portions of a consumable fluid head cartridge and form no part of the claimed design.

1 Claim, 3 Drawing Sheets

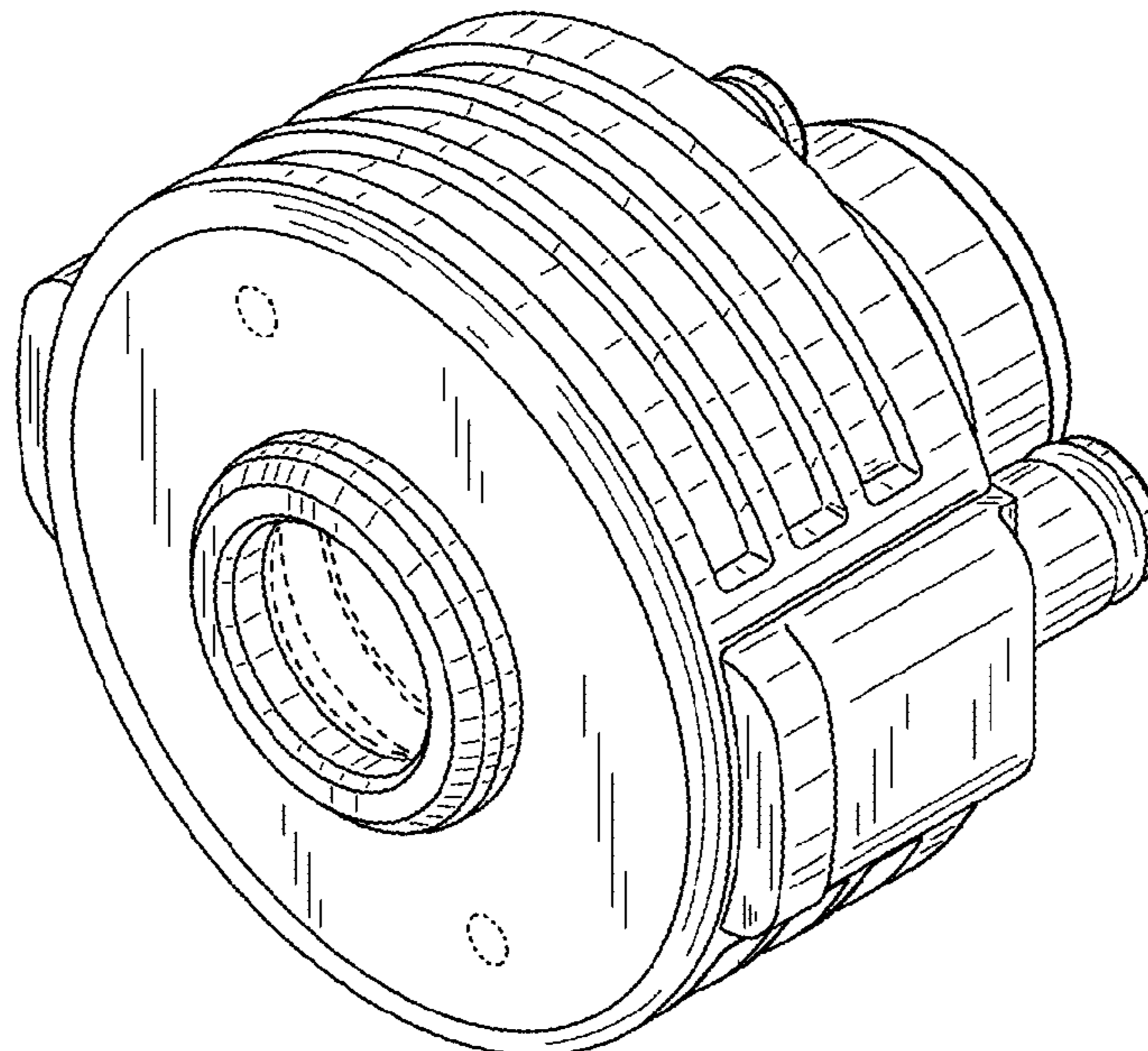


Fig. 1

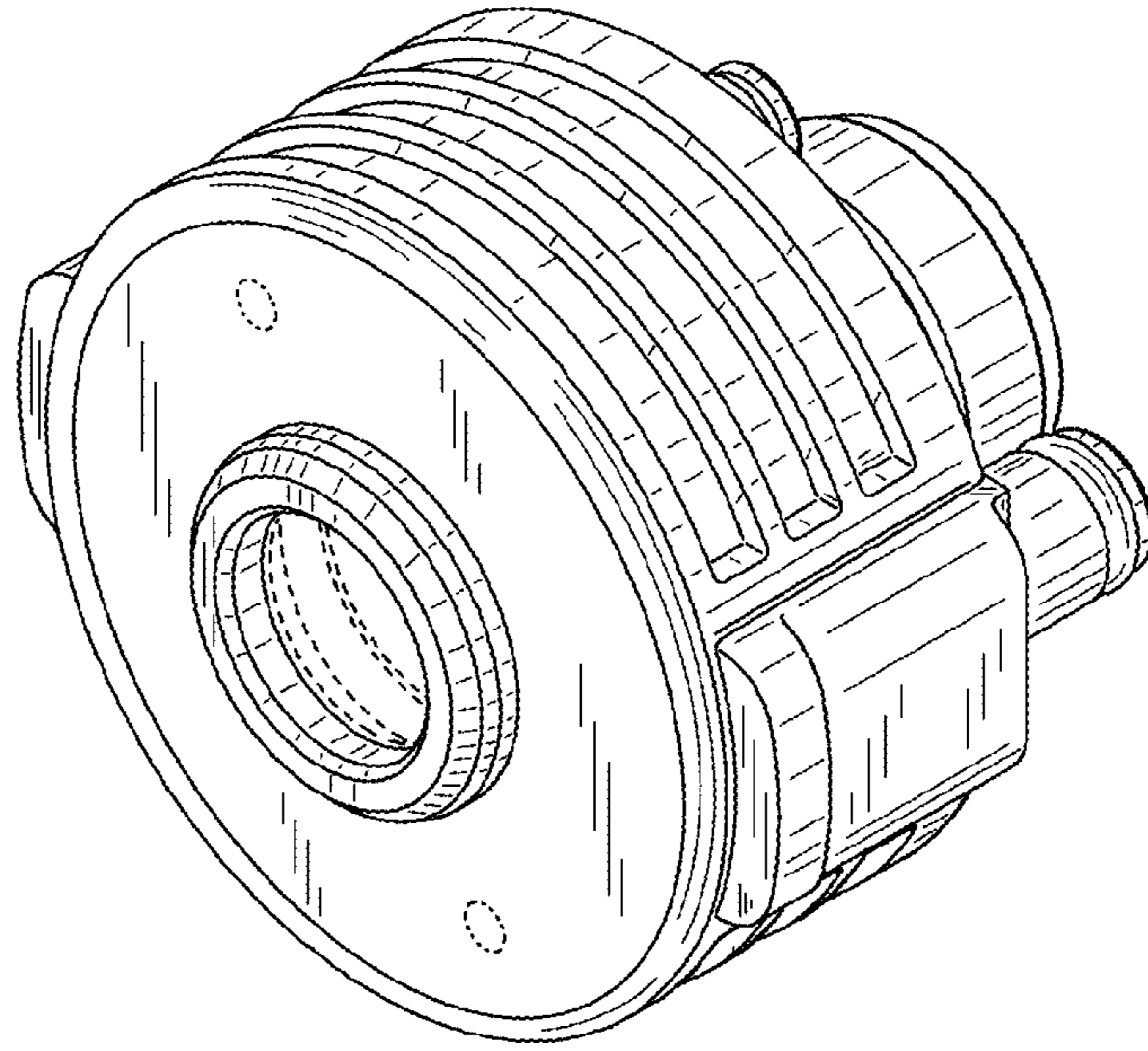


Fig. 2

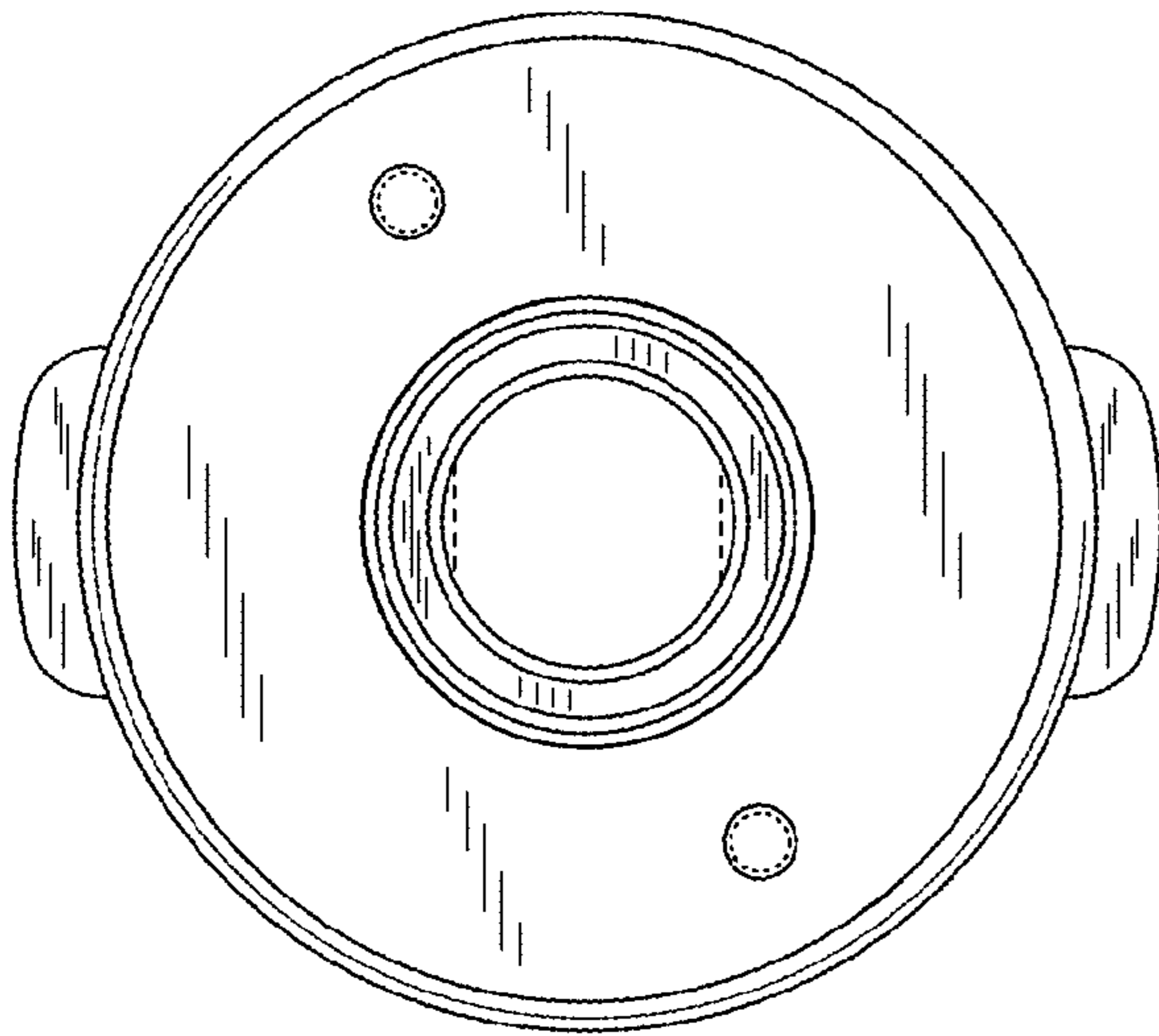
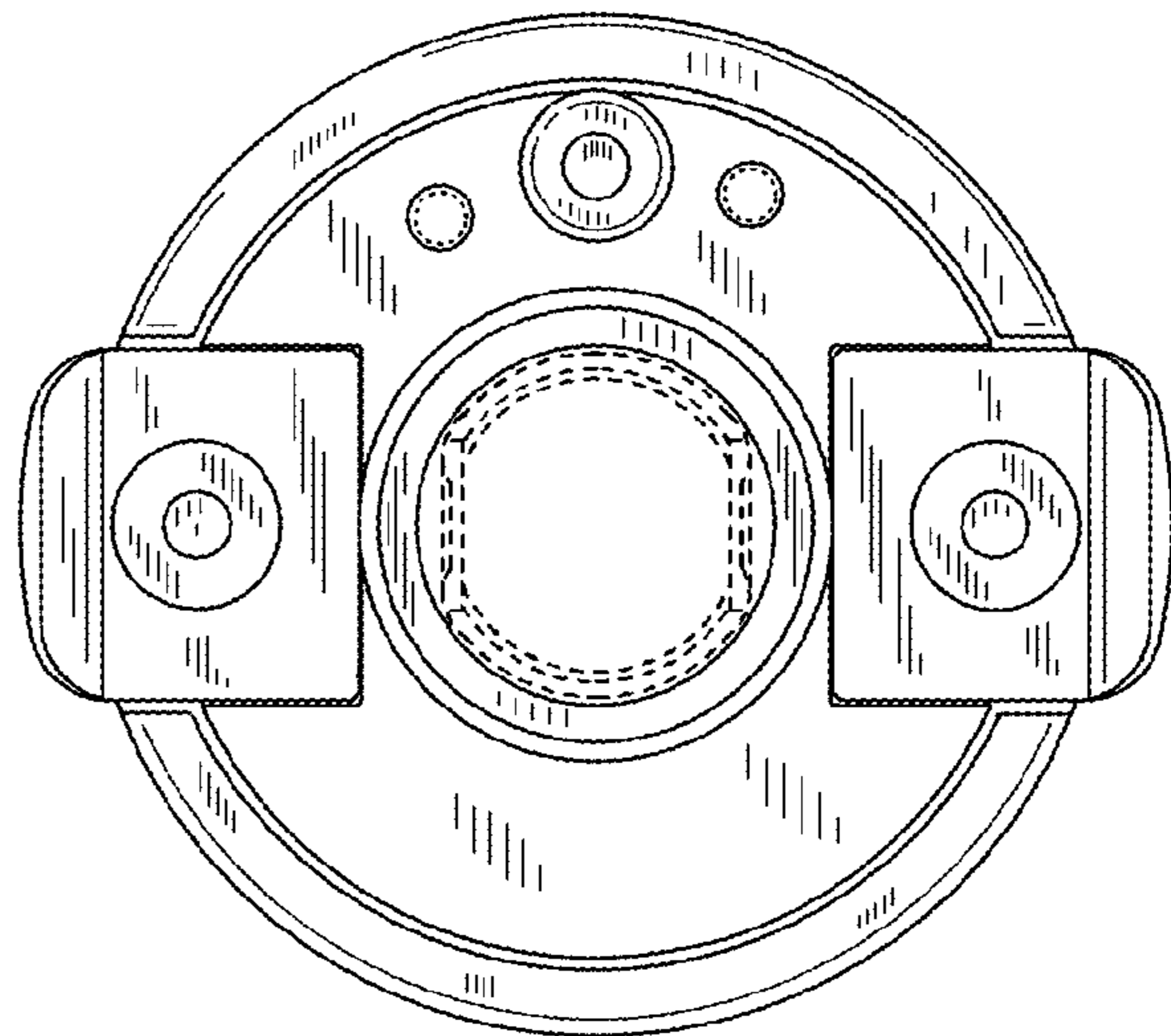


Fig. 3



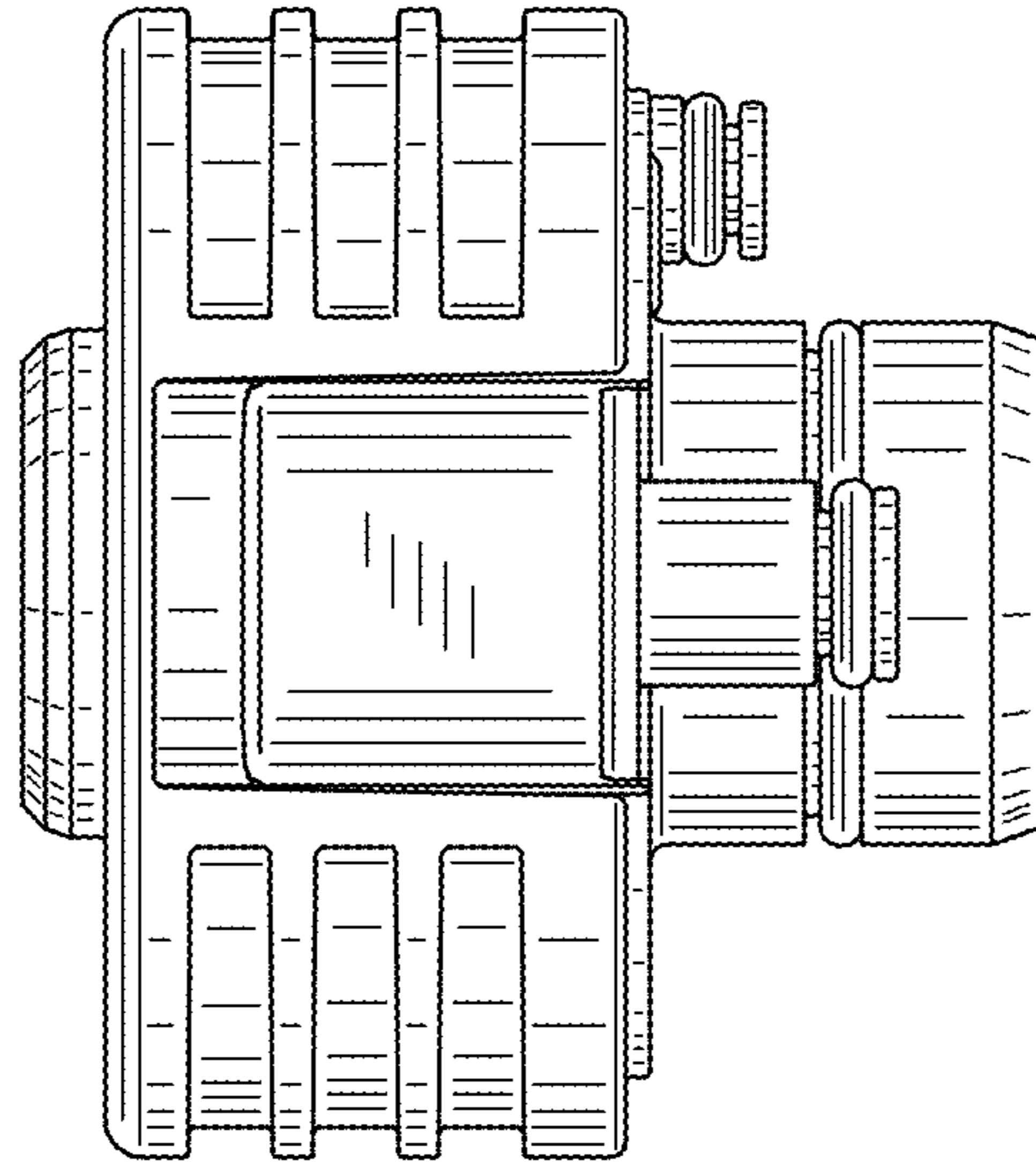


Fig. 4

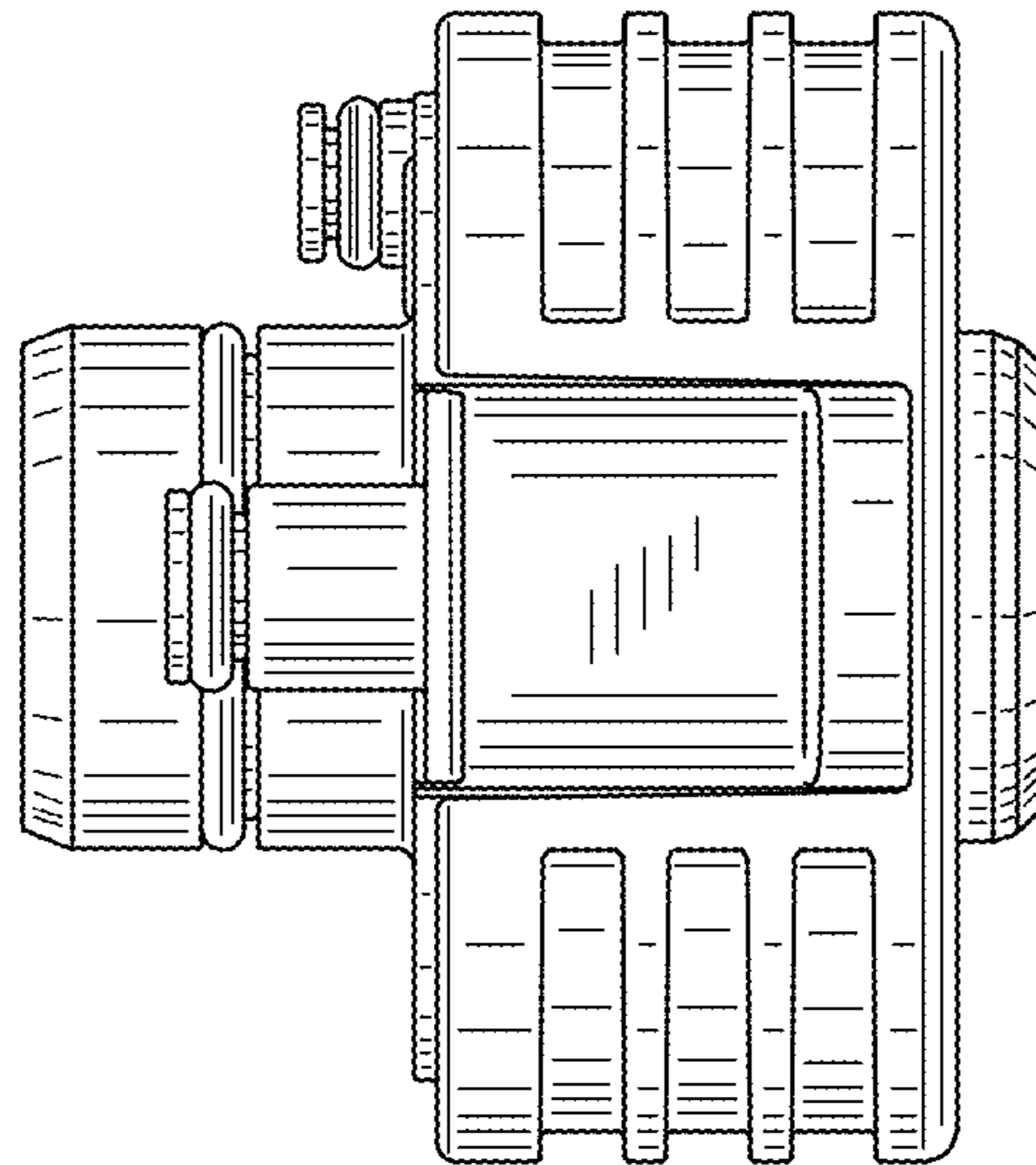


Fig. 5

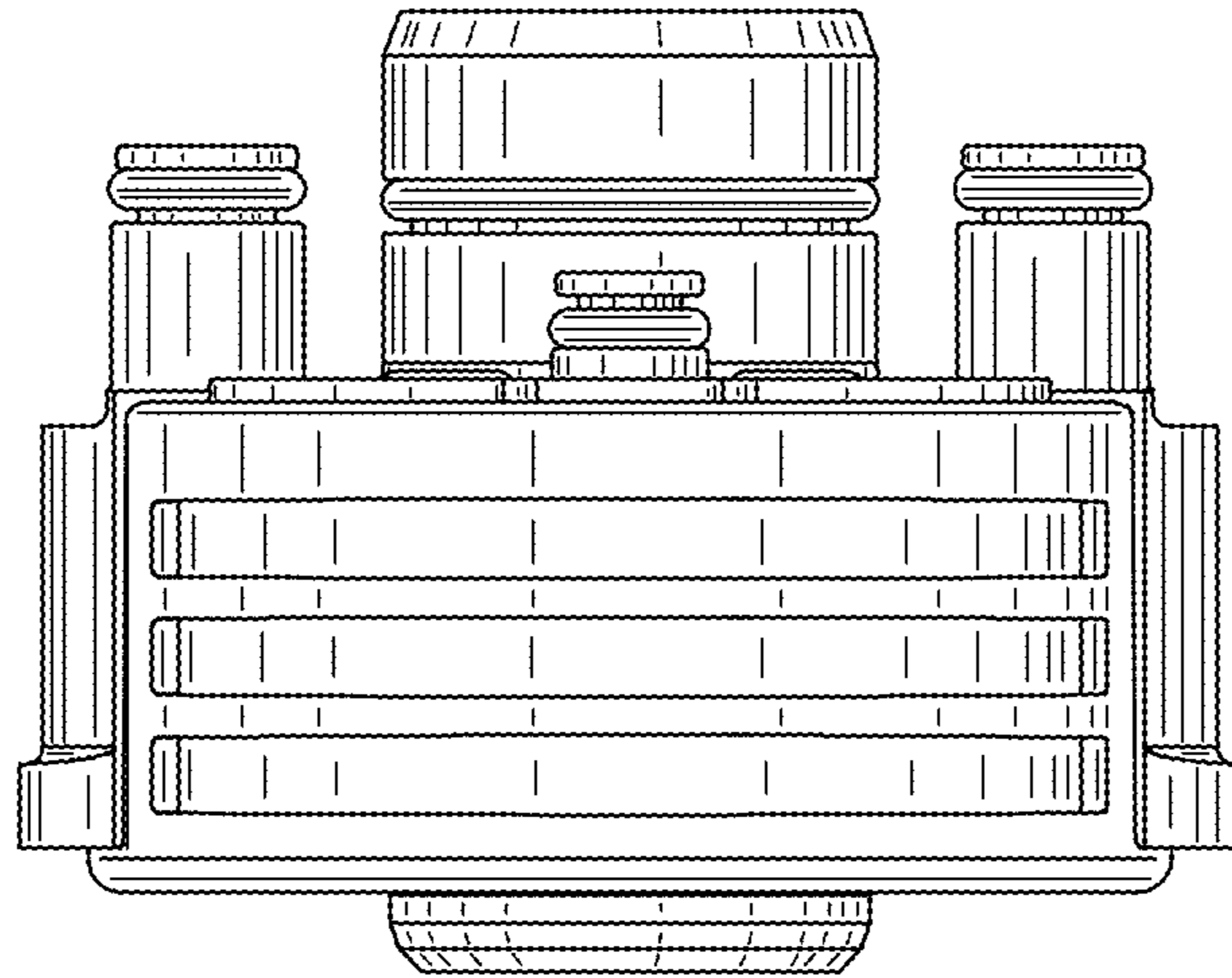


Fig. 6

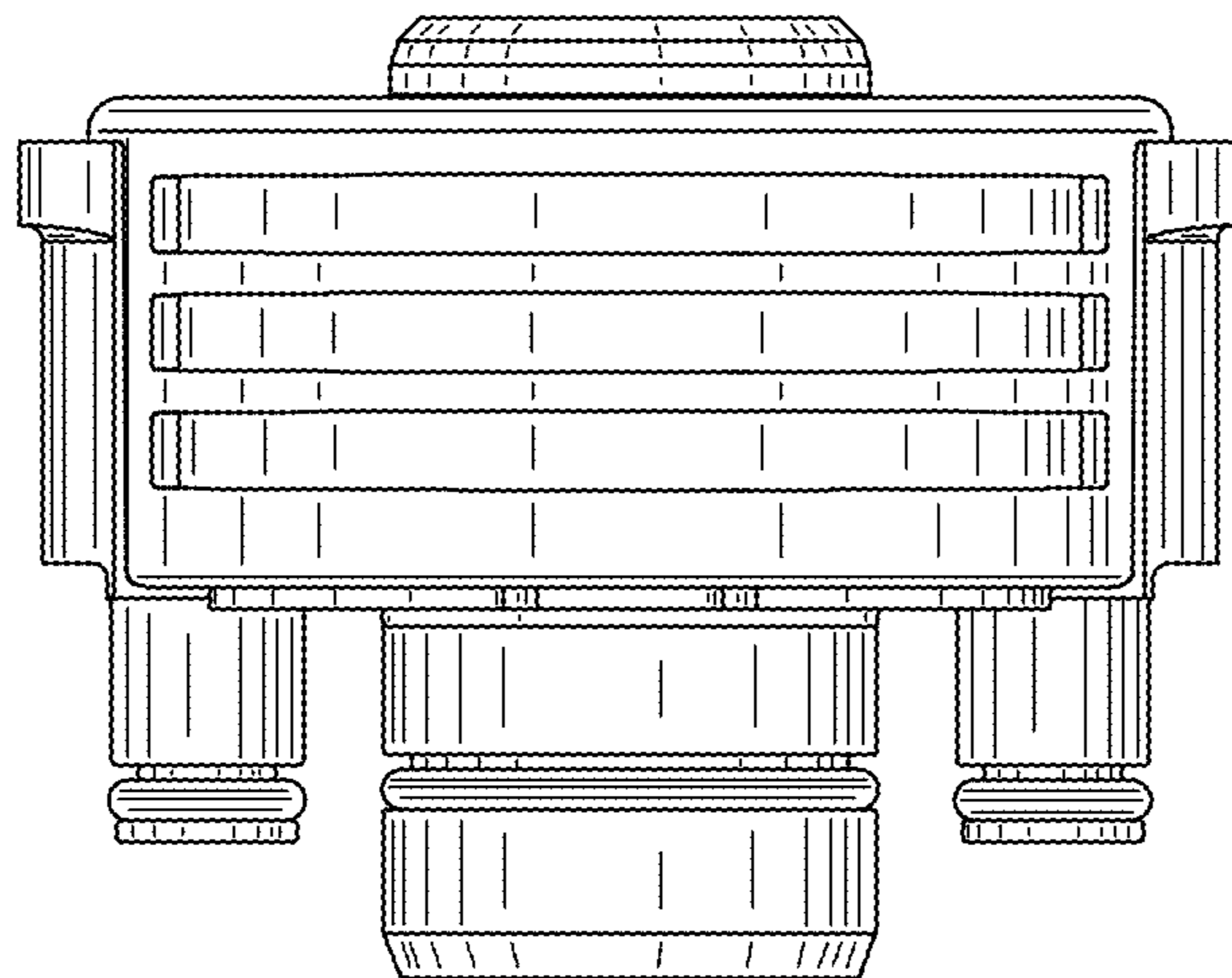


Fig. 7