



US00D904562S

(12) **United States Design Patent** (10) **Patent No.:** **US D904,562 S**
Stewart et al. (45) **Date of Patent:** **** Dec. 8, 2020**

- (54) **COMPONENT MIXING CHAMBER**
- (71) Applicant: **Graco Minnesota Inc.**, Minneapolis, MN (US)
- (72) Inventors: **Samuel R. Stewart**, Minneapolis, MN (US); **Jacob R. Whiteoak**, Blaine, MN (US); **Jack A. Bosak**, Coon Rapids, MN (US); **Daniel P. Ross**, Vadnais Heights, MN (US)
- (73) Assignee: **Graco Minnesota Inc.**, Minneapolis, MN (US)
- (**) Term: **15 Years**
- (21) Appl. No.: **29/698,837**
- (22) Filed: **Jul. 19, 2019**
- (51) **LOC (12) Cl.** **23-01**
- (52) **U.S. Cl.**
USPC **D23/213**
- (58) **Field of Classification Search**
USPC D23/207, 213–215, 223–226, 229–230, D23/235, 259–260; D15/122, 145; D13/133
CPC A61H 9/0021; A61H 33/00; B05B 9/01; B05B 1/00; B05B 1/02; B05B 1/08; B05B 1/14; B05B 1/18; B05B 1/26; B05B 1/185; B05B 7/0081; B05C 17/00553; B05C 17/00566
See application file for complete search history.

- 4,715,537 A * 12/1987 Calder B05B 15/16 239/119
- 5,004,351 A 4/1991 Salaba et al.
- 5,067,886 A 11/1991 Salaba et al.
- D356,853 S * 3/1995 Fowler D23/213
- D366,051 S * 1/1996 Lewis D15/138
- (Continued)

OTHER PUBLICATIONS

Graco, PC42FL Fusion ProConnect Flat 01 Mix Chamber with 0.042 in (1.1 mm) Orifice Size, (site visited Sep. 22, 2020), Graco.com, URL:<<https://www.graco.com/us/en/contractor/product/pc42fl-fusion-pc.html>> (Year: 2020).*

(Continued)

Primary Examiner — Sheryl Lane
Assistant Examiner — Mark T. Philipps
(74) *Attorney, Agent, or Firm* — Kinney & Lange, P.A.

(57) **CLAIM**

The ornamental design for a component mixing chamber, as shown and described.

DESCRIPTION

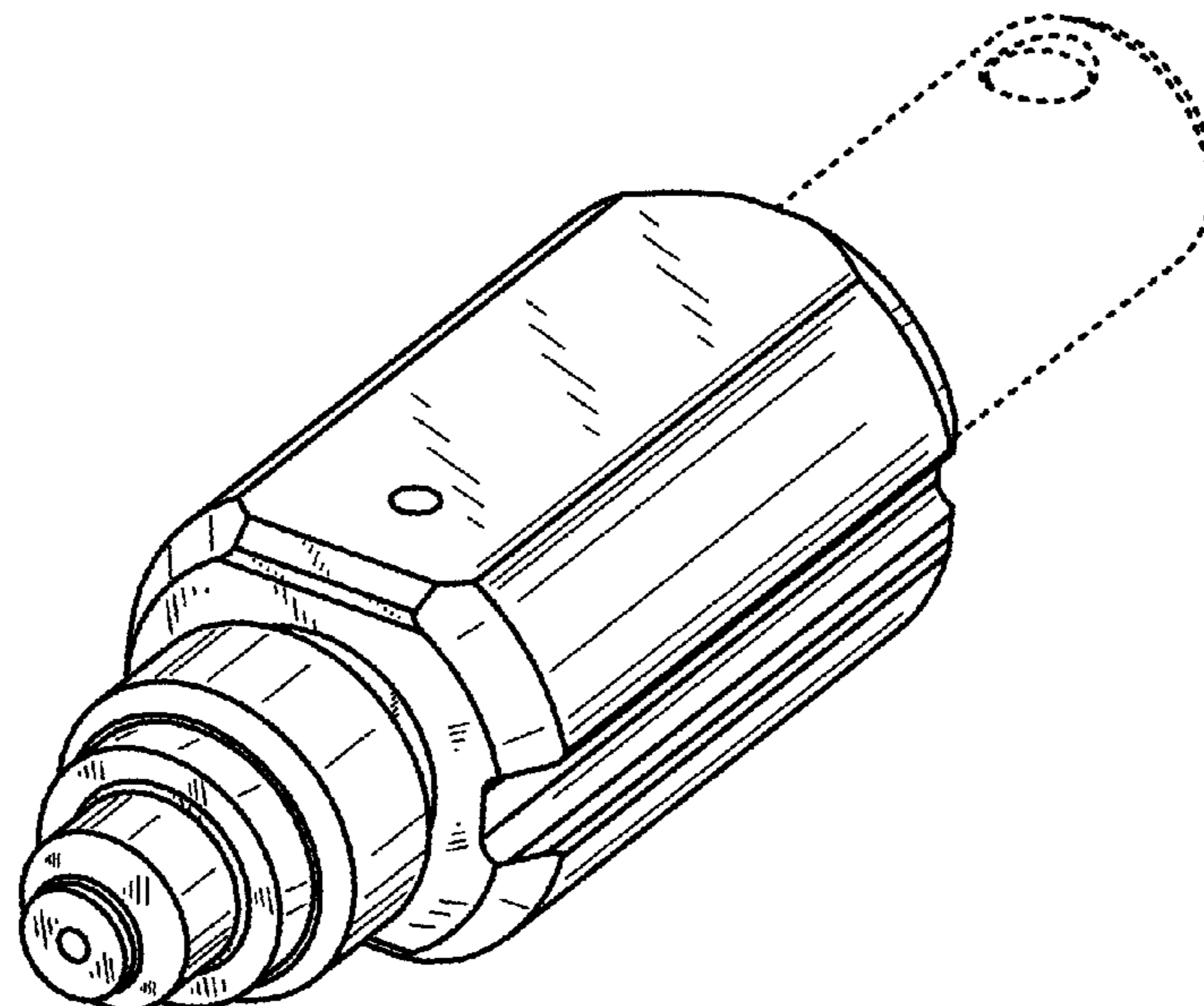
FIG. 1 is a perspective view a component mixing chamber; FIG. 2 is a front elevational view of the component mixing chamber; FIG. 3 is a rear elevational view of the component mixing chamber; FIG. 4 is a left side view of the component mixing chamber; FIG. 5 is a right side view of the component mixing chamber; FIG. 6 is a top view of the component mixing chamber; and, FIG. 7 is a bottom view of the component mixing chamber. The broken lines in the Figures are for environmental purposes only and form no part of the claimed design.

1 Claim, 2 Drawing Sheets

(56) **References Cited**

U.S. PATENT DOCUMENTS

- 3,901,408 A 8/1975 Boden et al.
- 4,074,857 A * 2/1978 Calder B05B 1/28 239/119
- 4,392,617 A * 7/1983 Bakos B05B 7/0081 239/290



(56)

References Cited

U.S. PATENT DOCUMENTS

5,922,131 A * 7/1999 Haas B05B 3/1064
118/620
6,158,672 A * 12/2000 Millan B05B 7/0081
239/290
D436,648 S * 1/2001 Maddox D23/213
6,412,516 B1 * 7/2002 Goldsmith B05B 1/3026
137/454.6
D470,818 S * 2/2003 Cheng D13/133
D471,563 S * 3/2003 Selic D15/7
D481,102 S * 10/2003 Marshik D23/213
6,685,106 B1 * 2/2004 van der Steur B05B 7/0081
239/291
6,758,413 B1 * 7/2004 Chen B05B 1/12
239/390
D558,673 S * 1/2008 Easley D13/133
D565,697 S * 4/2008 Thiel D23/213
D567,900 S * 4/2008 Patterson D23/213
D617,870 S 6/2010 Wright
D636,844 S * 4/2011 Herre D23/213
D639,905 S 6/2011 Uchida
D639,906 S * 6/2011 Wright D23/213
D742,927 S * 11/2015 Thompson D15/7
D745,635 S * 12/2015 Schwarz D23/213
D752,648 S * 3/2016 Kopel D15/7
D776,787 S 1/2017 Zhang
D812,714 S 3/2018 Hughes et al.
D822,156 S 7/2018 Krebs
D872,828 S * 1/2020 Bloom D23/213
D872,829 S * 1/2020 Bloom D23/213
D875,883 S 2/2020 Fujii et al.

D877,777 S * 3/2020 Pickard D15/7
D888,197 S * 6/2020 McDonnell D23/213
D888,890 S * 6/2020 Hamlin D23/213
2007/0034713 A1 * 2/2007 Wang B05B 1/3026
239/263
2008/0260889 A1 * 10/2008 Jenko B29C 45/278
425/549
2013/0140225 A1 * 6/2013 Decock B65D 47/2087
210/321.6
2015/0202637 A1 * 7/2015 Nikles F21V 33/004
239/71
2015/0361968 A1 12/2015 Schroeder et al.
2016/0001307 A1 * 1/2016 Schurle E03C 1/0408
239/468
2016/0303595 A1 * 10/2016 Duncan G09F 3/02
2018/0021611 A1 * 1/2018 Unrath A62C 31/03
239/590
2020/0129998 A1 4/2020 Ross et al.

OTHER PUBLICATIONS

First Examination Report for in Application No. 326138-001, dated Feb. 19, 2020, pp. 2.
First Examination Report for in Application No. 326139-001, dated Feb. 20, 2020, pp. 2.
First Examination Report for in Application No. 326135-001, dated Feb. 21, 2020, pp. 2.
First Examination Report for in Application No. 326134-001, dated Feb. 27, 2020, pp. 2.
<https://www.amazon.com/Graco-Fusion-Mixing-Chamber-AR5252/dp/B011P26D2U> (Year: 2015).

* cited by examiner

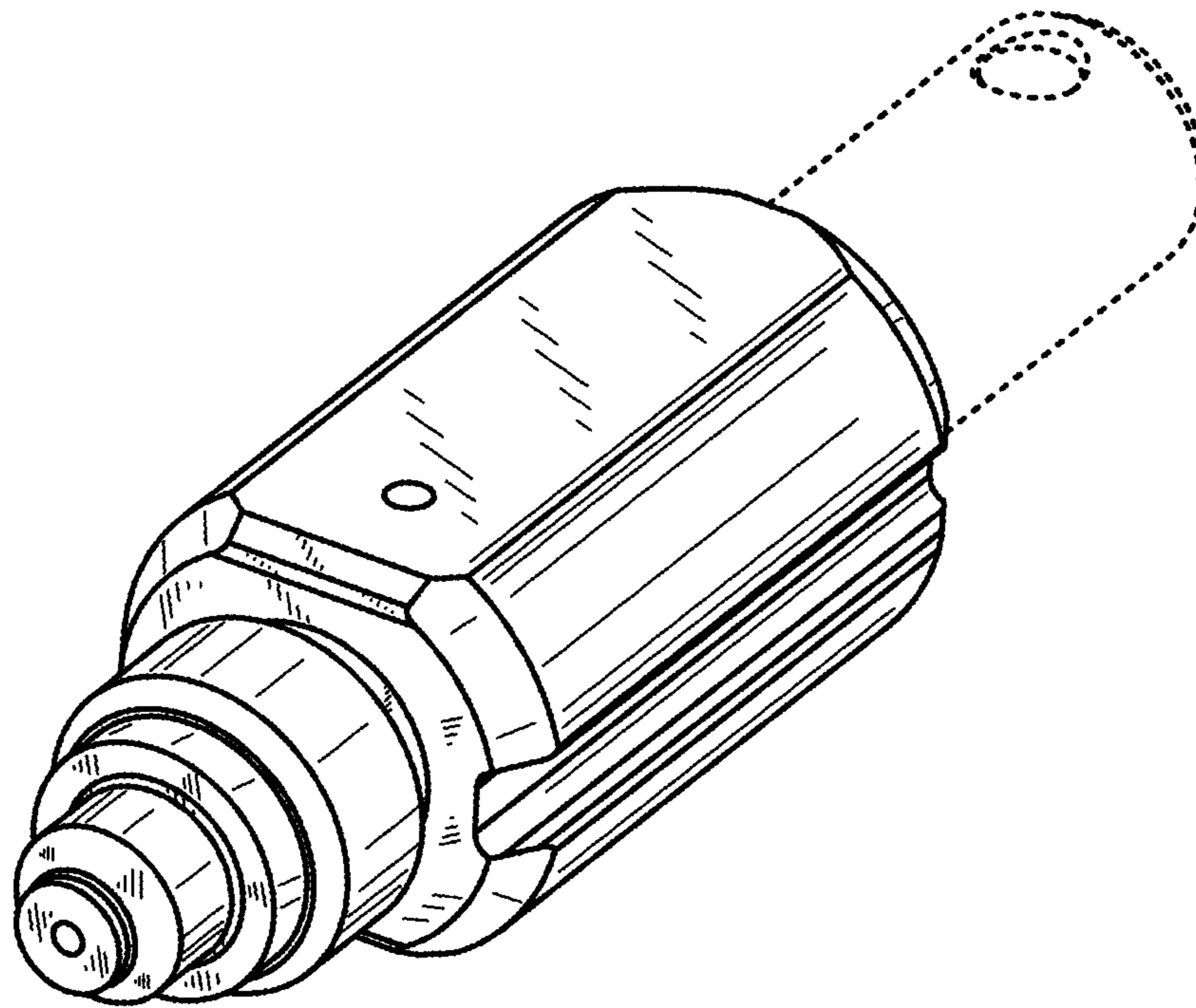


Fig. 1

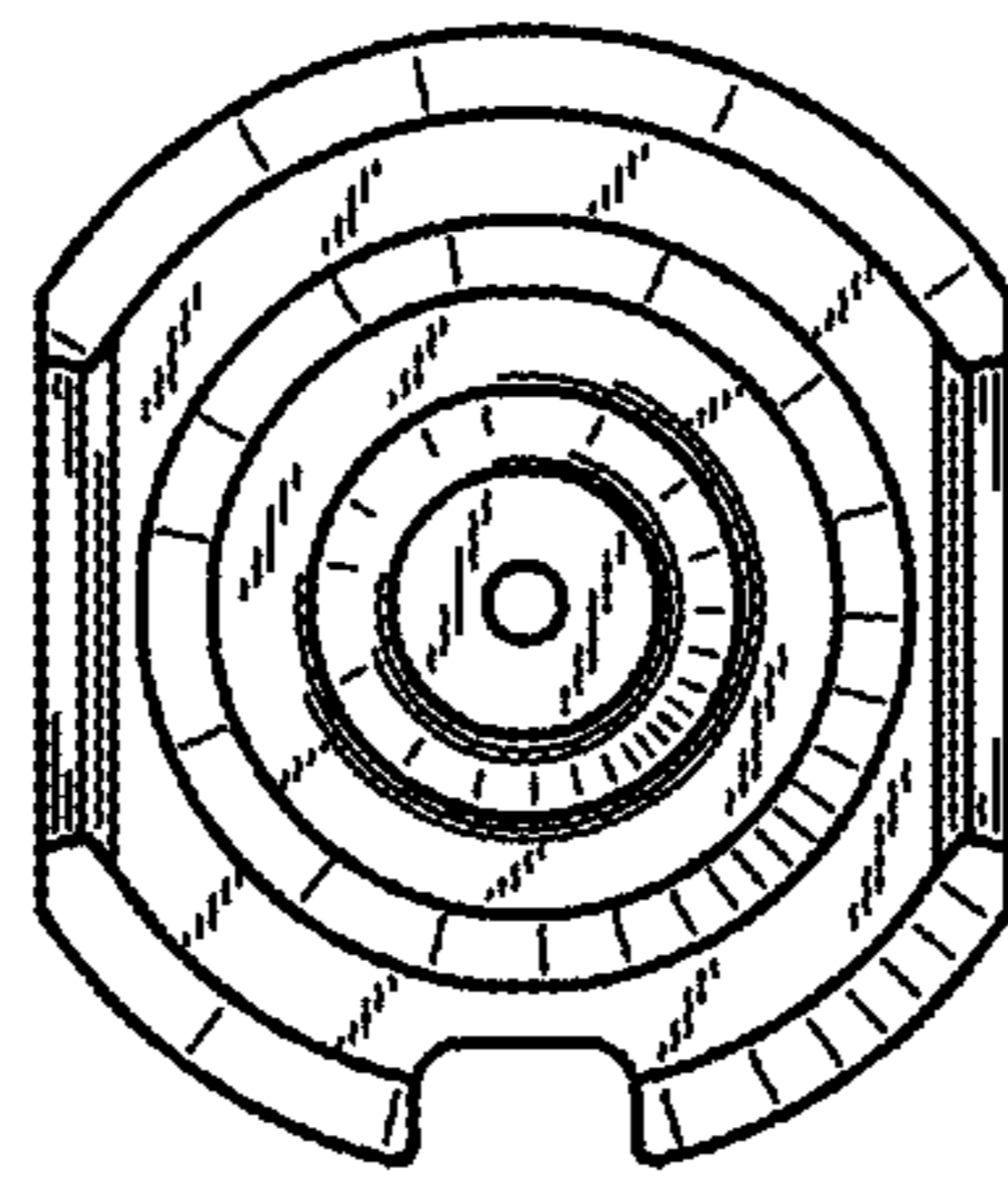


Fig. 2

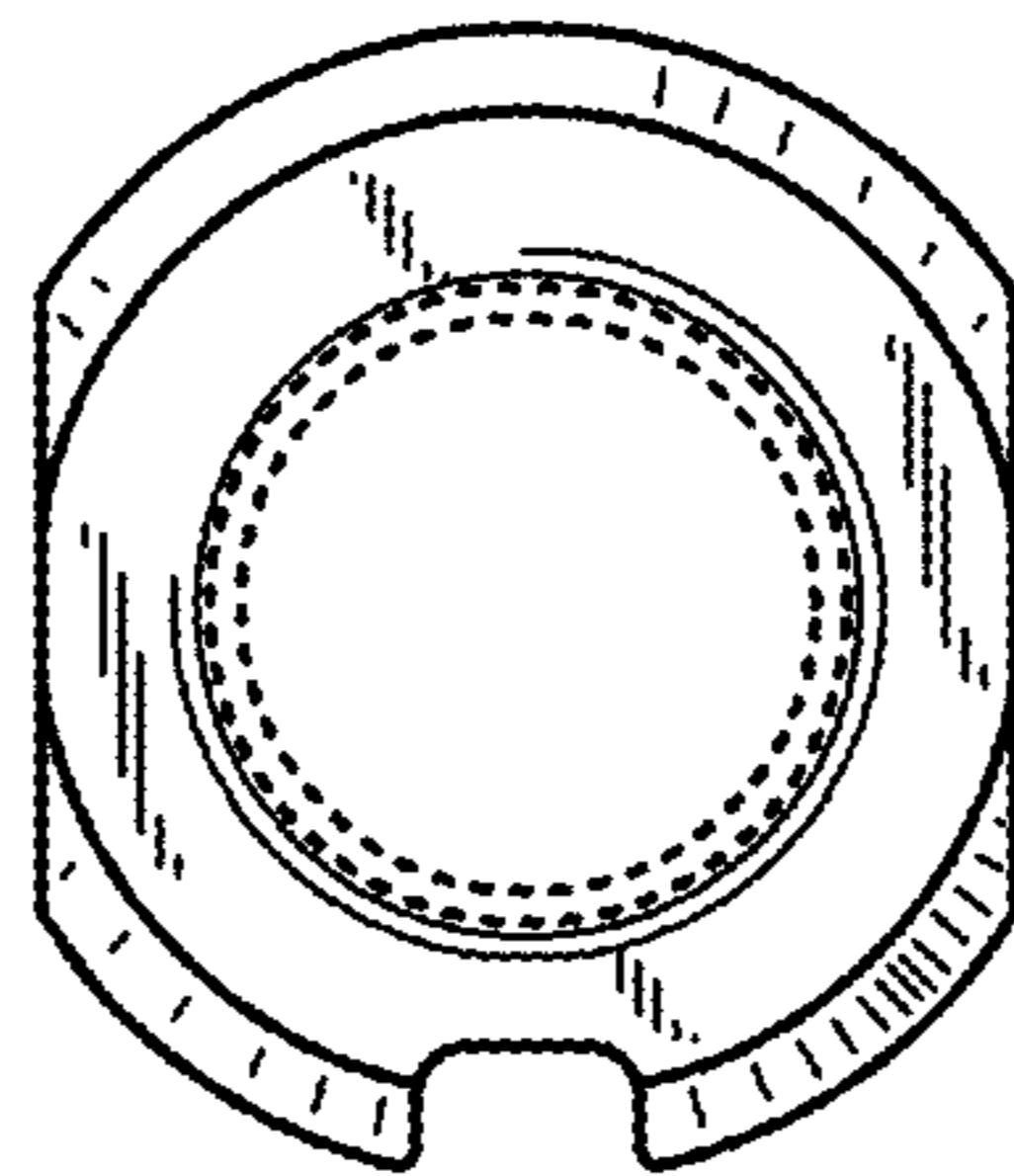


Fig. 3

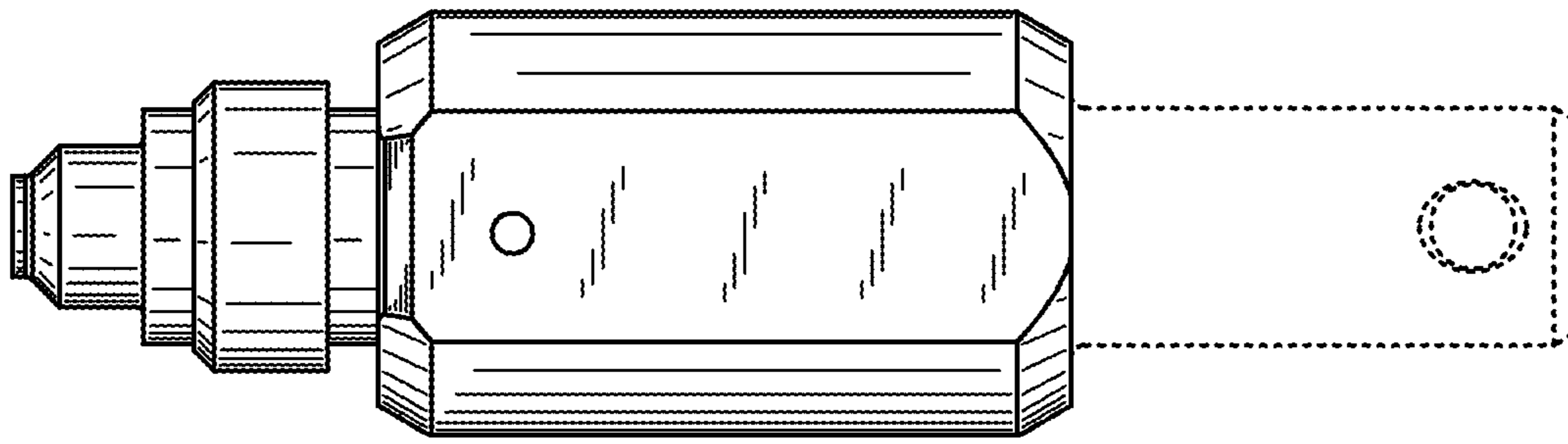


Fig. 4

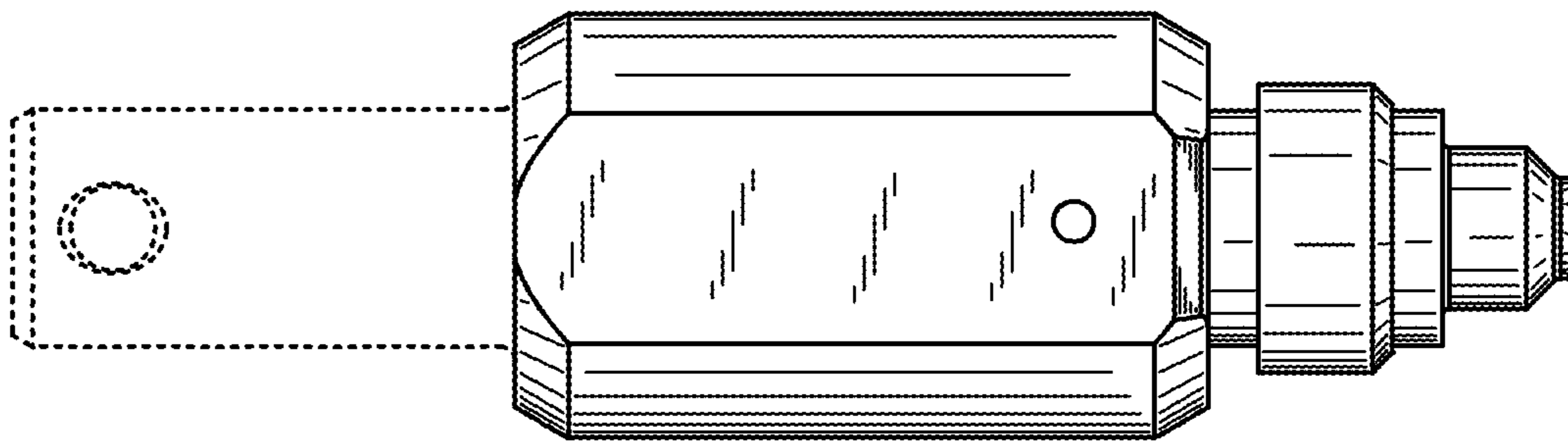


Fig. 5

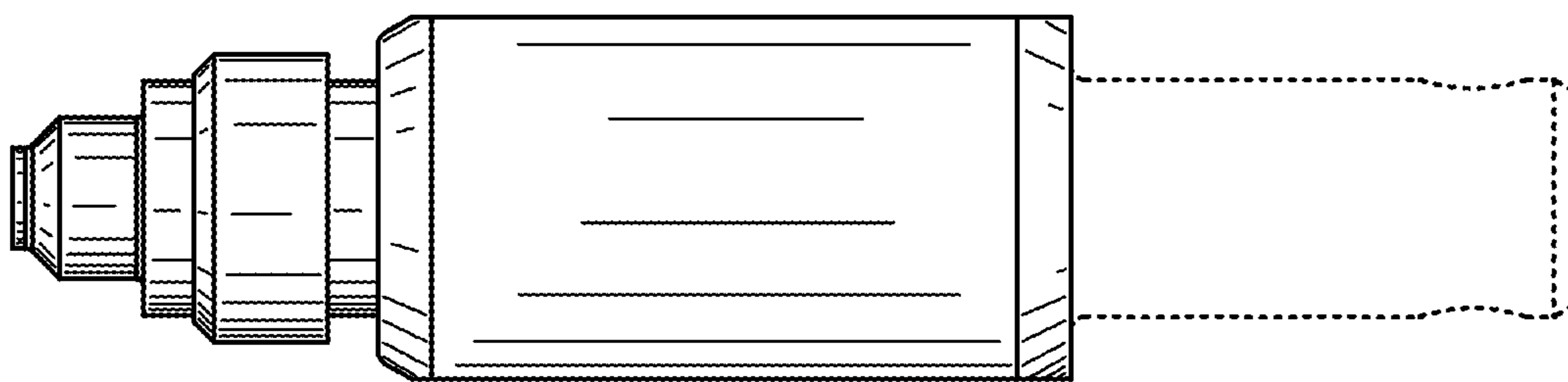


Fig. 6



Fig. 7