



US00D904561S

(12) **United States Design Patent**
Zhu et al.

(10) **Patent No.: US D904,561 S**

(45) **Date of Patent: ** Dec. 8, 2020**

(54) **SHOWERHEAD WITH HOLDER DEVICE**

(71) Applicant: **Xiamen Rainshower Co. Ltd**, Xiamen (CN)

(72) Inventors: **Binghuo Zhu**, Xiamen (CN); **Hewei Liu**, Xiamen (CN); **Kunjing Fan**, Xiamen (CN)

(**) Term: **15 Years**

(21) Appl. No.: **29/687,301**

(22) Filed: **Apr. 12, 2019**

(51) **LOC (12) Cl.** **23-01**

(52) **U.S. Cl.**
USPC **D23/213**

(58) **Field of Classification Search**
USPC D23/213, 214, 215, 223, 224, 226, 229, D23/230
CPC A61H 9/0021; A61H 33/00; B05B 1/00; B05B 1/14; B05B 1/185; B05B 1/08; B05B 1/02; B05B 1/26; B05B 12/002; B05B 1/18; B05B 9/01
See application file for complete search history.

(56) **References Cited**

U.S. PATENT DOCUMENTS

6,537,455	B2 *	3/2003	Farley	C02F 1/003 210/251
D559,945	S *	1/2008	Patterson	D23/213
D564,621	S *	3/2008	Lammel	D23/223
D578,604	S *	10/2008	Wu	D23/223
D581,014	S *	11/2008	Quinn	D23/223
D610,651	S *	2/2010	Wu	D23/223
7,866,576	B1 *	1/2011	Farley	E03C 1/0409 239/553
D634,810	S *	3/2011	Yoo	D23/213
D659,796	S *	5/2012	Farley	D23/223
D659,797	S *	5/2012	Farley	D23/223
D666,010	S *	8/2012	Farley	D6/309
D680,619	S *	4/2013	Zhadanov	D23/223
D681,776	S *	5/2013	Cutler	D23/223

D744,065	S *	11/2015	Peterson	D23/223
D744,611	S *	12/2015	Quinn	D23/223
D755,346	S *	5/2016	Yan	D23/223
9,404,243	B2 *	8/2016	Cacka	B05B 1/1654
D779,039	S *	2/2017	Hanna	D23/223
9,764,339	B2 *	9/2017	Yu	B05B 1/18
D810,861	S *	2/2018	Weaver	D23/213
D820,949	S *	6/2018	Reinecker	D23/213
D842,967	S *	3/2019	Farley	D23/213
10,234,054	B1 *	3/2019	Yang	F16K 31/52408
D857,842	S *	8/2019	Yu	D23/213

(Continued)

OTHER PUBLICATIONS

https://www.amazon.com/Settings-Handheld-Stainless-Pressure-Adjustable/dp/B082MTFY1Z/ref=sr_1_76?keywords=shower+head&qid=1584135576&s=hi&sr=1-76 (Year: 2019).*

Primary Examiner — Manpreet S Matharu

Assistant Examiner — Keith J Wilson

(74) *Attorney, Agent, or Firm* — W&K IP

(57) **CLAIM**

The ornamental design for a showerhead with holder device, as shown and described.

DESCRIPTION

FIG. 1 is a perspective view of a Showerhead with holder device;

FIG. 2 is second perspective view thereof;

FIG. 3 is a front elevational view thereof;

FIG. 4 is a rear elevational view thereof;

FIG. 5 is a left elevational view thereof;

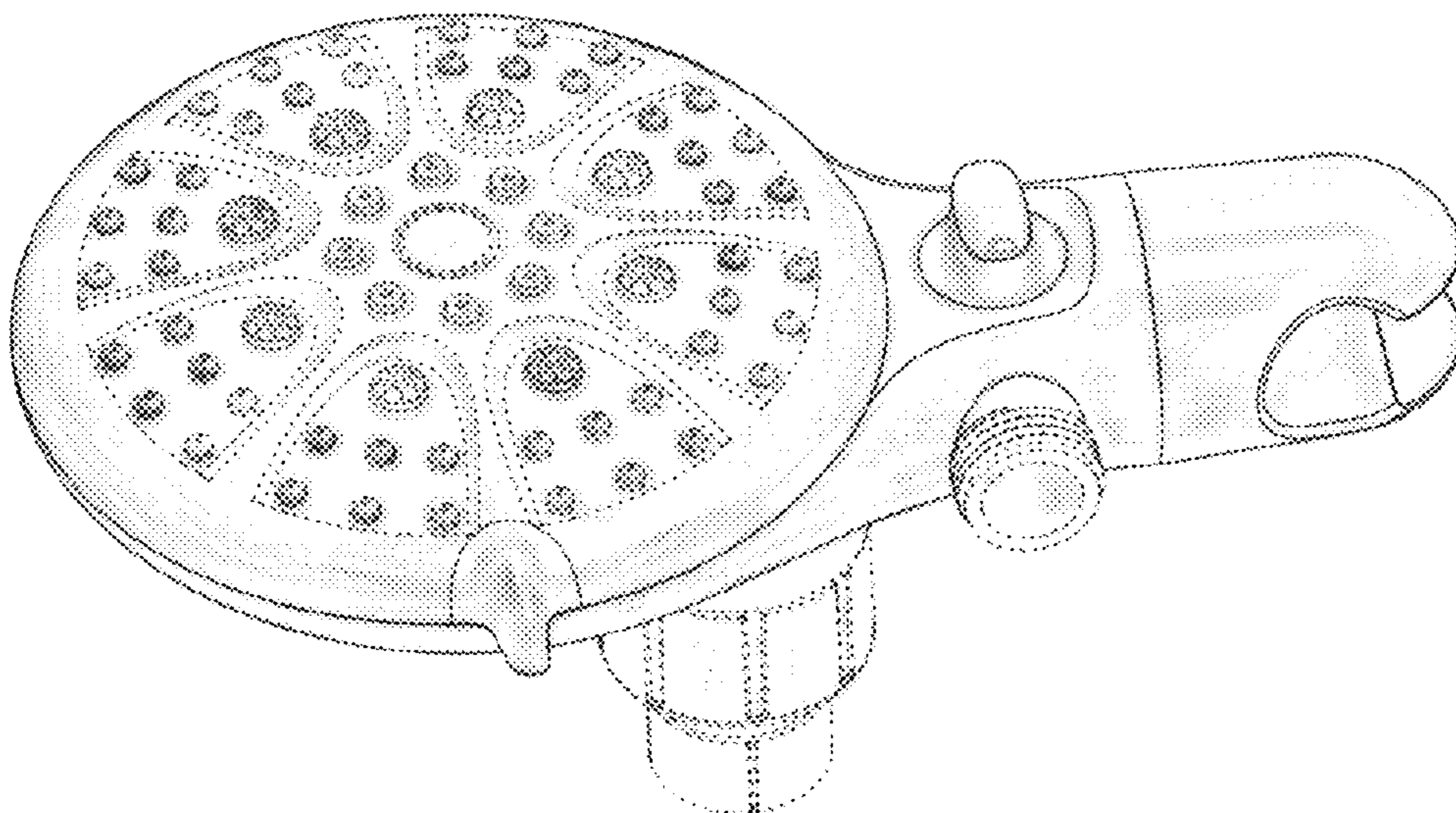
FIG. 6 is a right elevational view thereof;

FIG. 7 is a top plan view thereof; and,

FIG. 8 is a bottom plan view thereof.

The broken lines shown in the figures are included for the purpose of illustrating portions of the Showerhead with holder device and form no part of the claimed design.

1 Claim, 8 Drawing Sheets



(56)

References Cited

U.S. PATENT DOCUMENTS

2012/0031511 A1* 2/2012 Farley E03C 1/0408
137/544
2019/0091715 A1* 3/2019 Mercado B05B 1/185

* cited by examiner

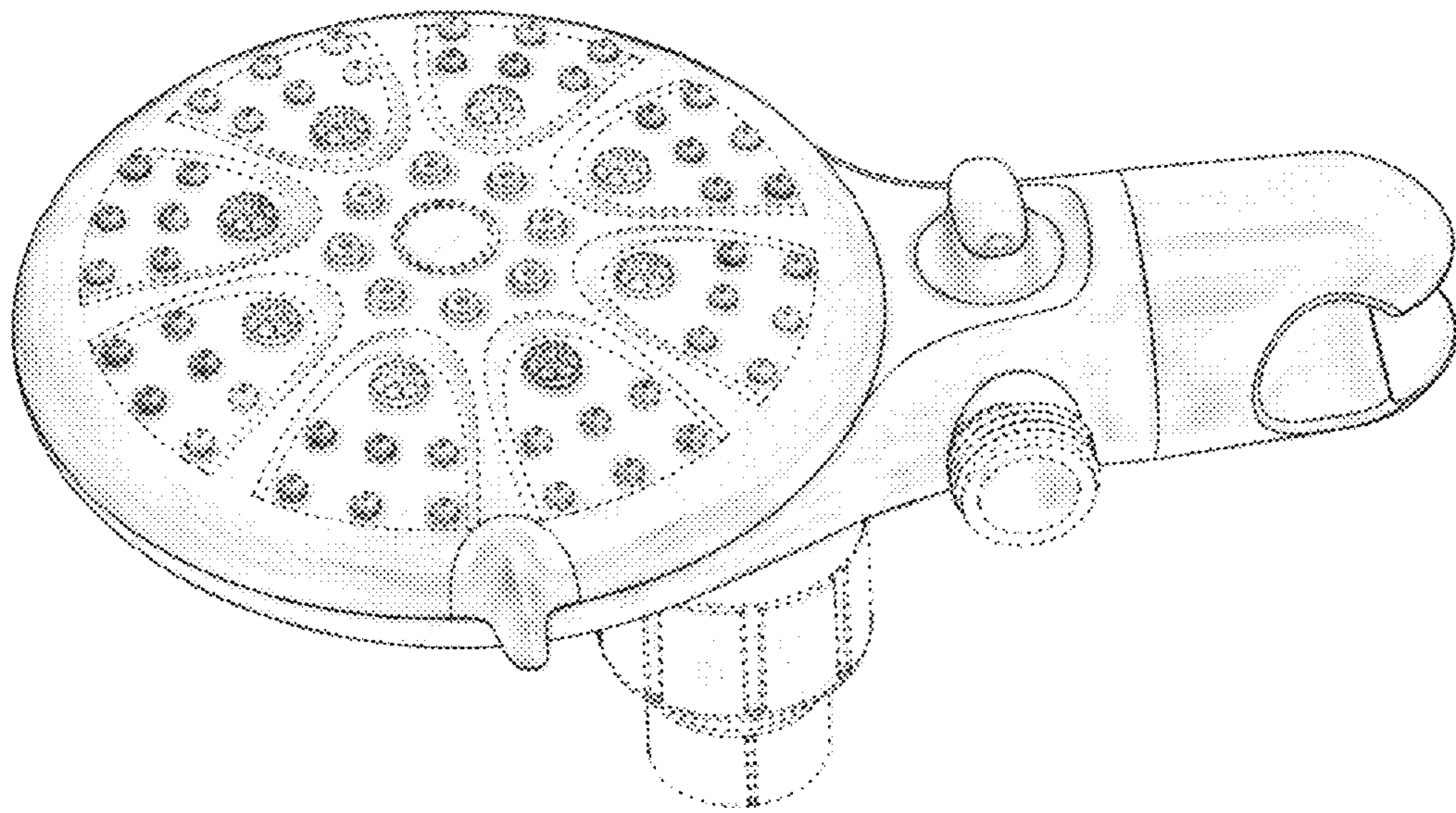


FIG. 1

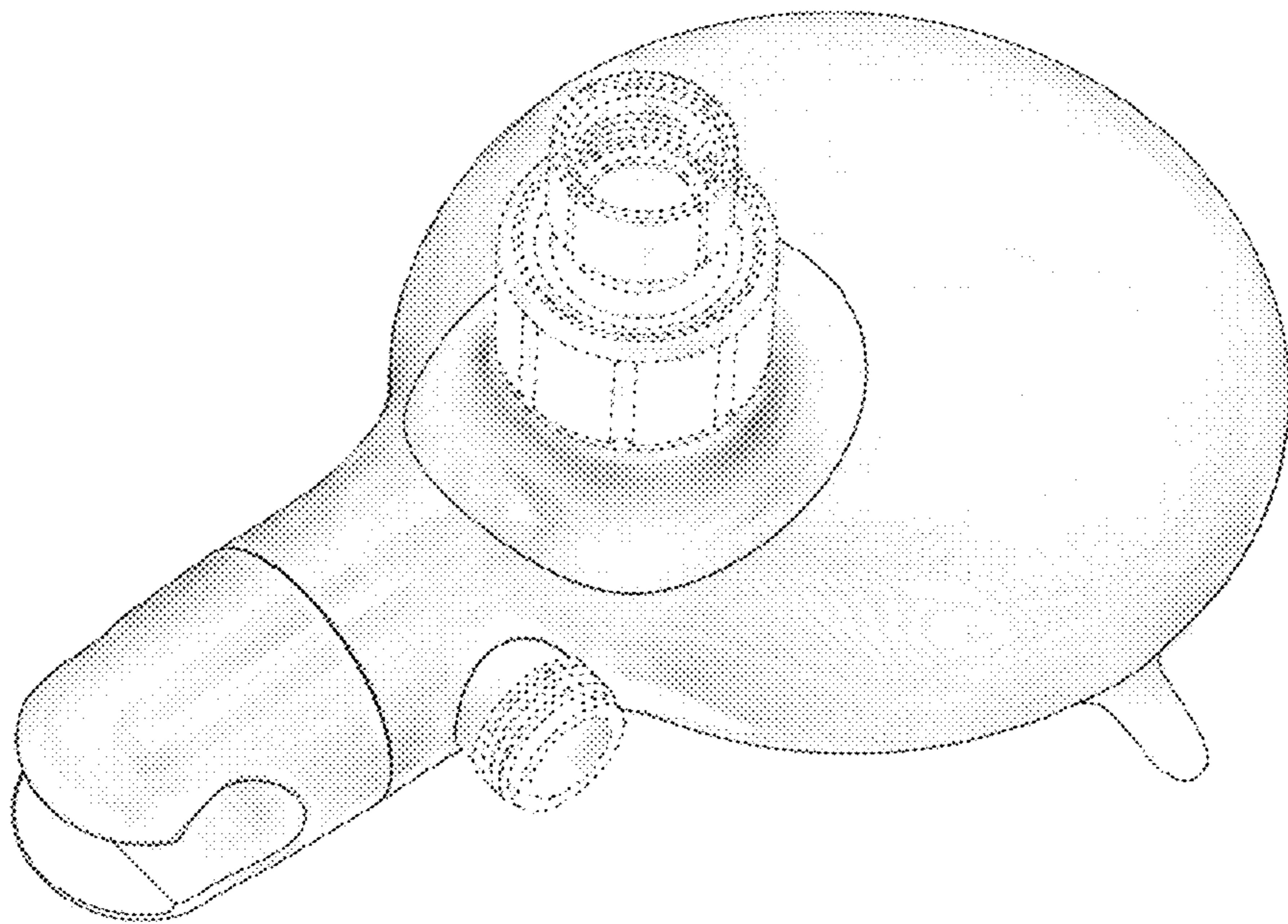


FIG.2

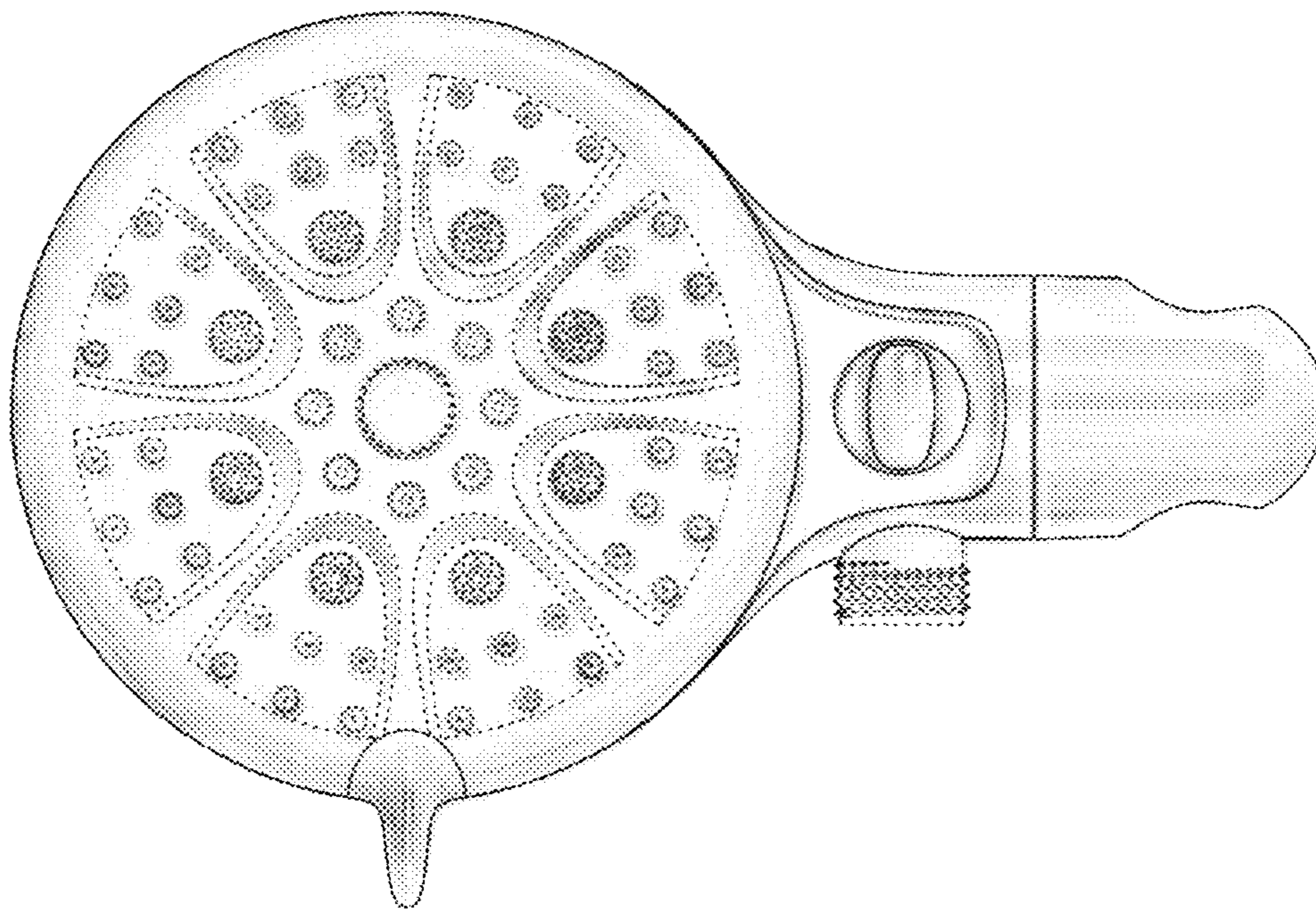


FIG.3

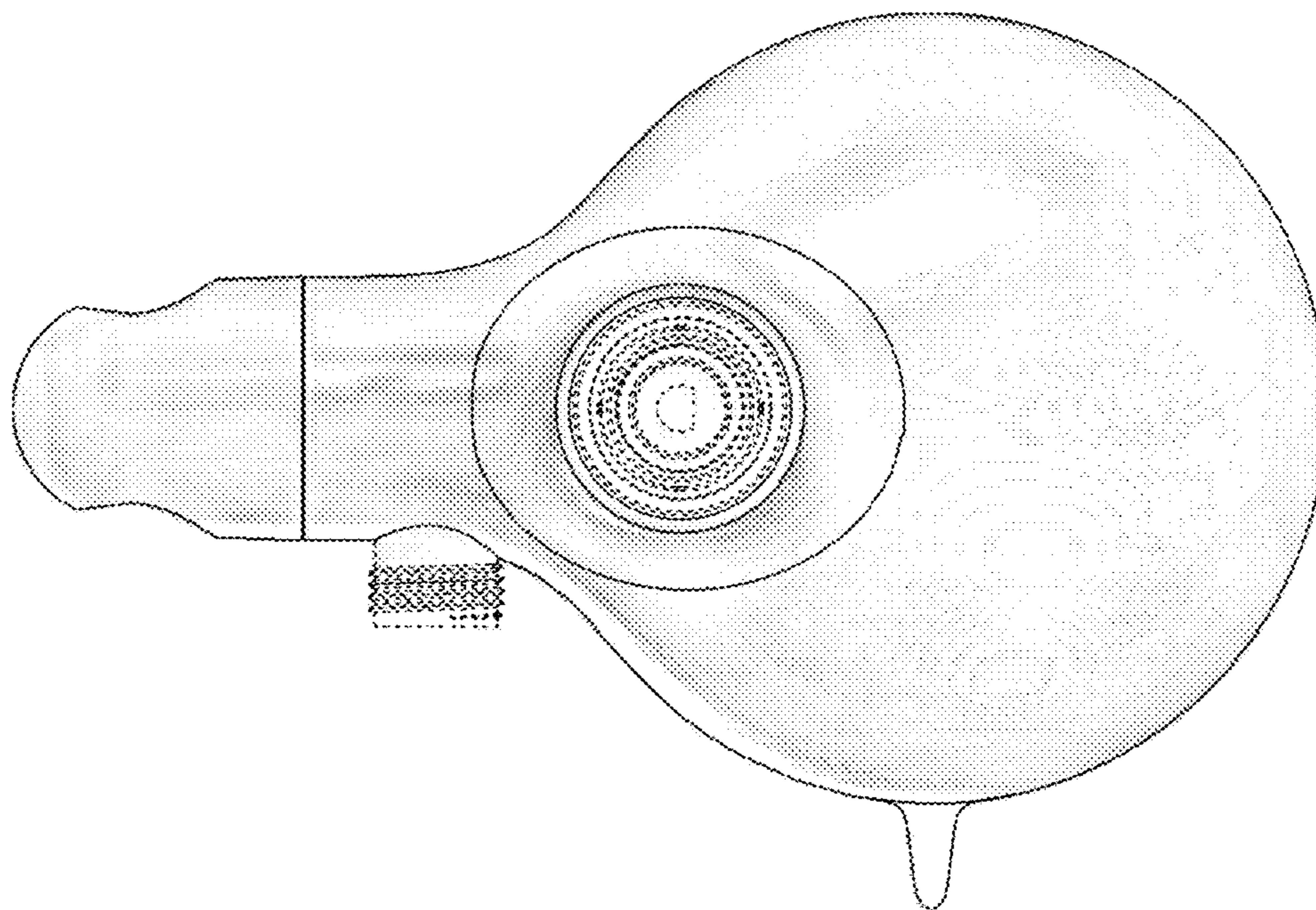


FIG.4

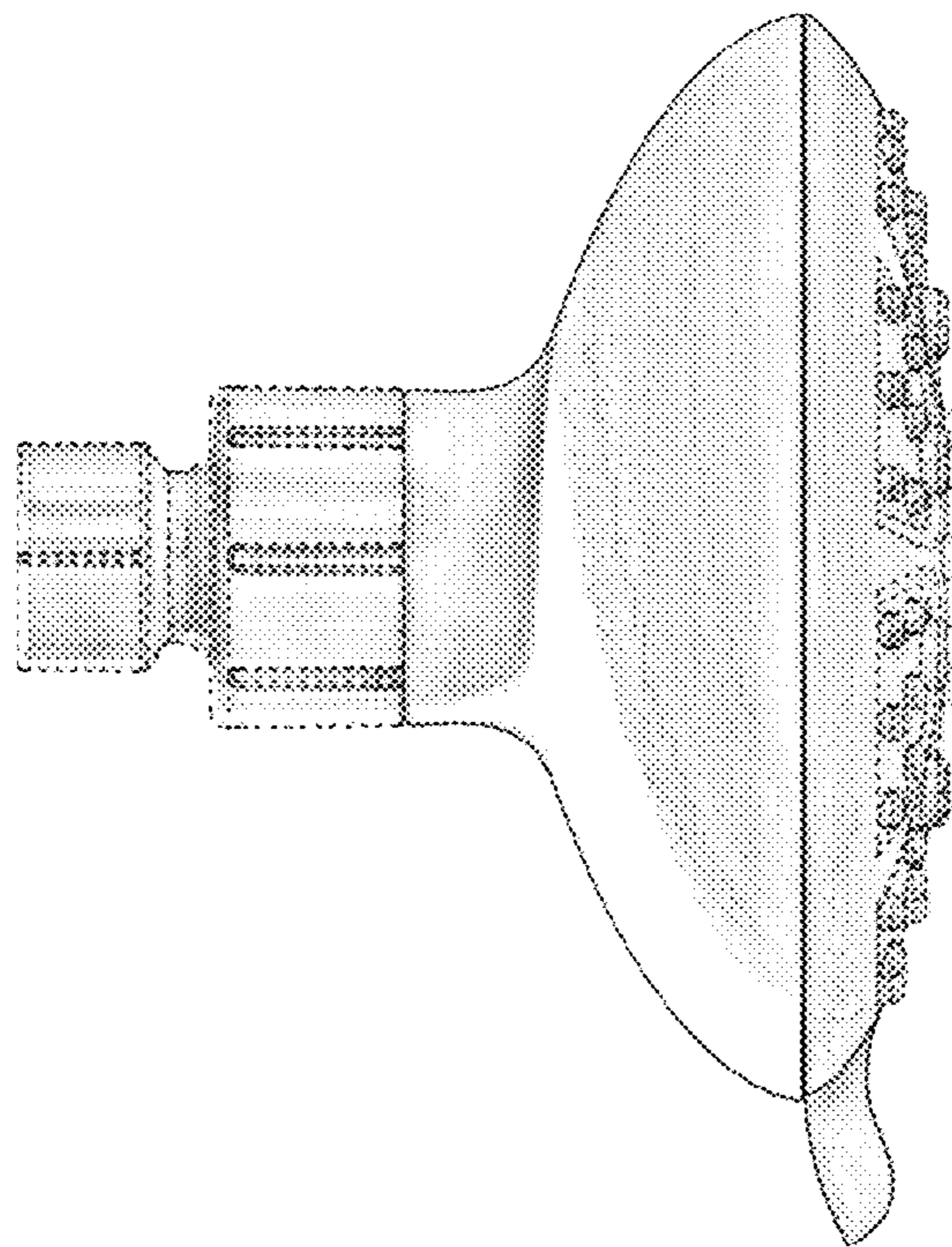


FIG.5

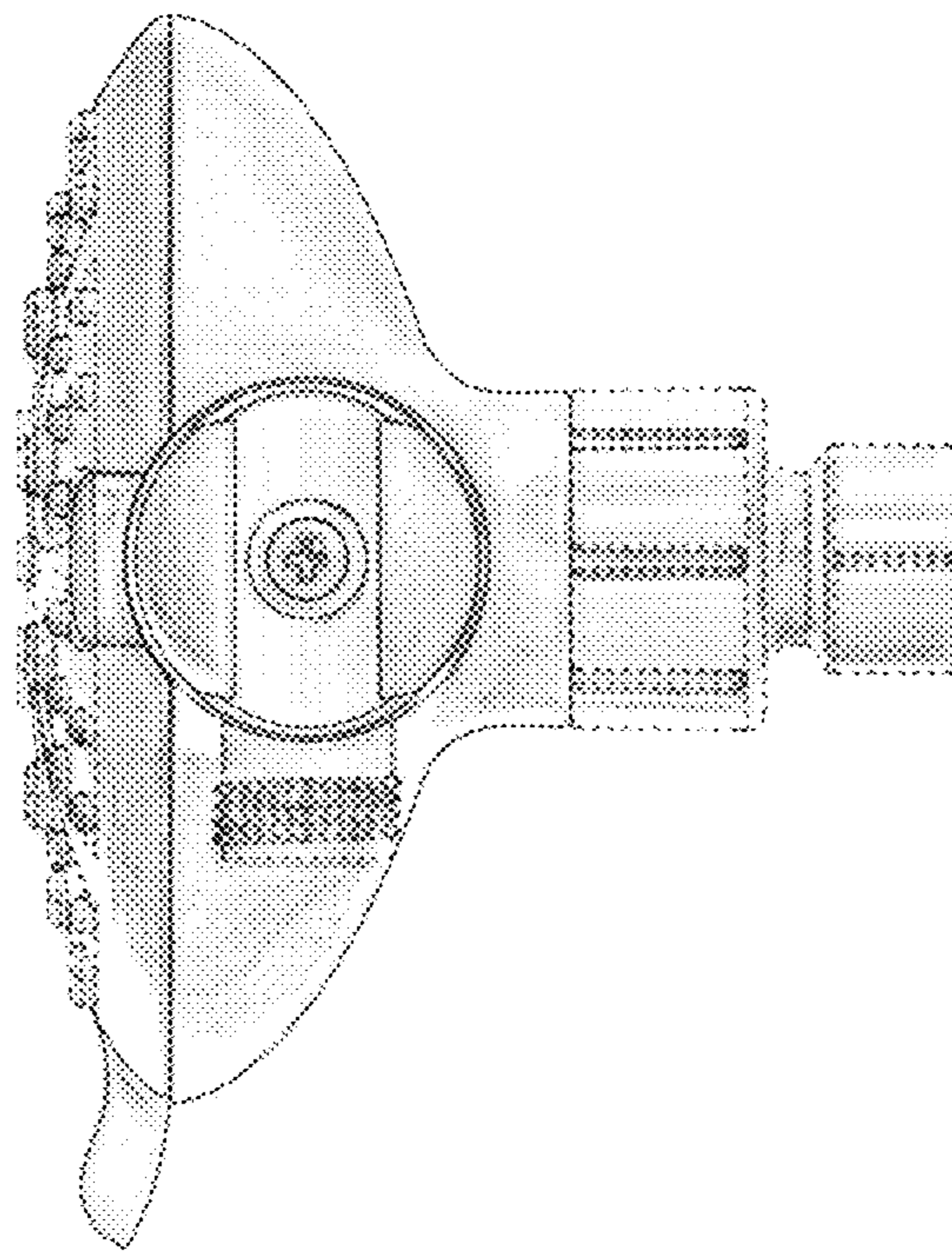


FIG.6

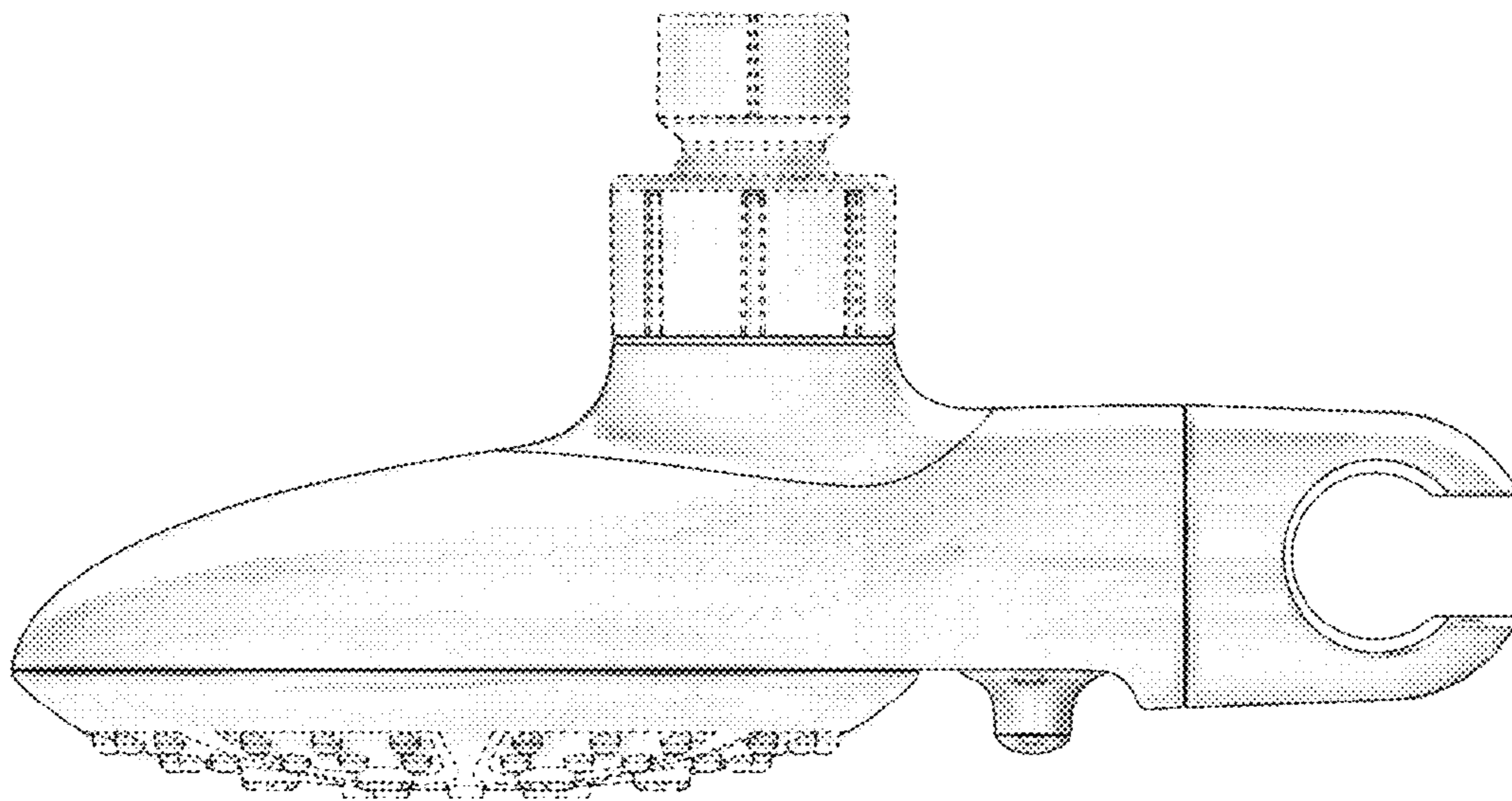


FIG.7

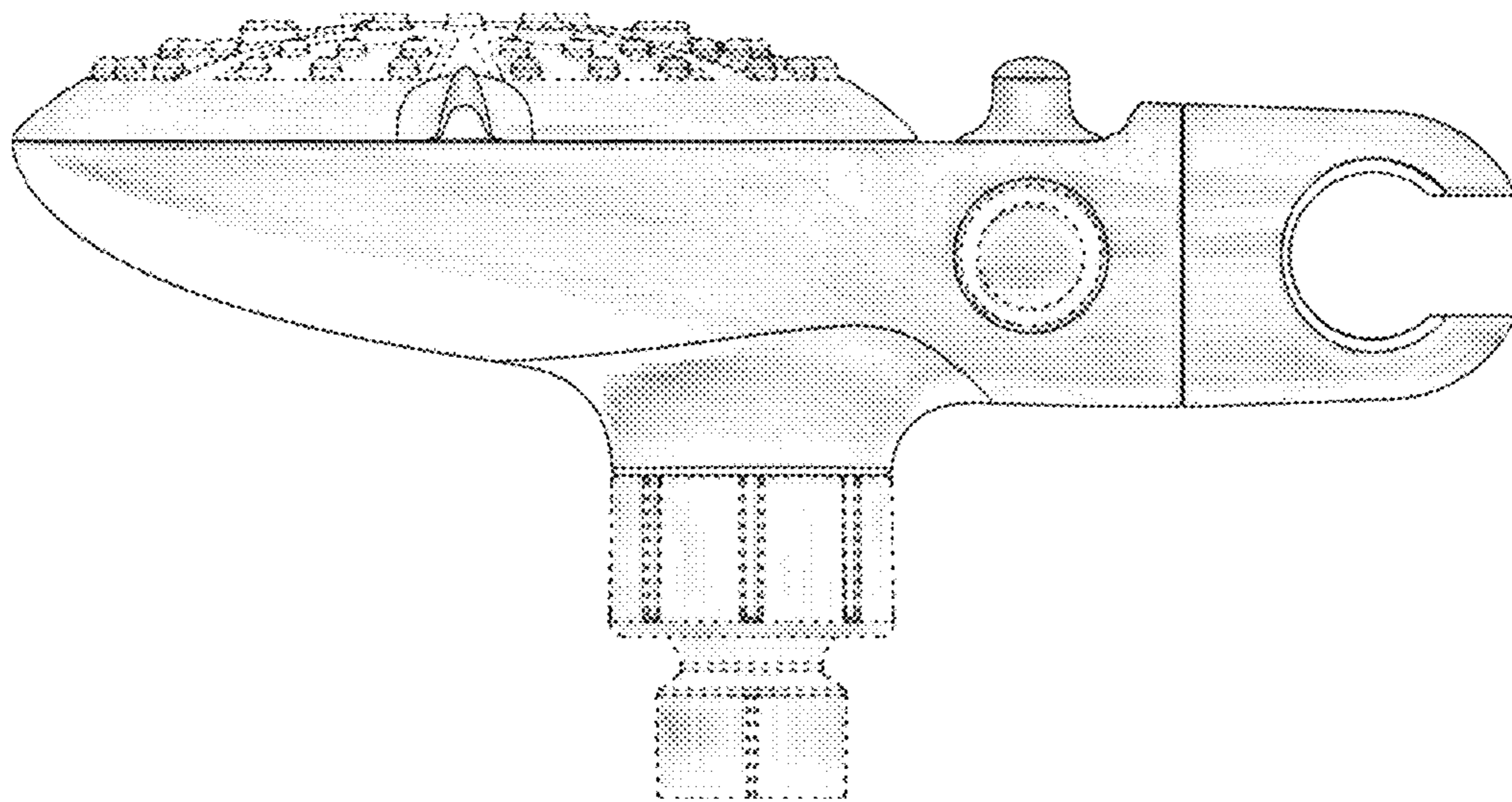


FIG.8