



US00D904560S

(12) **United States Design Patent** (10) **Patent No.:** **US D904,560 S**  
**Coelho et al.** (45) **Date of Patent:** **\*\* Dec. 8, 2020**

(54) **INNER FILTER ELEMENT**  
(71) Applicant: **Master Spas, Inc.**, Fort Wayne, IN (US)  
(72) Inventors: **Nathan Coelho**, Leo, IN (US); **Michael Davenport**, Fort Wayne, IN (US)  
(73) Assignee: **Master Spas, Inc.**, Fort Wayne, IN (US)

D827,086 S \* 8/2018 Bell ..... D23/209  
D854,650 S \* 7/2019 Hellman ..... D23/209  
D880,656 S \* 4/2020 Coelho ..... D23/209  
D881,339 S \* 4/2020 Coelho ..... D23/209  
10,612,258 B2 \* 4/2020 Coelho ..... C02F 1/001  
2004/0124129 A1 \* 7/2004 Booth ..... B01D 29/15  
210/232  
2017/0326482 A1 \* 11/2017 Prchal ..... B01D 35/306  
2018/0112429 A1 \* 4/2018 Coelho ..... B01D 29/58  
2018/0264382 A1 \* 9/2018 Dani ..... B01D 29/96

\* cited by examiner

(\*\*) Term: **15 Years**

*Primary Examiner* — Barbara Fox  
*Assistant Examiner* — J. Thorn, Sr.

(21) Appl. No.: **29/725,920**

(74) *Attorney, Agent, or Firm* — Kaplan Breyer Schwarz, LLP

(22) Filed: **Feb. 27, 2020**

**Related U.S. Application Data**

(62) Division of application No. 29/668,463, filed on Oct. 30, 2018, now Pat. No. Des. 880,656, which is a division of application No. 29/581,857, filed on Oct. 22, 2016, now Pat. No. Des. 835,233.

(57) **CLAIM**

The ornamental design for an inner filter element, as shown and described.

(51) **LOC (12) Cl.** ..... **23-01**

**DESCRIPTION**

(52) **U.S. Cl.**  
USPC ..... **D23/209**

(58) **Field of Classification Search**  
USPC ..... D23/207, 209  
CPC .... B01D 35/30; B01D 35/153; B01D 35/157;  
B01D 27/00; B01D 27/28  
See application file for complete search history.

FIG. 1 is a top front right isometric view of an inner filter element showing the new design;  
FIG. 2 is a bottom rear left isometric view thereof;  
FIG. 3 is a front elevational view thereof;  
FIG. 4 is a rear elevational view thereof;  
FIG. 5 is a left elevational view thereof;  
FIG. 6 is a right elevational view thereof;  
FIG. 7 is a top plan view thereof; and,  
FIG. 8 is a bottom plan view thereof.

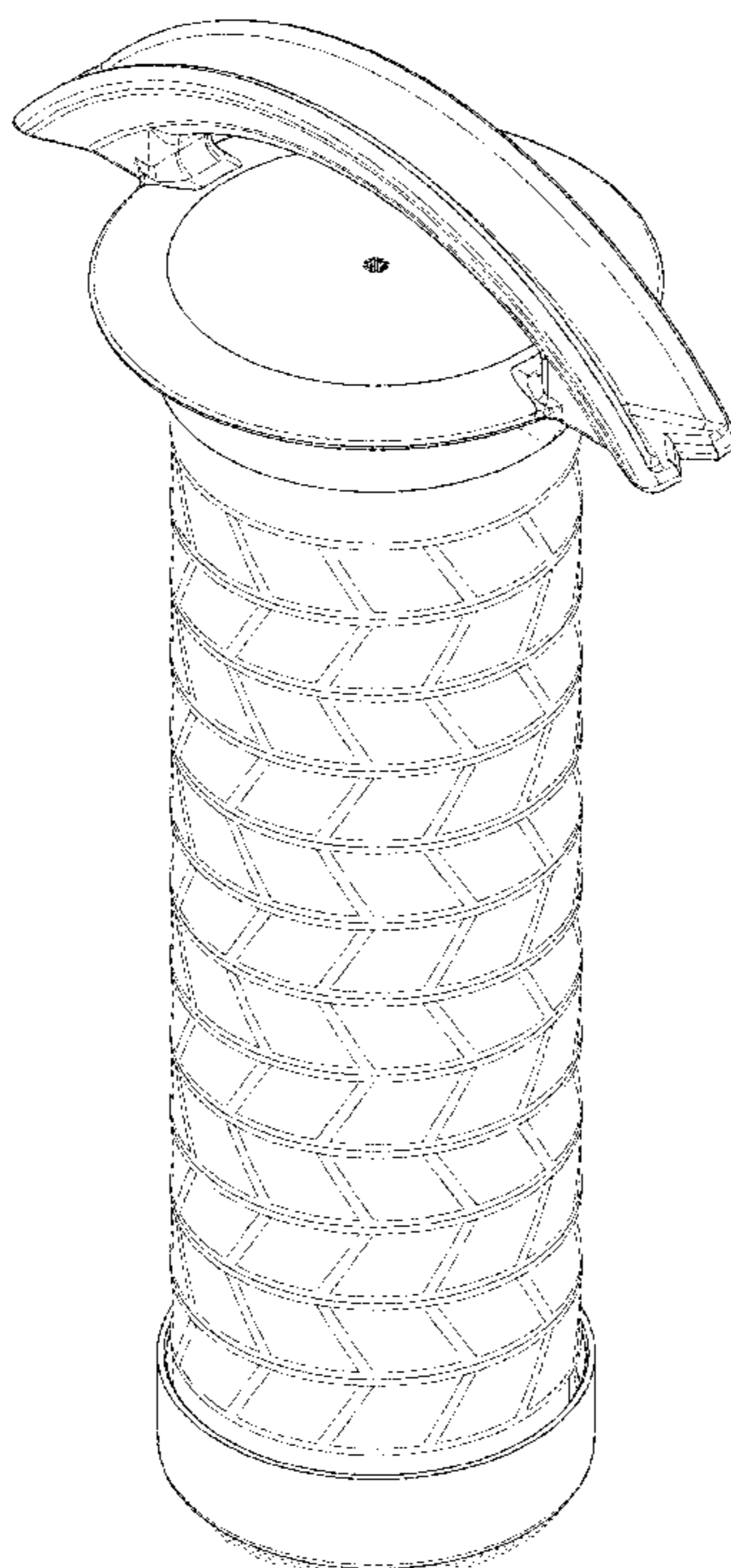
The portions shown in the figures in broken lines do not constitute part of the claimed design.

(56) **References Cited**

**U.S. PATENT DOCUMENTS**

D770,592 S \* 11/2016 Schwartz ..... D23/209  
D825,029 S \* 8/2018 Goldman ..... D23/209

**1 Claim, 7 Drawing Sheets**



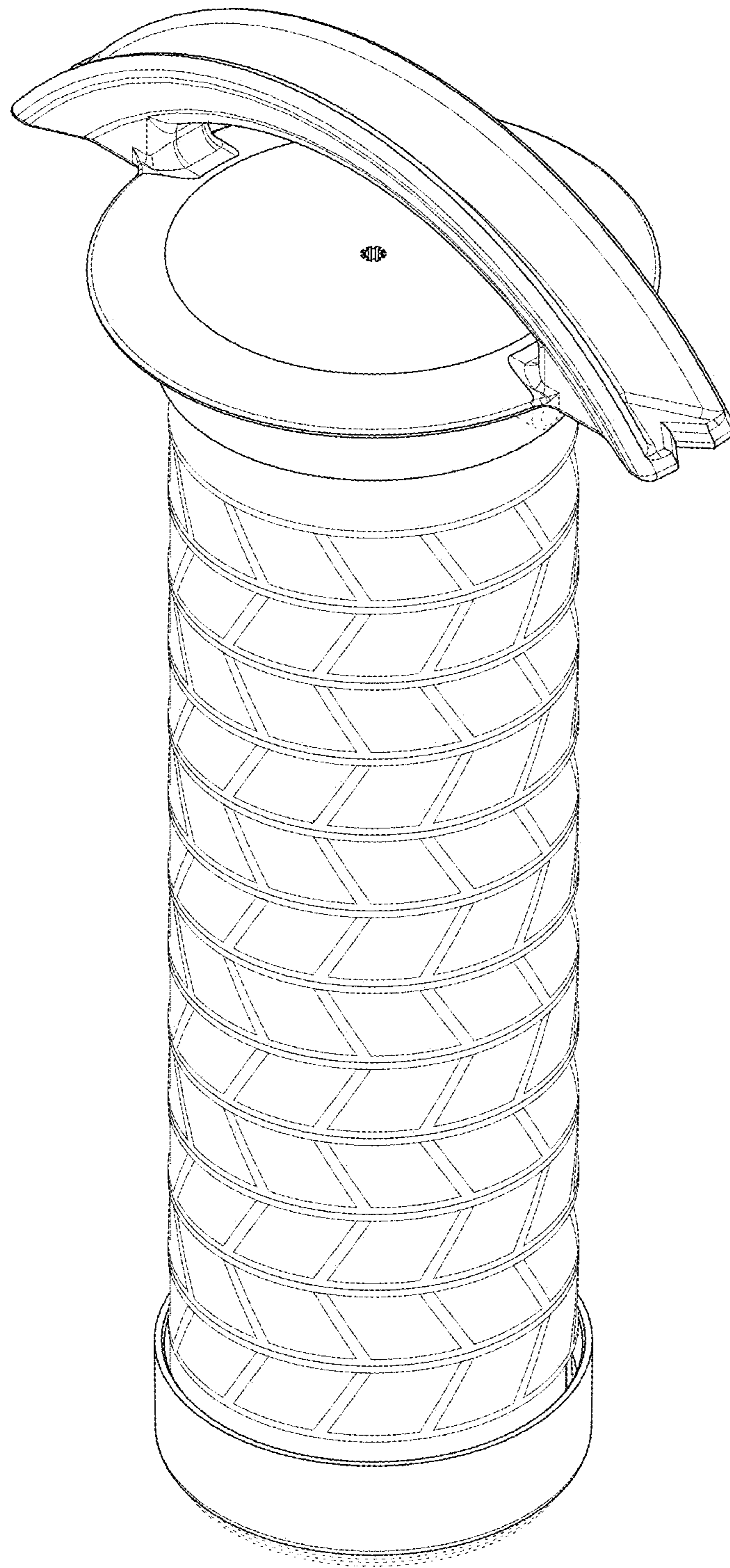


FIG. 1

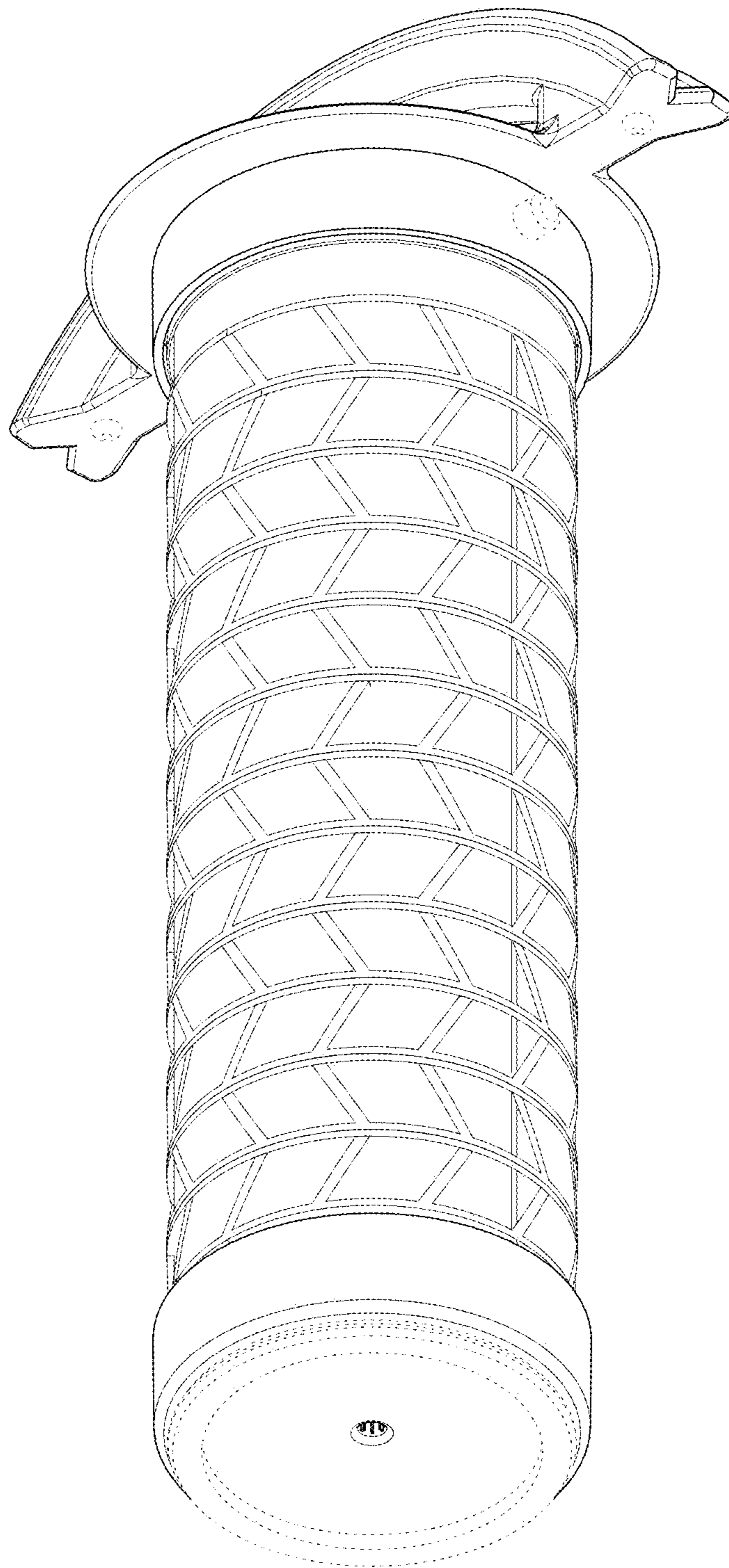


FIG. 2

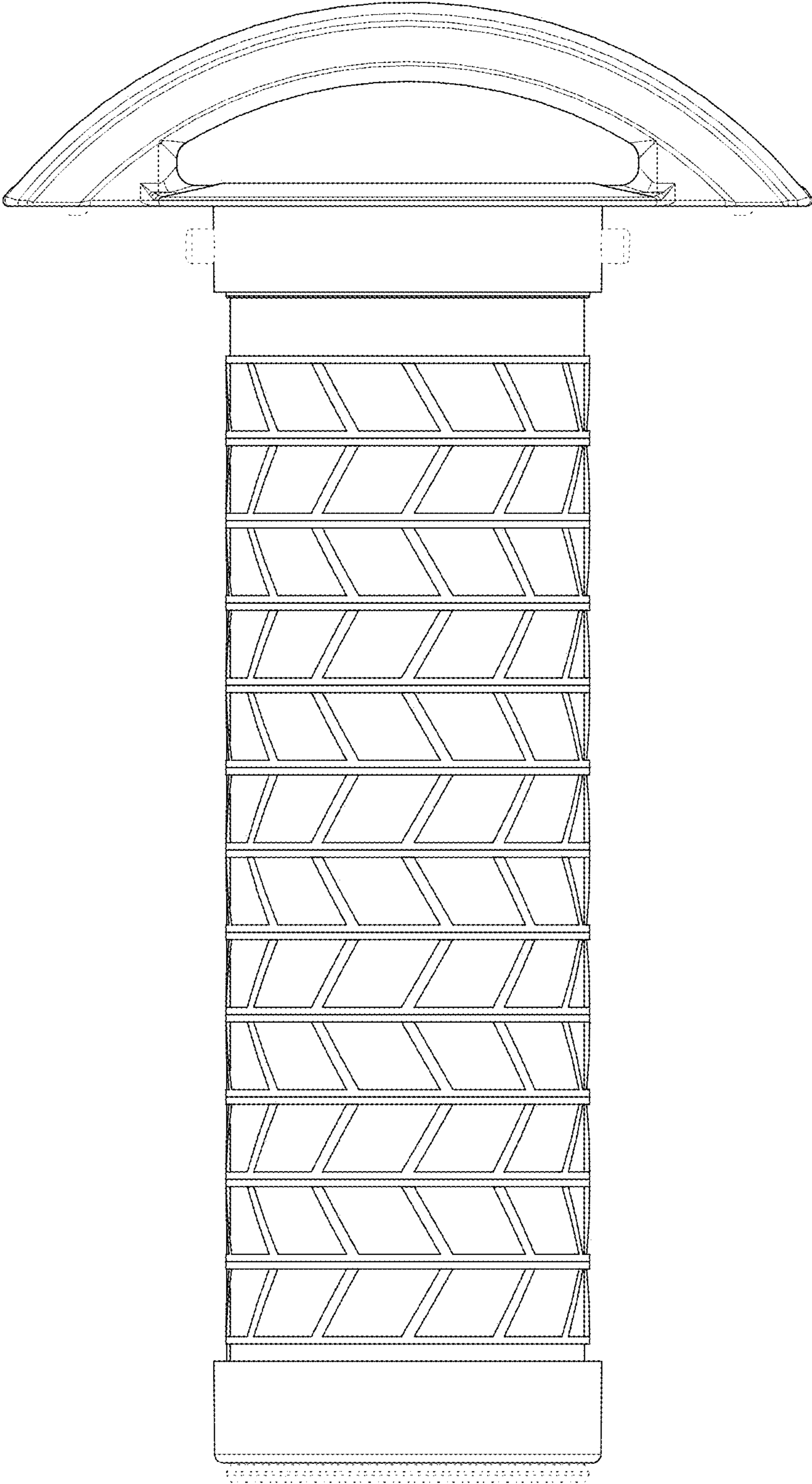


FIG. 3

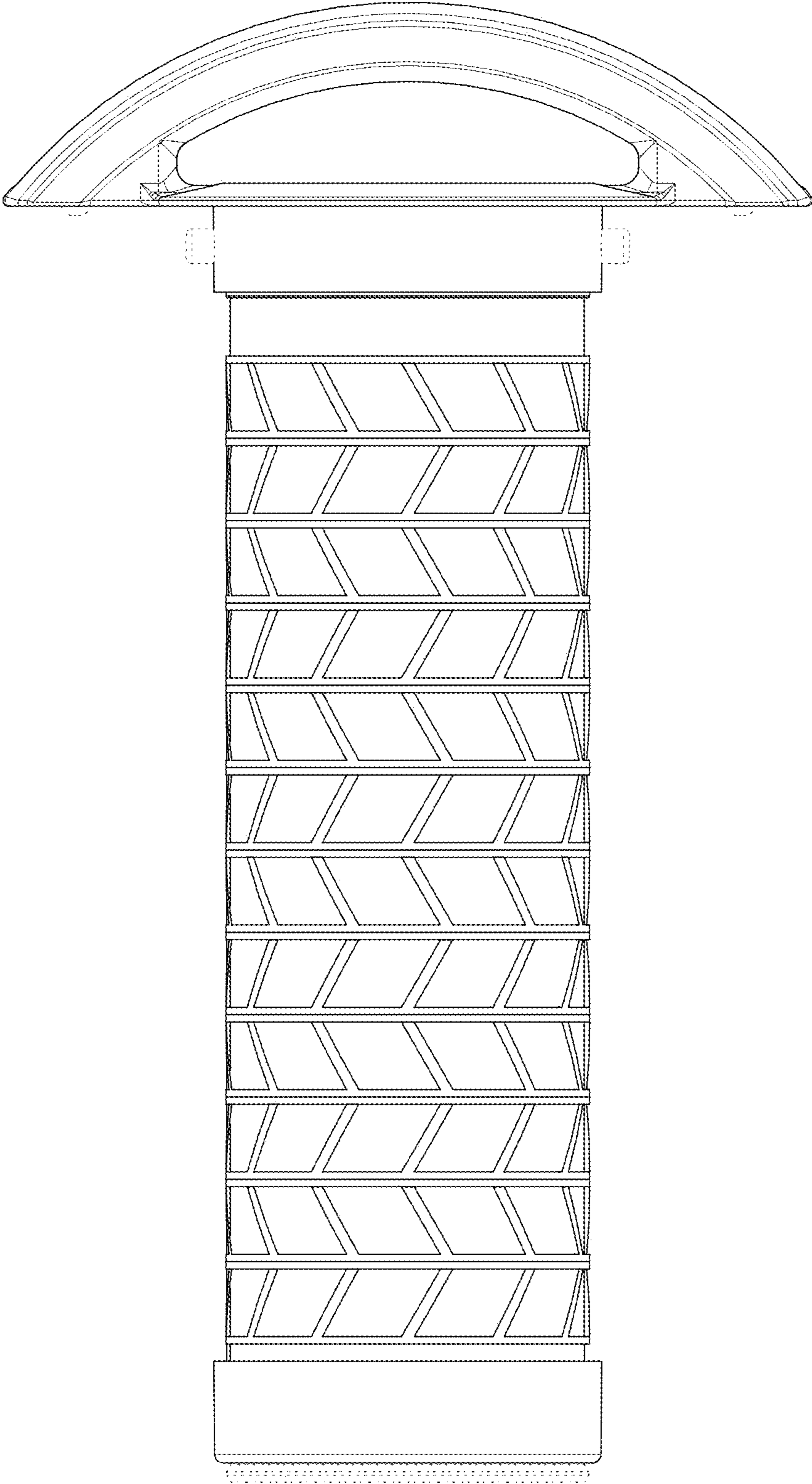


FIG. 4

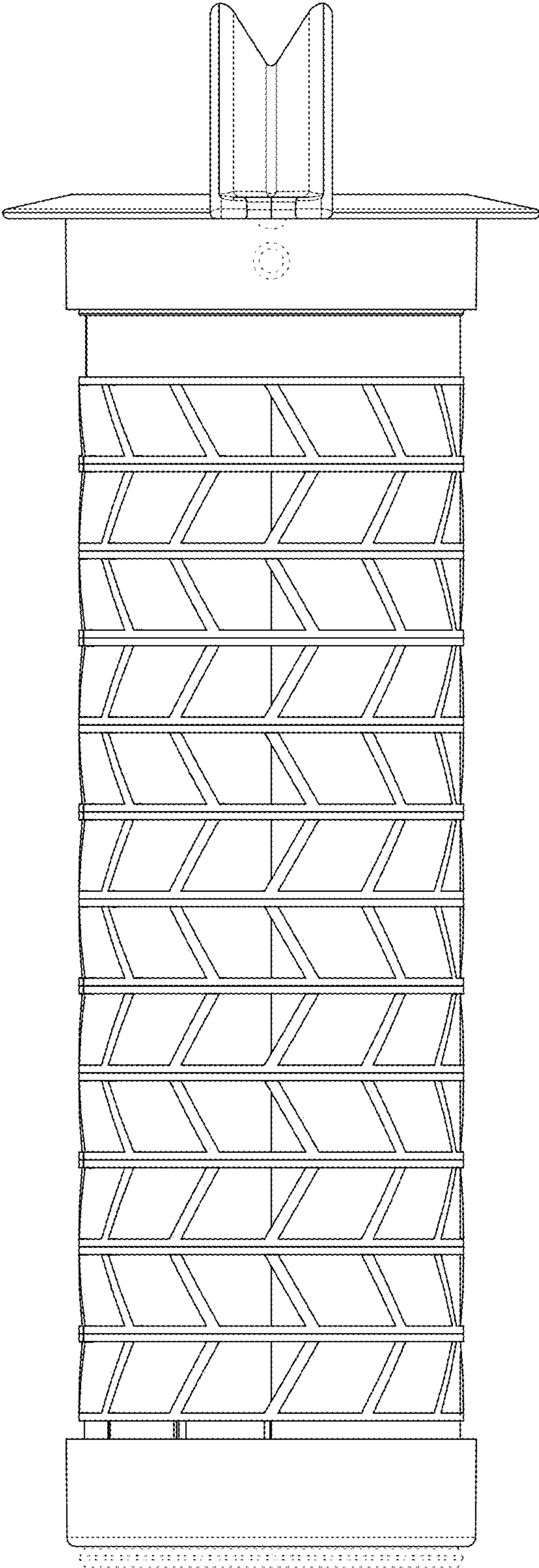


FIG. 5

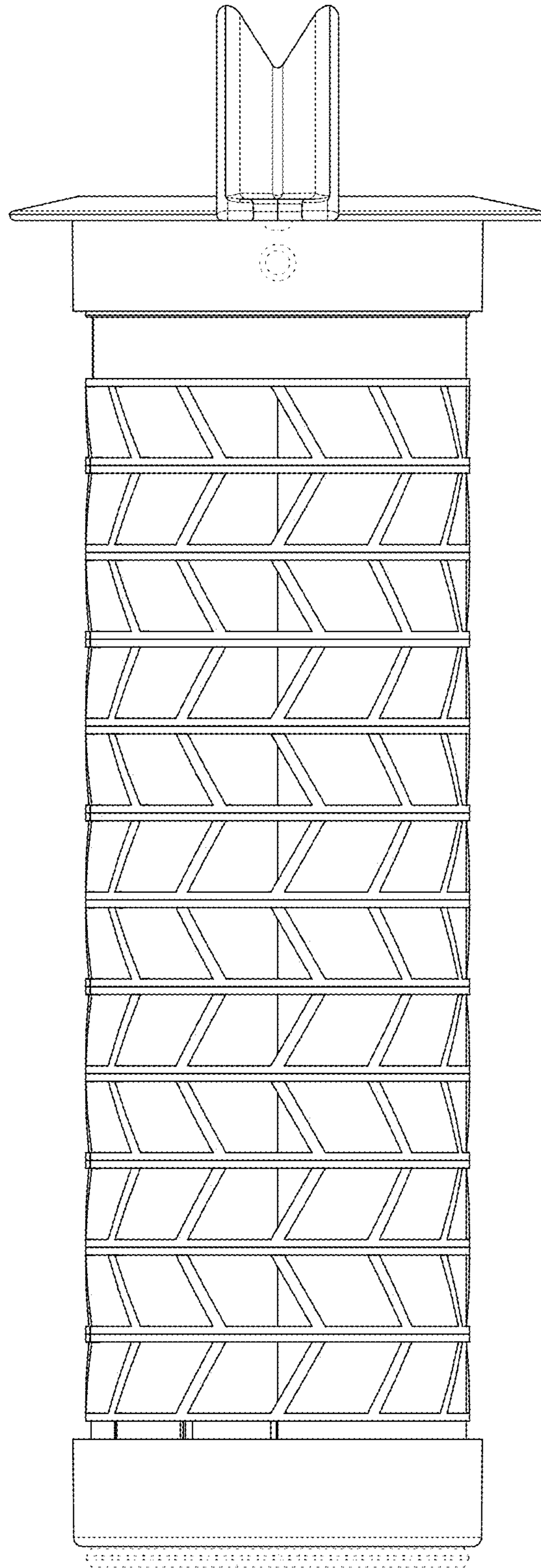


FIG. 6

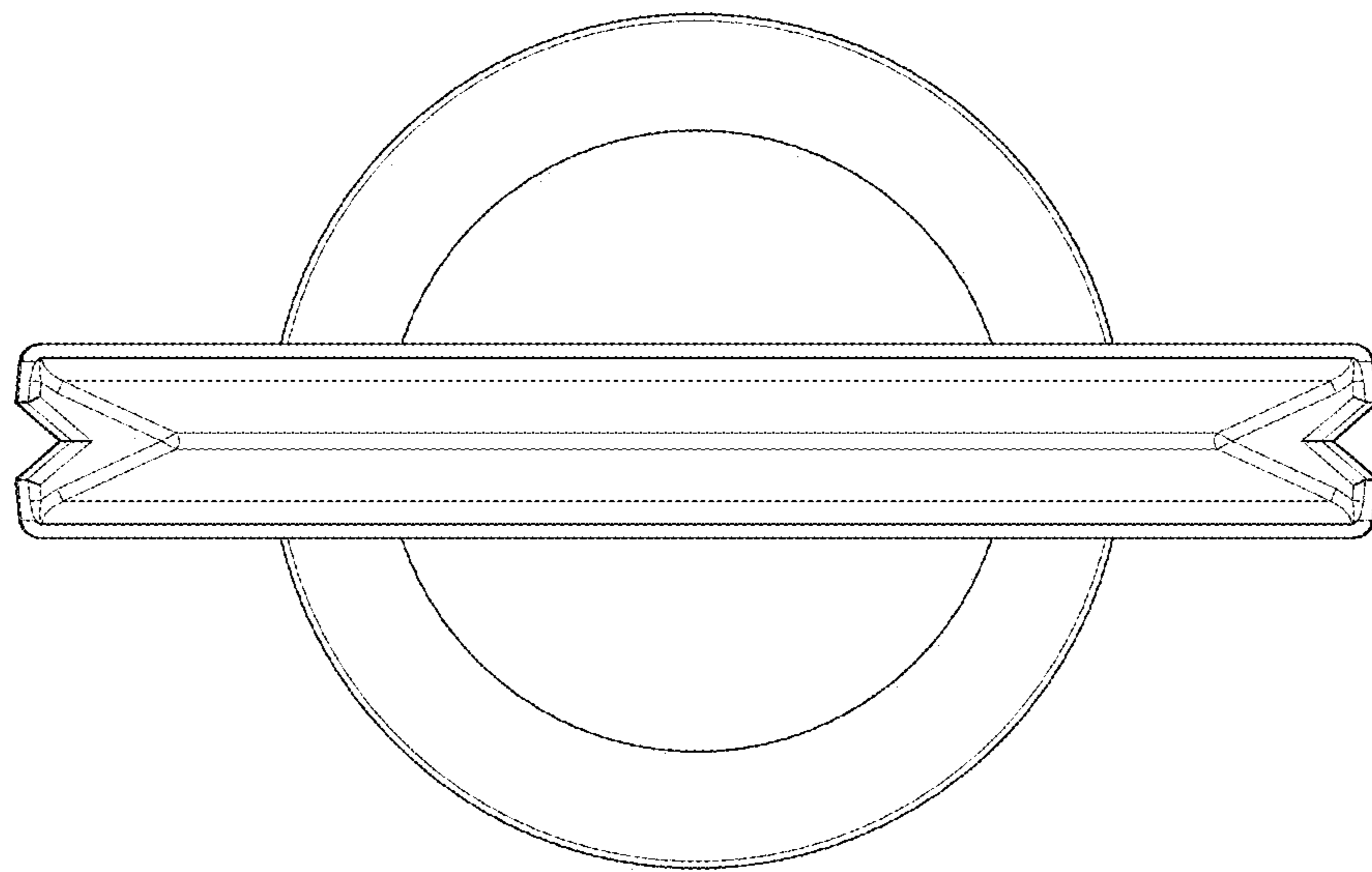


FIG. 7

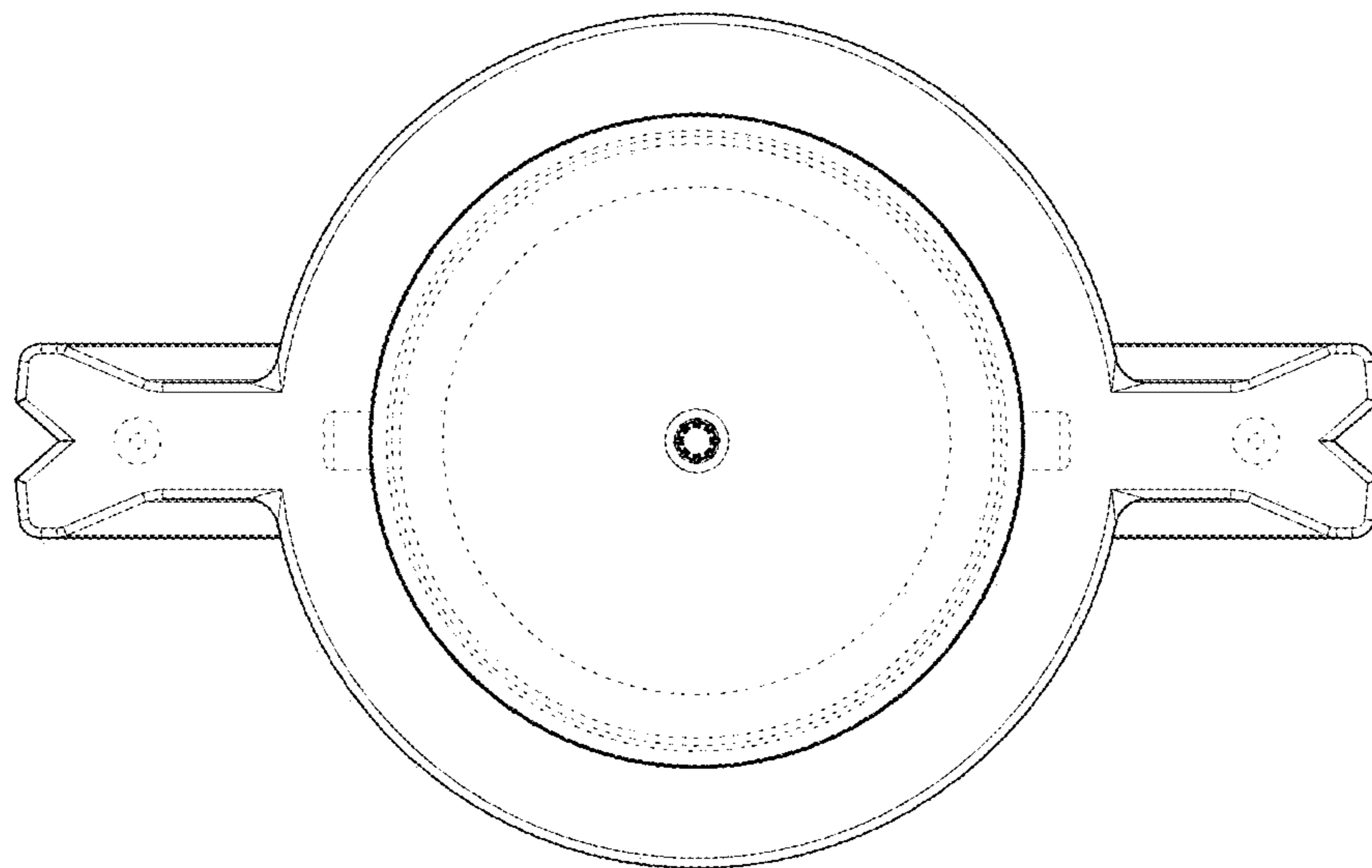


FIG. 8