



US00D904559S

(12) **United States Design Patent**
Moza et al.

(10) **Patent No.:** **US D904,559 S**

(45) **Date of Patent:** **** Dec. 8, 2020**

- (54) **VALVE**
- (71) Applicants: **Vinod Kumar Moza**, Pune (IN); **Rex McCormack**, Tairua (NZ)
- (72) Inventors: **Vinod Kumar Moza**, Pune (IN); **Rex McCormack**, Tairua (NZ)
- (**) Term: **15 Years**
- (21) Appl. No.: **29/678,716**
- (22) Filed: **Jan. 30, 2019**
- (51) **LOC (12) Cl.** **23-01**
- (52) **U.S. Cl.**
USPC **D23/209**
- (58) **Field of Classification Search**
USPC D23/233-237, 241-250, 260, 269, 205,
D23/209, 207; 137/223
CPC B01D 2201/291; B01D 46/2411; B01D
2311/2649; B01D 35/02; B01D 2271/02;
F16K 5/0414
See application file for complete search history.

D555,225 S *	11/2007	McCormack	D23/205
D599,434 S *	9/2009	Stenberg	D23/233
D599,880 S *	9/2009	Rampen	D23/209
D720,045 S *	12/2014	Landi	D23/233
D735,294 S *	7/2015	Reid	D23/209
D764,021 S *	8/2016	Lu	D23/209
D838,817 S *	1/2019	Welch	D23/260

* cited by examiner

Primary Examiner — Gino Colan

(57) **CLAIM**

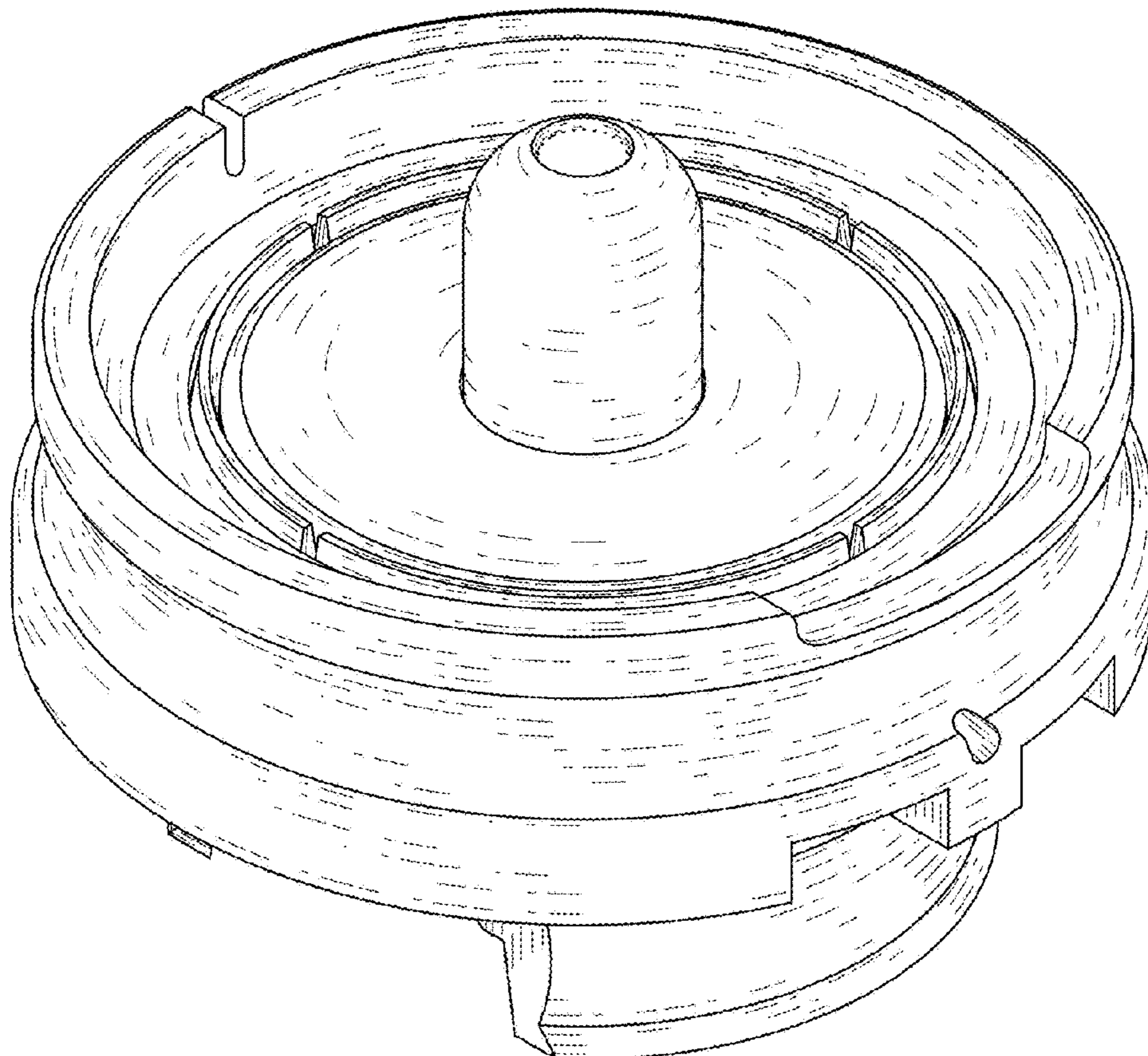
The ornamental design for a valve, as shown and described.

DESCRIPTION

FIG. 1 is a top perspective view of a valve showing our new design;
 FIG. 2 is a front elevational view thereof;
 FIG. 3 is a rear elevational view thereof;
 FIG. 4 is a right side elevational view thereof;
 FIG. 5 is a left side elevational view thereof;
 FIG. 6 is a top plan view thereof;
 FIG. 7 is a bottom plan view thereof; and,
 FIG. 8 is a bottom perspective view thereof.
 The broken lines shown in the figures are for the purpose of illustrating portions of the valve and form no part of the claimed design.

1 Claim, 8 Drawing Sheets

- (56) **References Cited**
U.S. PATENT DOCUMENTS
5,358,001 A * 10/1994 Smith F16K 15/202
137/223
6,439,259 B1 * 8/2002 Beaver B65D 39/084
137/223



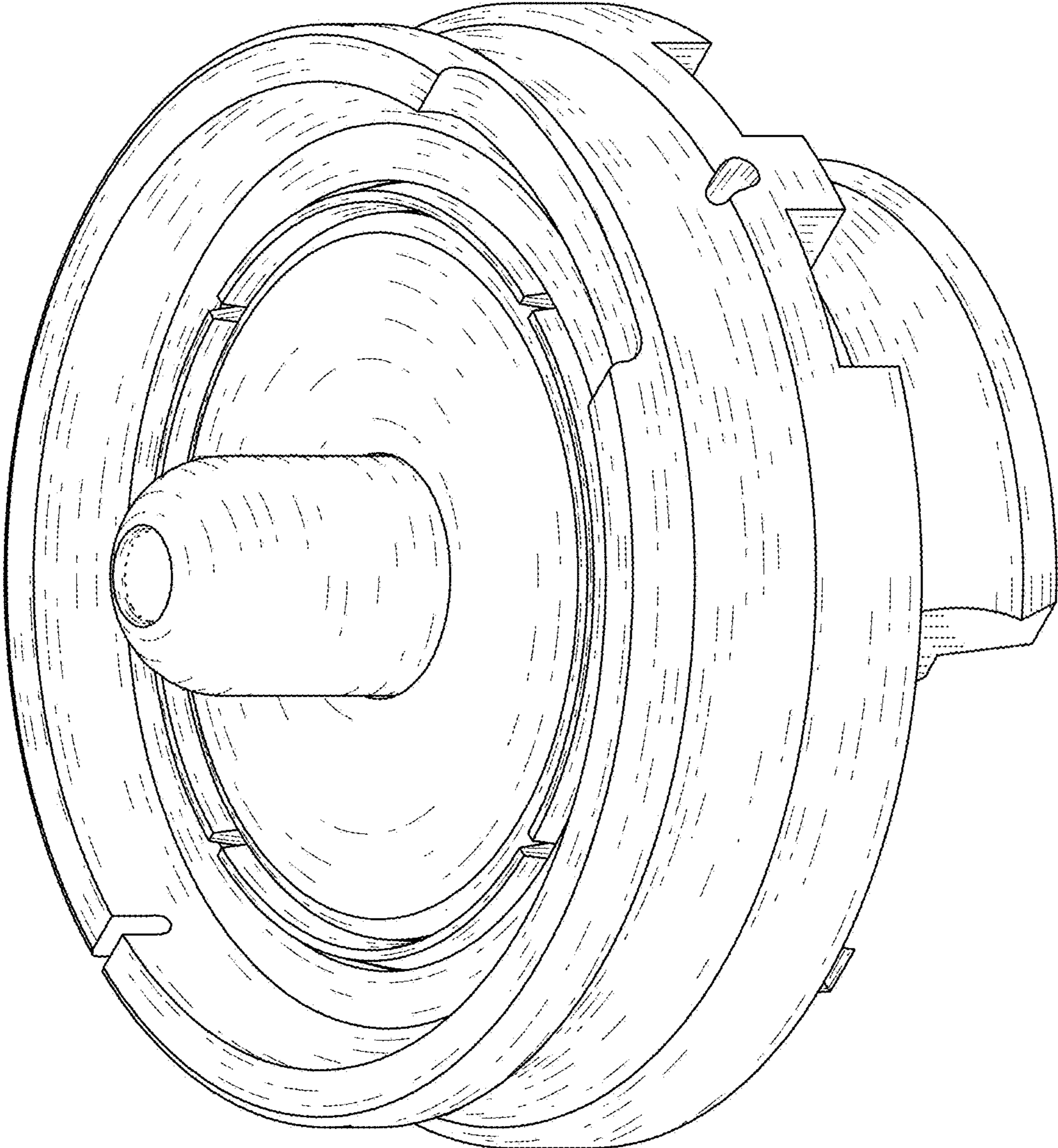


FIG. 1

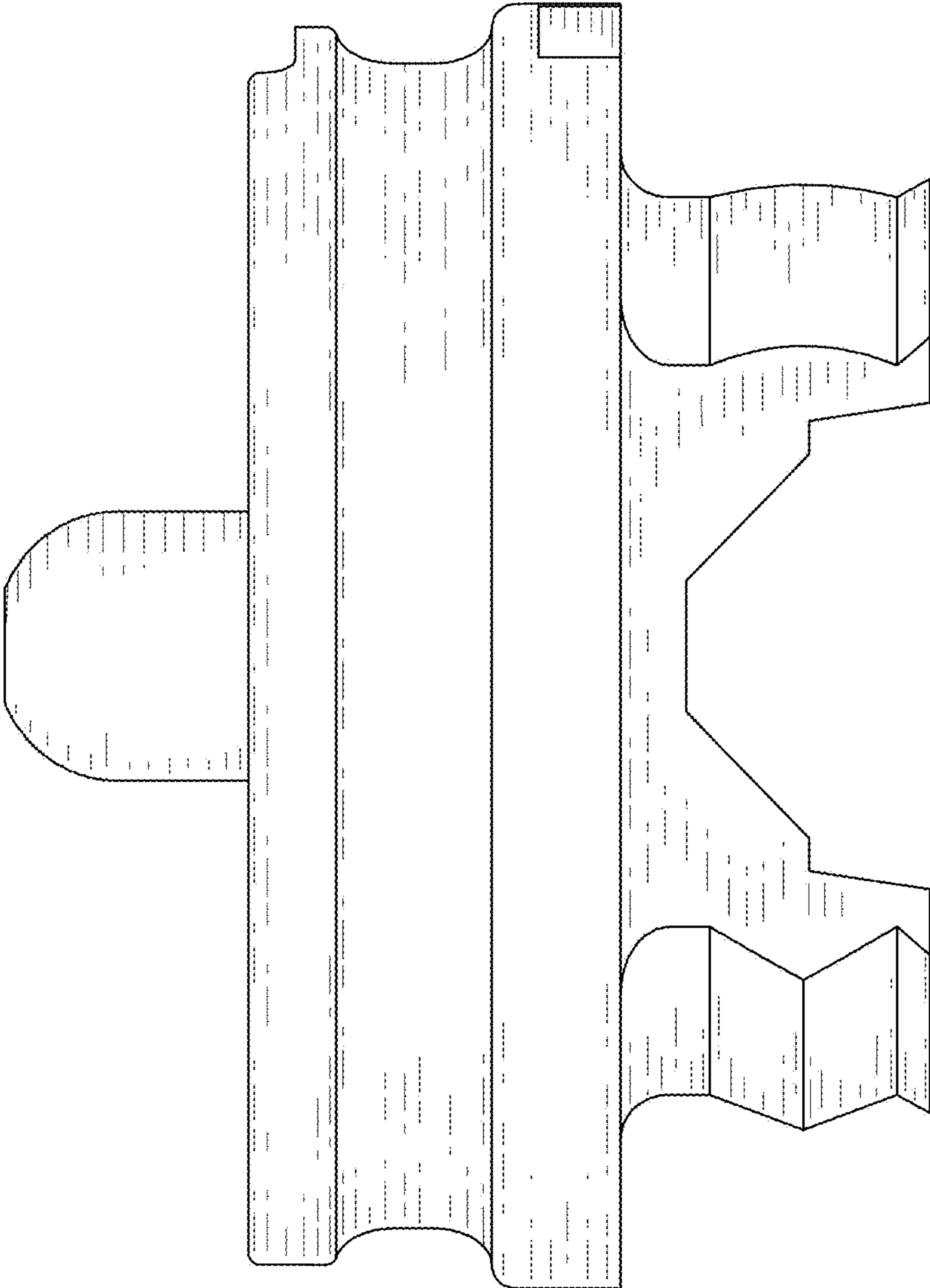


FIG. 2

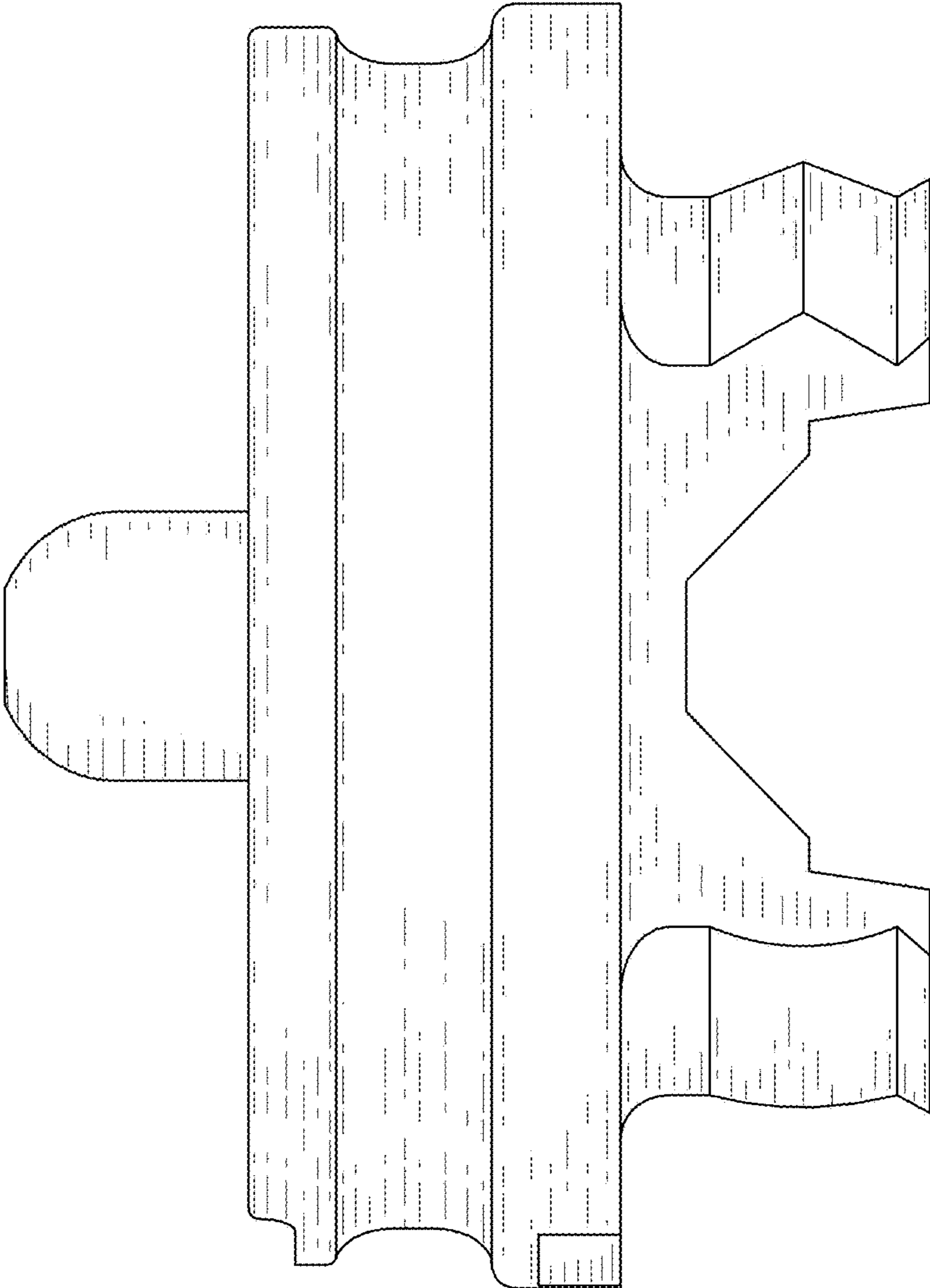


FIG. 3

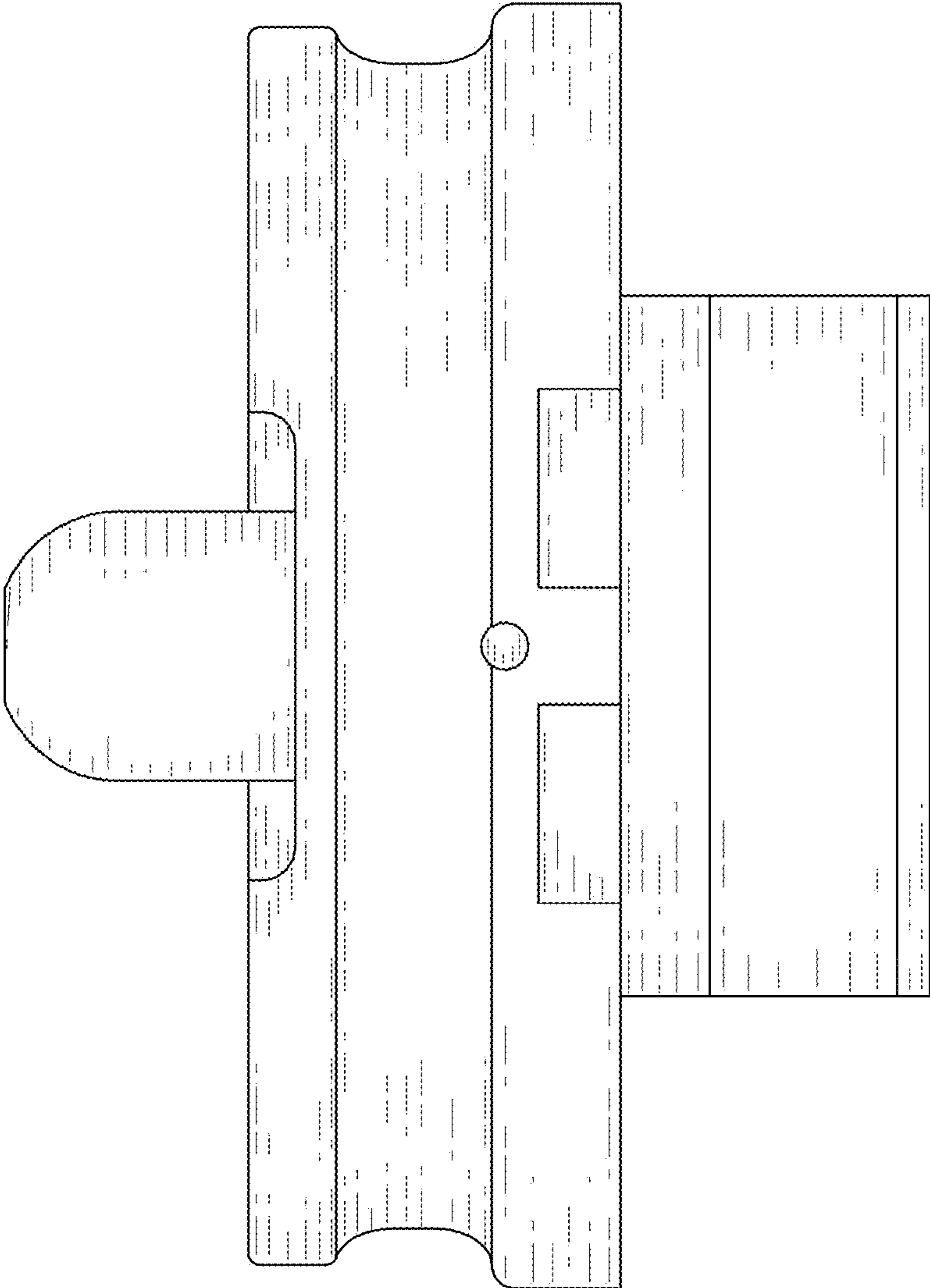


FIG. 4

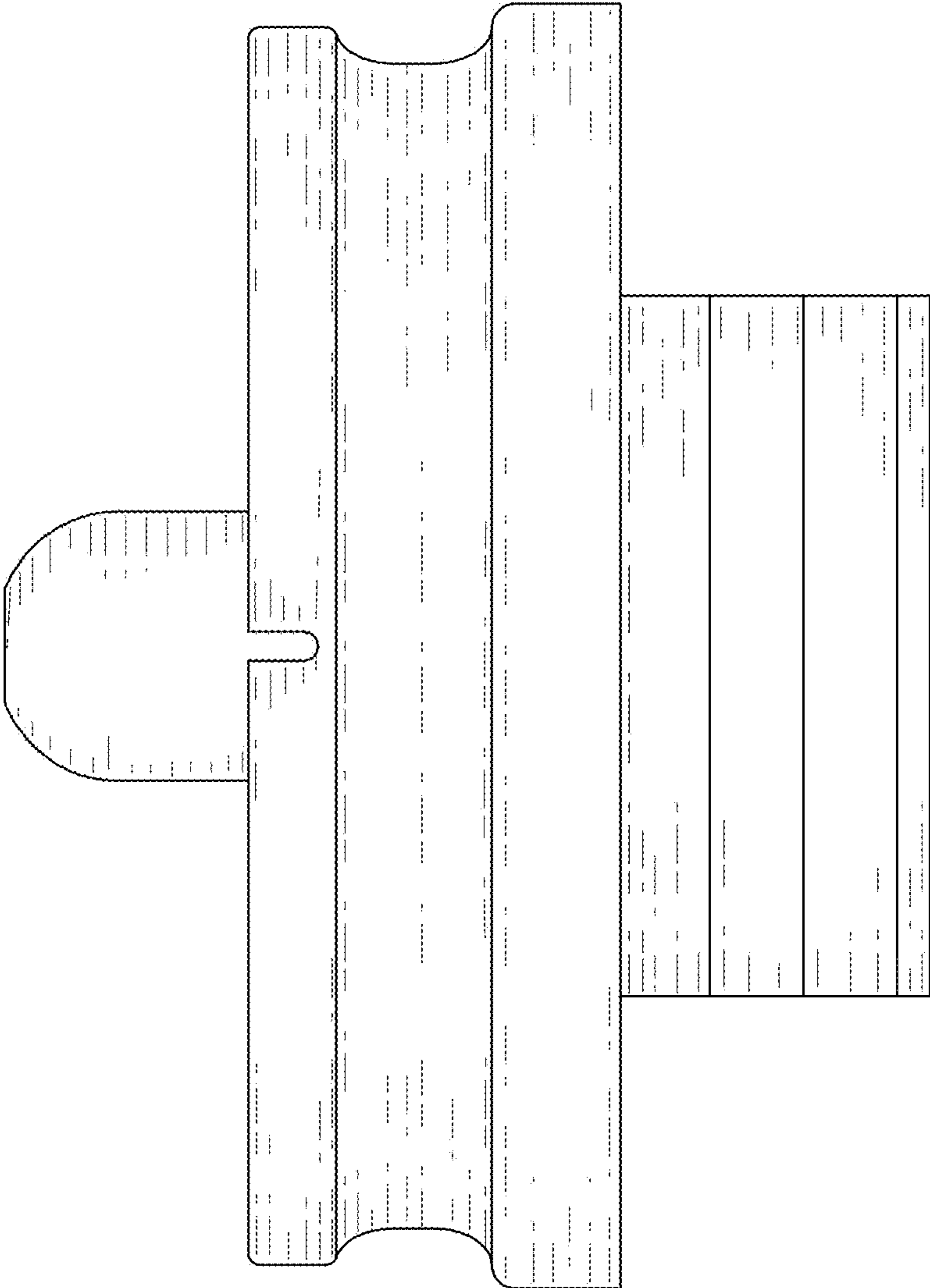


FIG. 5

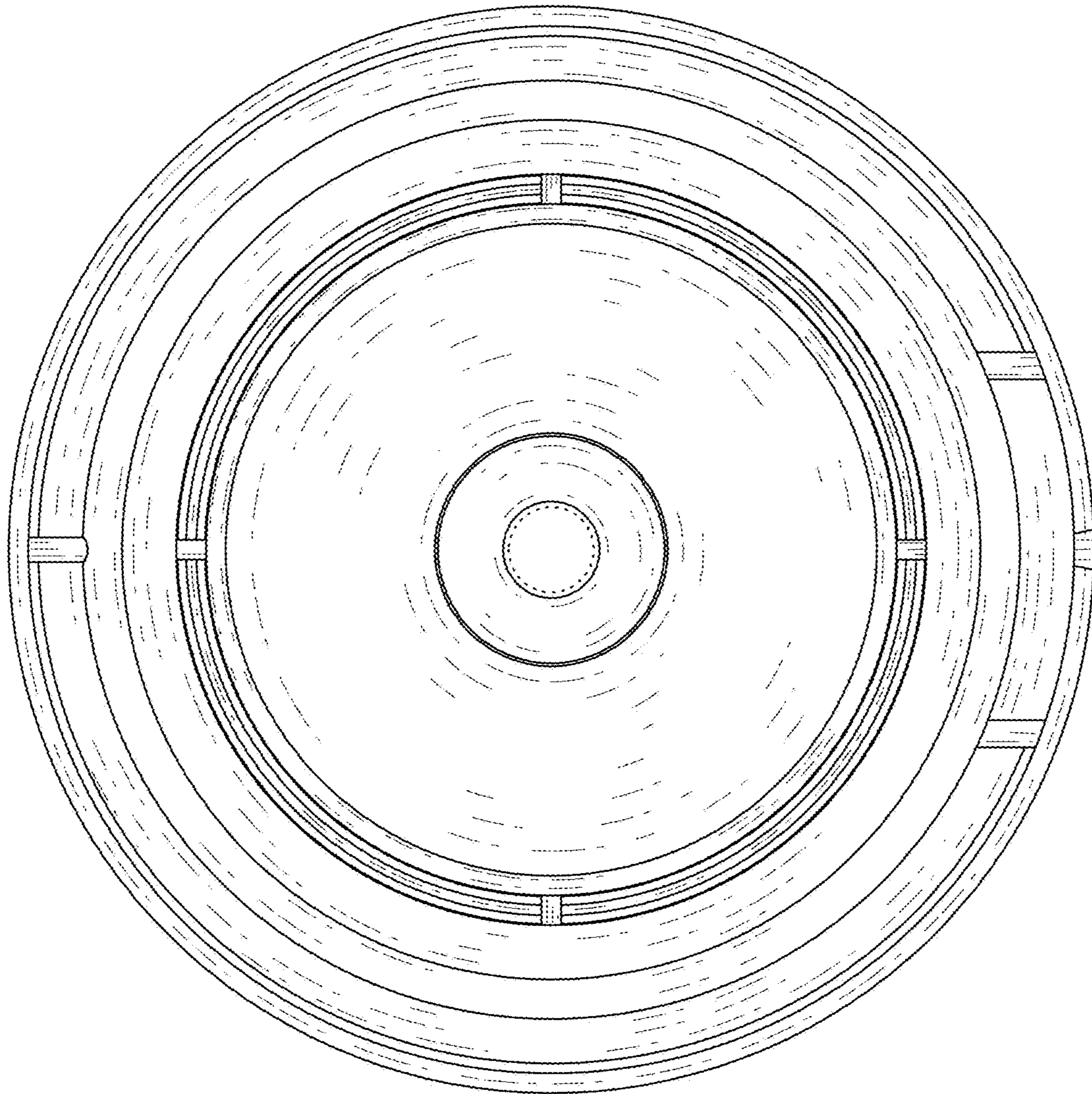


FIG. 6

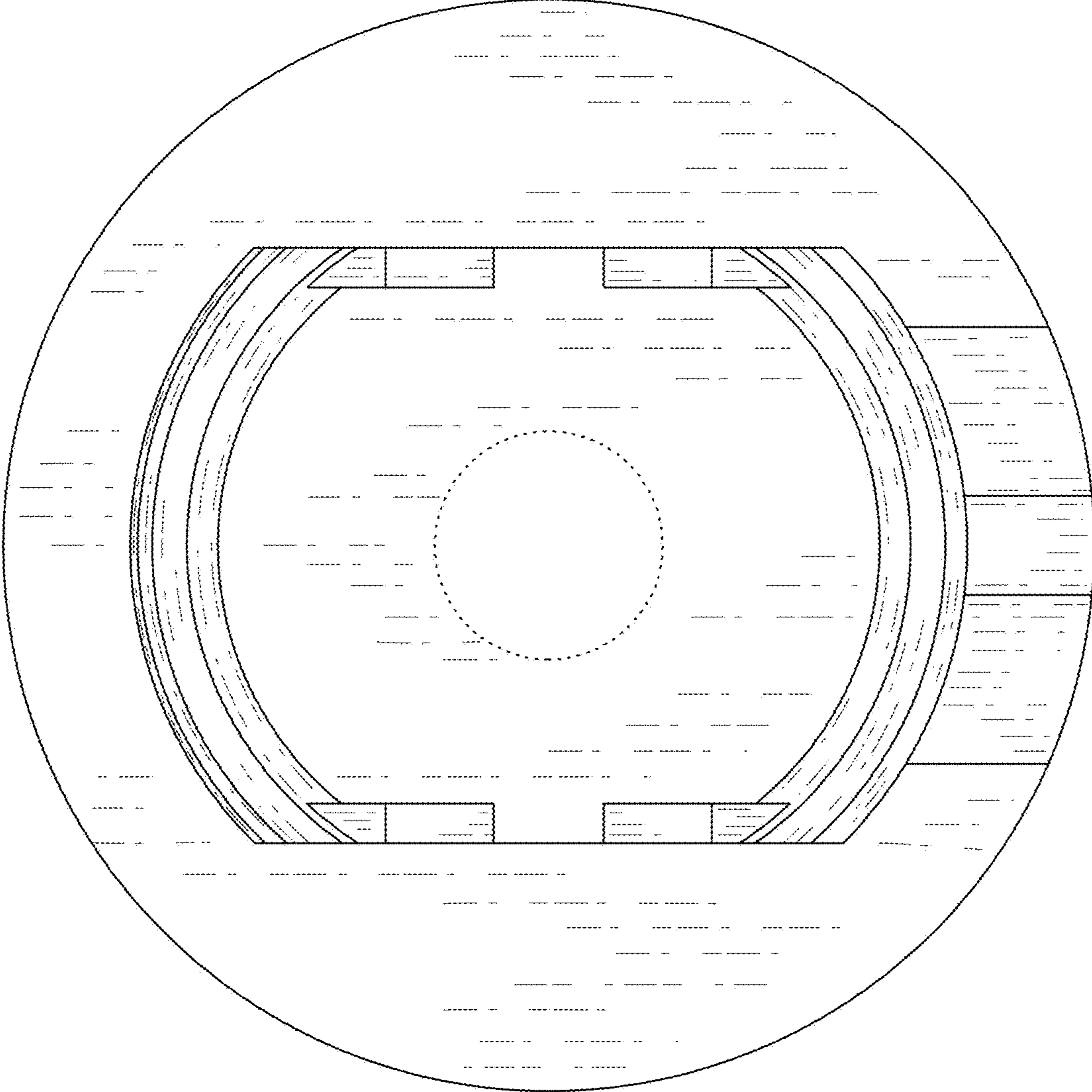


FIG. 7

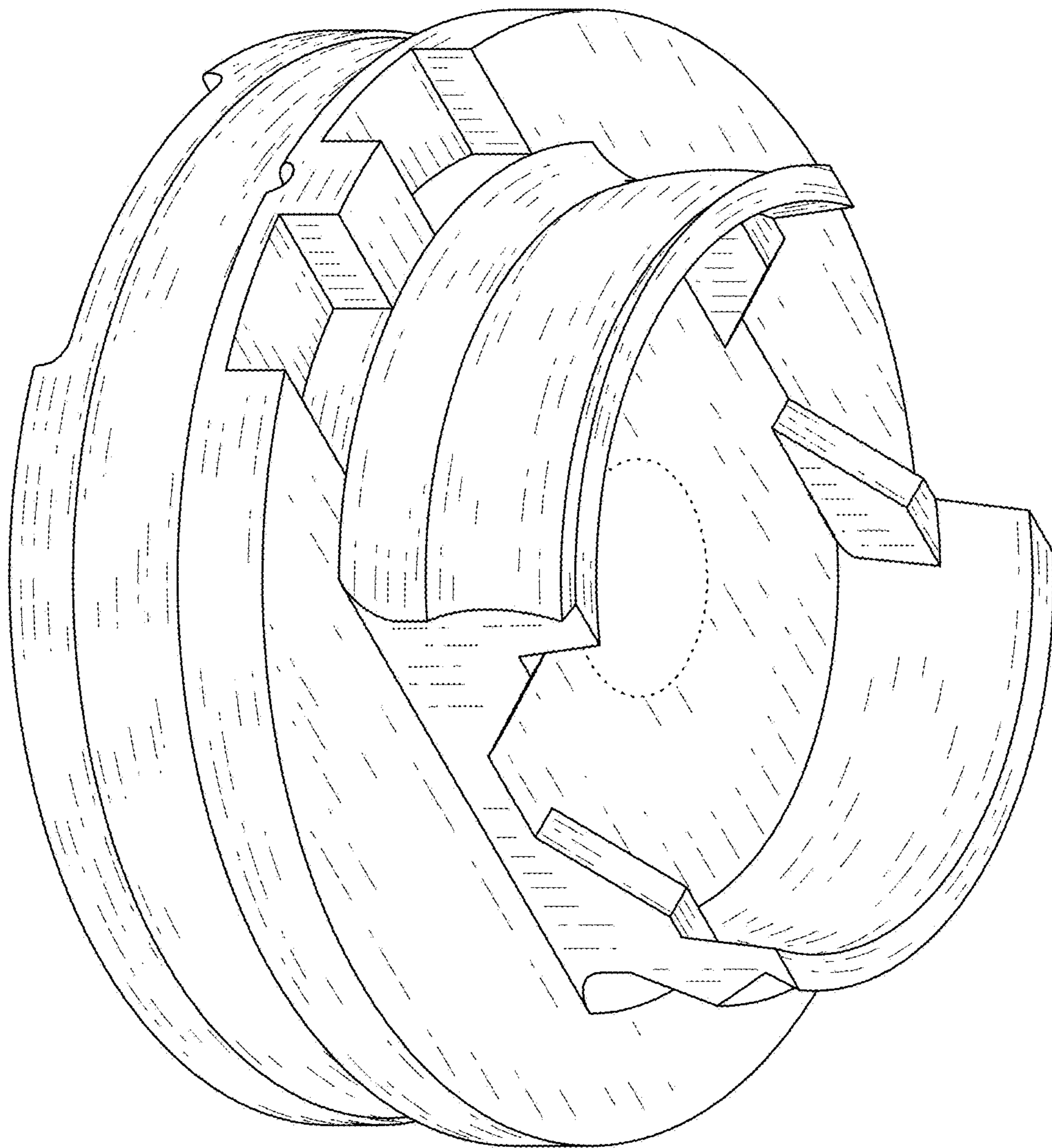


FIG. 8