



US00D904558S

(12) **United States Design Patent**  
**Kapaun**

(10) **Patent No.:** **US D904,558 S**  
(45) **Date of Patent:** **\*\* Dec. 8, 2020**

- (54) **VORTEX FILTER**
- (71) Applicant: **NYOS Aquatics GmbH,**  
Korntal-Muenchingen (DE)
- (72) Inventor: **Matthias Klaus Gustav Kapaun,**  
Stuttgart (DE)
- (73) Assignee: **NYOS Aquatics GmbH,**  
Korntal-Muenchingen (DE)
- (\*\*) Term: **15 Years**
- (21) Appl. No.: **29/665,690**
- (22) Filed: **Oct. 5, 2018**

6,048,456 A \* 4/2000 Palmer ..... B01D 24/001  
210/282  
D438,282 S \* 2/2001 Liu ..... C02F 9/005  
D23/209  
D646,751 S \* 10/2011 Salvador ..... B01D 24/001  
D23/209  
2018/0353967 A1\* 12/2018 Kim ..... B02C 23/10

\* cited by examiner

*Primary Examiner* — Sheryl Lane  
*Assistant Examiner* — Calvin E Vansant  
(74) *Attorney, Agent, or Firm* — Muncy, Geissler, Olds & Lowe, P.C.

(30) **Foreign Application Priority Data**

Apr. 5, 2018 (EM) ..... 005258548-0001  
Apr. 5, 2018 (EM) ..... 005258548-0002

- (51) **LOC (12) Cl.** ..... **23-01**
- (52) **U.S. Cl.**  
USPC ..... **D23/209**

- (58) **Field of Classification Search**  
USPC ..... D23/202, 205, 207, 209, 210, 259, 260,  
D23/262, 365  
CPC ..... B01D 2201/29; B01D 2201/30; B01D  
2201/301; B01D 2201/302; B01D  
2201/306; B01D 2201/309; B01D 35/30;  
C02F 1/002; C02F 1/003  
See application file for complete search history.

(56) **References Cited**

**U.S. PATENT DOCUMENTS**

- 3,342,340 A \* 9/1967 Shindell ..... C02F 9/005  
210/282
- 4,368,123 A \* 1/1983 Stanley ..... C02F 1/003  
210/269
- D275,310 S \* 8/1984 Stanley ..... D23/209
- D289,317 S \* 4/1987 Mezey ..... B02C 23/10  
D23/209
- D396,088 S \* 7/1998 Hsu ..... D23/209

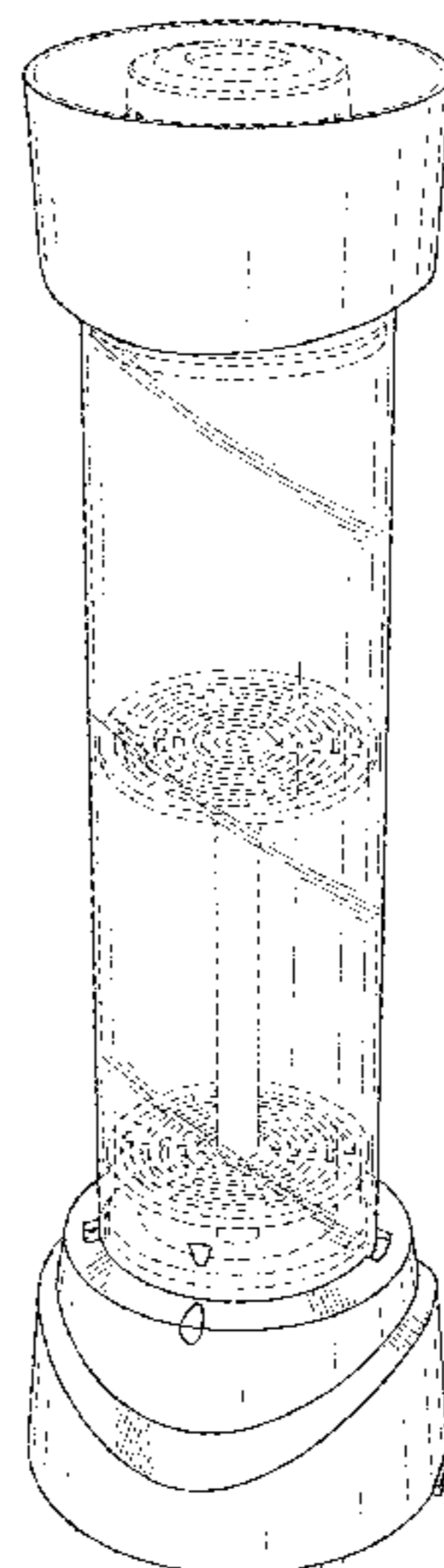
(57) **CLAIM**

The ornamental design for a vortex filter, as shown and described.

**DESCRIPTION**

FIG. 1 is a front perspective view of a vortex filter according to an embodiment of the present invention.  
FIG. 2 is a front view of the vortex filter of FIG. 1.  
FIG. 3 is a rear view of the vortex filter of FIG. 1.  
FIG. 4 is a left side view of vortex filter of FIG. 1.  
FIG. 5 is a right side view of the vortex filter of FIG. 1.  
FIG. 6 is a top view of the vortex filter of FIG. 1.  
FIG. 7 is a bottom view of the vortex filter of FIG. 1.  
FIG. 8 is an enclosed front perspective view of the vortex filter according to FIG. 1.  
FIG. 9 is a front view of the vortex filter of FIG. 8.  
FIG. 10 is a rear view of the vortex filter of FIG. 8.  
FIG. 11 is a left side view of the vortex filter of FIG. 8.  
FIG. 12 is a right side view of the vortex filter of FIG. 8.  
FIG. 13 is a top view of the vortex filter of FIG. 8; and, FIG. 14 is a bottom view of the vortex filter of FIG. 8.  
The dashed lines illustrate environment that does not form a part of the present invention, and no claim is made to the material illustrated with dashed lines.

**1 Claim, 14 Drawing Sheets**



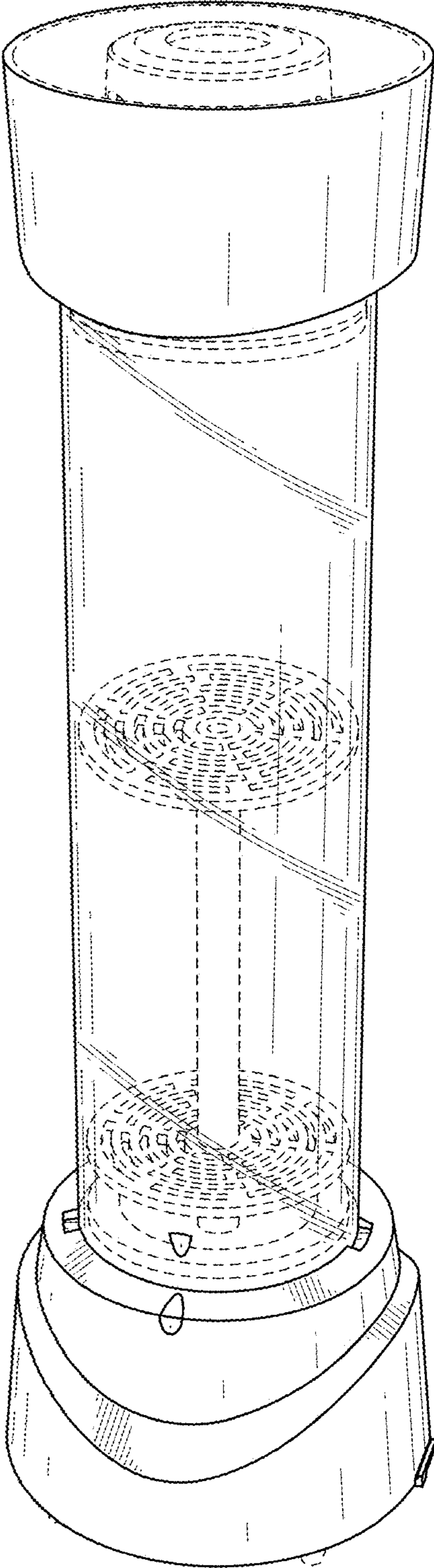


FIG.1

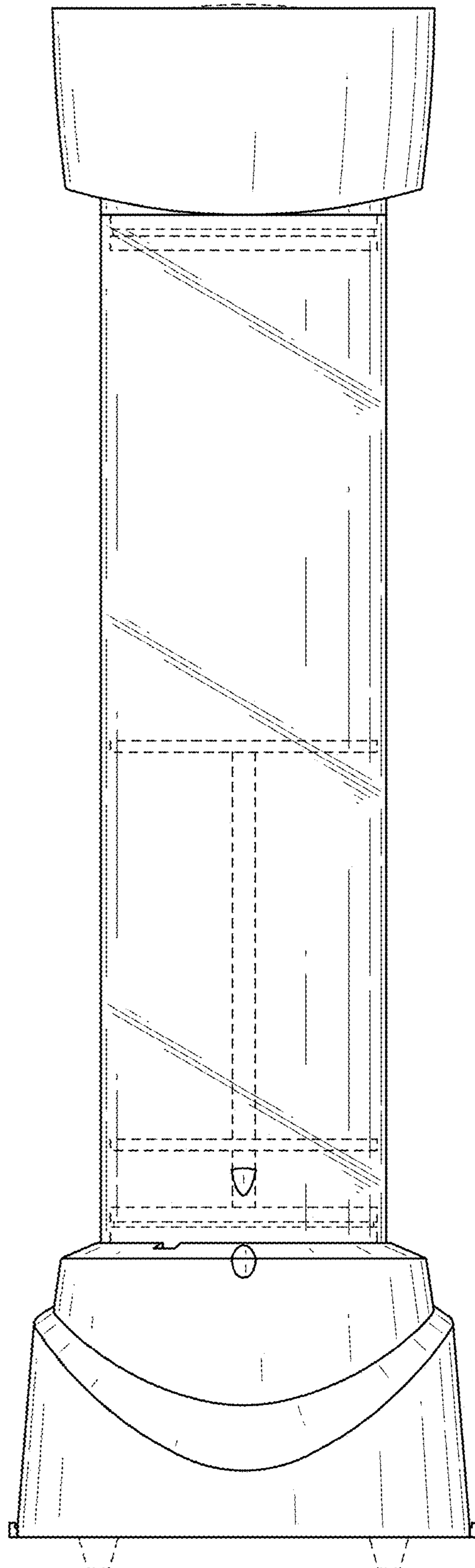


FIG.2

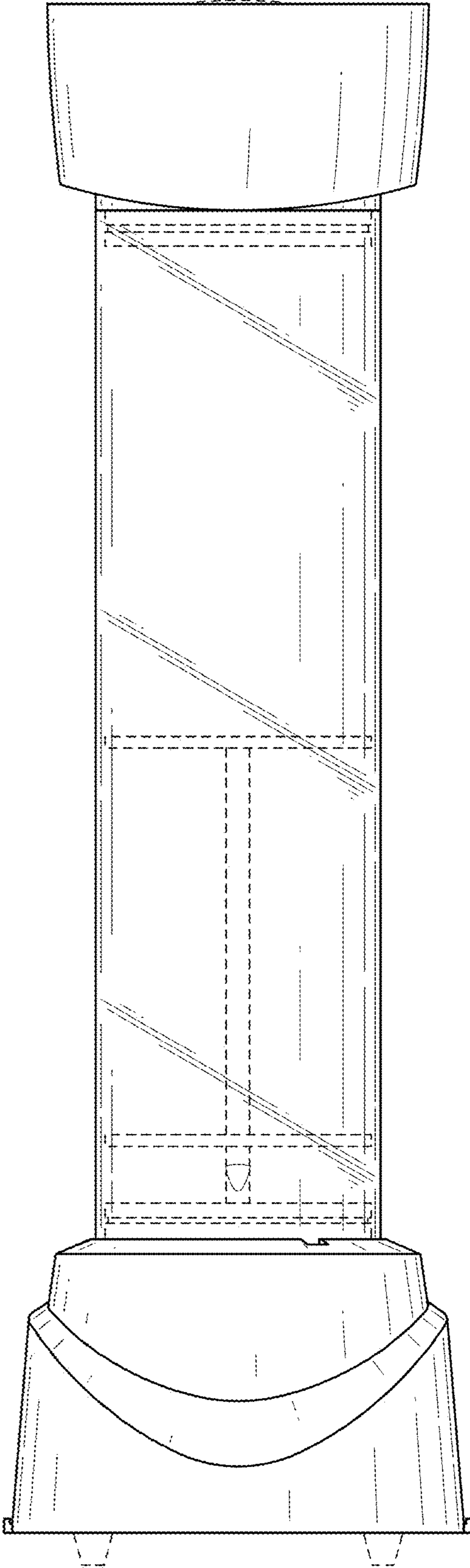


FIG.3

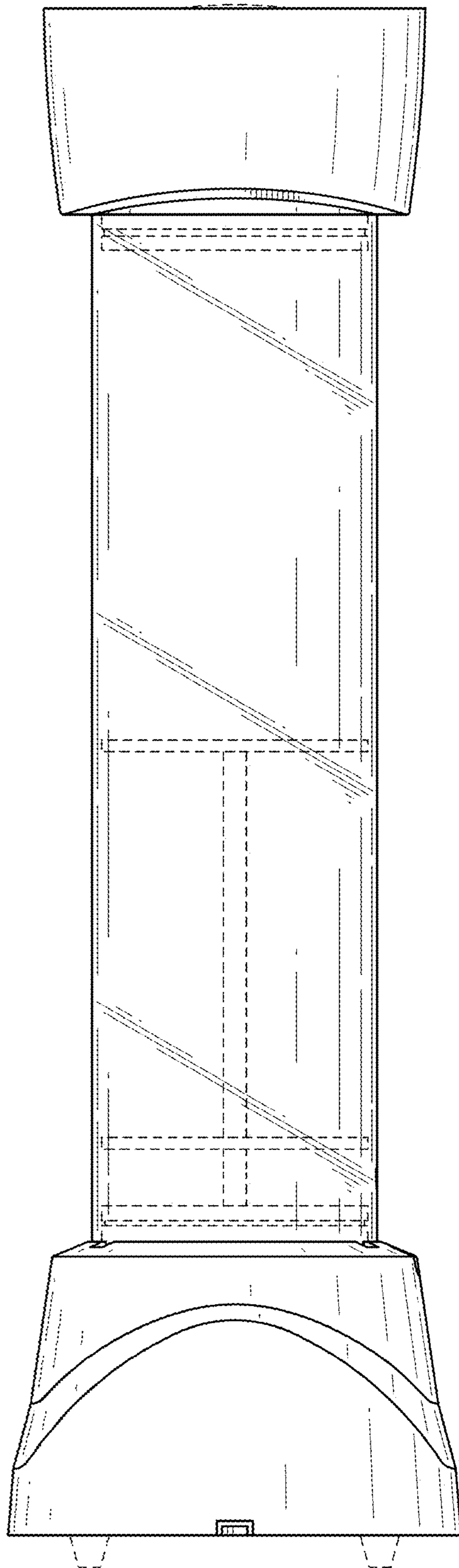


FIG.4

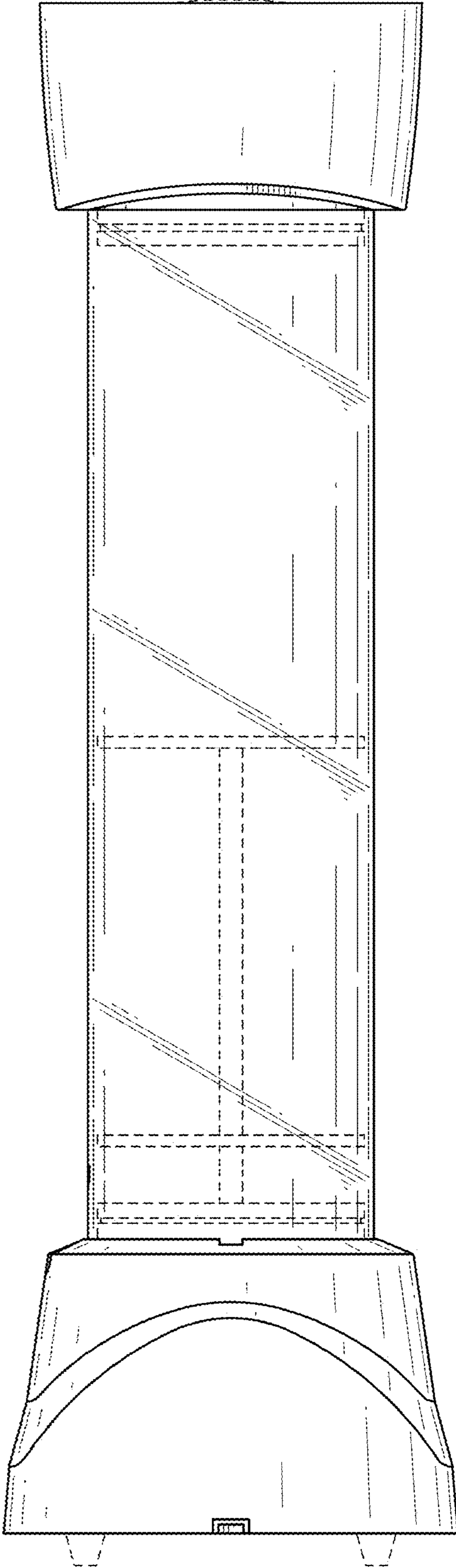


FIG.5

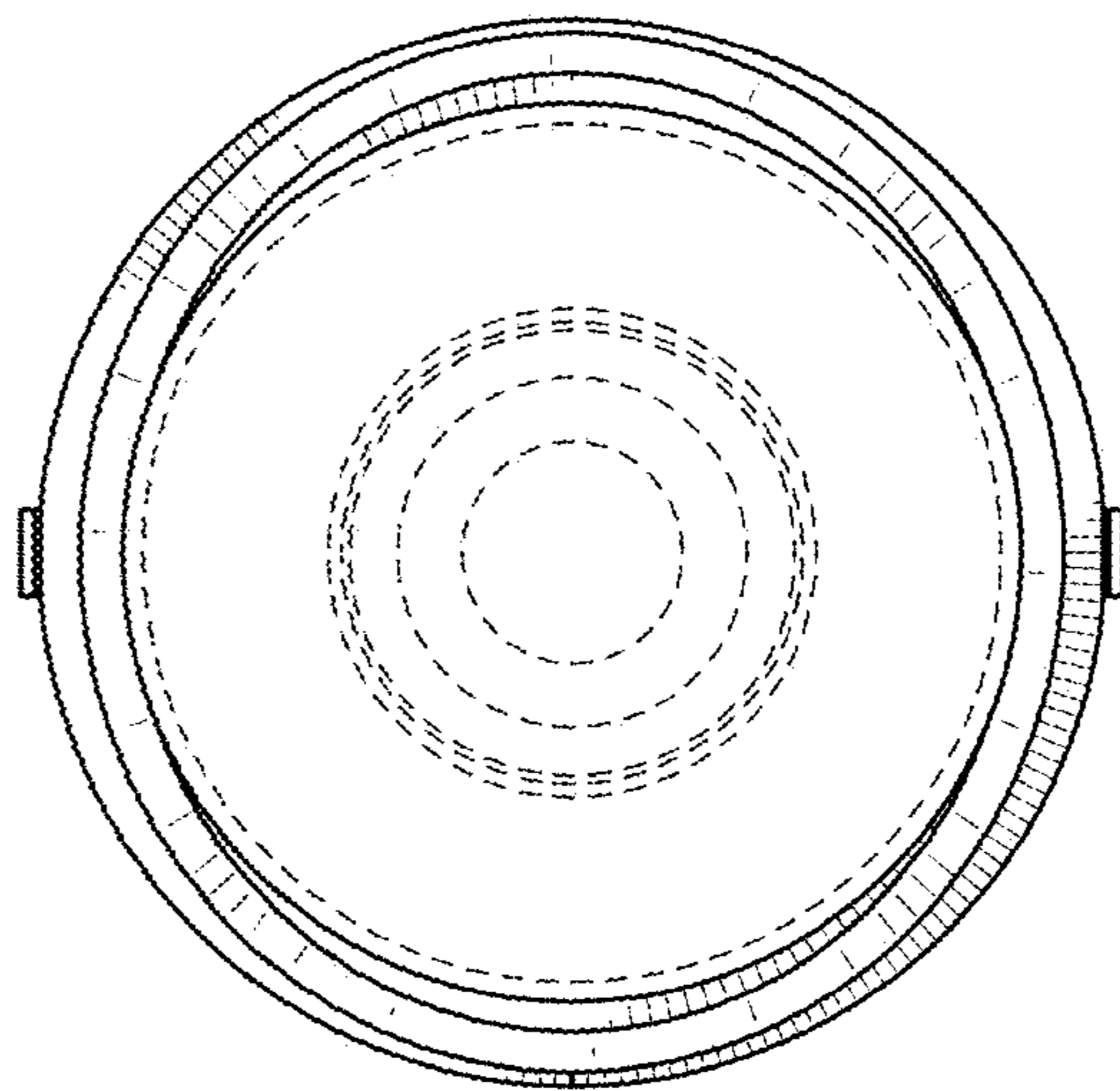


FIG.6

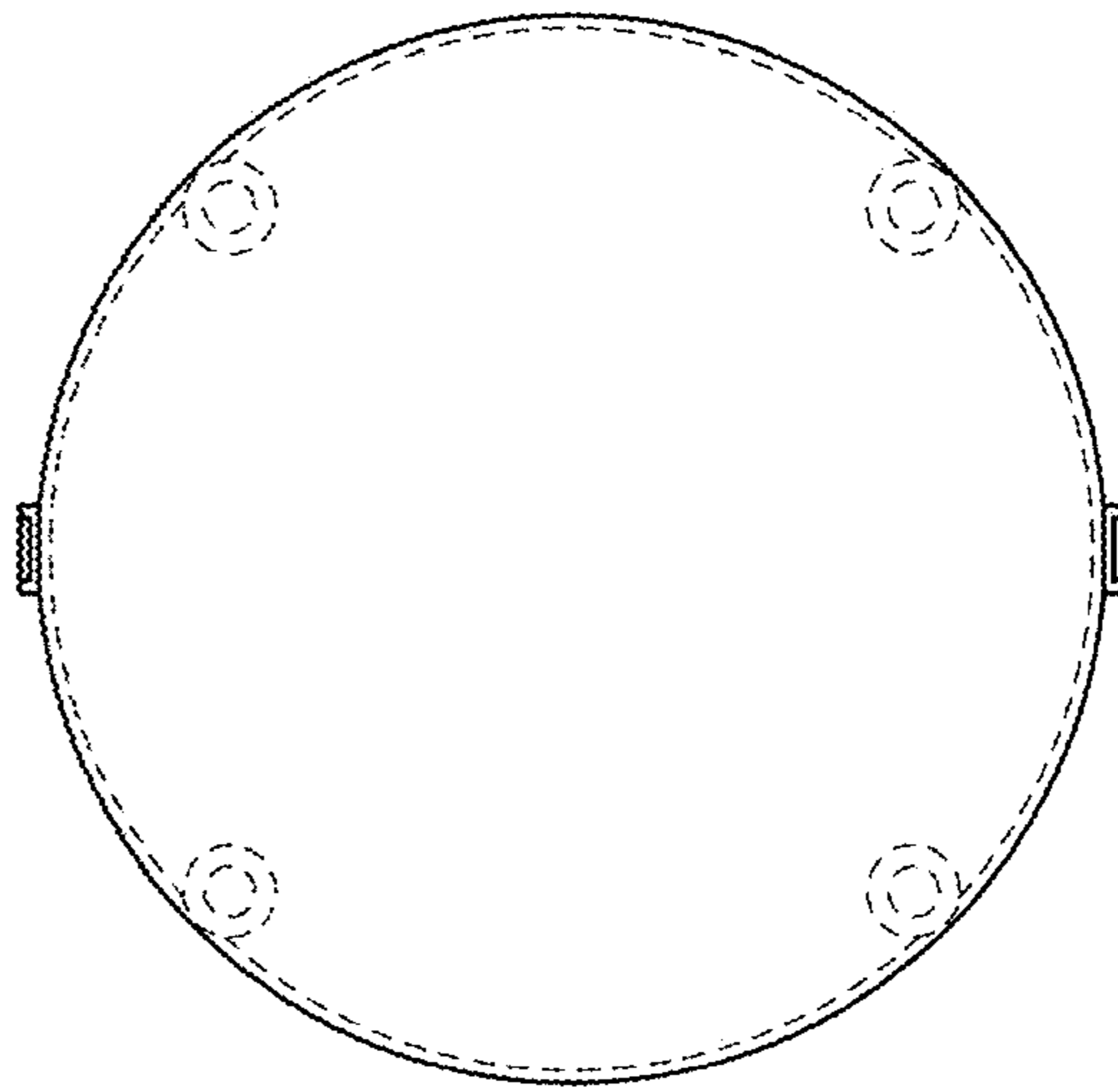


FIG.7



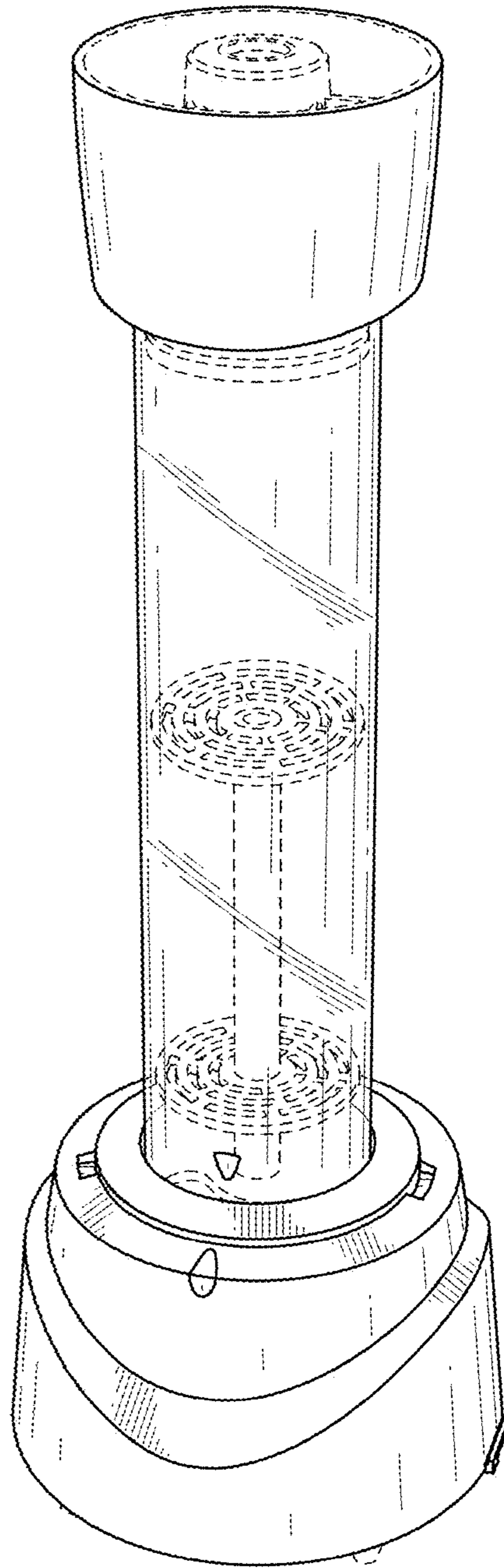


FIG.8

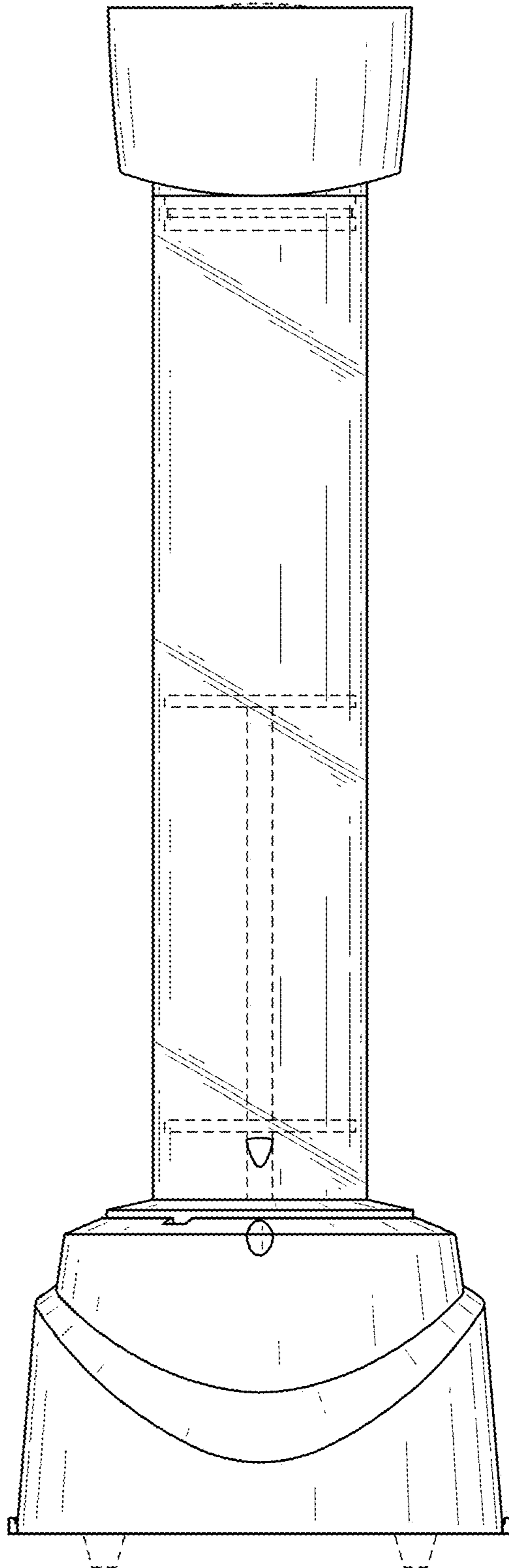


FIG.9

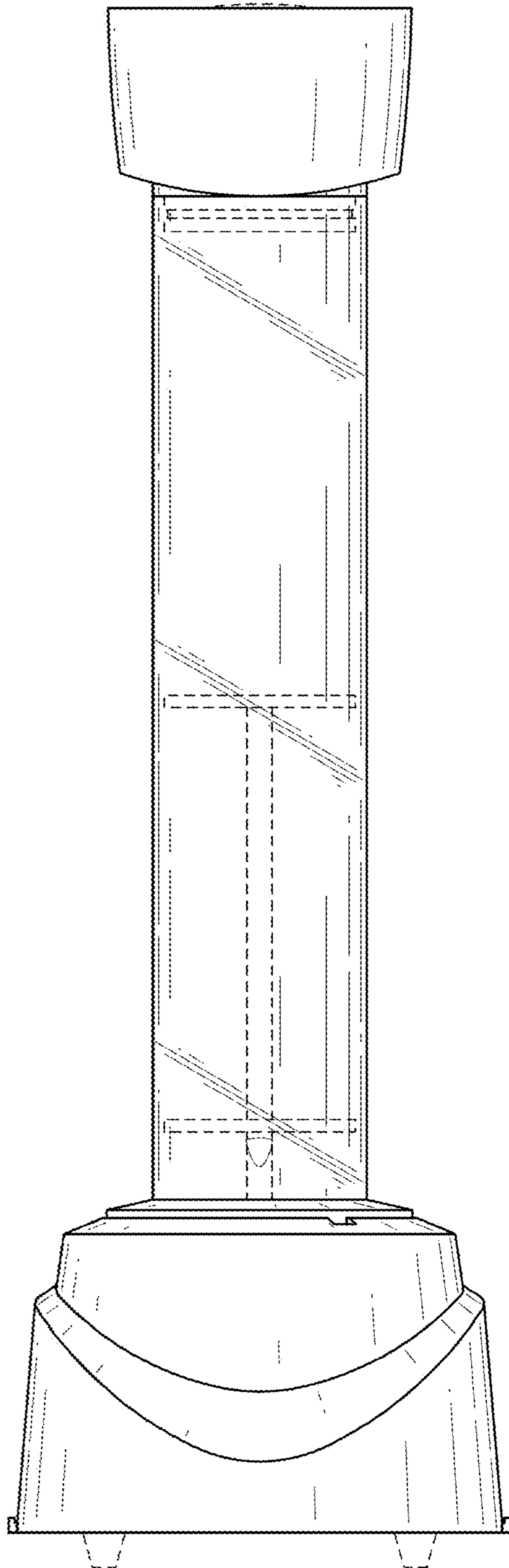


FIG.10

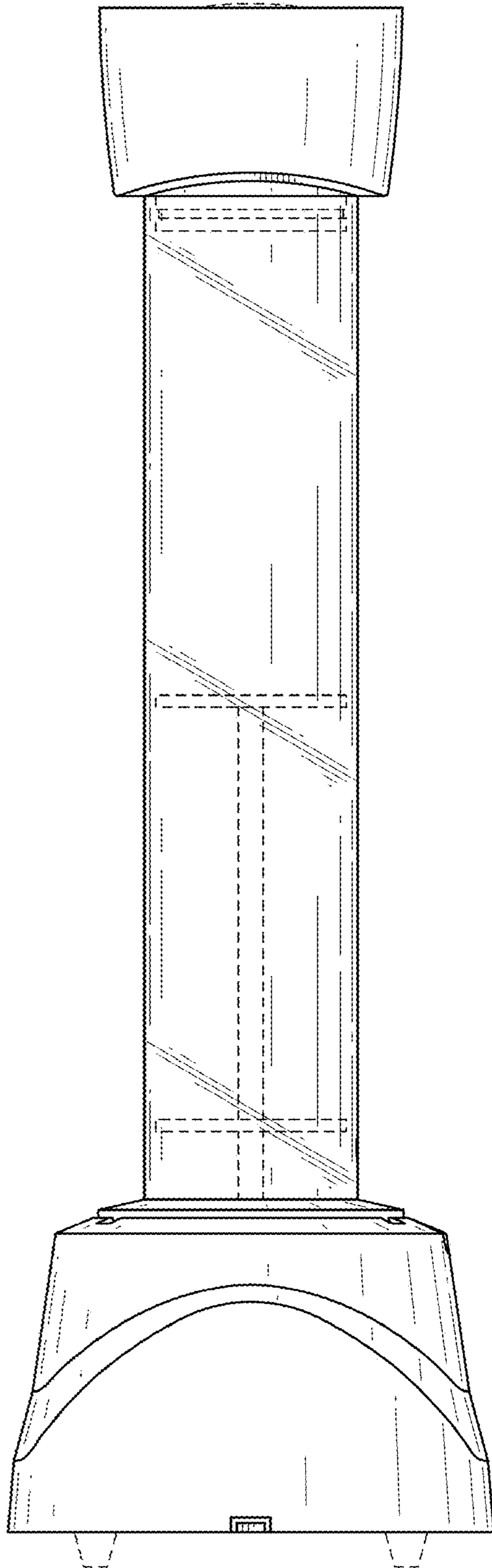


FIG. 11

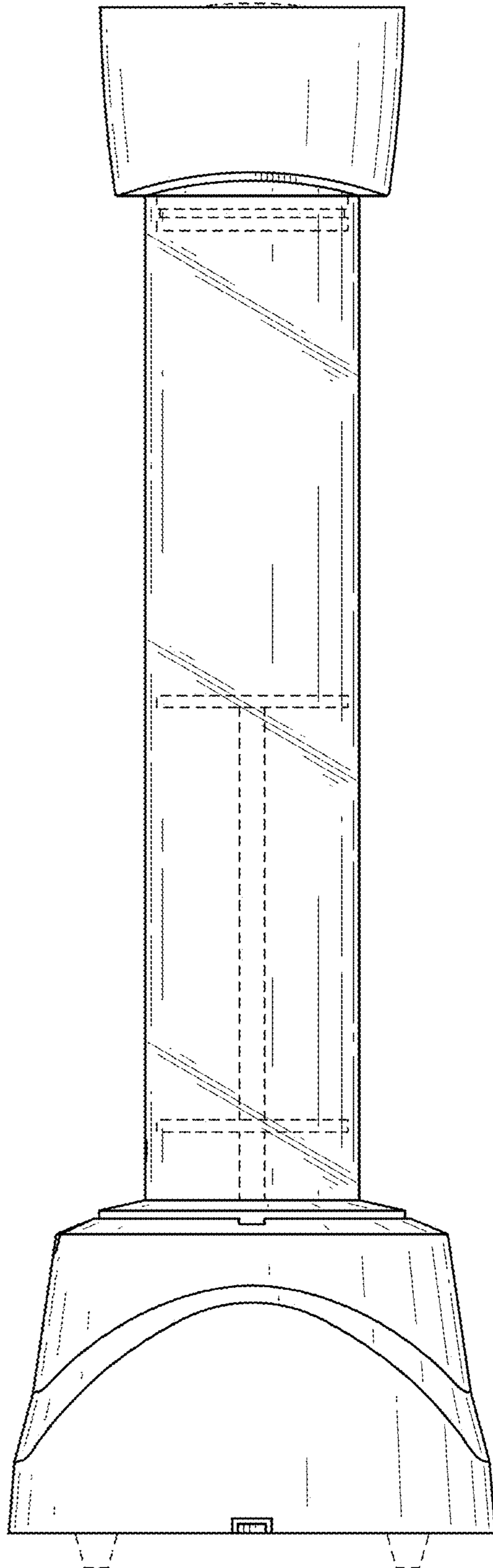


FIG.12

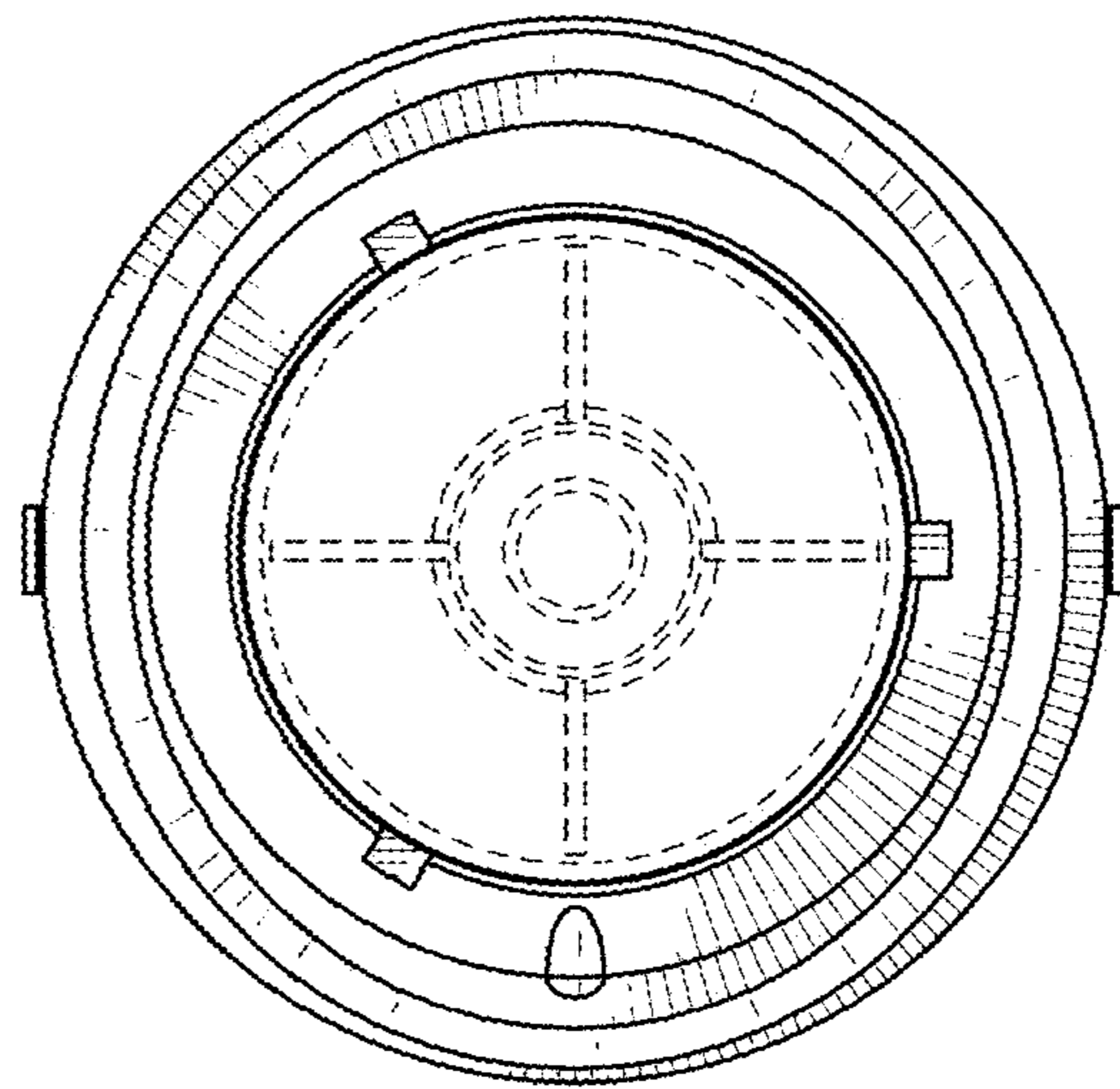


FIG.13

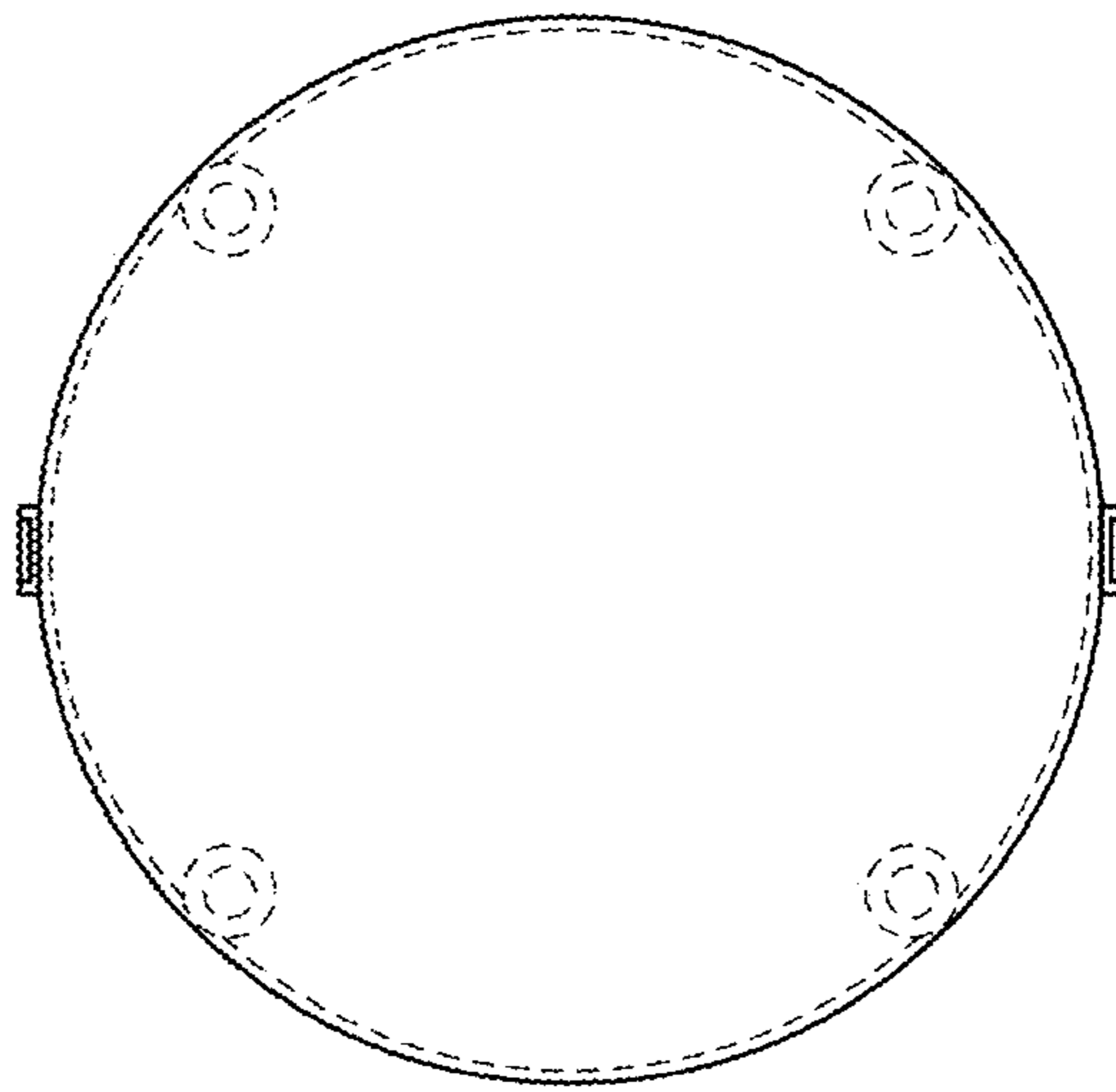


FIG.14