



US00D904557S

(12) **United States Design Patent** (10) **Patent No.:** **US D904,557 S**
Botos et al. (45) **Date of Patent:** **** Dec. 8, 2020**

(54) **WATER FILTER**

(71) Applicant: **GENEMIS LABORATORIES INC.,**
Brantford (CA)

(72) Inventors: **George Botos, Oakville (CA); Shazia**
Tanvir, Waterloo (CA)

(**) Term: **15 Years**

(21) Appl. No.: **29/651,251**

(22) Filed: **Apr. 3, 2016**

(51) **LOC (12) Cl.** **23-01**

(52) **U.S. Cl.**
USPC **D23/209**

(58) **Field of Classification Search**
USPC D23/209, 259, 262, 268
CPC G01N 2001/4088; G01N 1/34; G01N 1/40;
G01N 2001/4016; B01D 29/085
See application file for complete search history.

(56) **References Cited**

U.S. PATENT DOCUMENTS

D223,187 S *	3/1972	Wing	D8/397
D229,416 S *	11/1973	Luckenbill et al.	D23/262
D234,197 S *	1/1975	Lieberman	D23/209
D240,300 S *	6/1976	Gelman et al.	D23/209
D243,531 S *	3/1977	Strigle, Jr.	D23/209
D244,530 S *	5/1977	Bell	D23/209
D270,947 S *	10/1983	Mehra	D23/209
D306,340 S *	2/1990	Whiting	D23/209
D321,745 S *	11/1991	Murrell	D23/209
D338,704 S *	8/1993	Garrigos Ruiz	D23/209

(Continued)

Primary Examiner — Sheryl Lane

Assistant Examiner — Calvin E Vansant

(74) *Attorney, Agent, or Firm* — Tarolli, Sundheim,
Covell & Tummino LLP

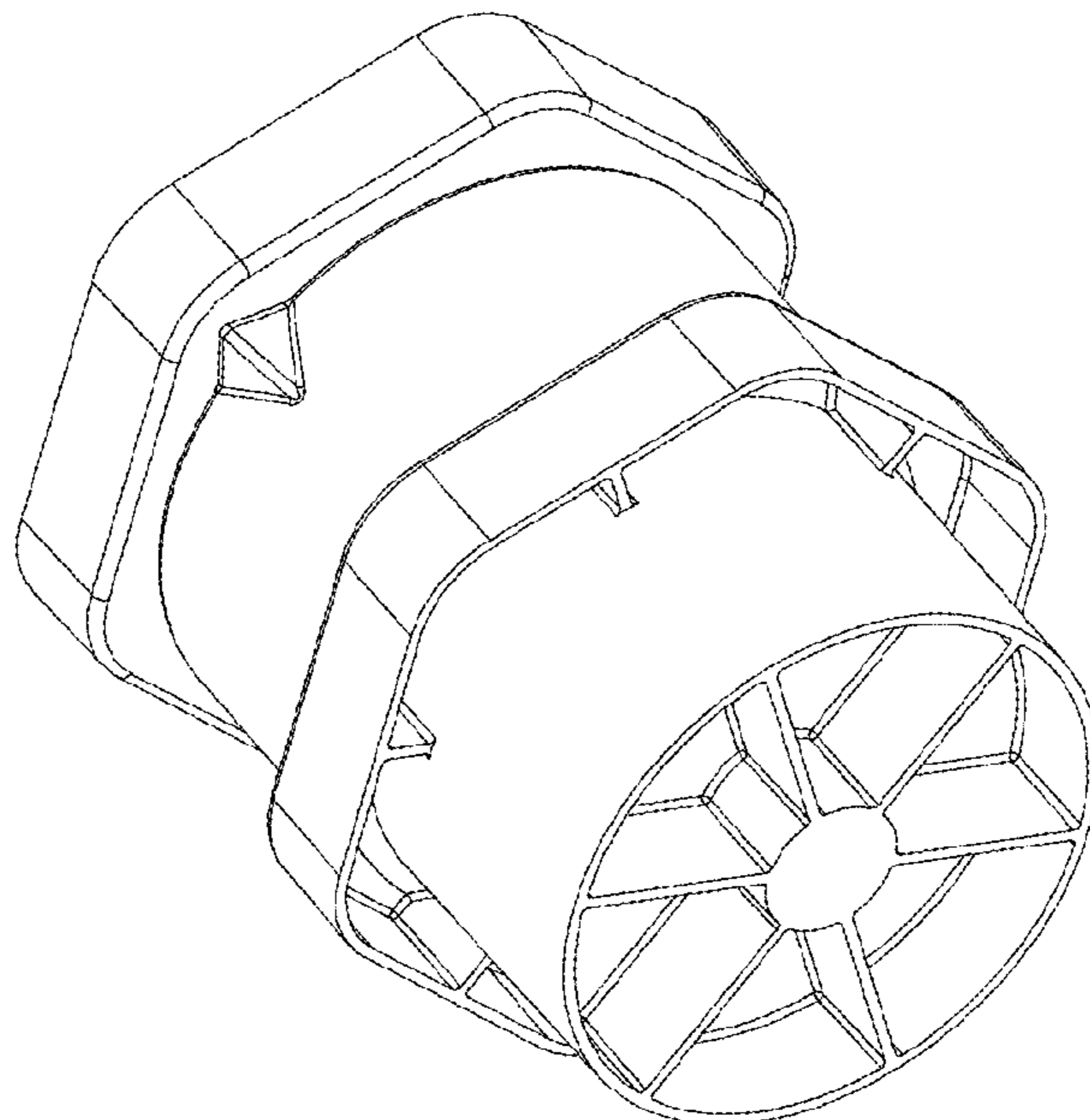
(57) **CLAIM**

The ornamental design for a water filter, as shown and described.

DESCRIPTION

FIG. 1 is a perspective view of a water filter according to the present invention, illustrating the bottom, front, and right sides of the water filter. The left side of the water filter is a mirror image of the right side as illustrated. The front of the water filter is also a mirror image of the rear as illustrated. FIG. 2 is another perspective view of the water filter of FIG. 1, illustrating the top, rear, and left sides of the water filter. FIG. 3 is a side elevation view of the water filter of FIG. 1. FIG. 4 is a front elevation view of the water filter of FIG. 1. FIG. 5 is a top plan view of the water filter of FIG. 1. FIG. 6 is a bottom plan view of the water filter of FIG. 1. FIG. 7 is an exploded perspective view of the water filter of FIG. 2. FIG. 8 is an exploded perspective view of the water filter of FIG. 1. FIG. 9 is an exploded side elevation view of the water filter of FIG. 3. FIG. 10 is an exploded front elevation view of the water filter of FIG. 4. FIG. 11 is a top plan view of the water filter of FIG. 1. FIG. 12 is a bottom plan view of the water filter of FIG. FIG. 1. FIG. 13 is a side perspective view of the water filter of FIG. 1. FIG. 14 is a top perspective view of the water filter of FIG. 13. FIG. 15 is a bottom perspective view of the water filter of FIG. 13; and, FIG. 16 is a bottom view of the water filter of FIG. 15. The broken lines represent portions of the water filter that form no part of the claimed design.

1 Claim, 10 Drawing Sheets



(56)

References Cited

U.S. PATENT DOCUMENTS

5,779,903 A * 7/1998 Smith B01D 29/21
210/440
D413,967 S * 9/1999 Yuen D23/262
D419,231 S * 1/2000 Zito B01D 29/21
D23/209
D435,084 S * 12/2000 Northen D23/209
D501,533 S * 2/2005 Robinson D23/209
D517,667 S * 3/2006 Sener D23/262
D534,796 S * 1/2007 Falkenburg D23/262
D576,477 S * 9/2008 Levy D23/262
D706,126 S * 6/2014 Orow D8/397
D771,832 S * 11/2016 Yeager D24/224
D772,383 S * 11/2016 Gill D23/259
D812,331 S * 3/2018 LaBarbera D32/31
2006/0163143 A1 * 7/2006 Chirica B01D 61/18
210/321.84
2018/0188143 A1 * 7/2018 Botos G01N 1/40
D23/259

* cited by examiner

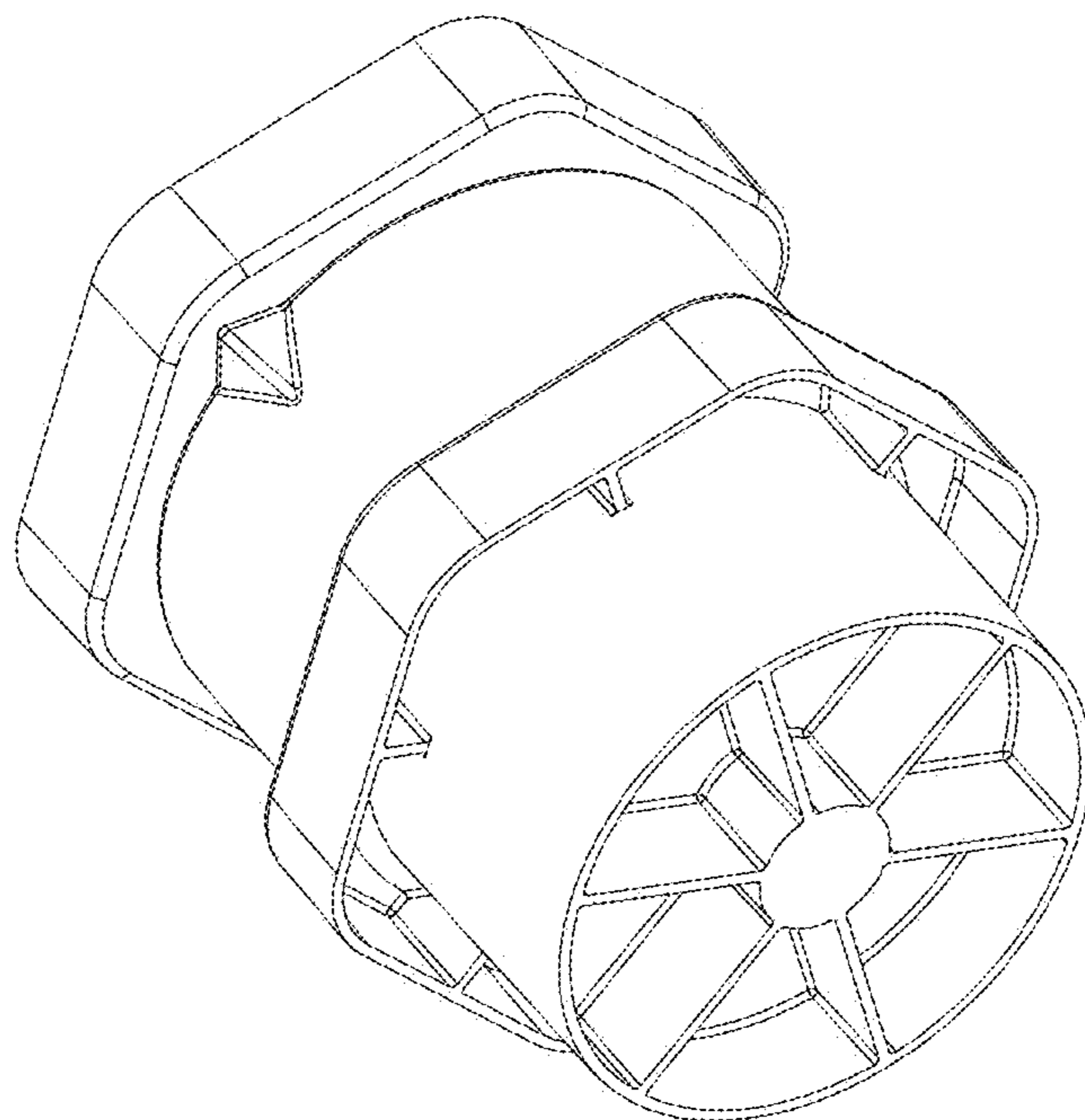


FIG. 1

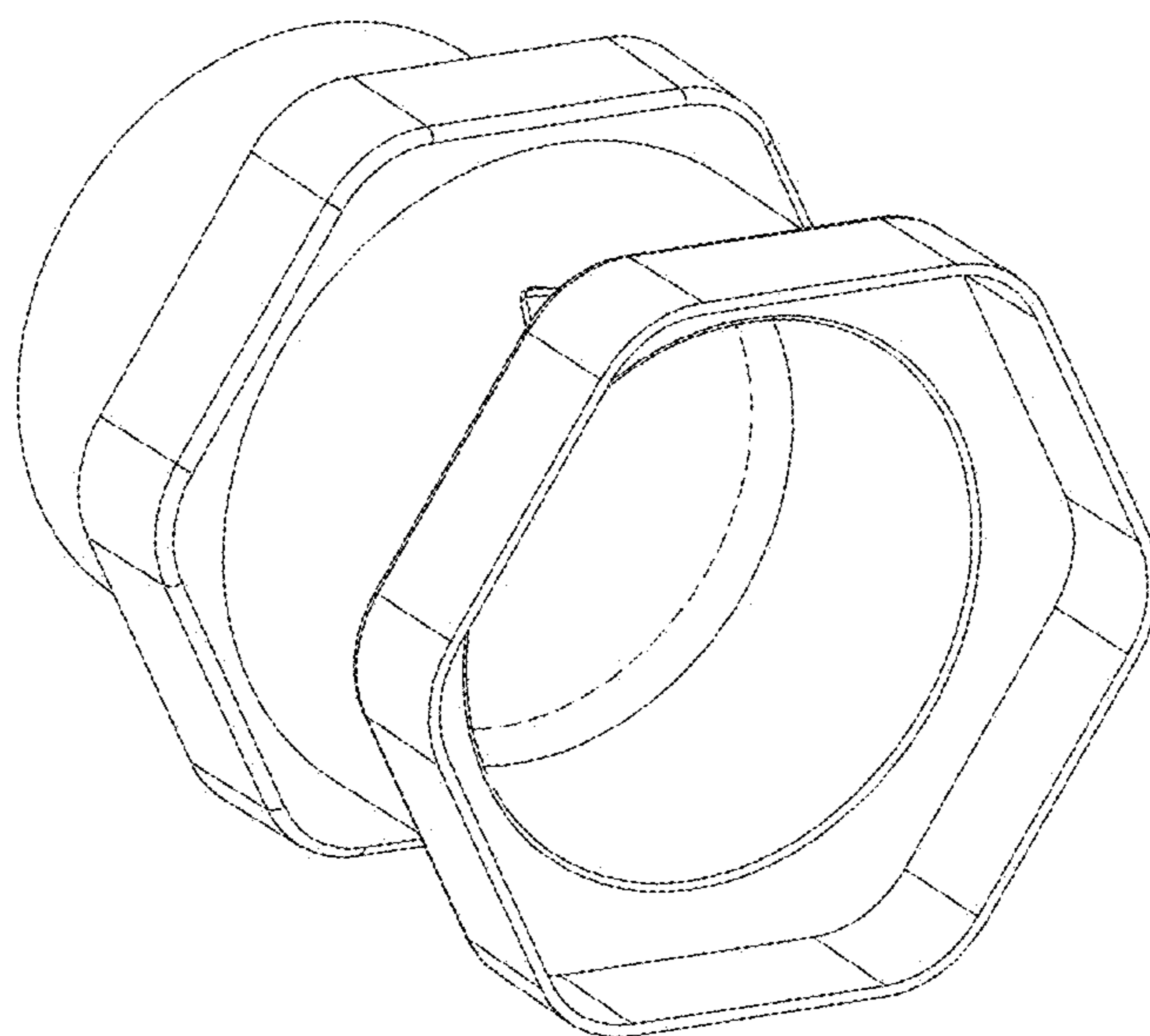


FIG. 2

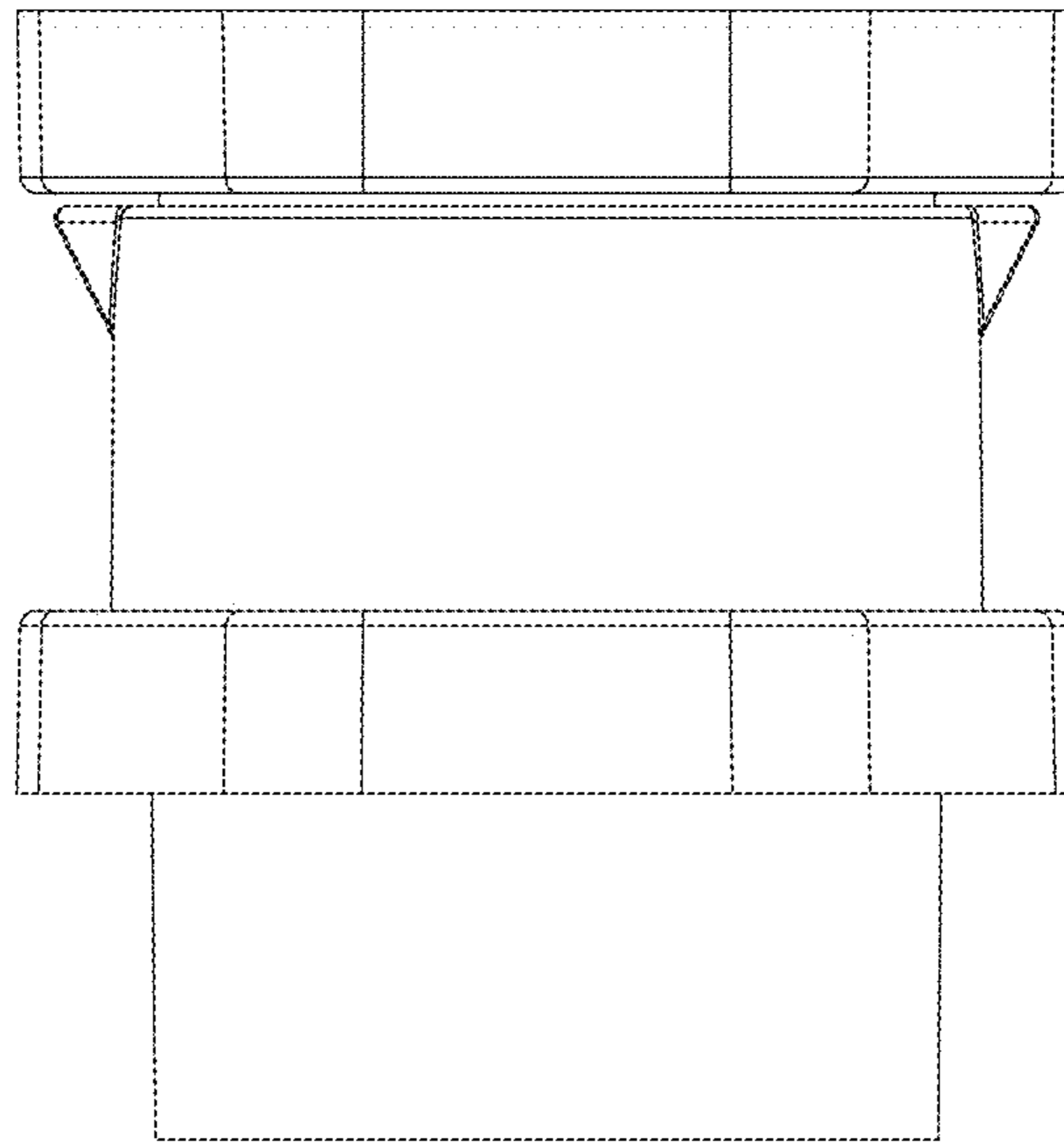


FIG. 3

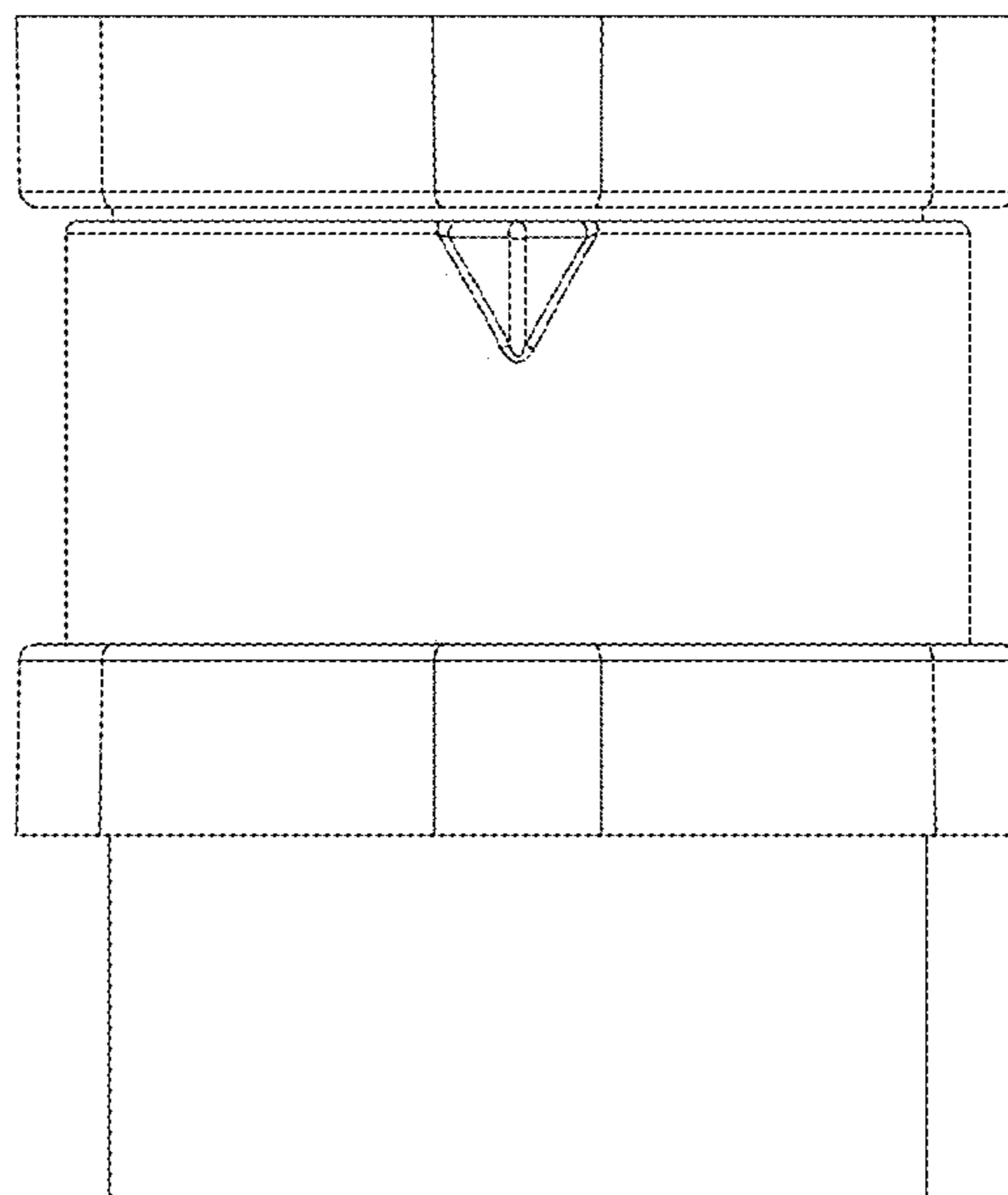


FIG. 4

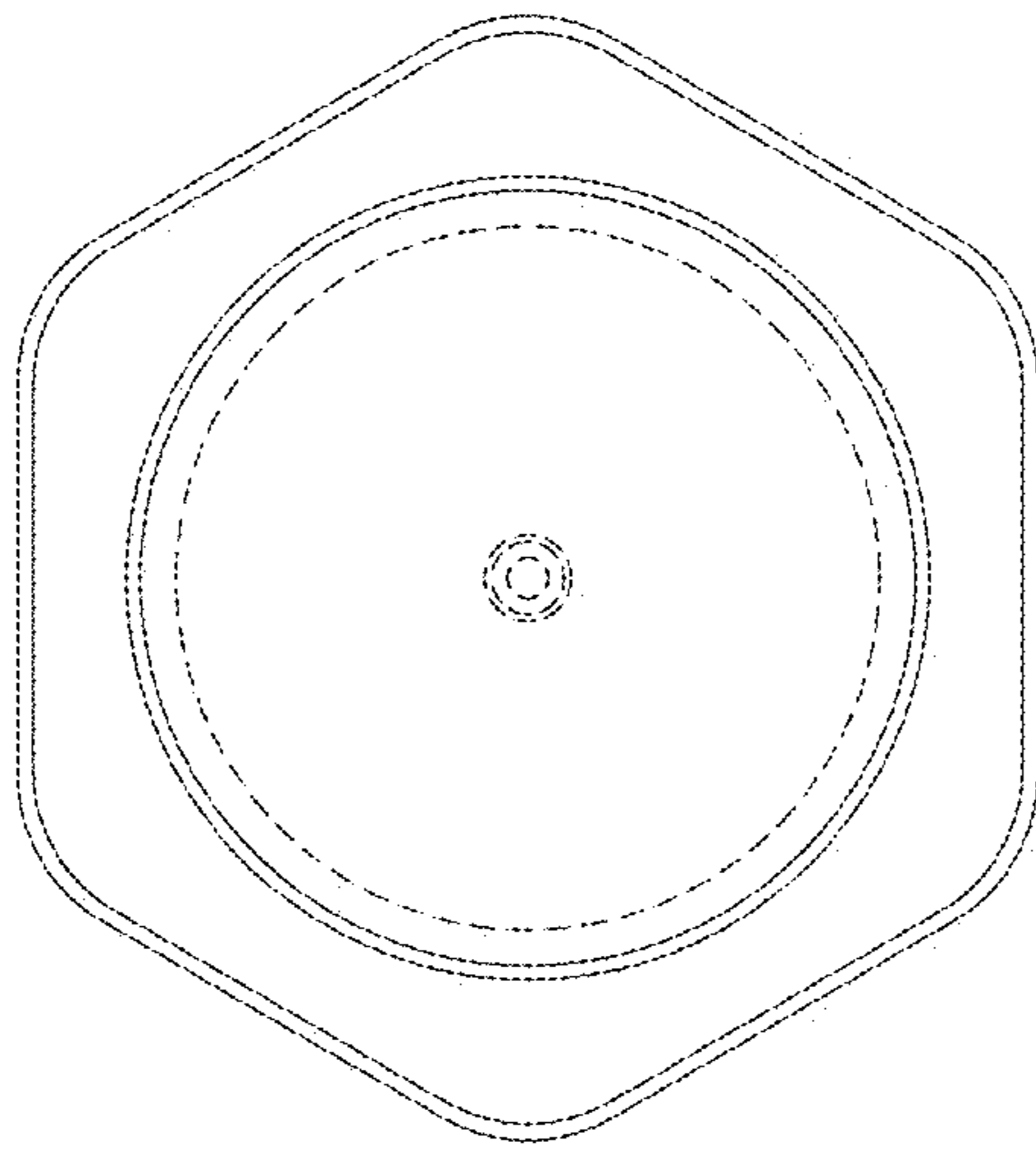


FIG. 5

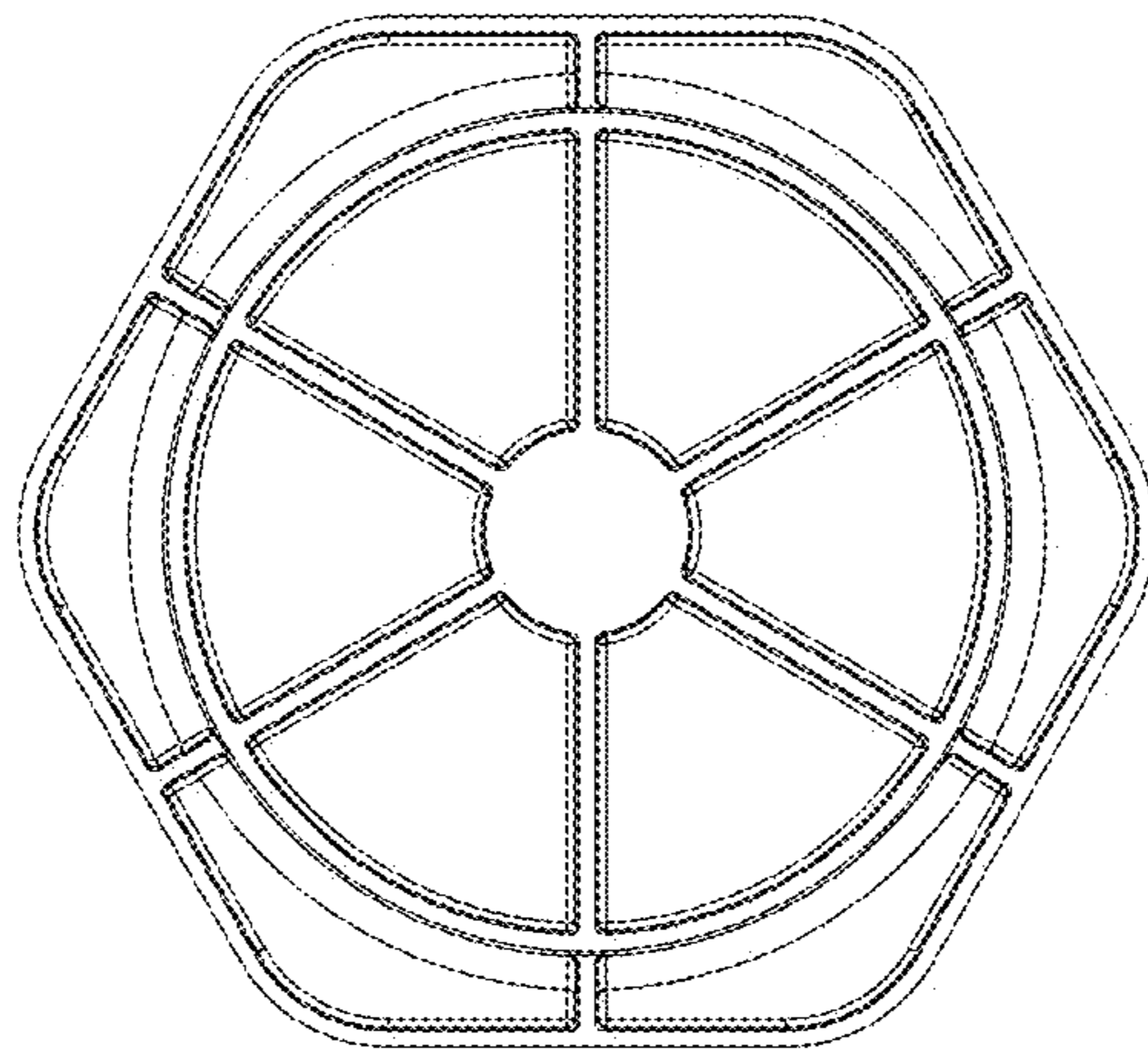


FIG. 6

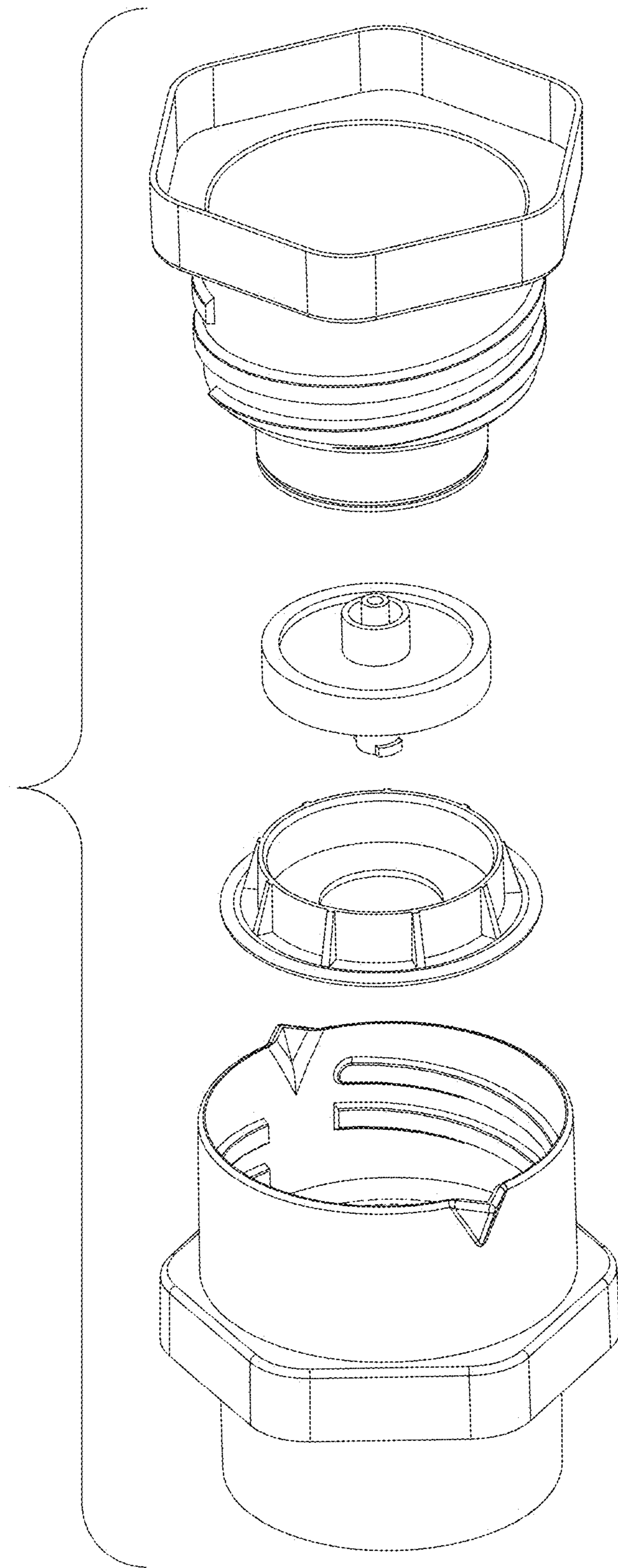


FIG. 7

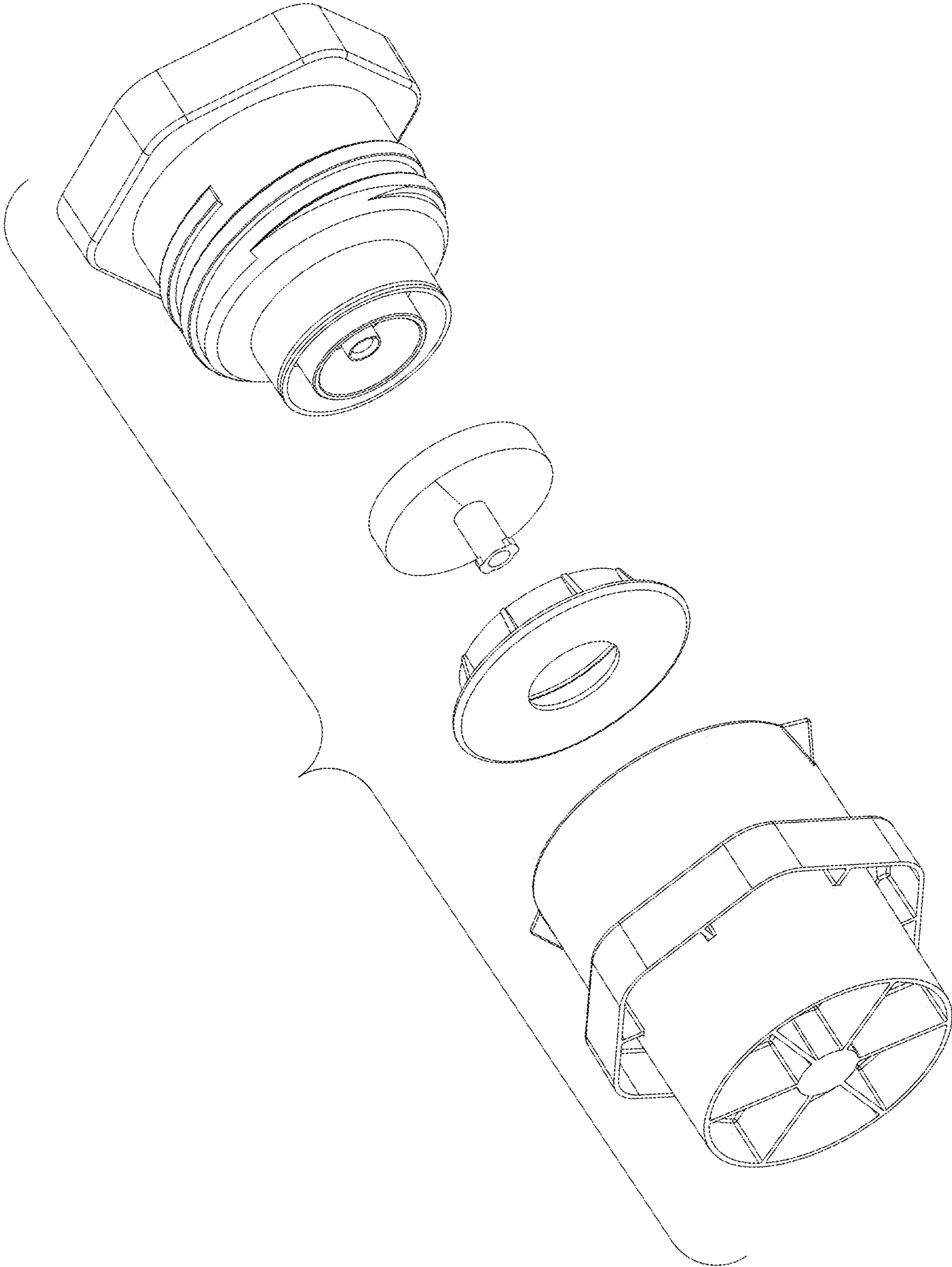


FIG. 8

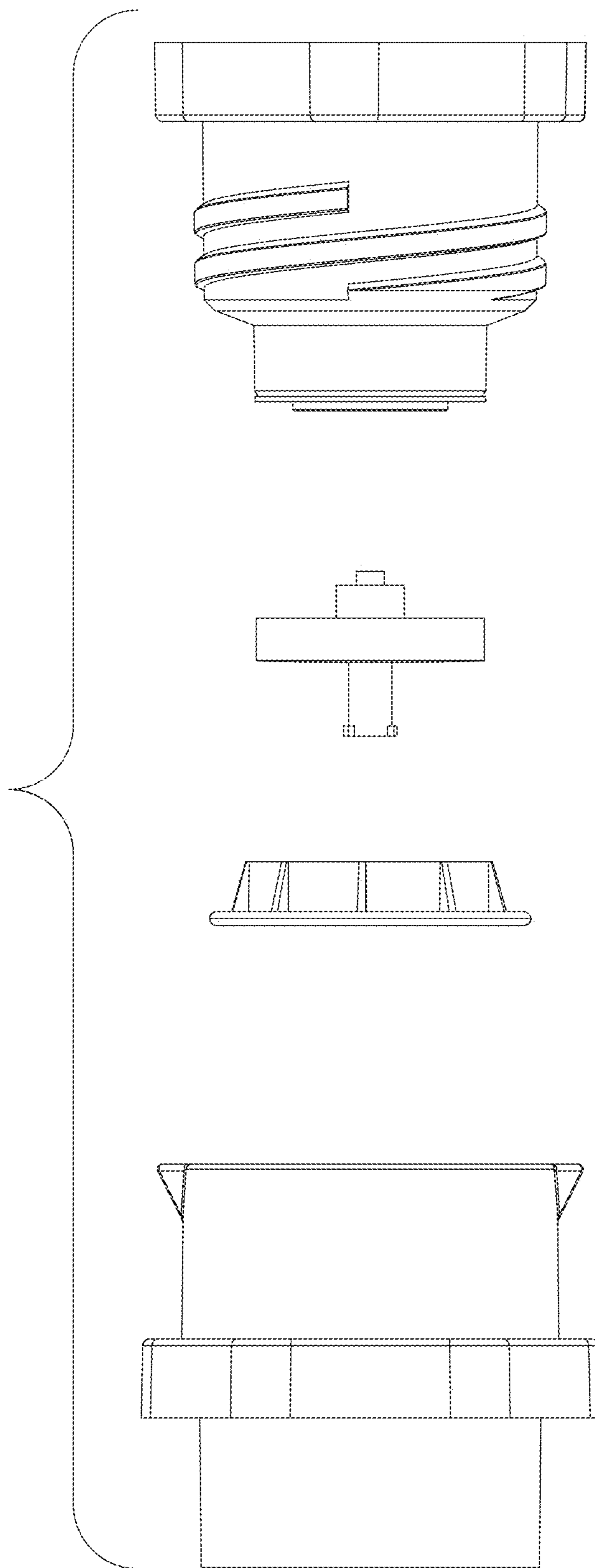


FIG. 9

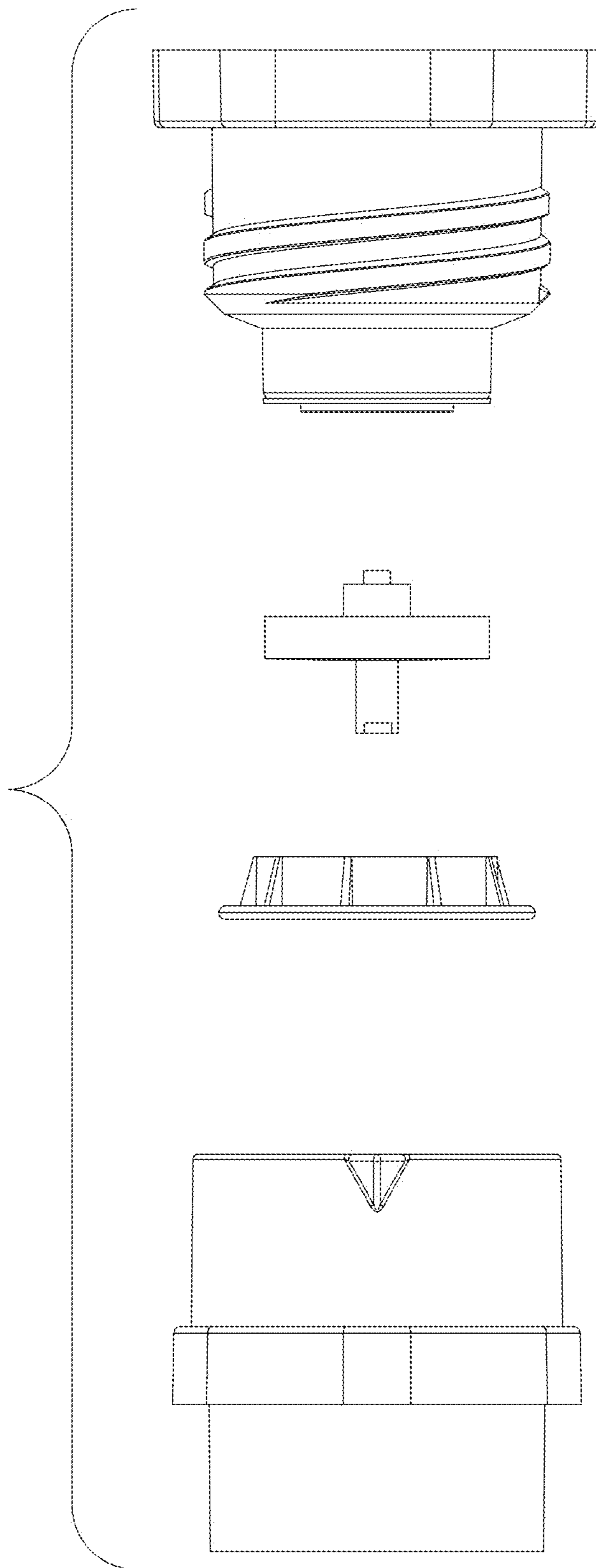


FIG. 10

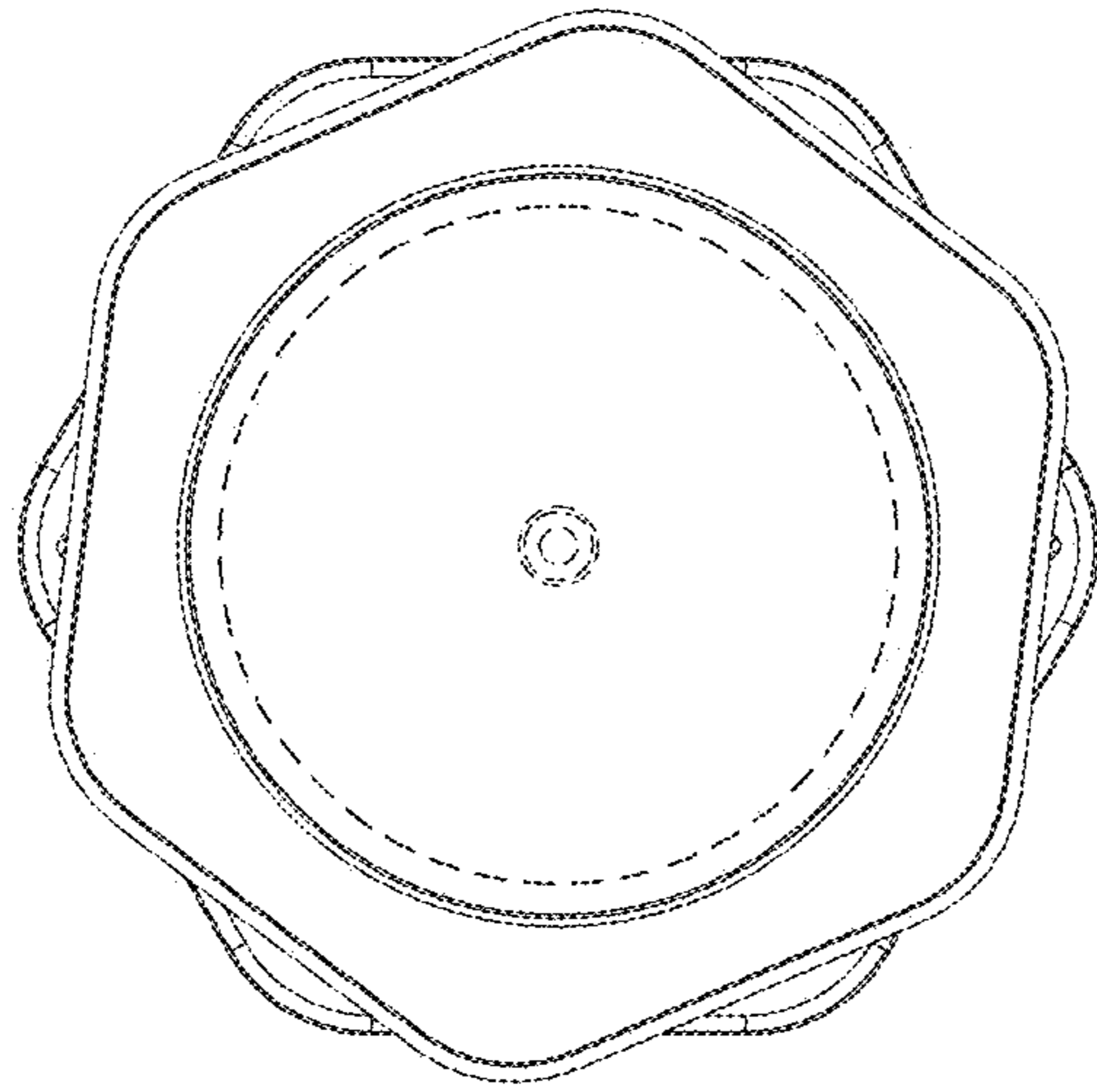


FIG. 11

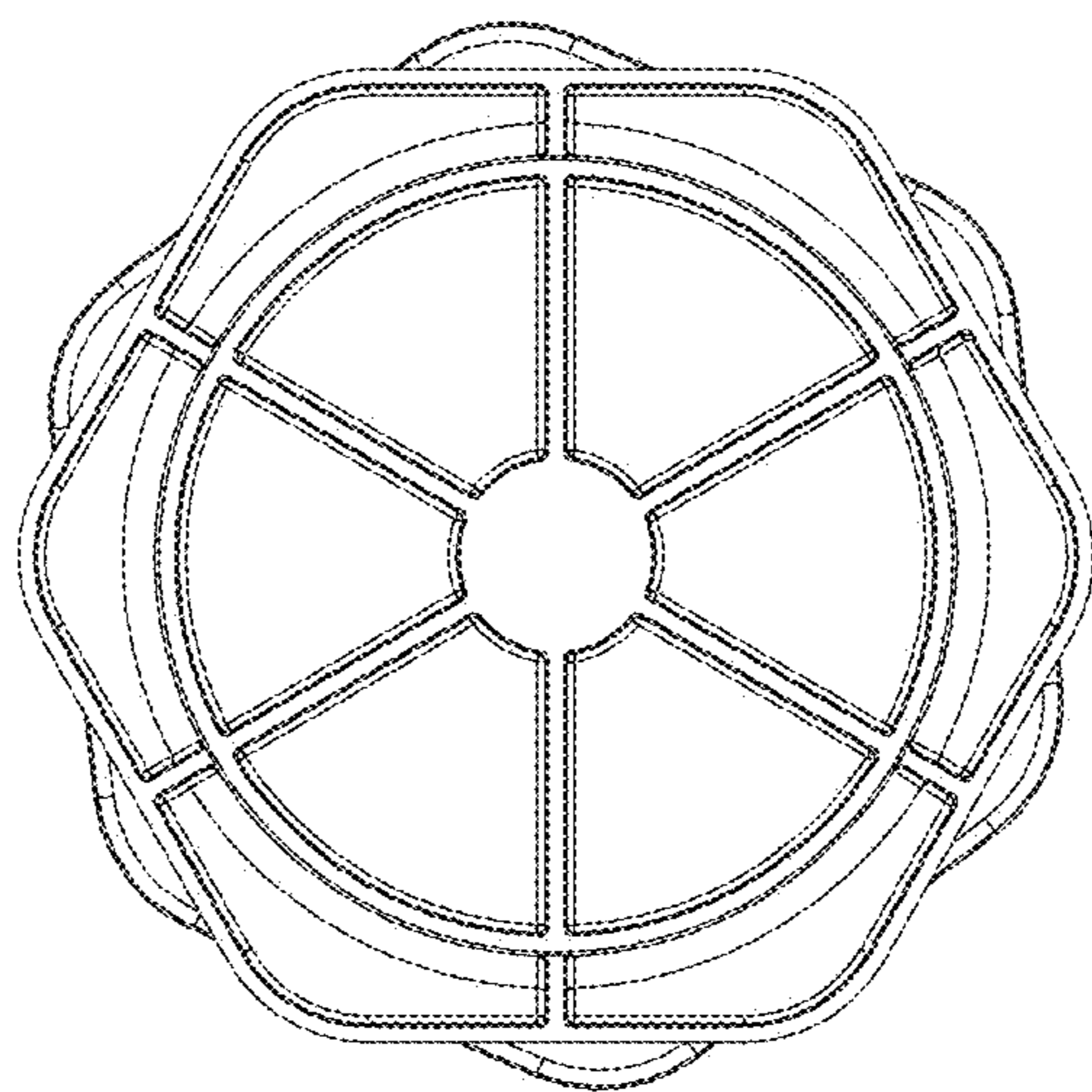


FIG. 12

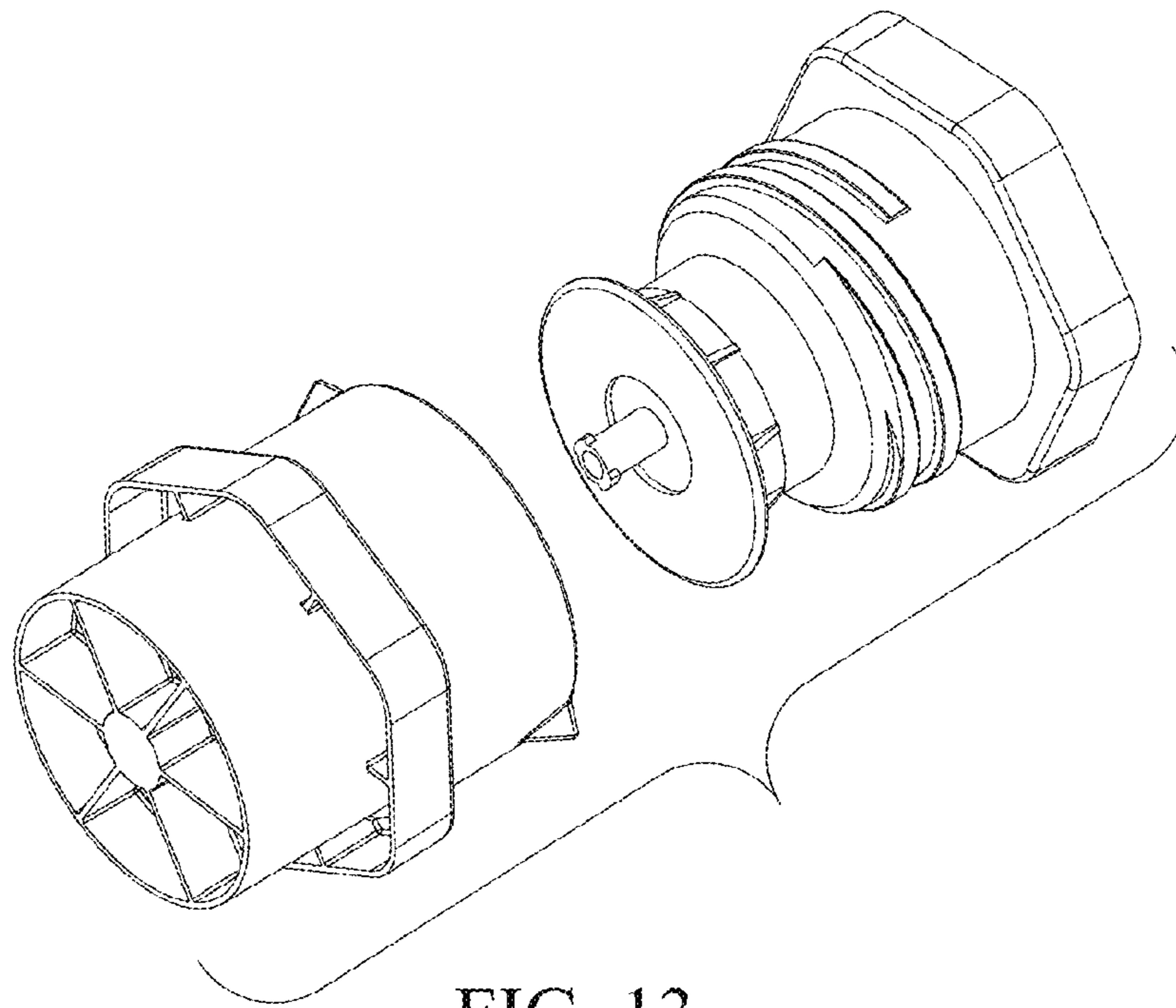


FIG. 13

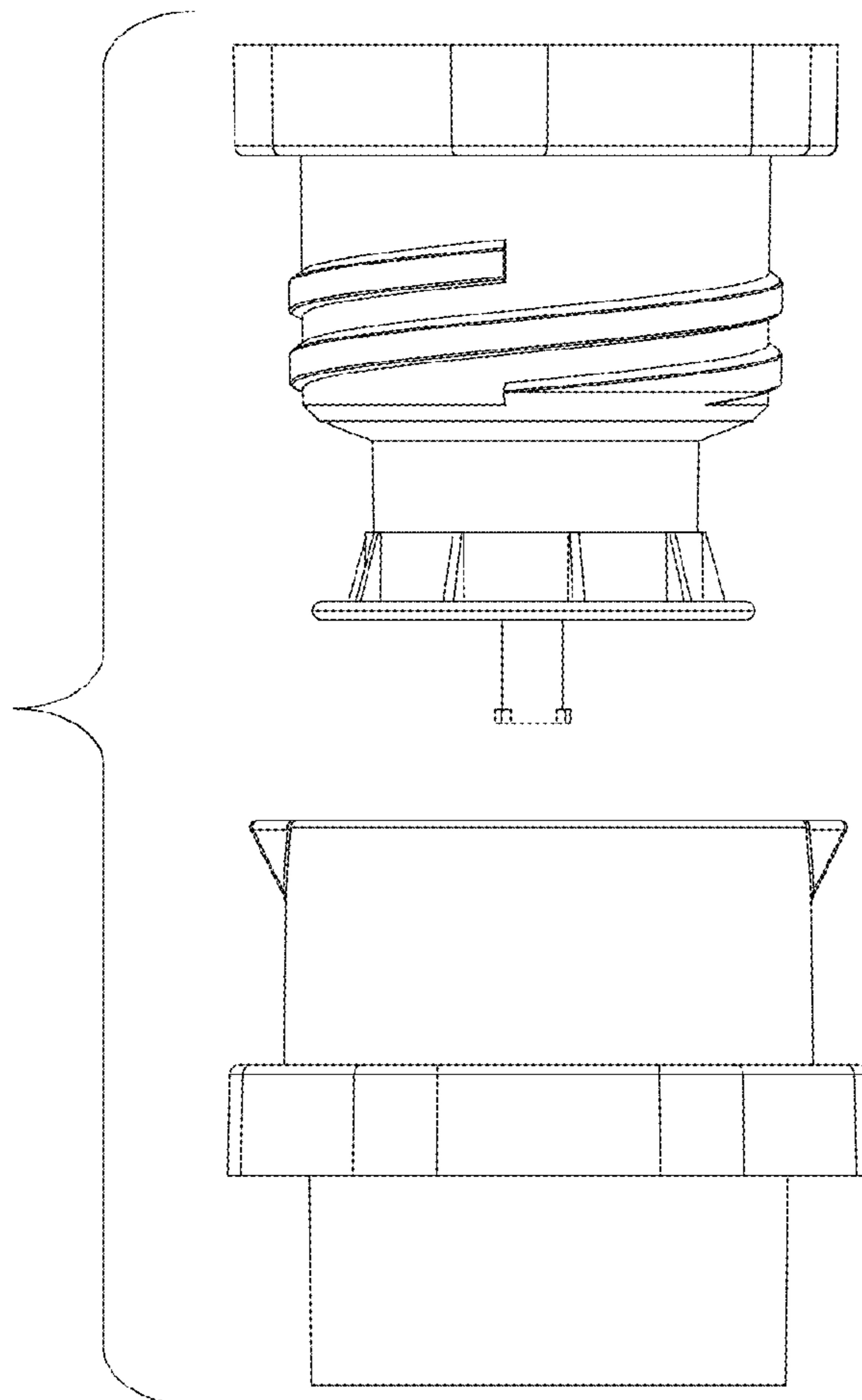


FIG. 14

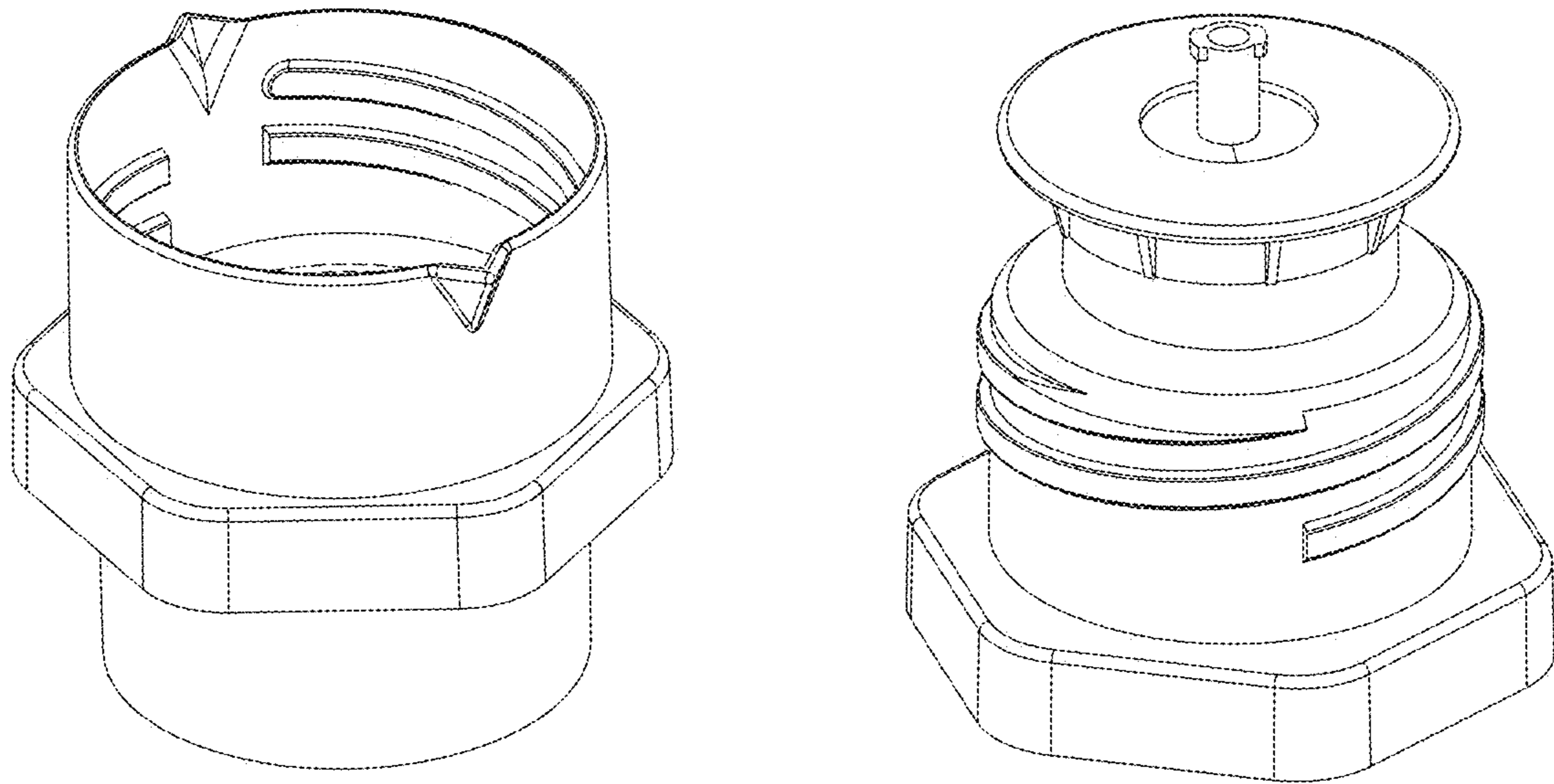


FIG. 15

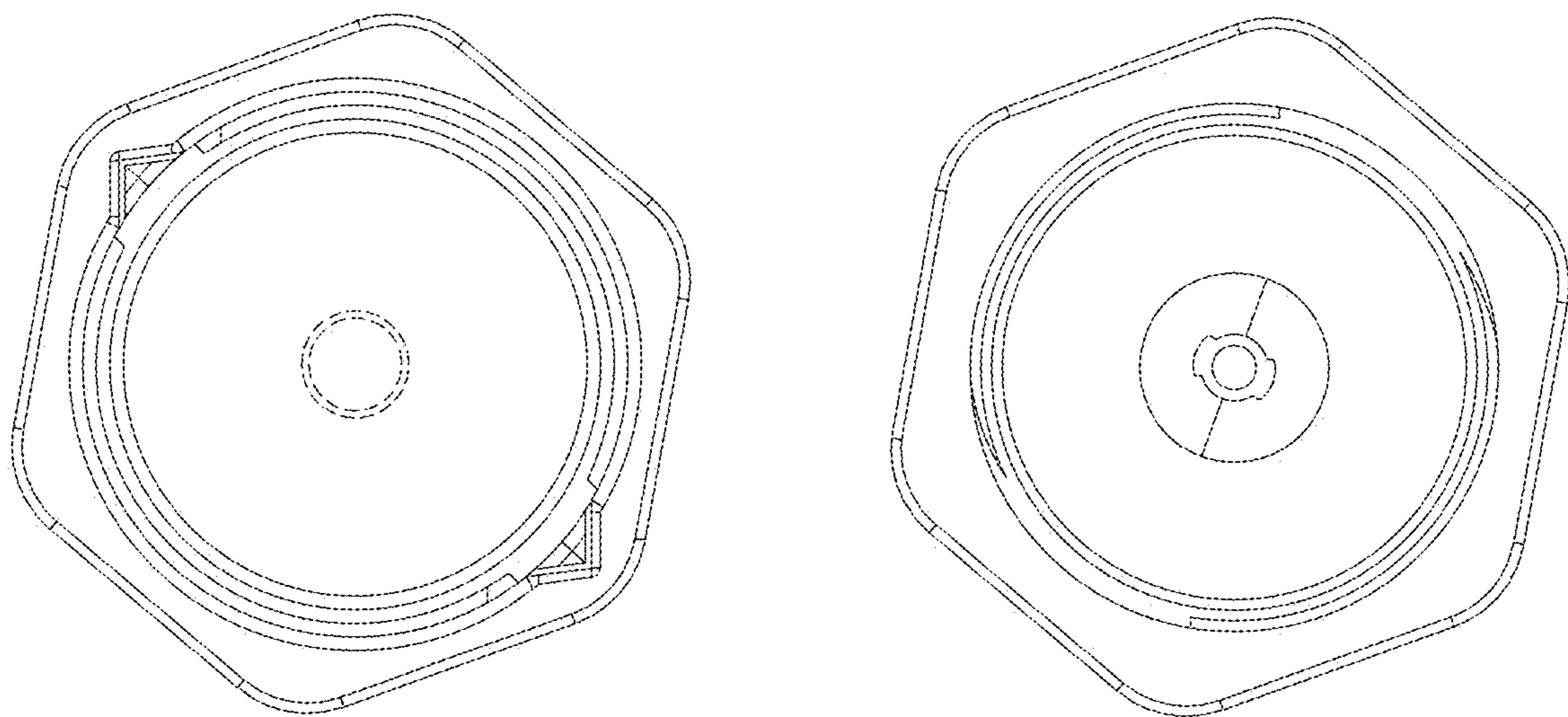


FIG. 16