



US00D904555S

(12) **United States Design Patent**  
**Hall et al.**

(10) **Patent No.:** **US D904,555 S**

(45) **Date of Patent:** **\*\* Dec. 8, 2020**

(54) **FISHING EQUIPMENT MOUNT**

(71) Applicants: **Howard Eugene Hall**, Bay Minette, AL (US); **Lisa Ann Bullock**, Bay Minette, AL (US)

(72) Inventors: **Howard Eugene Hall**, Bay Minette, AL (US); **Lisa Ann Bullock**, Bay Minette, AL (US)

(73) Assignee: **Badger Bait Bar, LLC**, Fayetteville, AR (US)

(\*\*) Term: **15 Years**

(21) Appl. No.: **29/681,213**

(22) Filed: **Feb. 22, 2019**

(51) **LOC (12) Cl.** ..... **22-05**

(52) **U.S. Cl.**  
USPC ..... **D22/147**

(58) **Field of Classification Search**  
USPC ..... D6/552, 553, 567, 572; D8/380; D22/109, 147, 148; D25/68; 43/21, 43/21.2; 211/13.1, 60.1, 64, 70.2, 70.6, 211/70.8, 65, 68, 69, 69.8, 89, 94; 248/512, 520, 538, 316.7  
CPC ..... A01K 97/10; A01K 97/12; A01K 97/125; A01K 99/00; A01K 97/08; A47F 7/0021; A47F 7/0035; A47B 81/005; Y10T 70/5009; Y10S 224/922  
See application file for complete search history.

(56) **References Cited**

**U.S. PATENT DOCUMENTS**

D341,463 S \* 11/1993 Booth ..... D3/306  
D376,943 S \* 12/1996 Czyszon ..... D6/567

D419,335 S \* 1/2000 Kopala, Jr. .... D6/672  
D428,848 S \* 8/2000 Wurst ..... D12/223  
D532,216 S \* 11/2006 Calabria ..... D6/678.4  
D539,613 S \* 4/2007 Goodman ..... D19/90  
D566,249 S \* 4/2008 Graves ..... D23/304  
D625,586 S \* 10/2010 Kramer ..... D8/380  
D661,929 S \* 6/2012 Purcell ..... D3/306  
D666,036 S \* 8/2012 Blakley ..... D23/304  
D697,379 S \* 1/2014 Puruganan ..... D7/673  
D699,476 S \* 2/2014 Gonzalez ..... D6/552  
D749,872 S \* 2/2016 Gonzalez ..... D6/552

\* cited by examiner

*Primary Examiner* — Nathan M Johnston

(74) *Attorney, Agent, or Firm* — Boyd D. Cox

(57) **CLAIM**

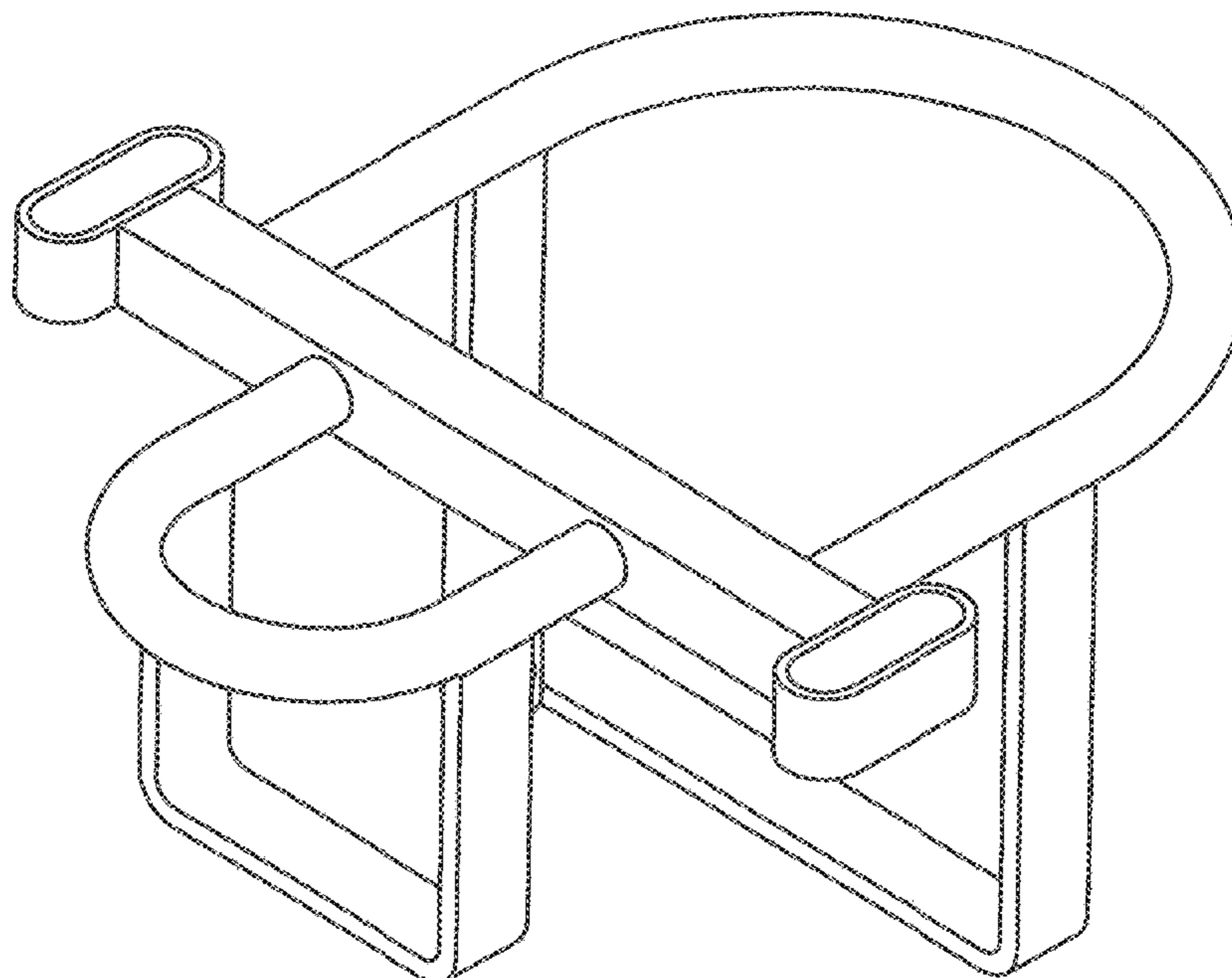
The ornamental design for a fishing equipment mount, as shown.

**DESCRIPTION**

FIG. 1 is a perspective view of the fishing equipment mount of the present invention;  
FIG. 2 is front view of the fishing equipment mount of FIG. 1;  
FIG. 3 is a back view of the fishing equipment mount of FIG. 1;  
FIG. 4 is a left view of the fishing equipment mount of FIG. 1;  
FIG. 5 is a right view of the fishing equipment mount of FIG. 1;  
FIG. 6 is a top view of the fishing equipment mount of FIG. 1; and,  
FIG. 7 is a bottom view of the fishing equipment mount of FIG. 1.

The broken lines show portions of the design that form no part of the claimed design.

**1 Claim, 7 Drawing Sheets**



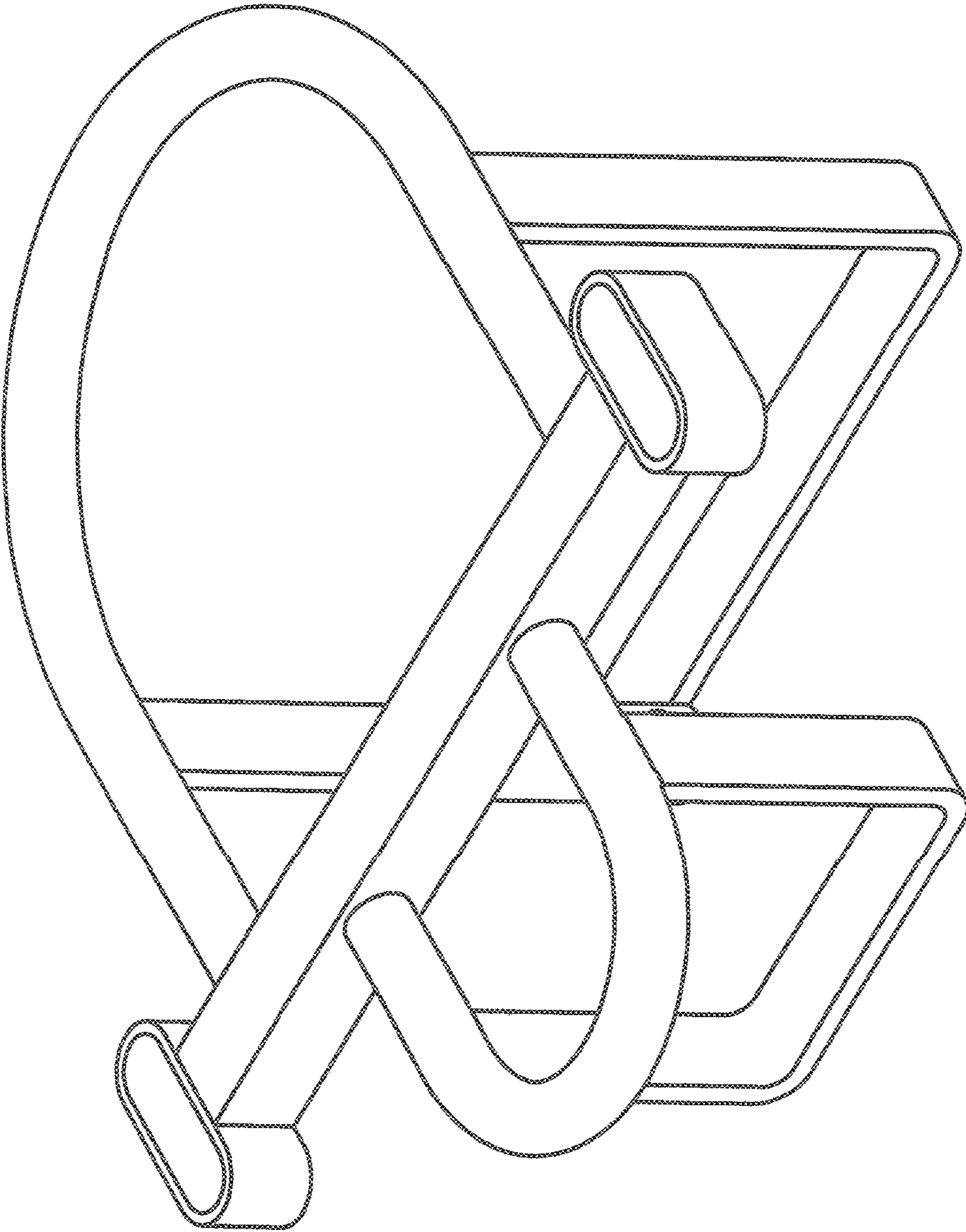


FIG. 1

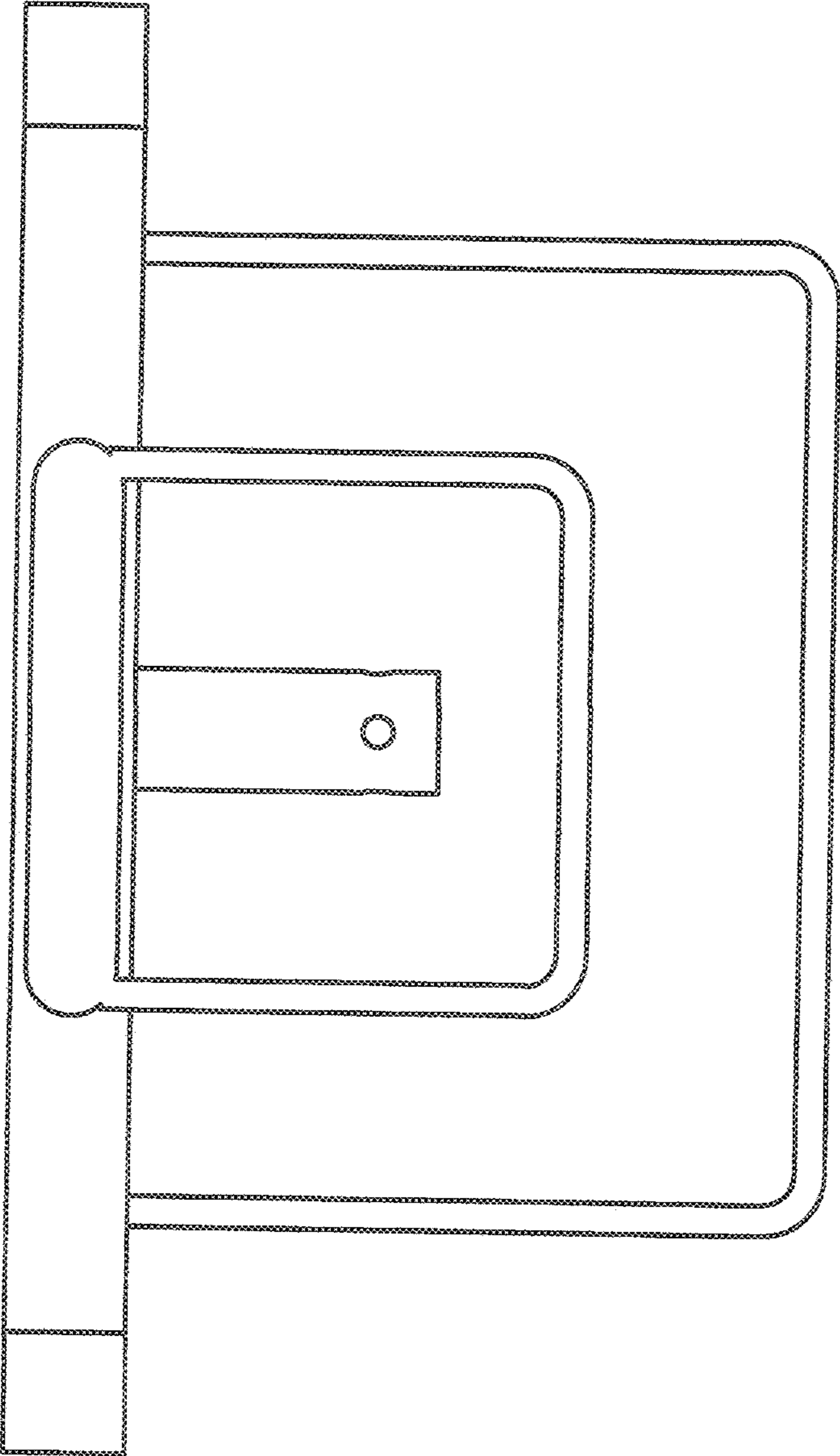


FIG. 2

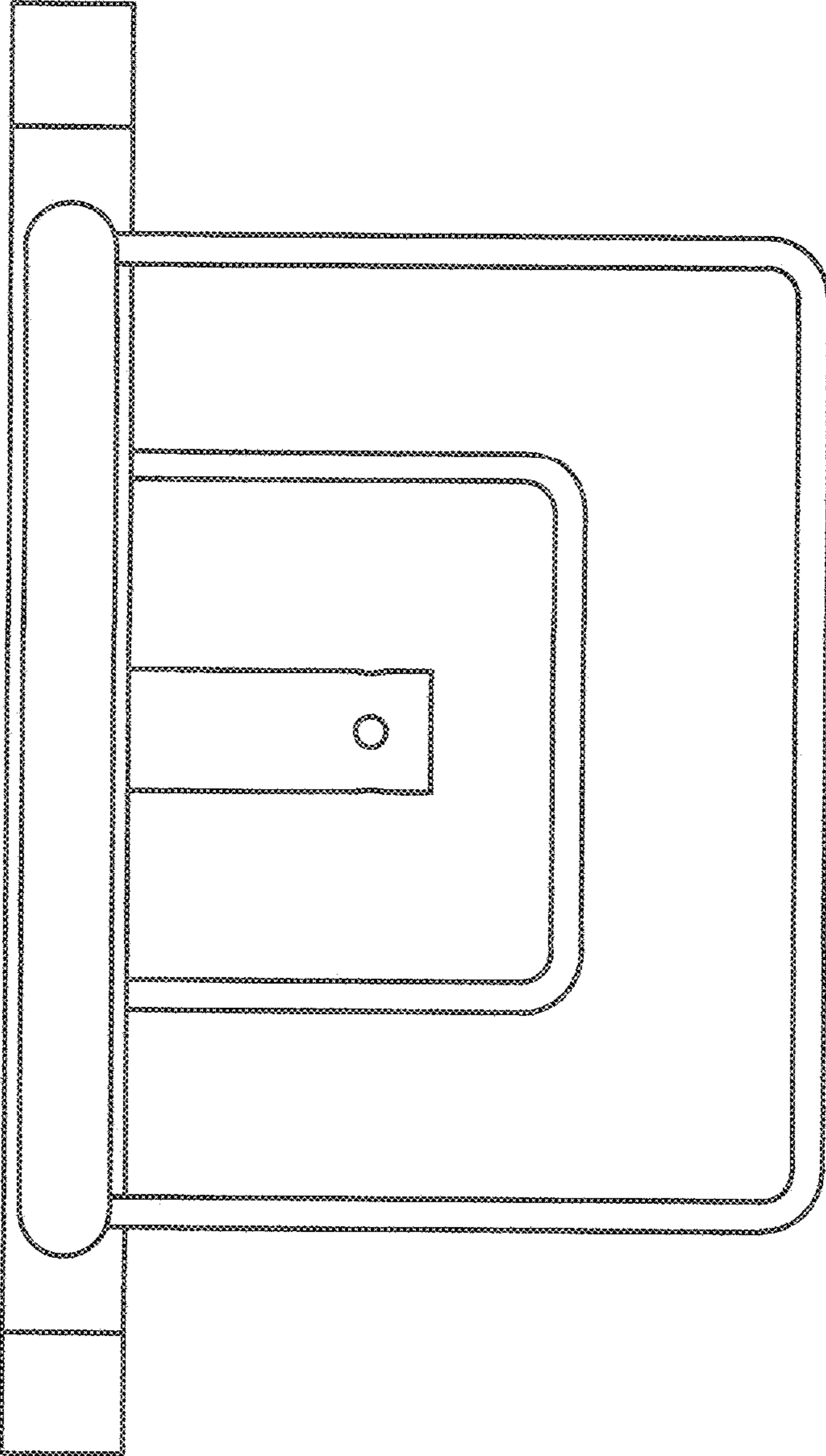


FIG. 3

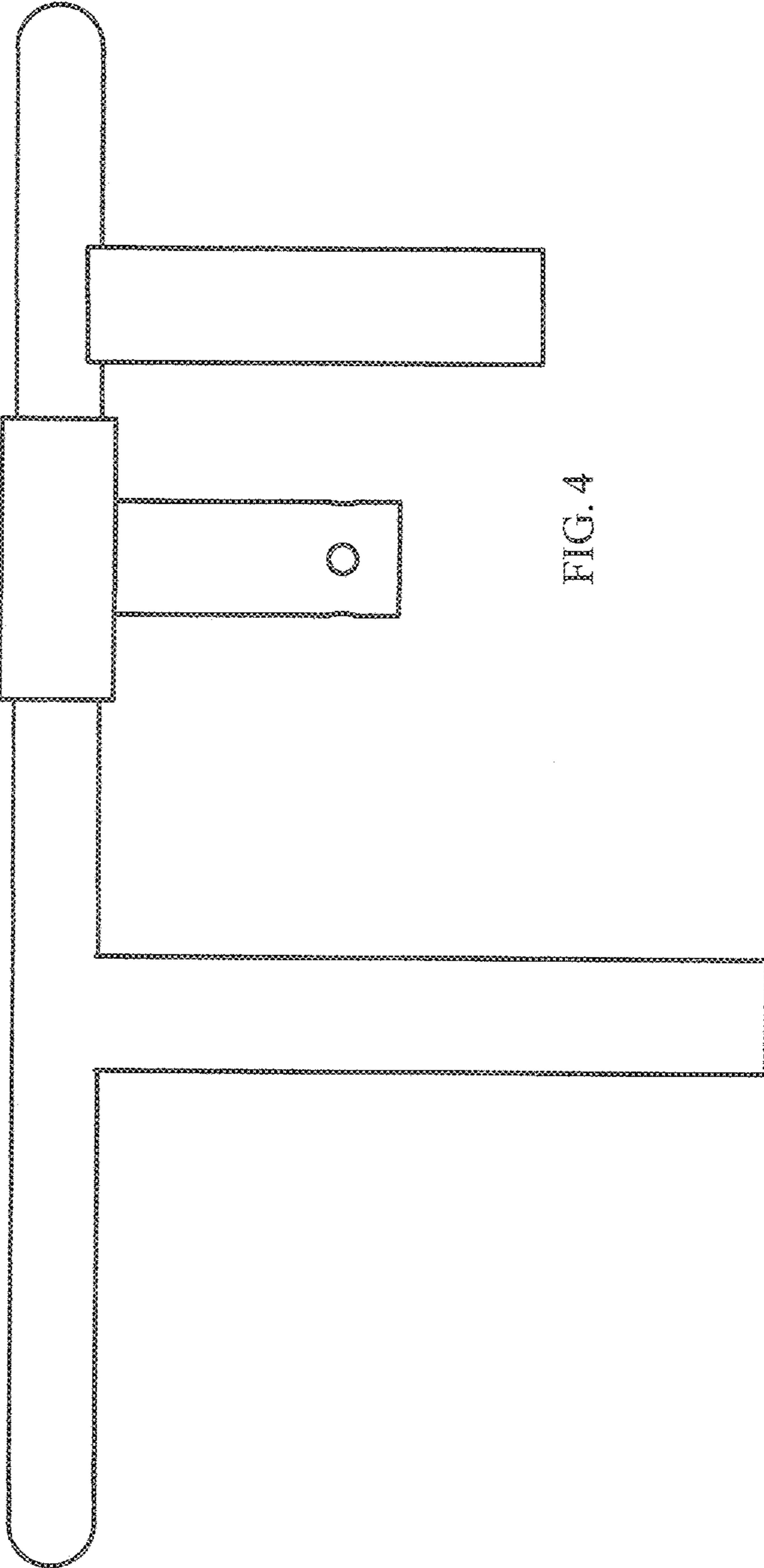


FIG. 4

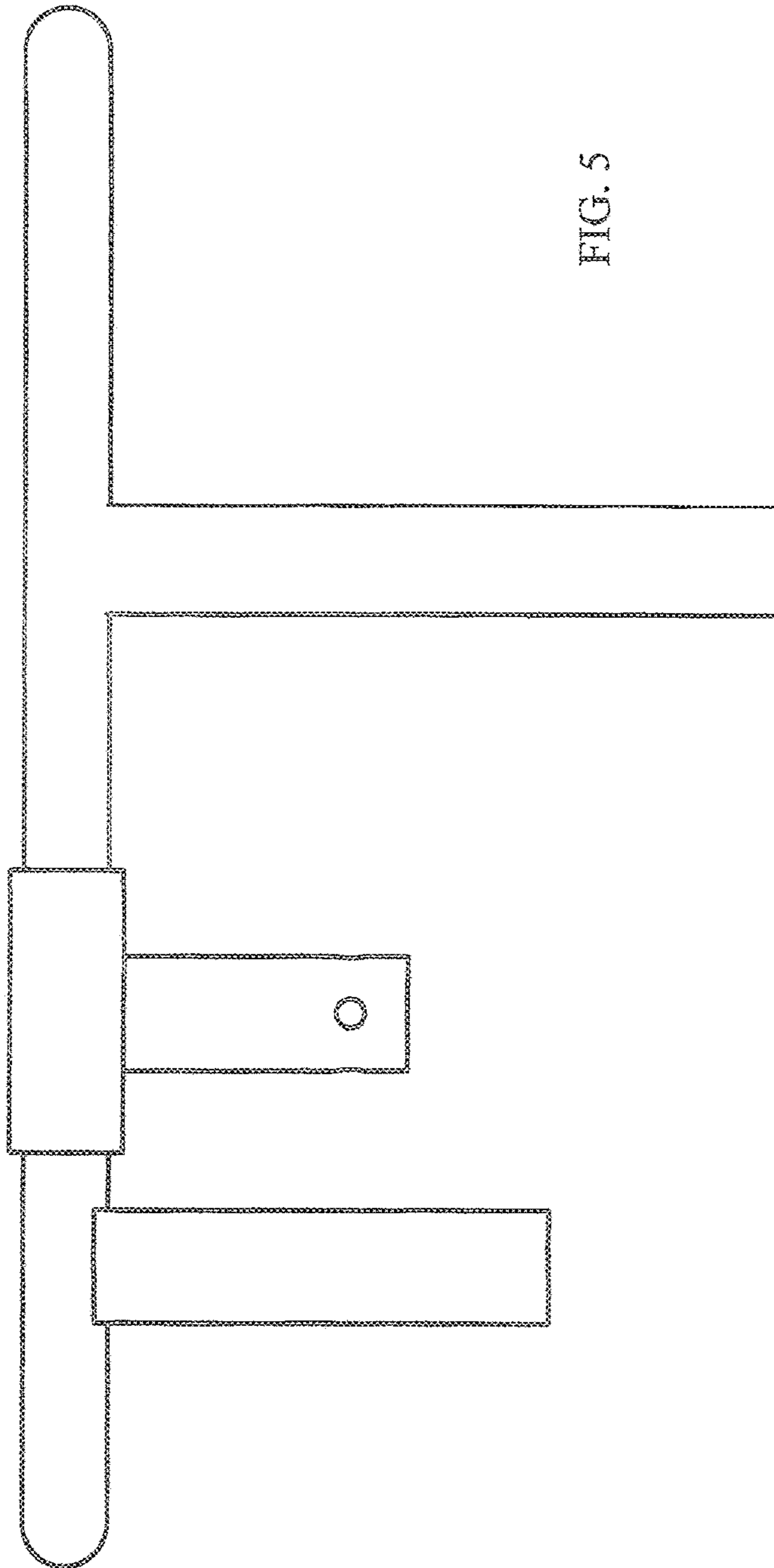


FIG. 5

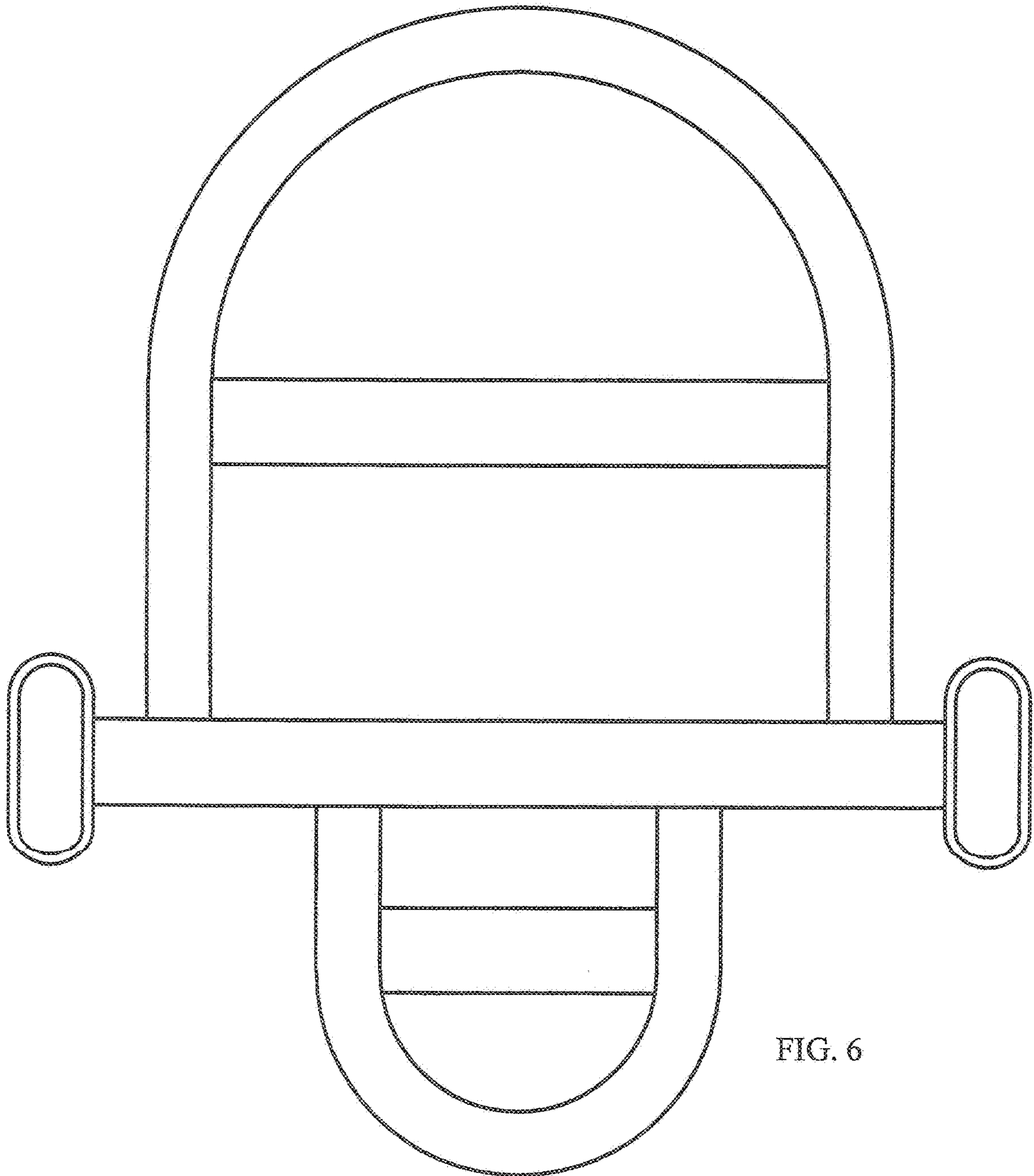


FIG. 6

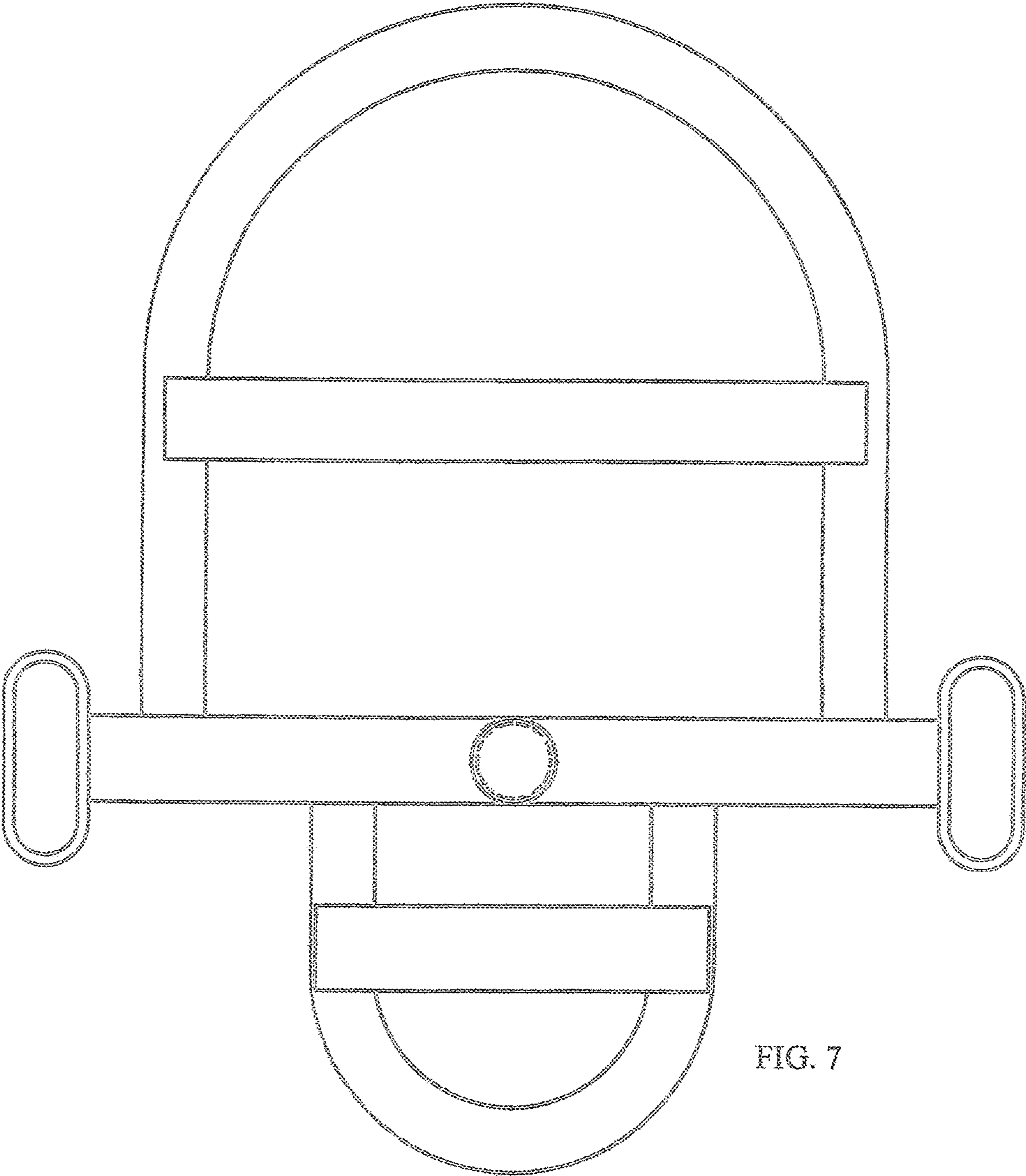


FIG. 7