



US00D904554S

(12) **United States Design Patent**
Coleman

(10) **Patent No.:** **US D904,554 S**

(45) **Date of Patent:** **** Dec. 8, 2020**

(54) **JIG HEAD FOR FISHING LURE**

(71) Applicant: **Maxrapp LLC**, Harrison Township, MI (US)

(72) Inventor: **Michael Coleman**, Harrison Township, MI (US)

(73) Assignee: **Maxrapp LLC**, Harrison Township, MI (US)

(**) Term: **15 Years**

(21) Appl. No.: **29/701,245**

(22) Filed: **Aug. 9, 2019**

(51) **LOC (12) Cl.** **22-05**

(52) **U.S. Cl.**
USPC **D22/144**

(58) **Field of Classification Search**
USPC D22/144; 43/42.37, 42.41, 42.35, 42.2, 43/42.6, 42.25, 42.13, 42.19, 17.6, 42.34, 43/42.31, 42.52, 42.39, 44.8, 44.81
CPC A01K 85/00; A01K 85/08; A01K 85/16
See application file for complete search history.

(56) **References Cited**

U.S. PATENT DOCUMENTS

1,768,033	A *	6/1930	Deatz	A01K 85/02 43/42.4
2,651,133	A *	9/1953	Sharps	A01K 85/08 43/42.37
D425,599	S *	5/2000	Lummis	D22/133
D649,219	S *	11/2011	Huntoon	D22/144

D667,921	S *	9/2012	Erbeck	D22/144
D754,810	S *	4/2016	Gibson	D22/144
D769,405	S *	10/2016	Johnson	D22/144
D835,749	S *	12/2018	Harter	D22/144
D857,154	S *	8/2019	Robinson	D22/144
2010/0199544	A1 *	8/2010	Frisch	A01M 23/005 43/81

* cited by examiner

Primary Examiner — Catherine R Oliver-Garcia
(74) *Attorney, Agent, or Firm* — Fishman Stewart PLLC

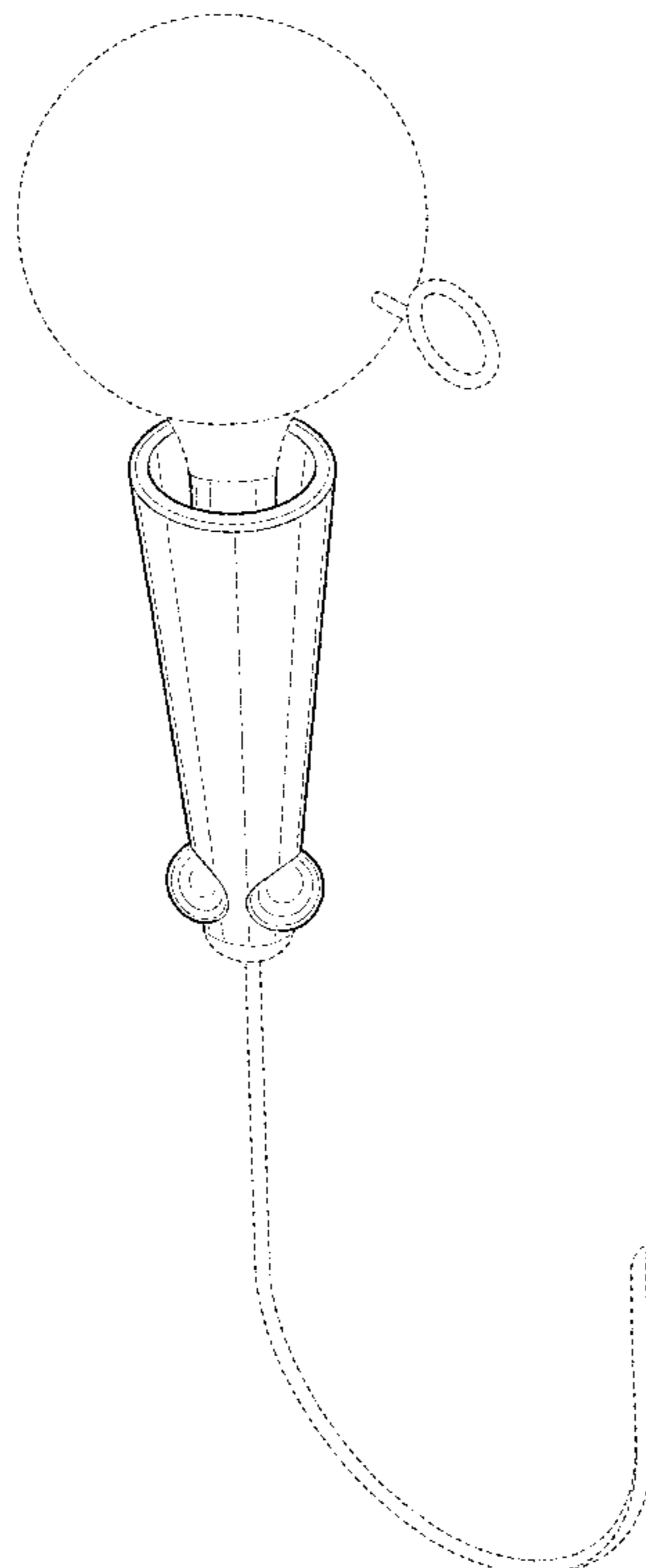
(57) **CLAIM**

The ornamental design for a jig head for fishing lure, as shown and described.

DESCRIPTION

FIG. 1 is a top perspective view of a jig head for fishing lure; FIG. 2 is a left side view of a jig head for fishing lure, with the right side view being a mirror image thereof; FIG. 3 is a front view of a jig head for fishing lure; FIG. 4 is a rear view of a jig head for fishing lure; FIG. 5 is a top view of a jig head for fishing lure; and, FIG. 6 is a bottom view of a jig head for fishing lure. The broken lines (dot-dot) in the drawings illustrate portions of the jig head for fishing lure or the environment incorporating the jig head for fishing lure that form no part of the claimed design. The broken lines (dash-dot-dash) immediately adjacent to the shaded area in FIGS. 1-4 represents unclaimed boundaries of the design. The solid lines forming concentric circles that are surrounded by broken lines (dot-dot) in FIG. 5 illustrate portions of the jig head for fishing lure which lies beneath the broken lines.

1 Claim, 4 Drawing Sheets



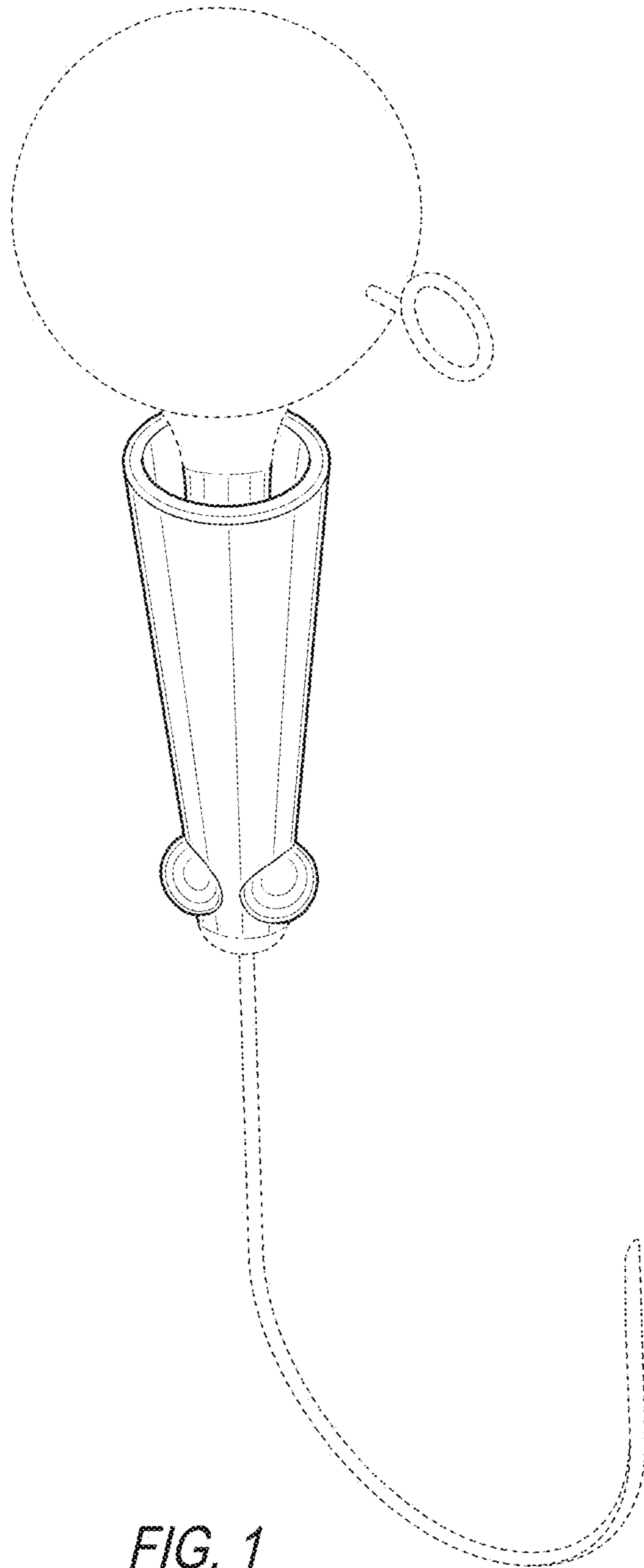


FIG. 1

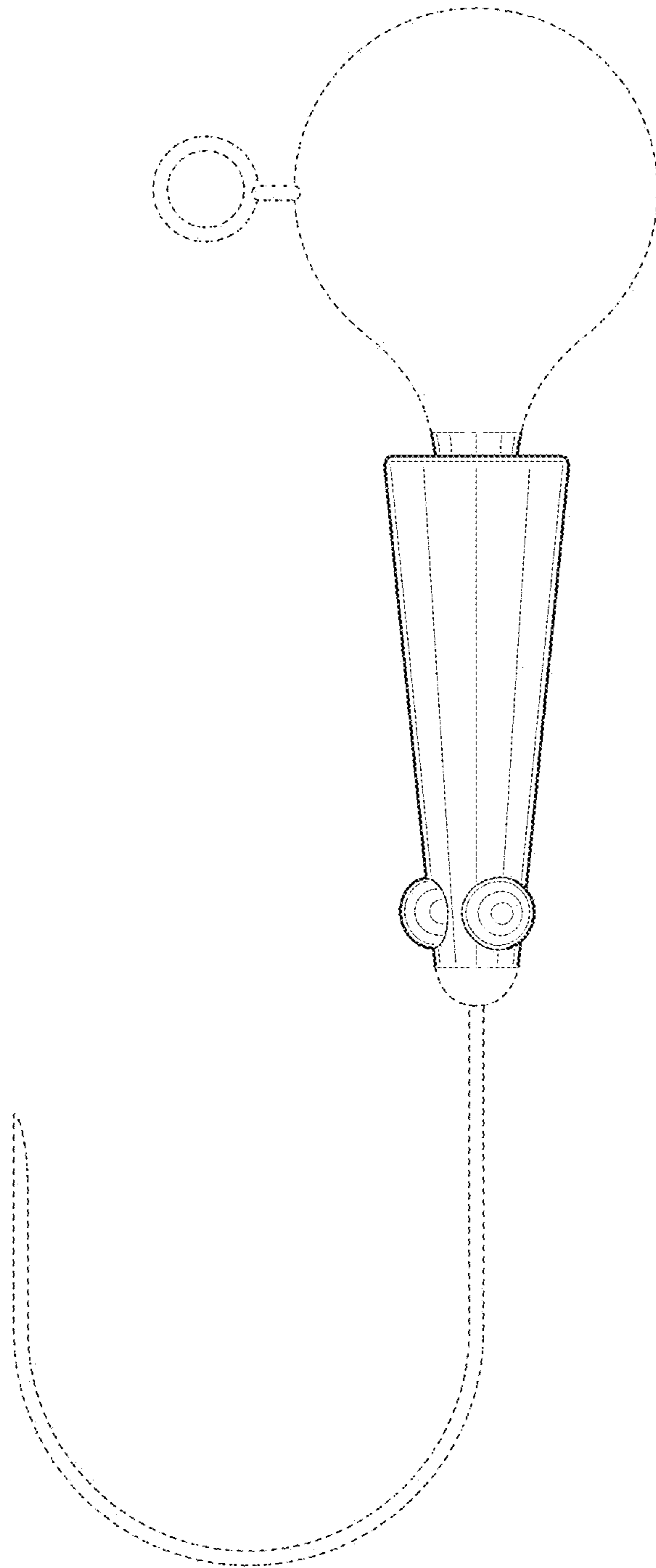


FIG. 2

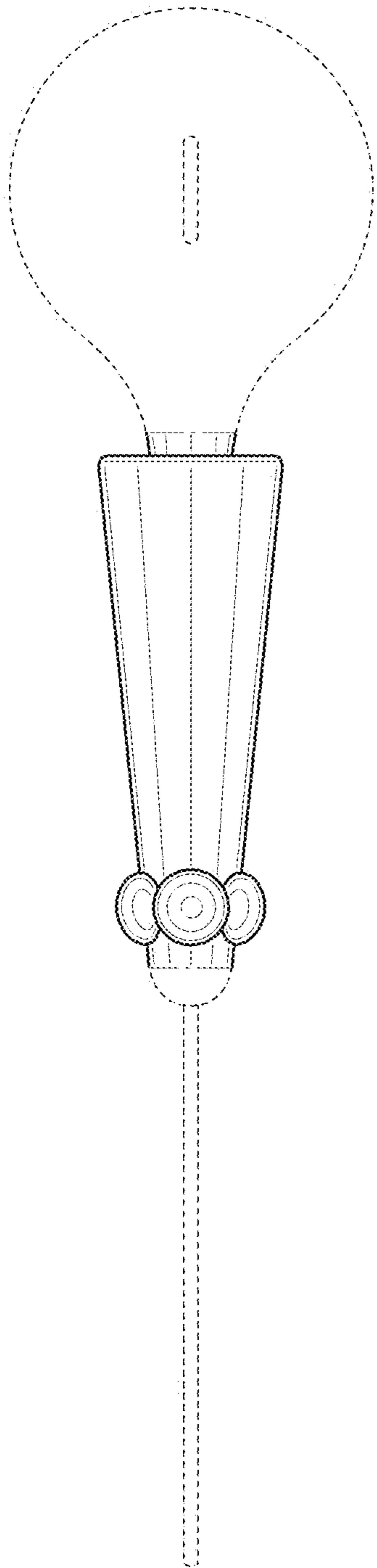


FIG. 3

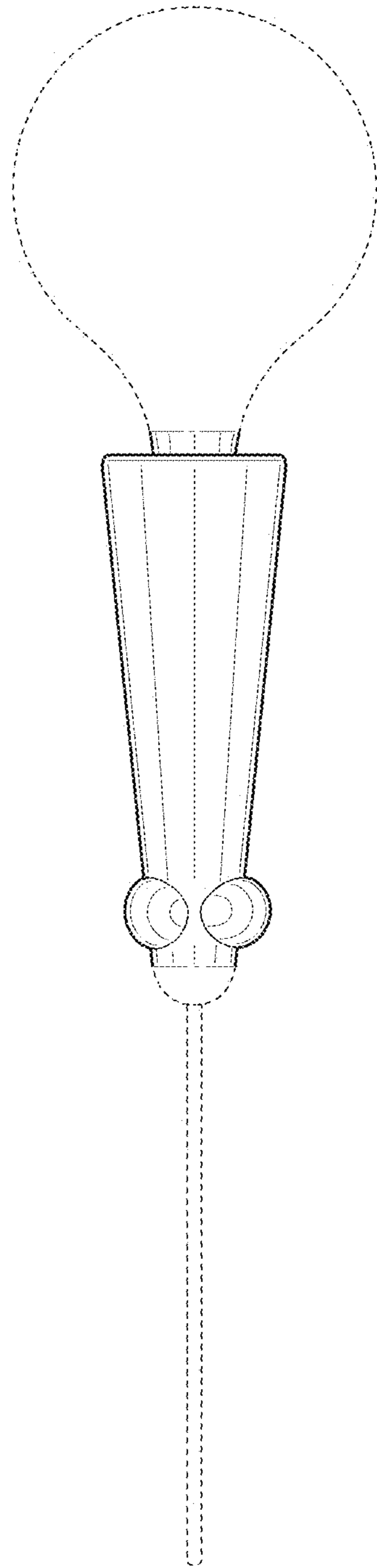


FIG. 4

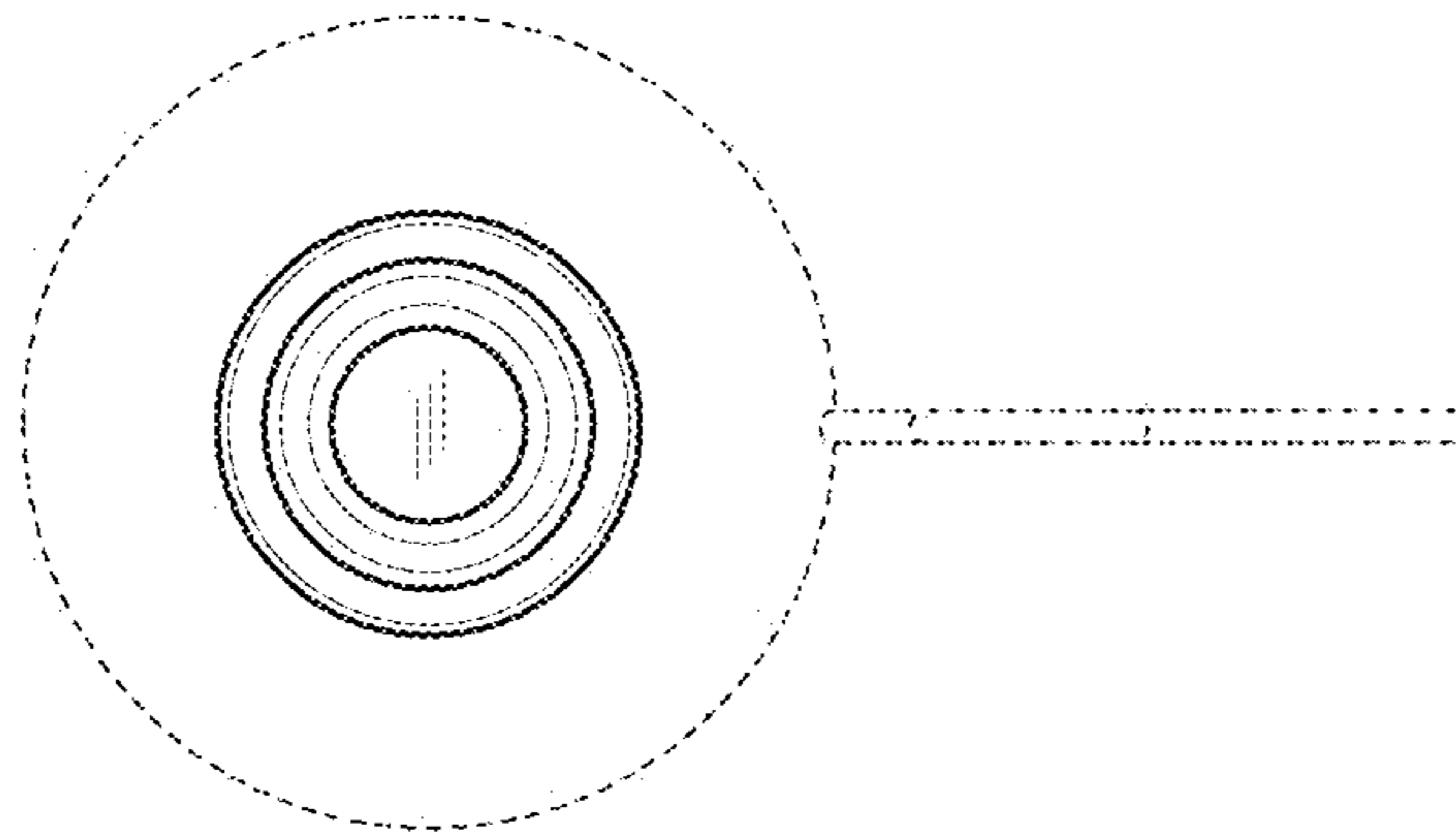


FIG. 5

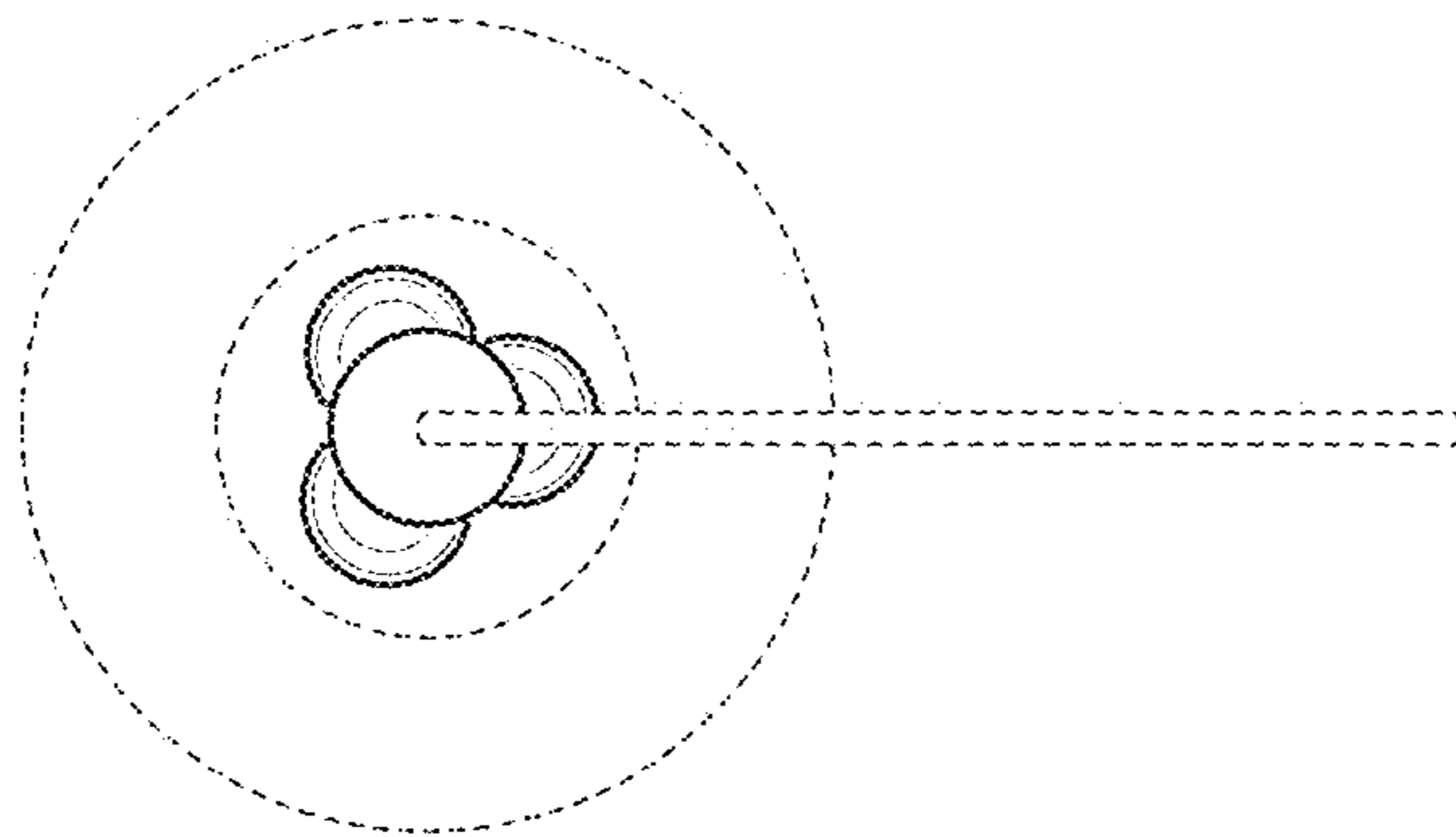


FIG. 6