



US00D904552S

(12) **United States Design Patent** (10) **Patent No.:** **US D904,552 S**
Kaps et al. (45) **Date of Patent:** **** *Dec. 8, 2020**

(54) **BIRD AND PEST DETERRENT / REPELLENT DEVICE WITH ROTATABLE SPIKES MEMBERS**

(71) Applicants: **Thomas Kaps**, Jackson, NJ (US); **Paul Rosario**, Bayville, NJ (US)

(72) Inventors: **Thomas Kaps**, Jackson, NJ (US); **Paul Rosario**, Bayville, NJ (US)

(*) Notice: This patent is subject to a terminal disclaimer.

(**) Term: **15 Years**

(21) Appl. No.: **29/609,042**

(22) Filed: **Jun. 28, 2017**

(51) **LOC (12) Cl.** **22-06**

(52) **U.S. Cl.**
USPC **D22/120**

(58) **Field of Classification Search**
USPC D22/120; 43/1, 58, 112-114, 119, 132.1, 43/137; 367/139; D25/38.1; 52/101, 52/107; 119/537, 713, 903, 963; D11/164
CPC A01M 29/26; A01M 29/32; A01M 29/28; A01M 2200/012

See application file for complete search history.

(56) **References Cited**

U.S. PATENT DOCUMENTS

- 6,250,023 B1 * 6/2001 Donoho A01M 29/26 52/101
- D546,410 S * 7/2007 Wiesener D22/120
- D672,425 S * 12/2012 Mayers D22/120
- 8,359,791 B1 * 1/2013 Nixon A01M 29/32 52/101
- D693,899 S 11/2013 Donoho et al.
- D703,785 S * 4/2014 McKenna D22/120

- D813,976 S * 3/2018 Balistreri D22/120
- D828,485 S * 9/2018 Finkelstein D22/120
- 10,278,381 B2 * 5/2019 Bowman A01M 29/32
- D888,607 S * 6/2020 Thomasson D11/164
- 2005/0160685 A1 7/2005 Donoho
- 2007/0180781 A1 8/2007 Donoho
- 2009/0249710 A1 10/2009 Donoho
- 2011/0214618 A1 * 9/2011 Donoho E04D 13/004 119/713
- 2013/0000221 A1 1/2013 Donoho
- 2013/0291451 A1 11/2013 Donoho
- 2014/0041318 A1 * 2/2014 Donoho B29C 45/00 52/101
- 2016/0135445 A1 5/2016 Donoho

OTHER PUBLICATIONS

Stainless Steel Pigeon Spikes, Bird.B.Gone (Year: 2020).*

* cited by examiner

Primary Examiner — Catherine R Oliver-Garcia
(74) *Attorney, Agent, or Firm* — Goldstein Law Offices, P.C.

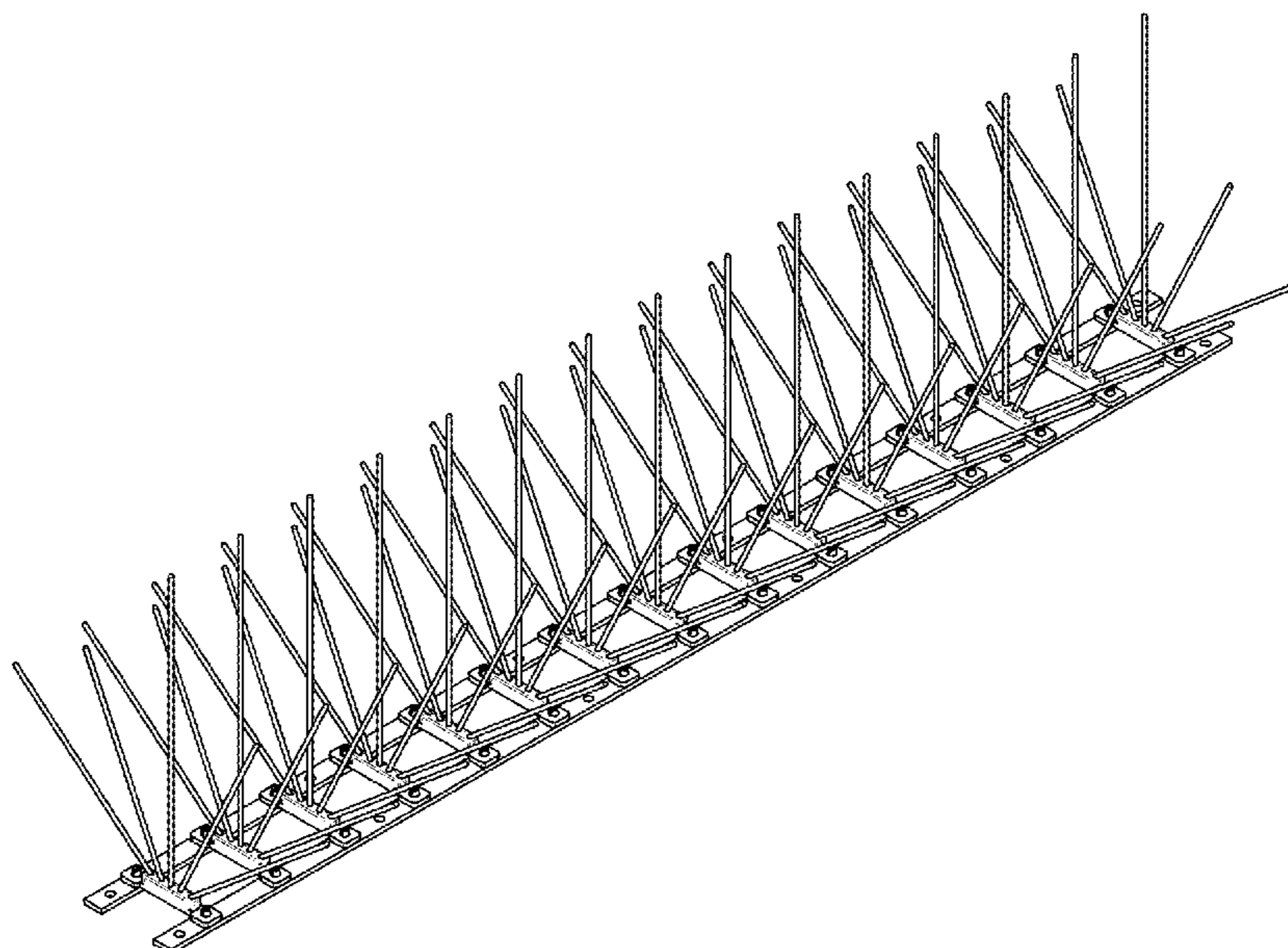
(57) **CLAIM**

The ornamental design for a bird and pest deterrent/repellent device with rotatable spike members, as shown and described.

DESCRIPTION

FIG. 1 is a perspective view of a bird and pest deterrent/repellent device with rotatable spike members.
FIG. 2 is a right side elevation view thereof.
FIG. 3 is a left side elevation view thereof.
FIG. 4 is a top plan view thereof.
FIG. 5 is a bottom plan view thereof.
FIG. 6 is a rear elevation view thereof; and,
FIG. 7 is a front elevation view thereof.

1 Claim, 4 Drawing Sheets



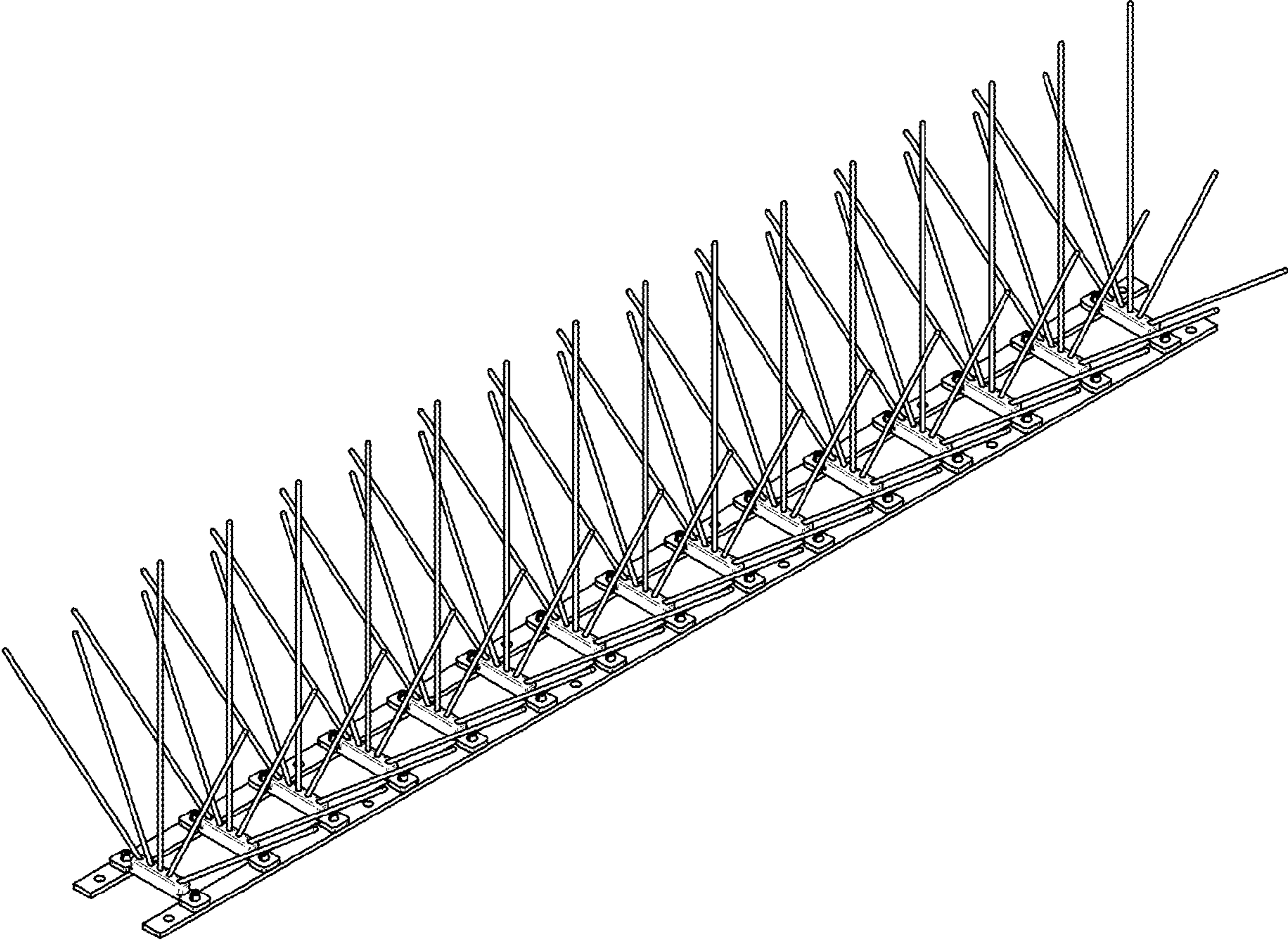


FIG. 1

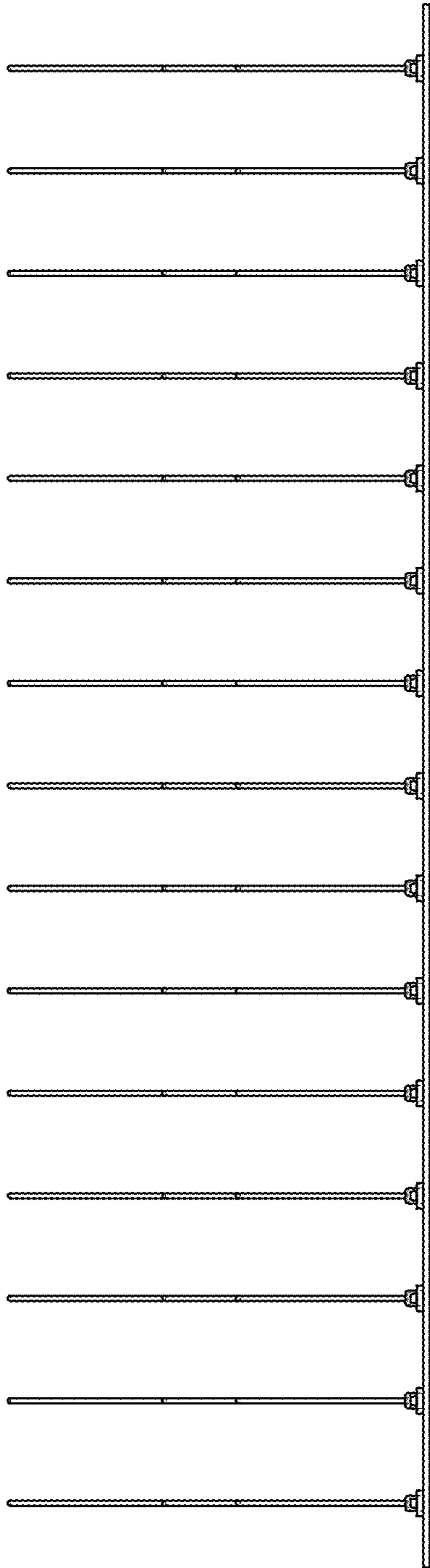


FIG. 2

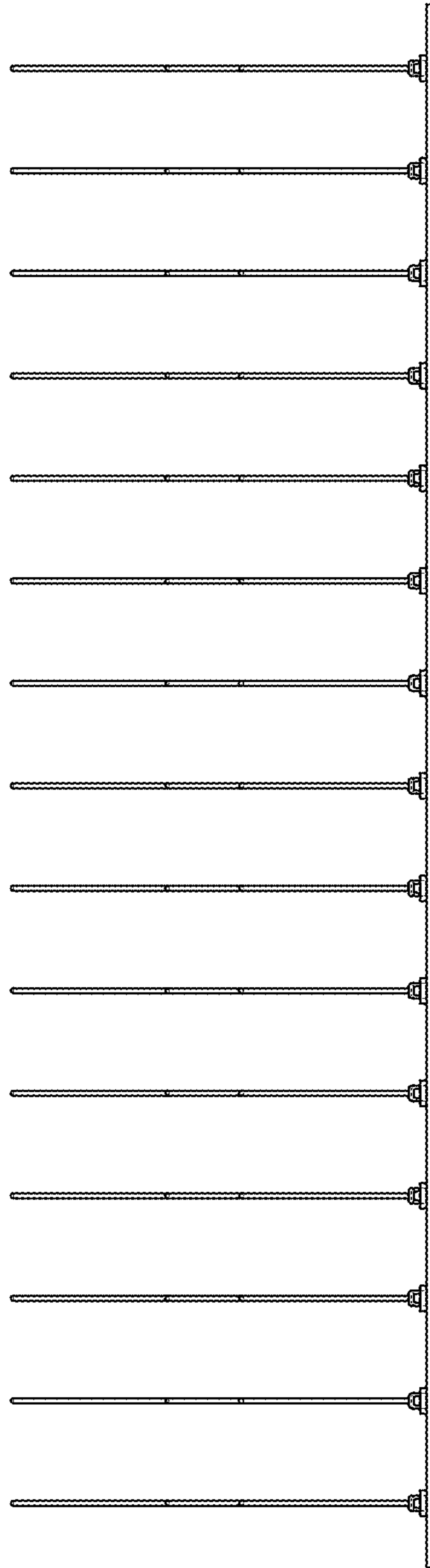


FIG. 3

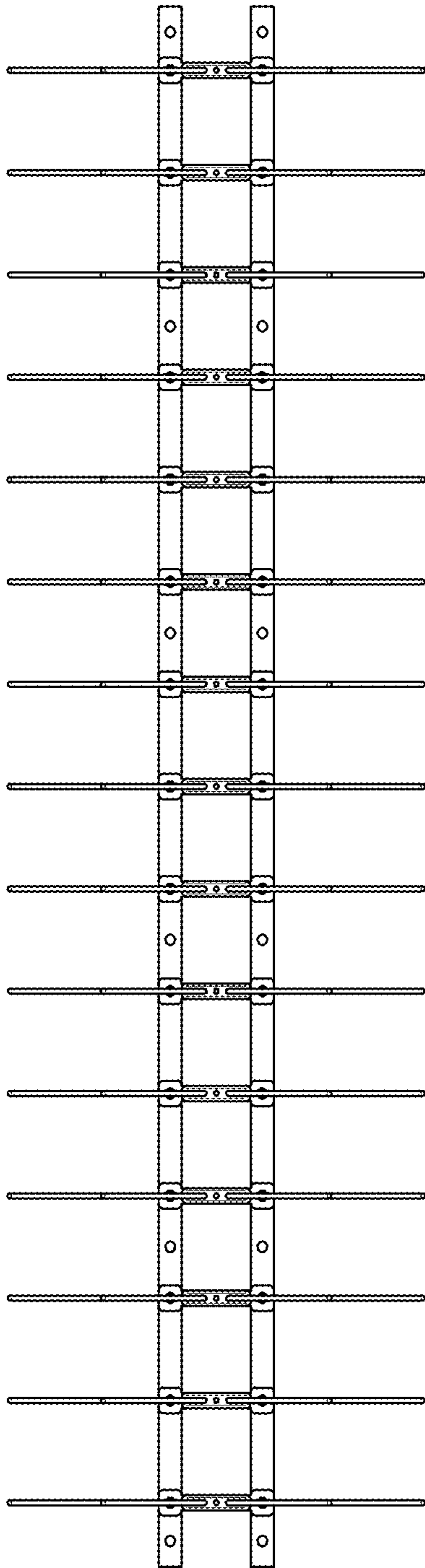


FIG. 4

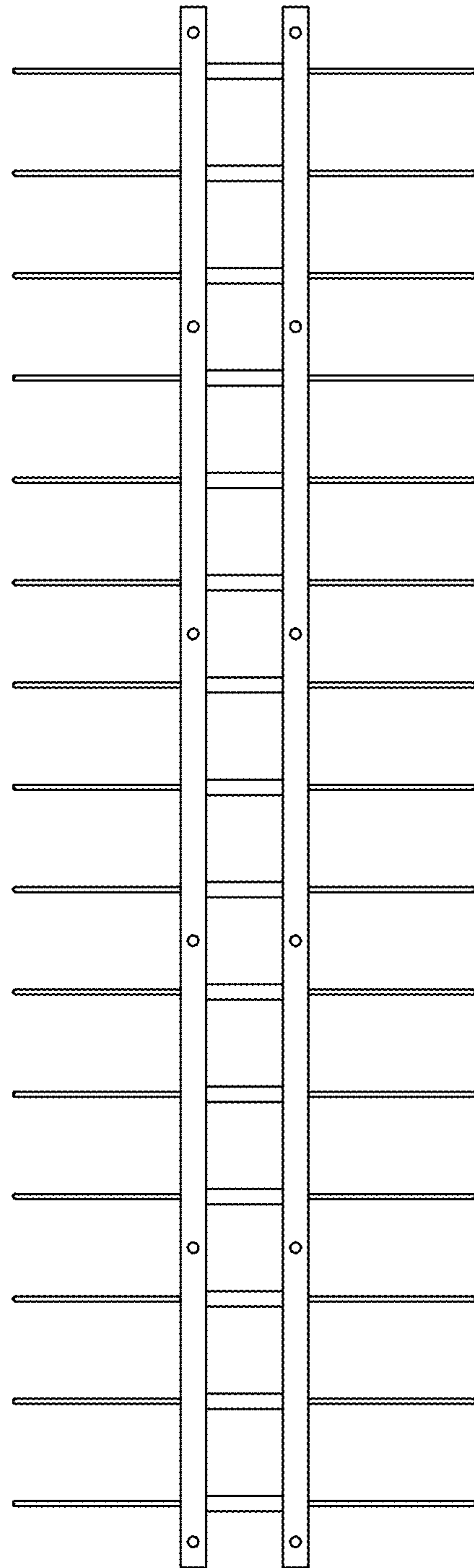


FIG. 5

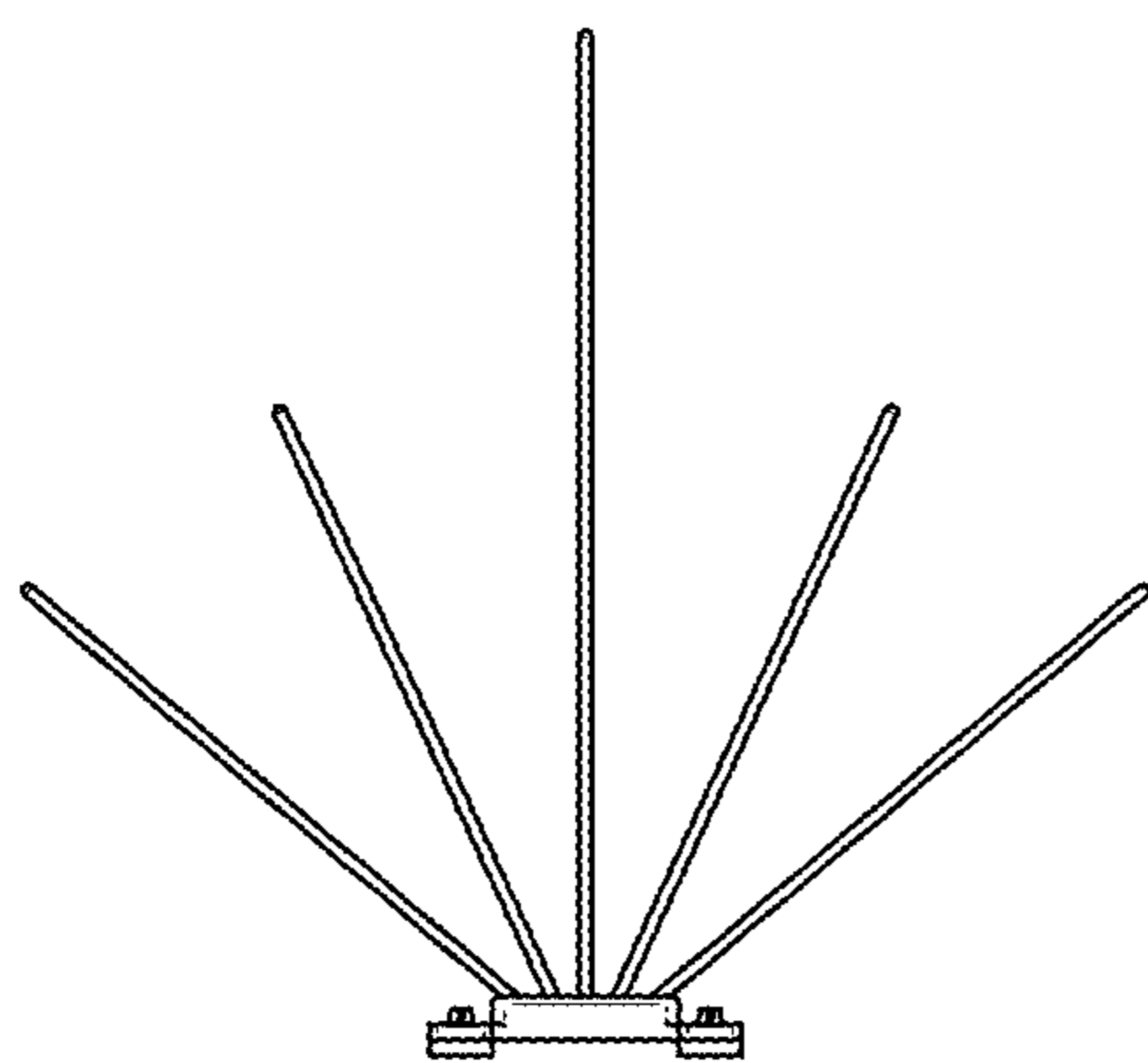


FIG. 6

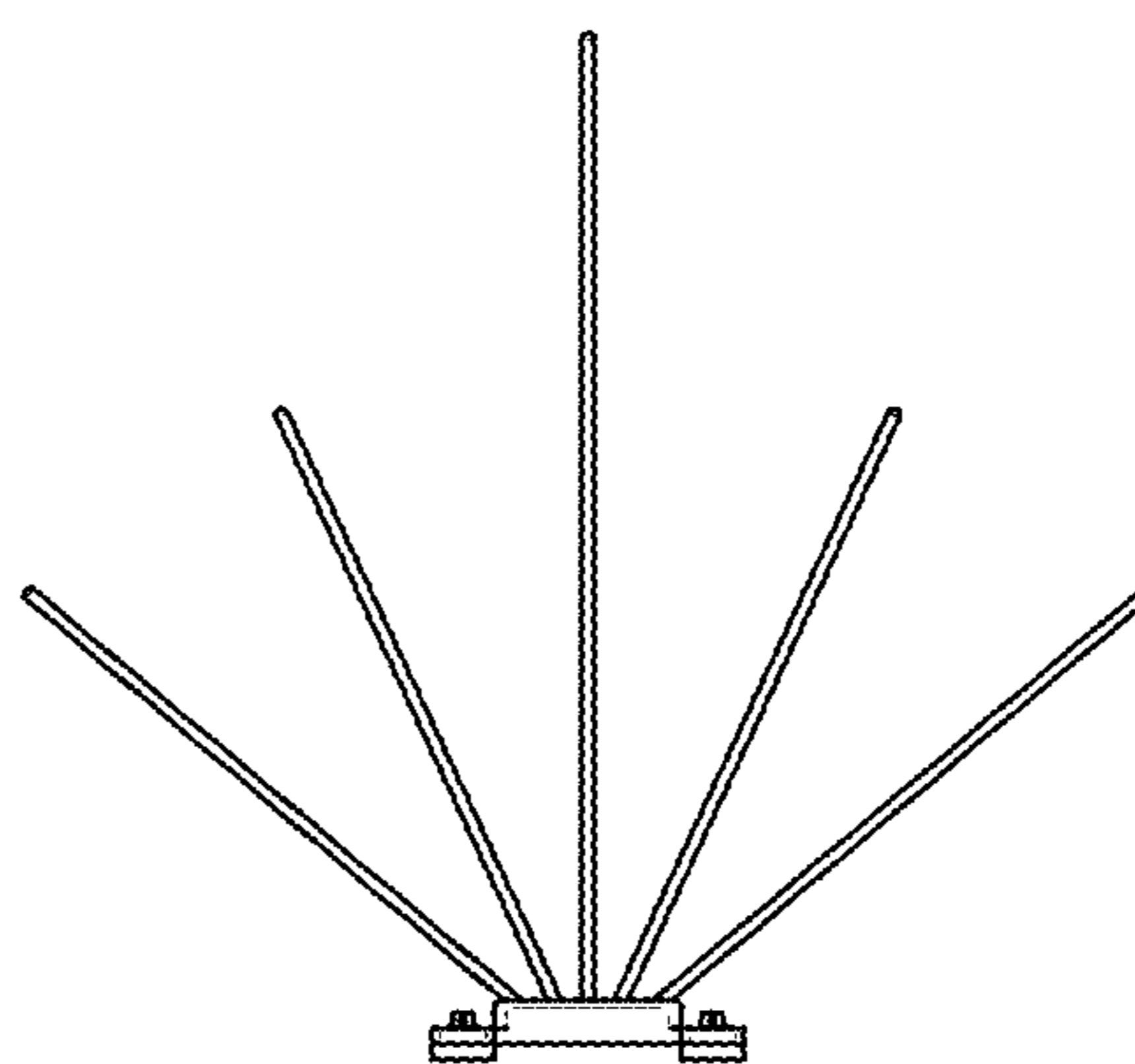


FIG. 7