



US00D904549S

(12) **United States Design Patent**  
**Storch**

(10) **Patent No.:** **US D904,549 S**

(45) **Date of Patent:** **\*\* Dec. 8, 2020**

(54) **FIREARM SIGHT**

D873,947 S \* 1/2020 Shelton ..... D22/109  
D878,510 S \* 3/2020 Chavez ..... D22/109  
D883,423 S \* 5/2020 Shelton ..... D22/109

(71) Applicant: **Midwest Industries, Inc.**, Waukesha,  
WI (US)

(72) Inventor: **Troy Storch**, Wales, WI (US)

(73) Assignee: **Midwest Industries, Inc.**, Waukesha,  
WI (US)

(\*\*) Term: **15 Years**

(21) Appl. No.: **29/698,944**

(22) Filed: **Jul. 22, 2019**

(51) **LOC (12) Cl.** ..... **22-01**

(52) **U.S. Cl.**  
USPC ..... **D22/109**

(58) **Field of Classification Search**  
USPC ..... D22/108–109  
CPC . F41G 11/003; F41G 1/00; F41G 1/16; F41G  
1/345

See application file for complete search history.

(56) **References Cited**

**U.S. PATENT DOCUMENTS**

D588,228 S \* 3/2009 Swan ..... D22/109  
D631,934 S \* 2/2011 Daniel ..... D22/109  
9,448,035 B2 \* 9/2016 Wilson ..... F41G 11/003  
D807,463 S \* 1/2018 Warensford ..... D22/109  
D851,203 S \* 6/2019 Ding ..... D22/109

**OTHER PUBLICATIONS**

Railscales Leaf Iron Sights—Made for PEQ Sights—<https://railscales.us/leaf-peq-iron-sights/> pp. 1-4, printed on Aug. 22, 2019.

\* cited by examiner

*Primary Examiner* — Michael A. Pratt

(74) *Attorney, Agent, or Firm* — Boyle Fredrickson S.C.

(57) **CLAIM**

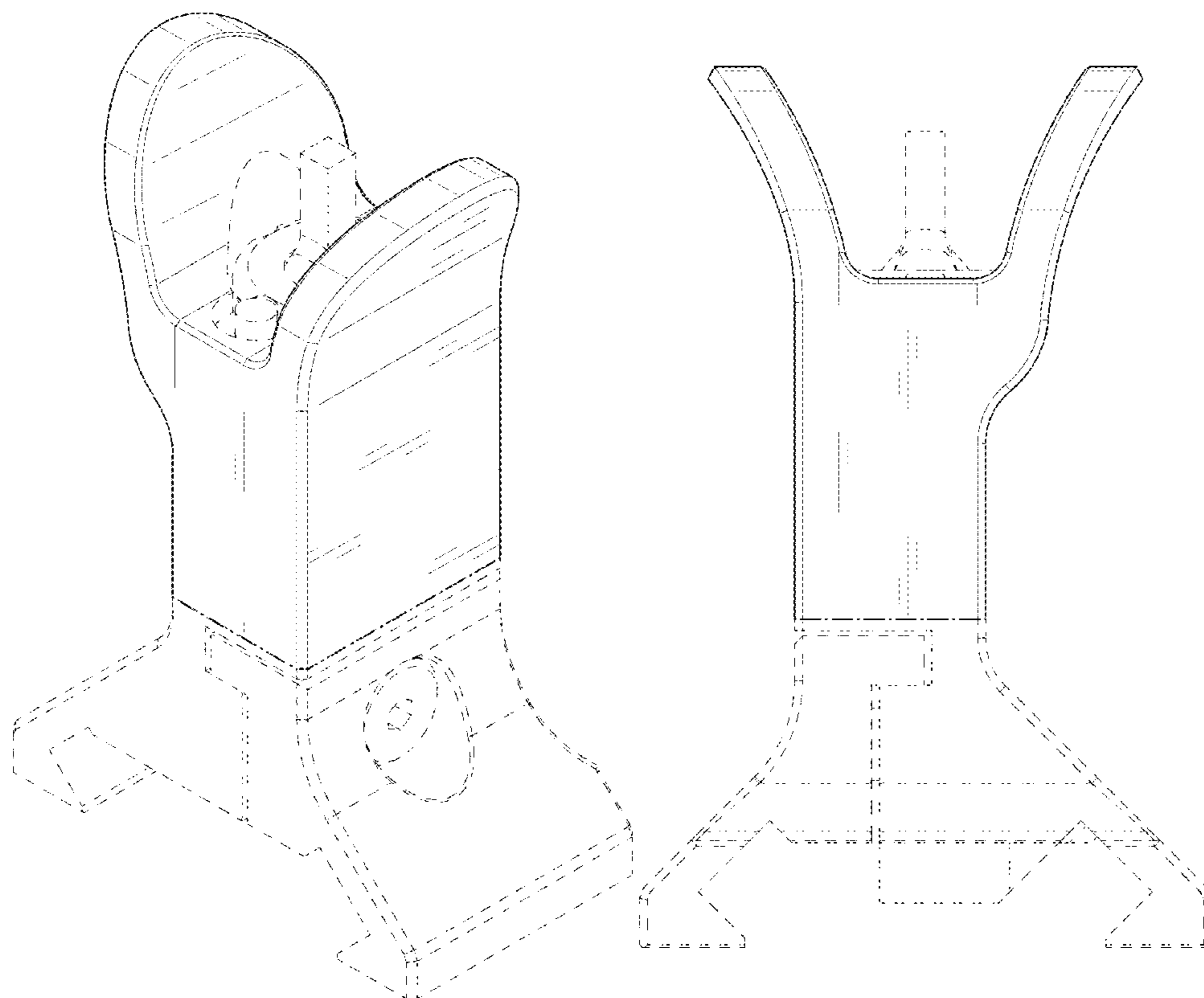
The ornamental design for a firearm sight, as shown and described.

**DESCRIPTION**

FIG. 1 is a front upper left perspective view of a firearm sight, showing my new design;  
FIG. 2 is a front elevation thereof;  
FIG. 3 is a rear elevation view thereof;  
FIG. 4 is a left side elevation view thereof;  
FIG. 5 is a right side elevation view thereof;  
FIG. 6 is a top plan view thereof; and,  
FIG. 7 is a bottom plan view thereof.

The broken lines in FIGS. 1-7 form no part of the claimed design and include dot-dashed lines that define the bounds of the claimed design and dashed lines that illustrate portions of the firearm sight that form no part of the claimed design.

**1 Claim, 7 Drawing Sheets**



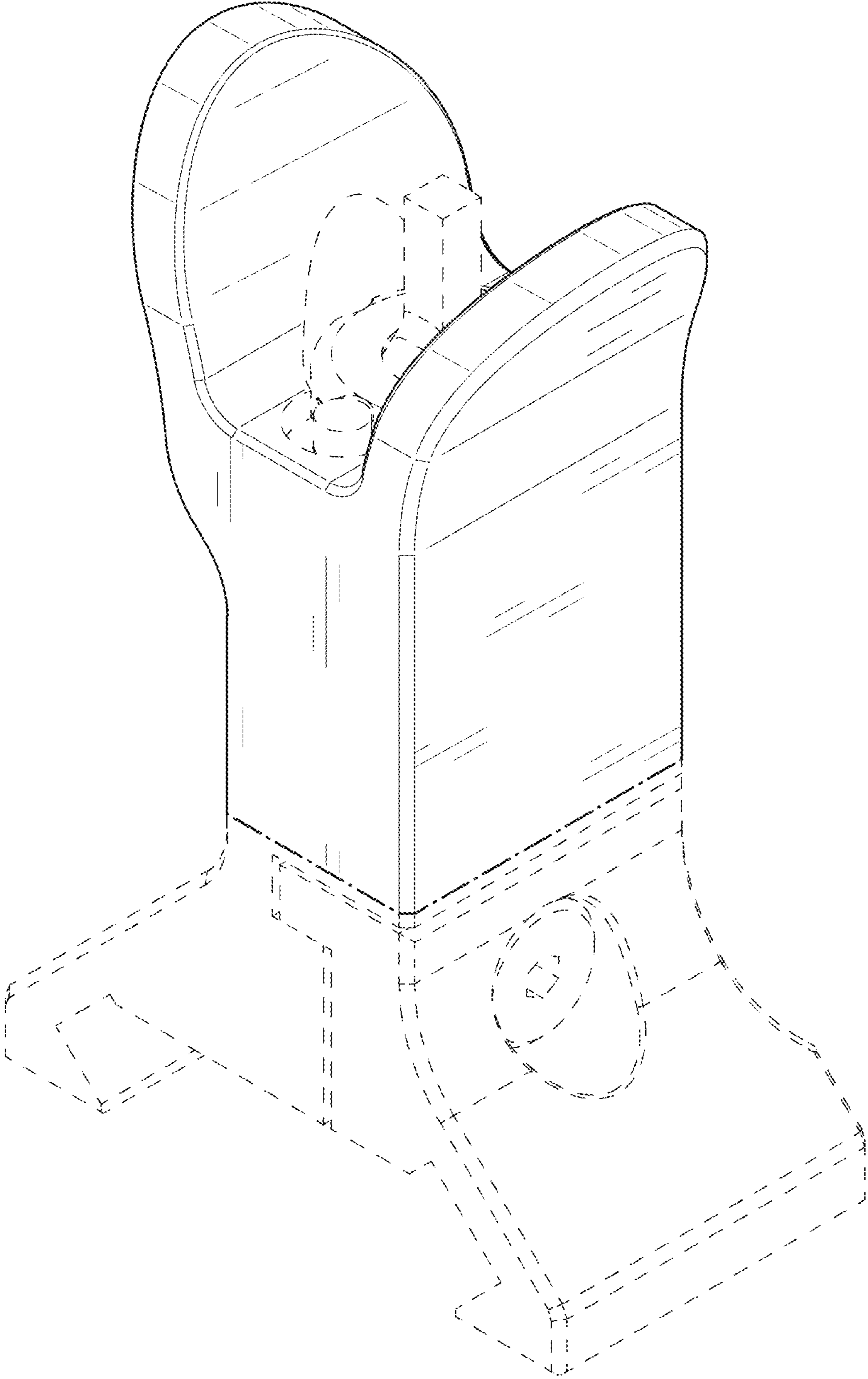


FIG. 1

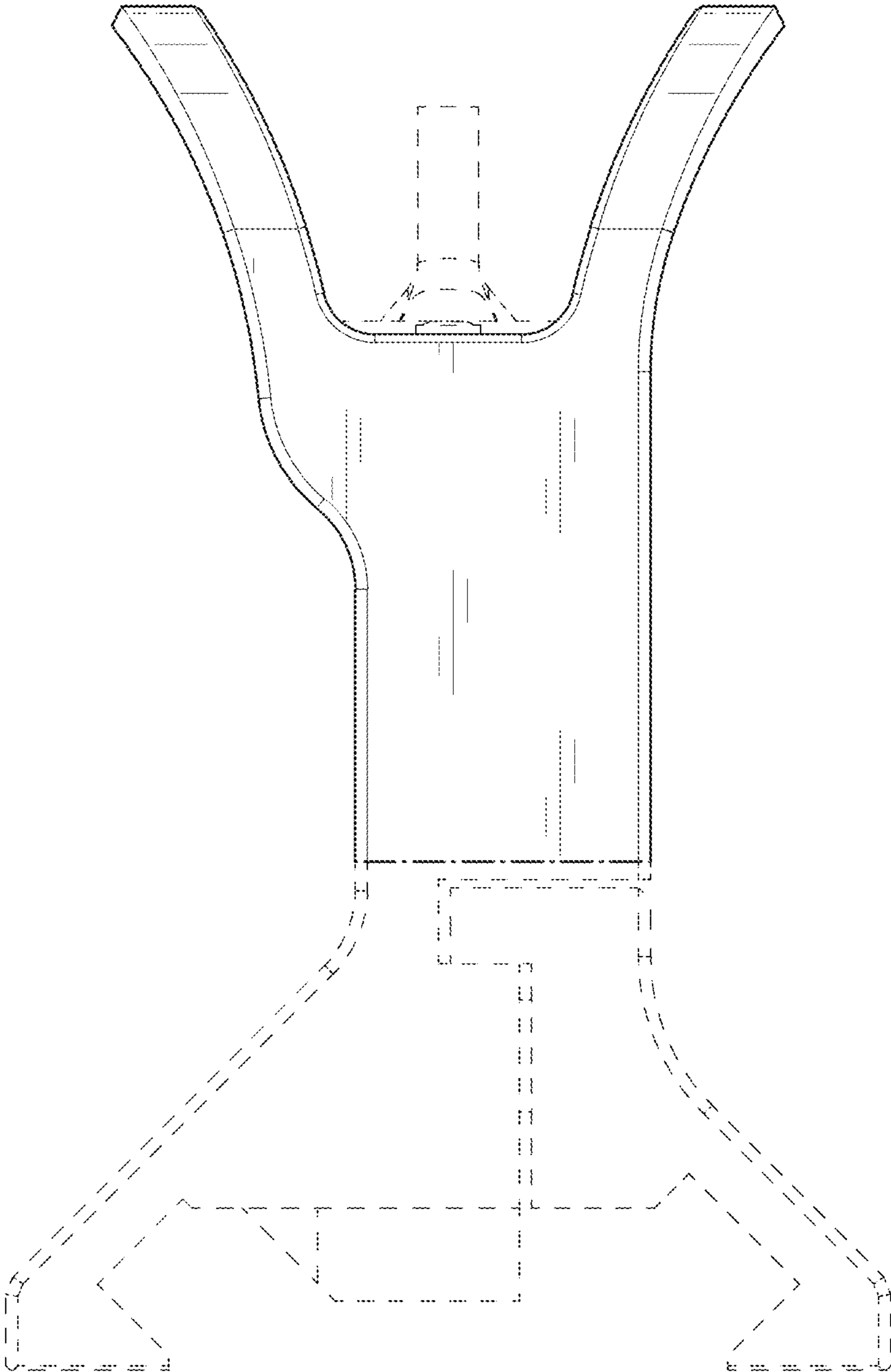


FIG. 2

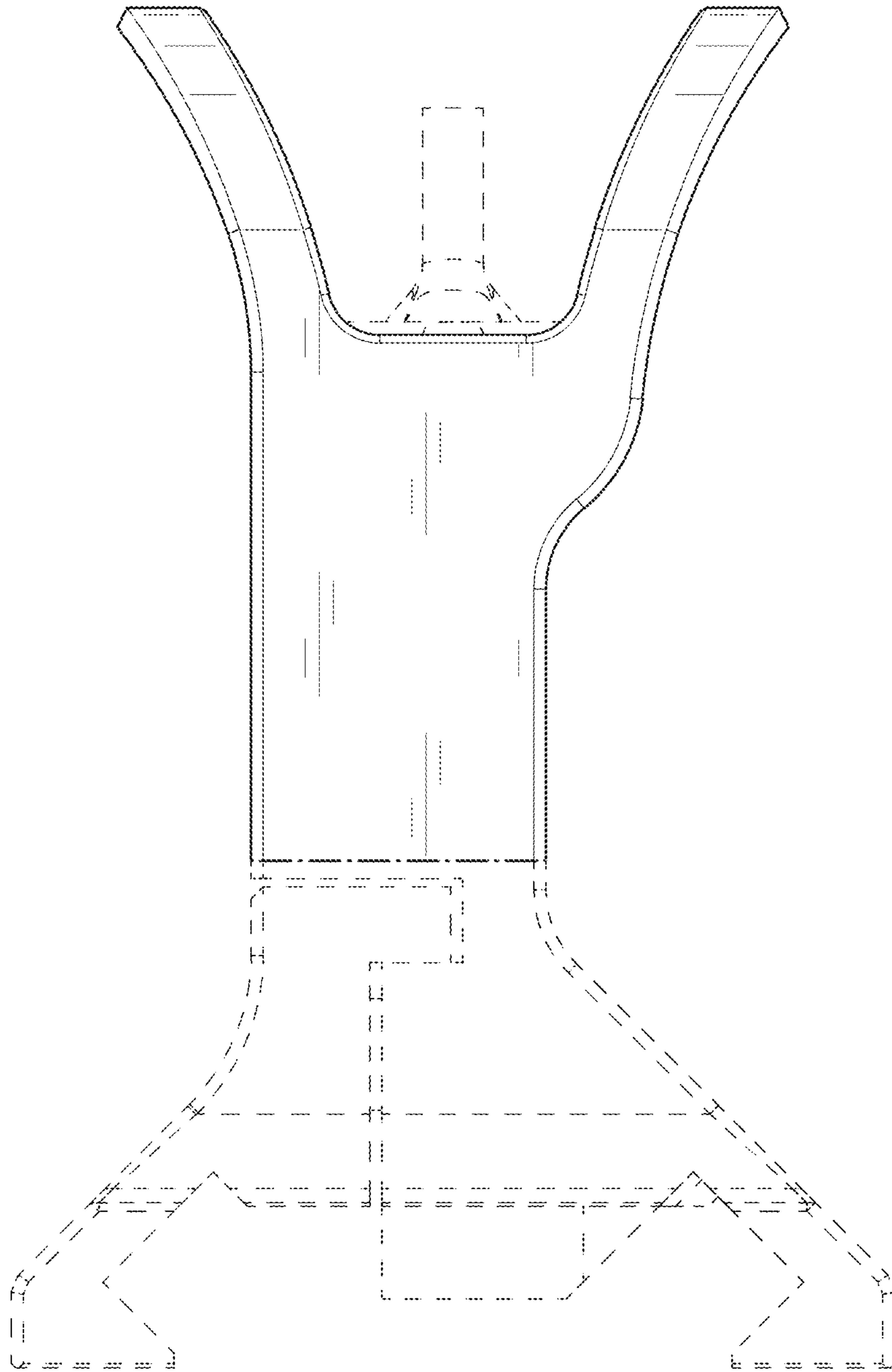


FIG. 3

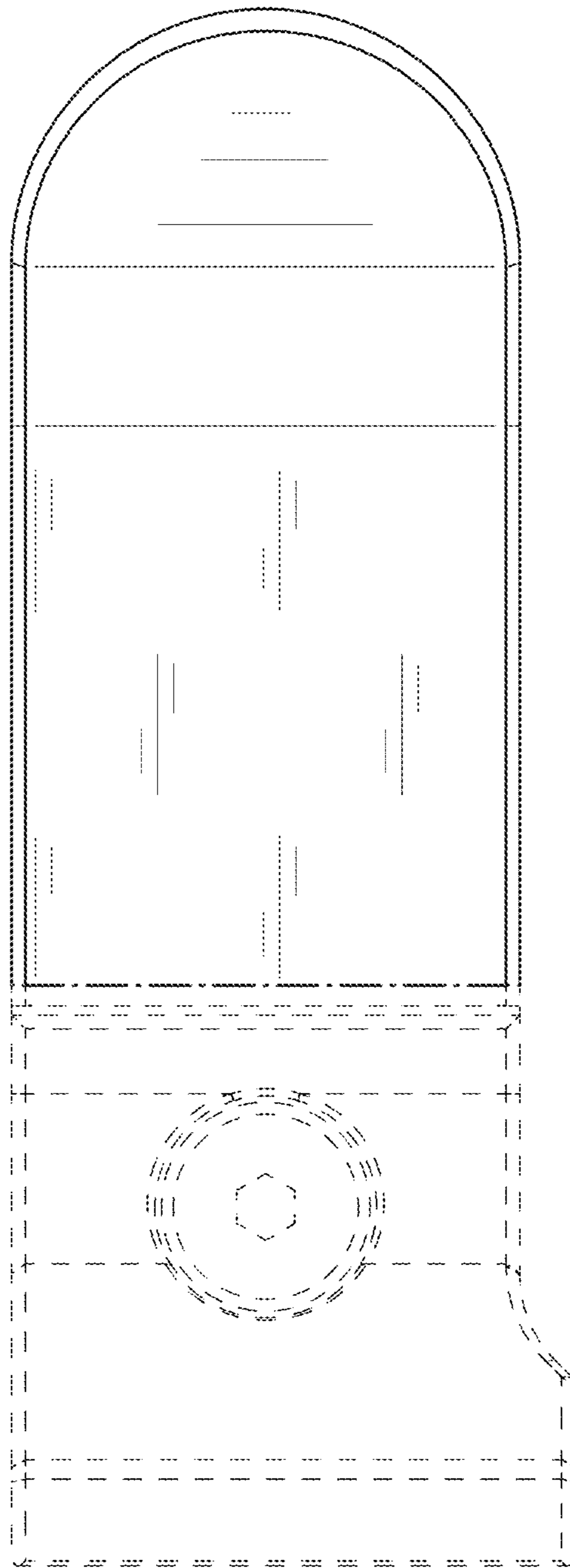


FIG. 4

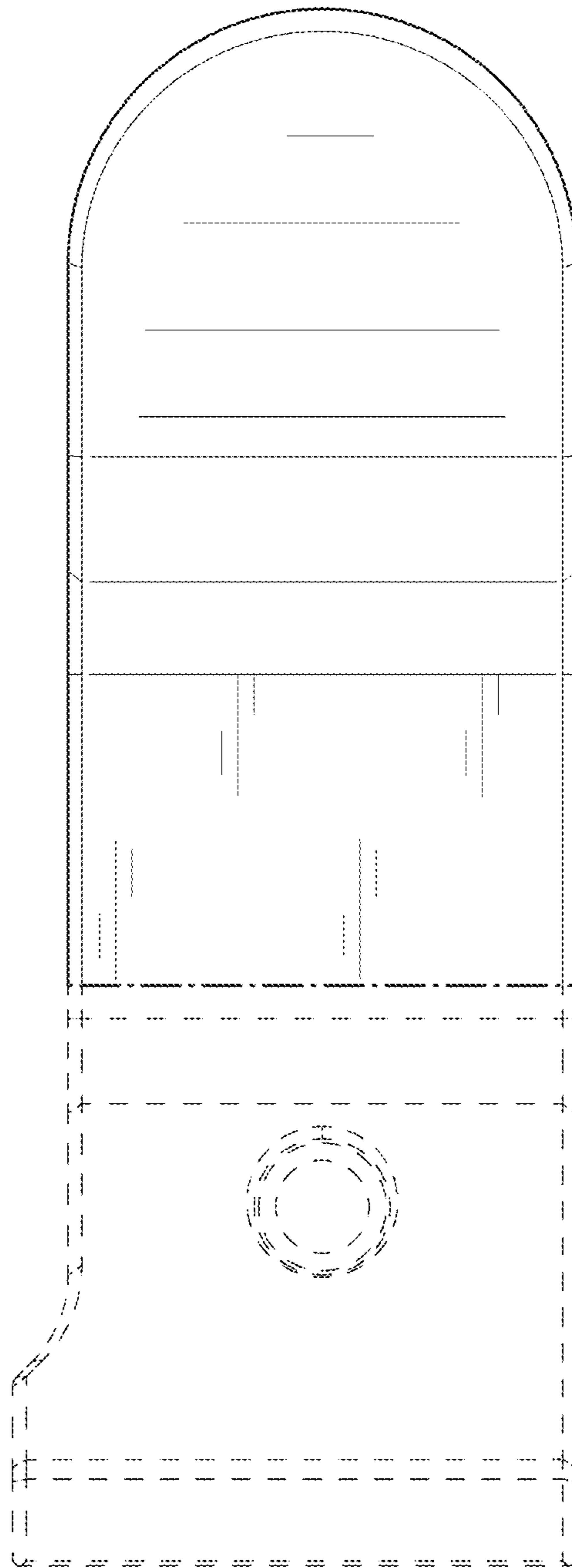


FIG. 5

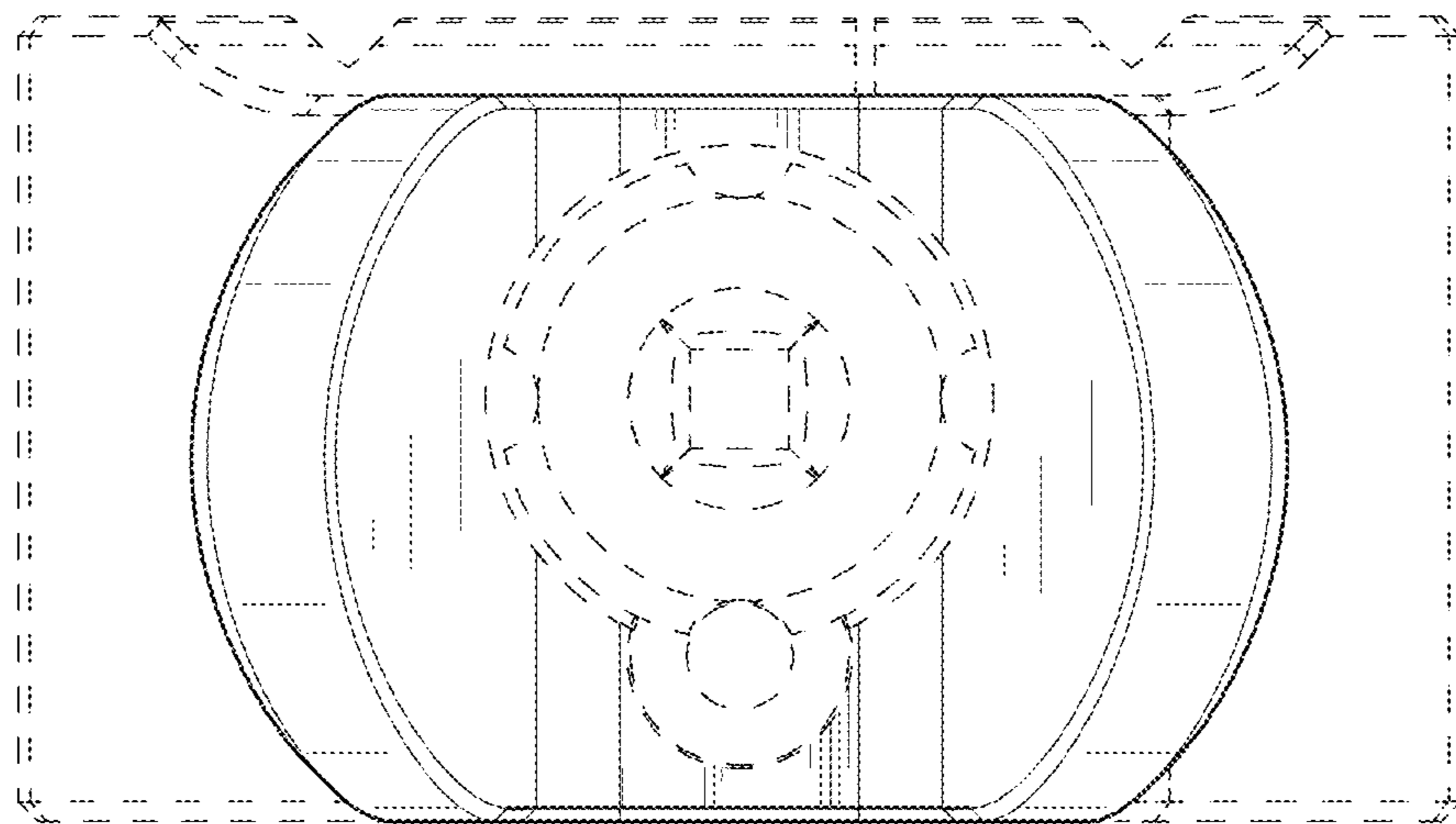


FIG. 6

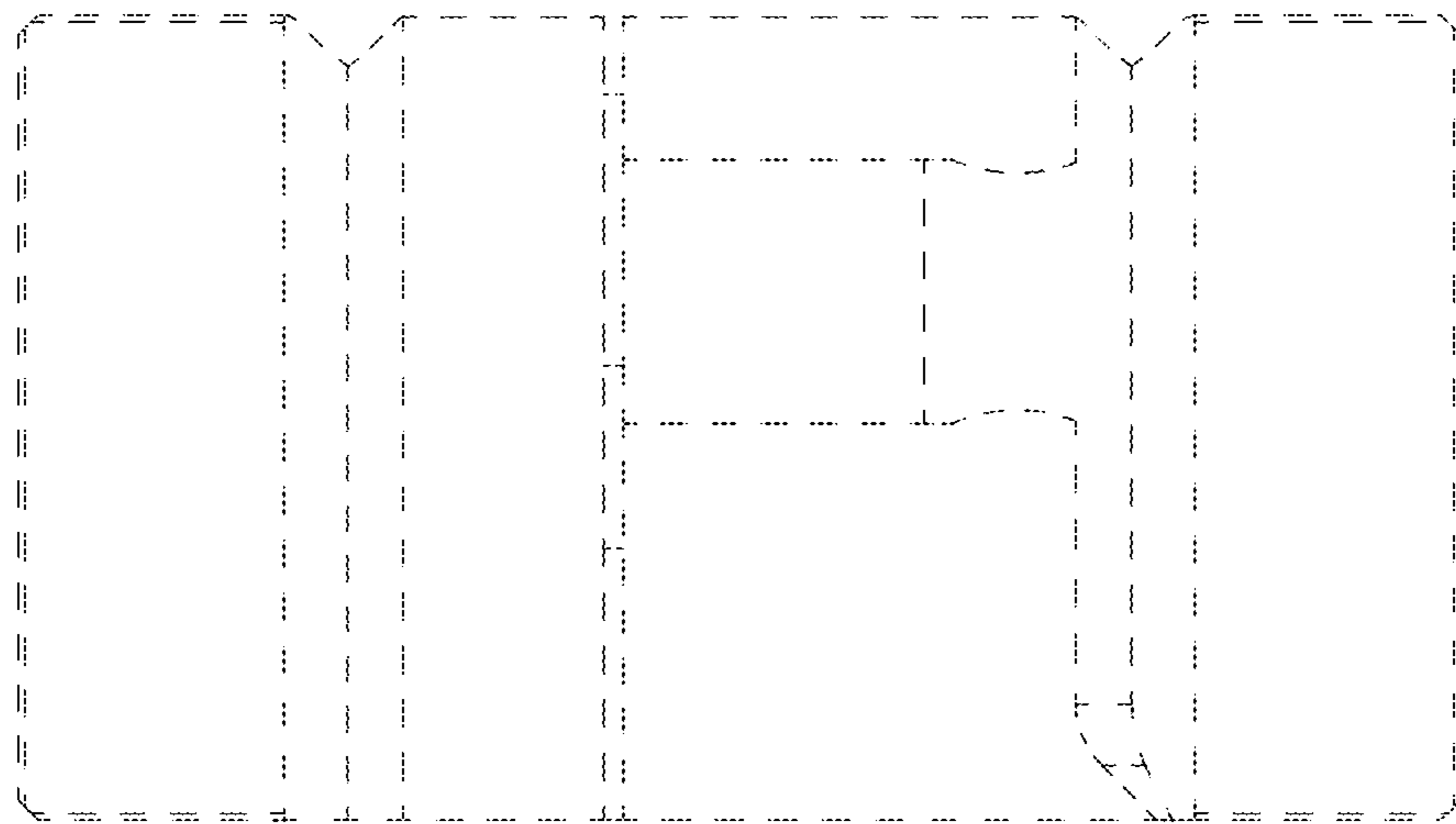


FIG. 7