



US00D904547S

(12) **United States Design Patent**  
**Cheng et al.**

(10) **Patent No.:** **US D904,547 S**

(45) **Date of Patent:** **\*\* Dec. 8, 2020**

(54) **VERTICAL GRIP**

(71) Applicants: **Carson Cheng**, City of Industry, CA (US); **Changan Tian**, City of Industry, CA (US); **Richard Thomas**, City of Industry, CA (US)

(72) Inventors: **Carson Cheng**, City of Industry, CA (US); **Changan Tian**, City of Industry, CA (US); **Richard Thomas**, City of Industry, CA (US)

(73) Assignee: **NcSTAR Inc.**, City of Industry, CA (US)

(\*\*) Term: **15 Years**

(21) Appl. No.: **29/707,800**

(22) Filed: **Oct. 1, 2019**

(51) **LOC (12) Cl.** ..... **22-01**

(52) **U.S. Cl.**  
USPC ..... **D22/108**

(58) **Field of Classification Search**  
USPC ..... D22/108; D8/68  
CPC ..... F41C 23/10; F41C 23/14; F41C 23/16;  
F41C 23/18

See application file for complete search history.

(56) **References Cited**

**U.S. PATENT DOCUMENTS**

D660,934 S \* 5/2012 Faifer ..... D22/108  
D726,278 S \* 4/2015 Ding ..... D22/108

D728,054 S \* 4/2015 Webber ..... D22/108  
D745,628 S \* 12/2015 Barfoot ..... D22/108  
D749,186 S \* 2/2016 Cheng ..... D22/108  
D814,594 S \* 4/2018 Saadon ..... D22/108  
D826,361 S \* 8/2018 Cheng ..... D22/108  
D850,561 S \* 6/2019 Saadon ..... D22/108  
D854,644 S \* 7/2019 Shelton ..... D22/108

\* cited by examiner

*Primary Examiner* — Michael A. Pratt

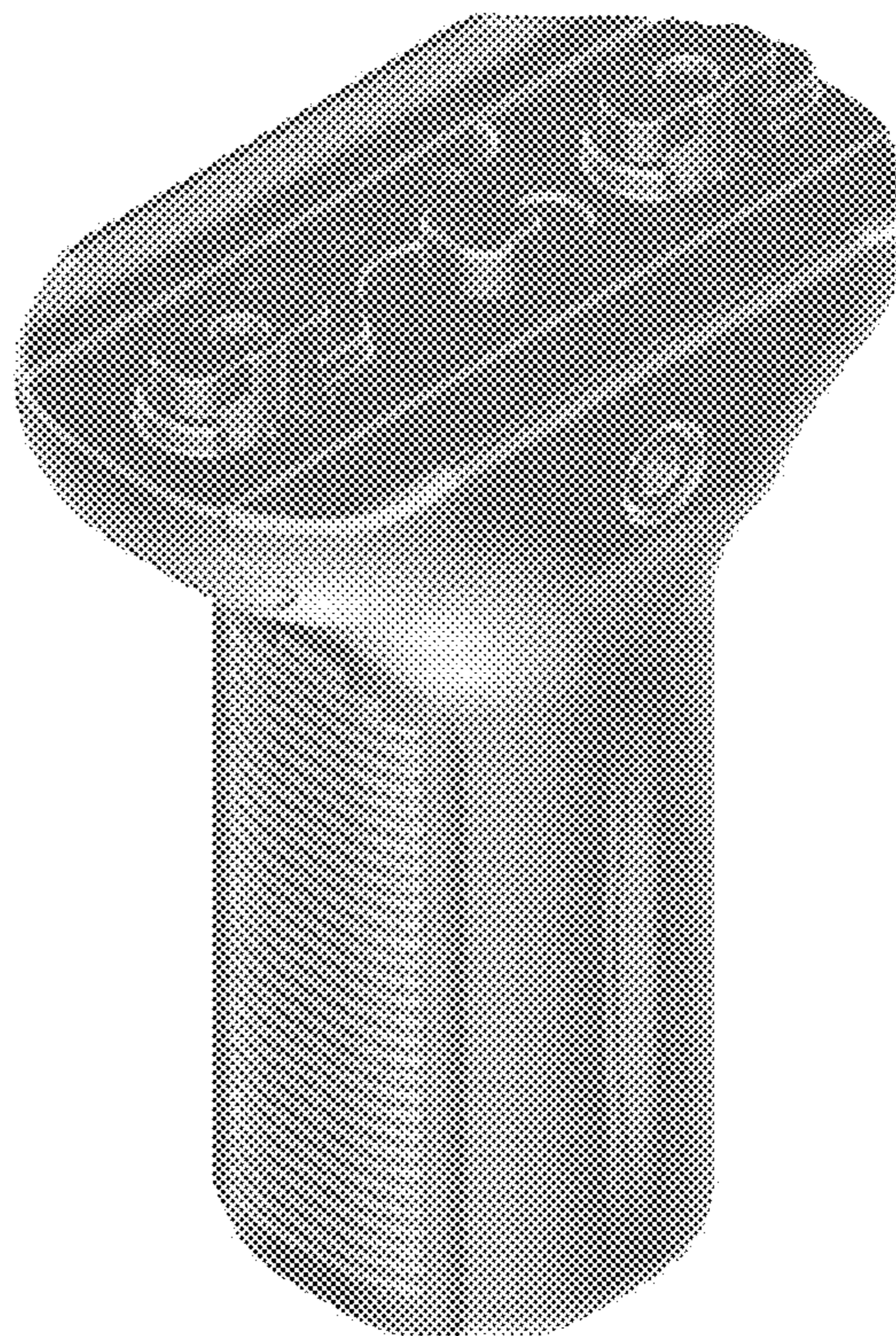
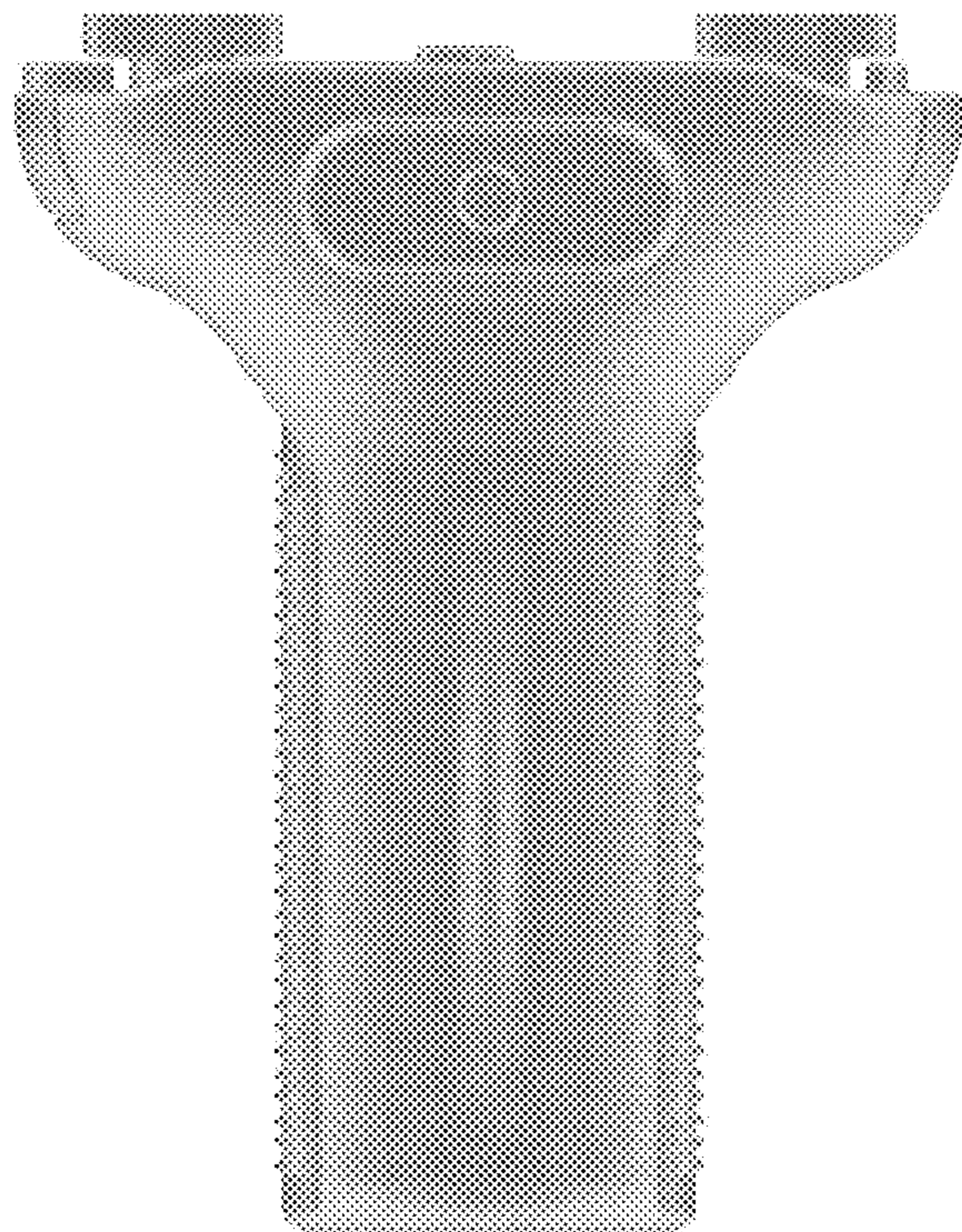
(57) **CLAIM**

The ornamental design for a vertical grip, as shown and described.

**DESCRIPTION**

FIG. 1 is a front view of a vertical grip showing our new design;  
FIG. 2 is a rear view thereof;  
FIG. 3 is a left view thereof;  
FIG. 4 is a right view thereof;  
FIG. 5 is a top view thereof;  
FIG. 6 is a bottom view thereof;  
FIG. 7 is a front, top and left perspective view thereof;  
FIG. 8 is a front, bottom and right perspective view thereof;  
FIG. 9 is a rear, top and right perspective view thereof; and,  
FIG. 10 is a rear, bottom and left perspective view thereof.

**1 Claim, 10 Drawing Sheets**

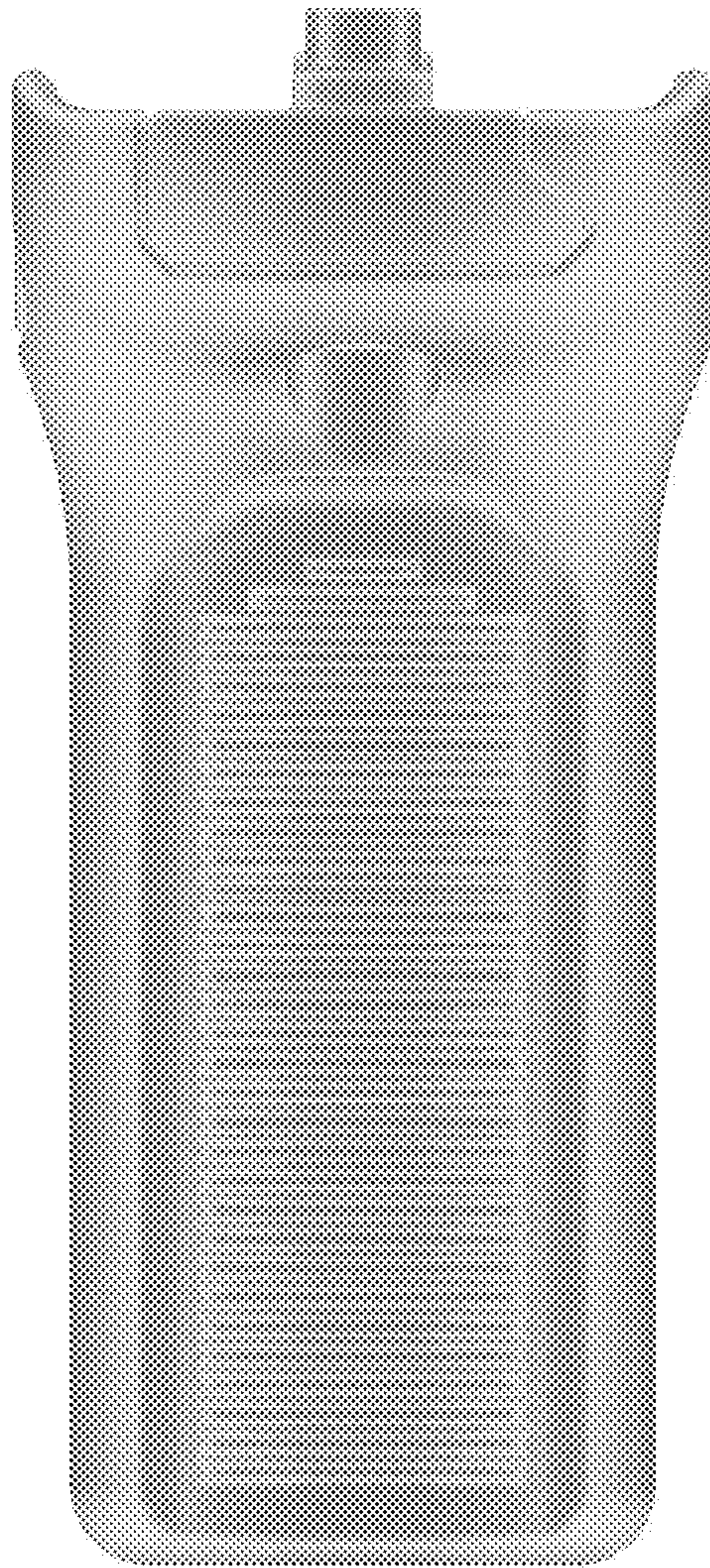




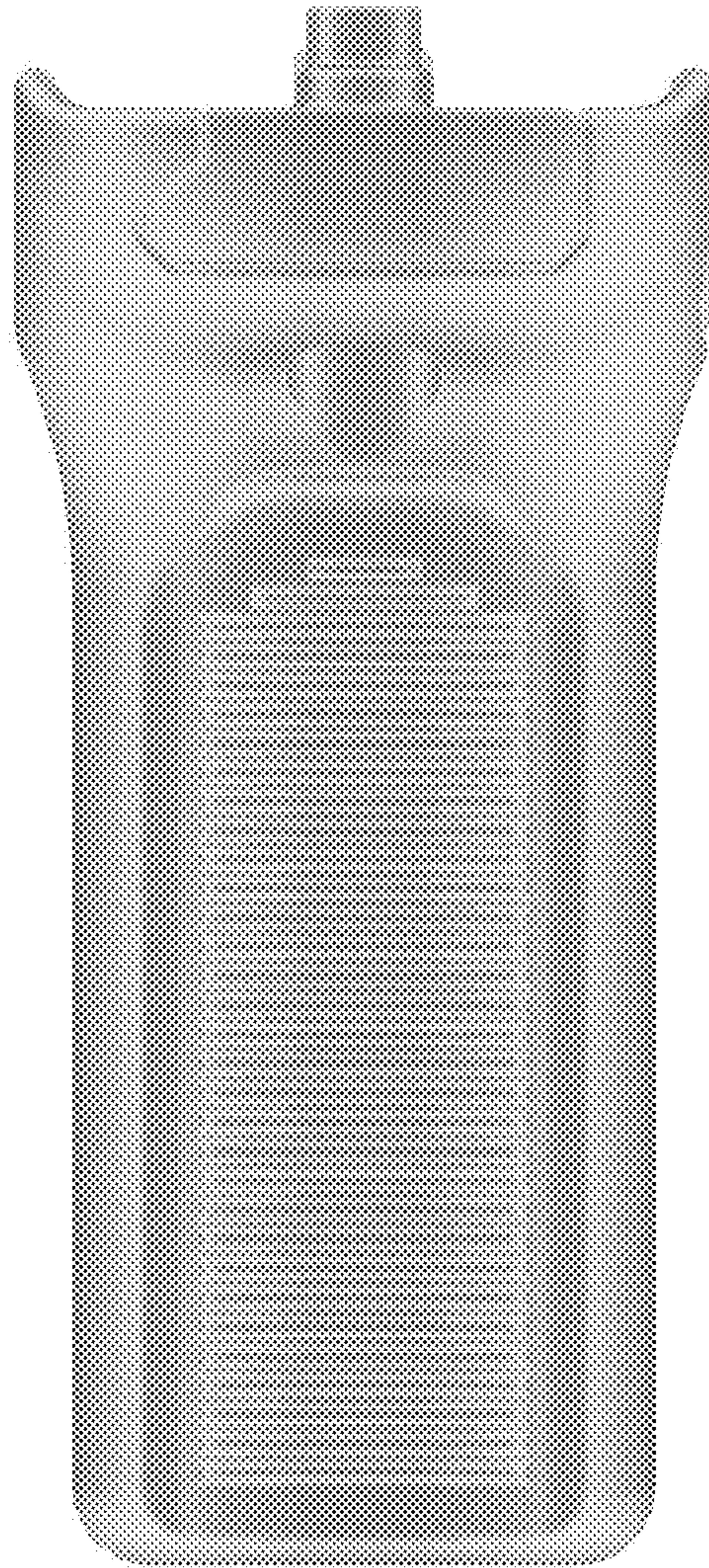
**FIG. 1**



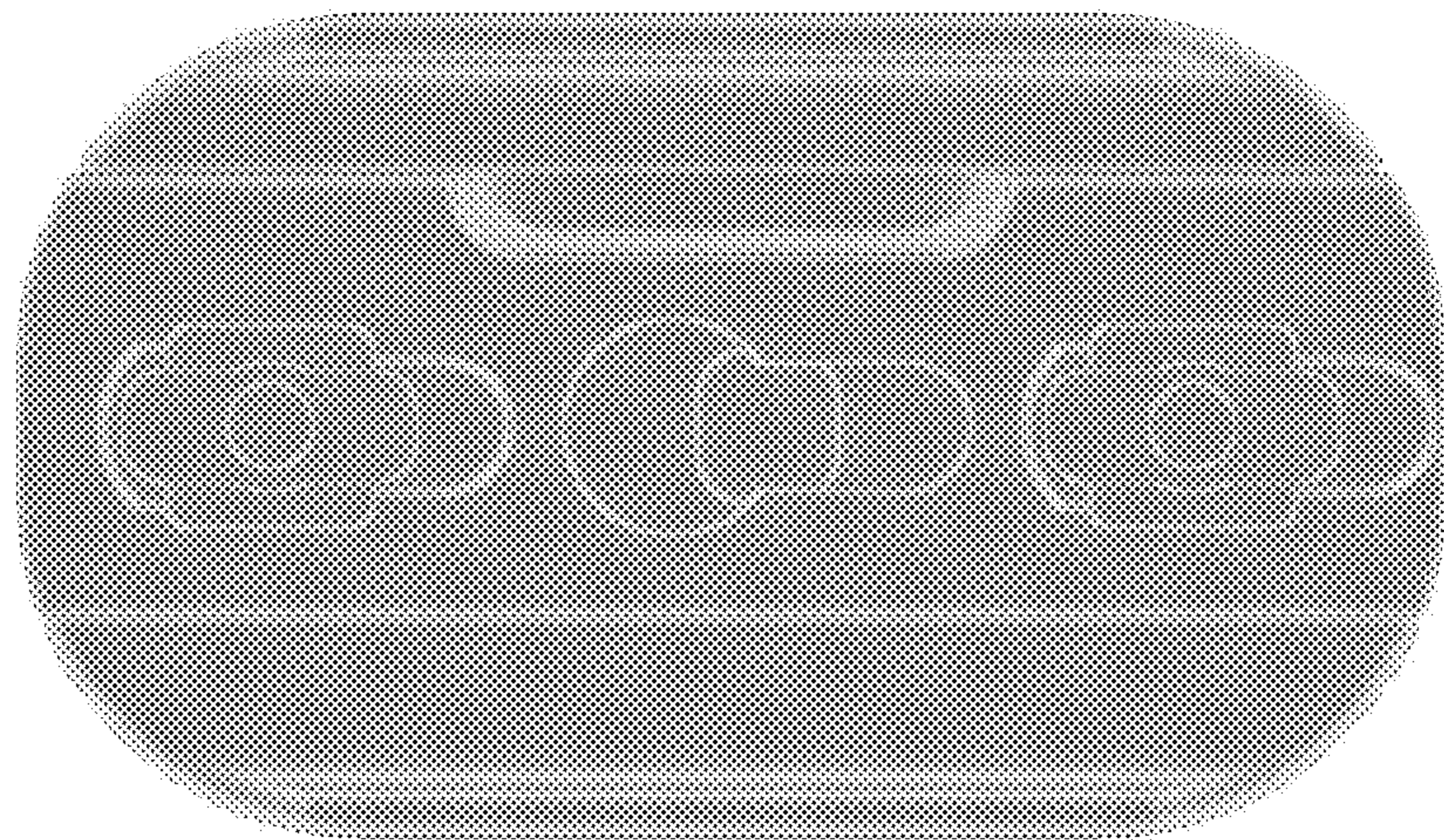
**FIG. 2**



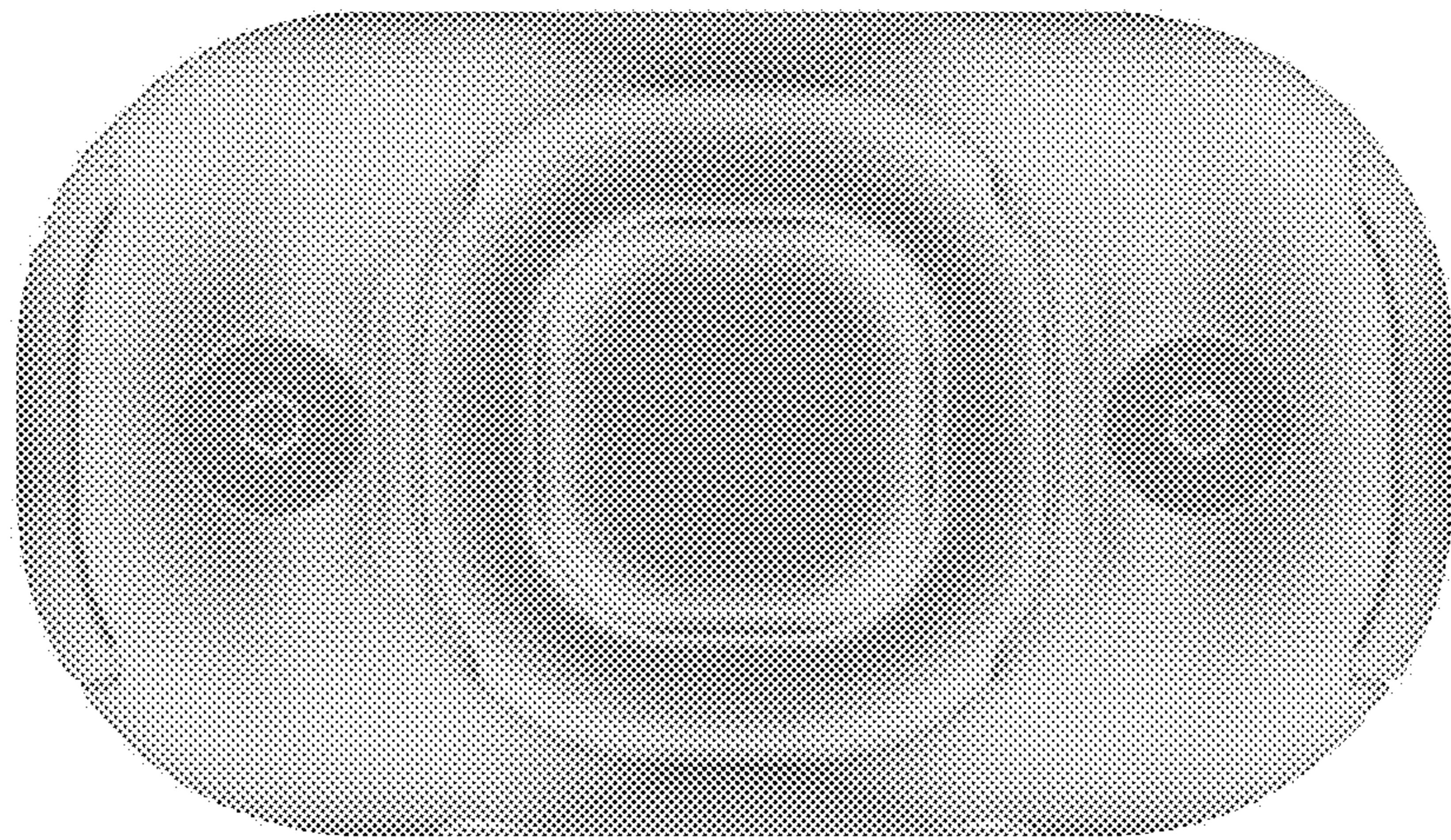
**FIG. 3**



**FIG. 4**



**FIG. 5**

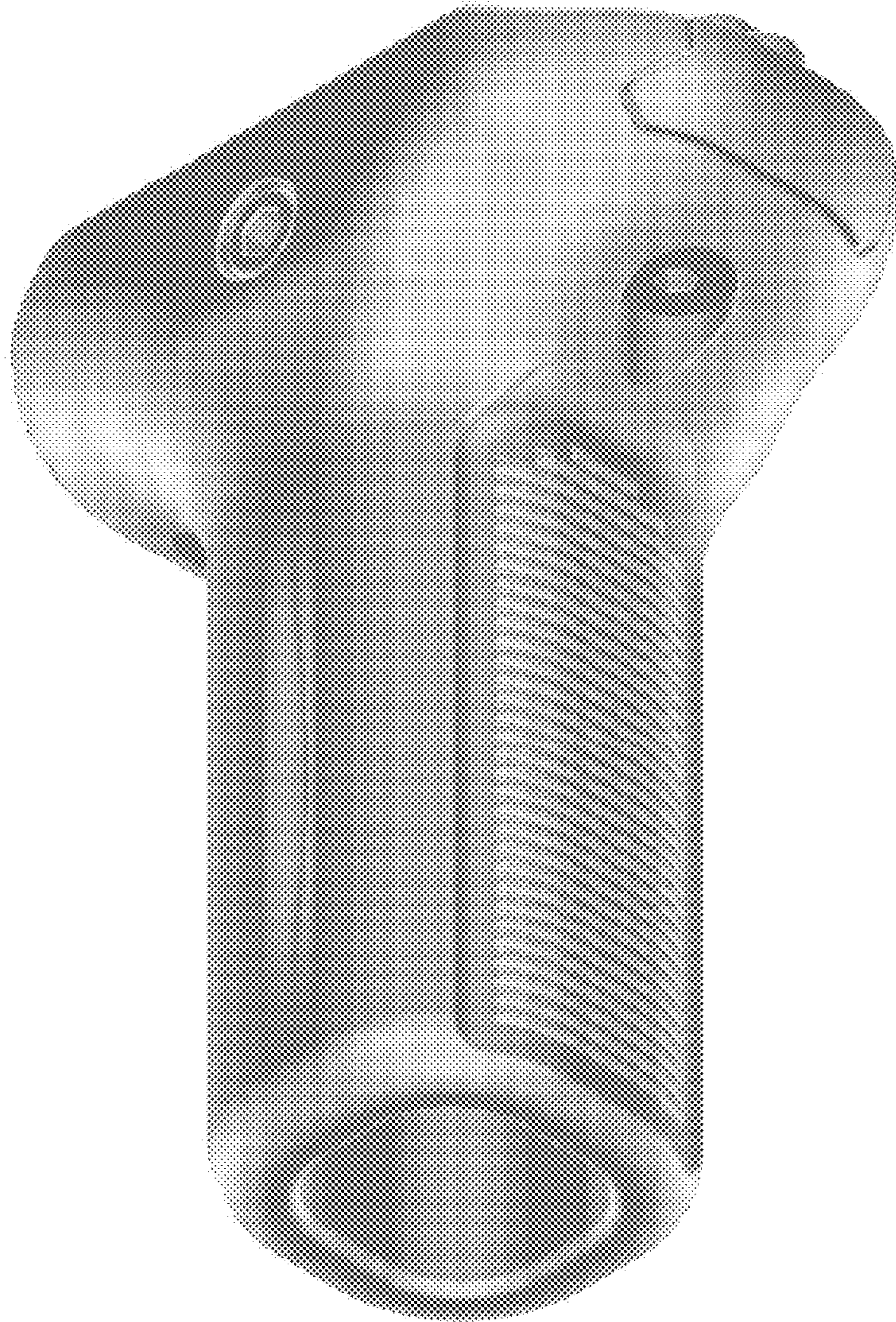


**FIG. 6**



**FIG. 7**

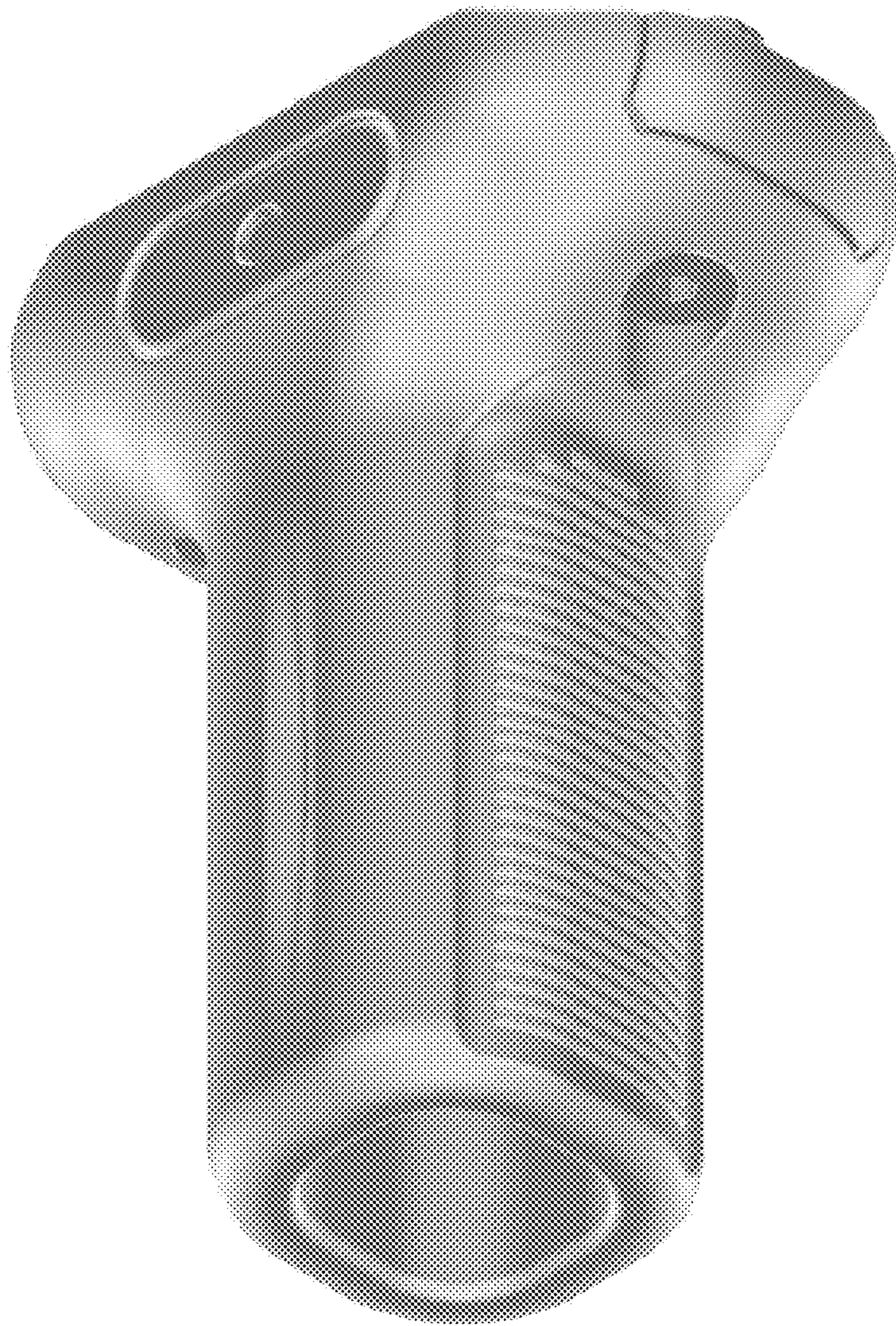




**FIG. 8**



**FIG. 9**



**FIG. 10**