



US00D904546S

(12) **United States Design Patent**
Cheng et al.

(10) **Patent No.:** **US D904,546 S**

(45) **Date of Patent:** **** Dec. 8, 2020**

(54) **HANDSTOP**

(71) Applicants: **Carson Cheng**, City of Industry, CA (US); **Changan Tian**, City of Industry, CA (US); **Michael Cheng**, City of Industry, CA (US)

(72) Inventors: **Carson Cheng**, City of Industry, CA (US); **Changan Tian**, City of Industry, CA (US); **Michael Cheng**, City of Industry, CA (US)

(73) Assignee: **NcSTAR Inc.**, City of Industry, CA (US)

(**) Term: **15 Years**

(21) Appl. No.: **29/707,692**

(22) Filed: **Sep. 30, 2019**

(51) **LOC (12) Cl.** **22-01**

(52) **U.S. Cl.**
USPC **D22/108**

(58) **Field of Classification Search**
USPC D22/108; D8/68
CPC F41C 23/10; F41C 23/14; F41C 23/16;
F41C 23/18
See application file for complete search history.

(56) **References Cited**

U.S. PATENT DOCUMENTS

D665,043 S * 8/2012 Fitzpatrick D22/108
D698,885 S * 2/2014 Faifer D22/108

D728,054 S * 4/2015 Webber D22/108
D745,623 S * 12/2015 Flores D22/108
D745,624 S * 12/2015 Flores D22/108
D745,629 S * 12/2015 Barfoot D22/108
D745,940 S * 12/2015 Flores D22/108
D783,757 S * 4/2017 Jen D22/108
D803,968 S * 11/2017 Saadon D22/108
D860,375 S * 9/2019 Chavez D22/109
D873,369 S * 1/2020 Shelton D22/108
D876,570 S * 2/2020 Saadon D22/108
D898,153 S * 10/2020 Podgurny D22/108

* cited by examiner

Primary Examiner — Michael A. Pratt

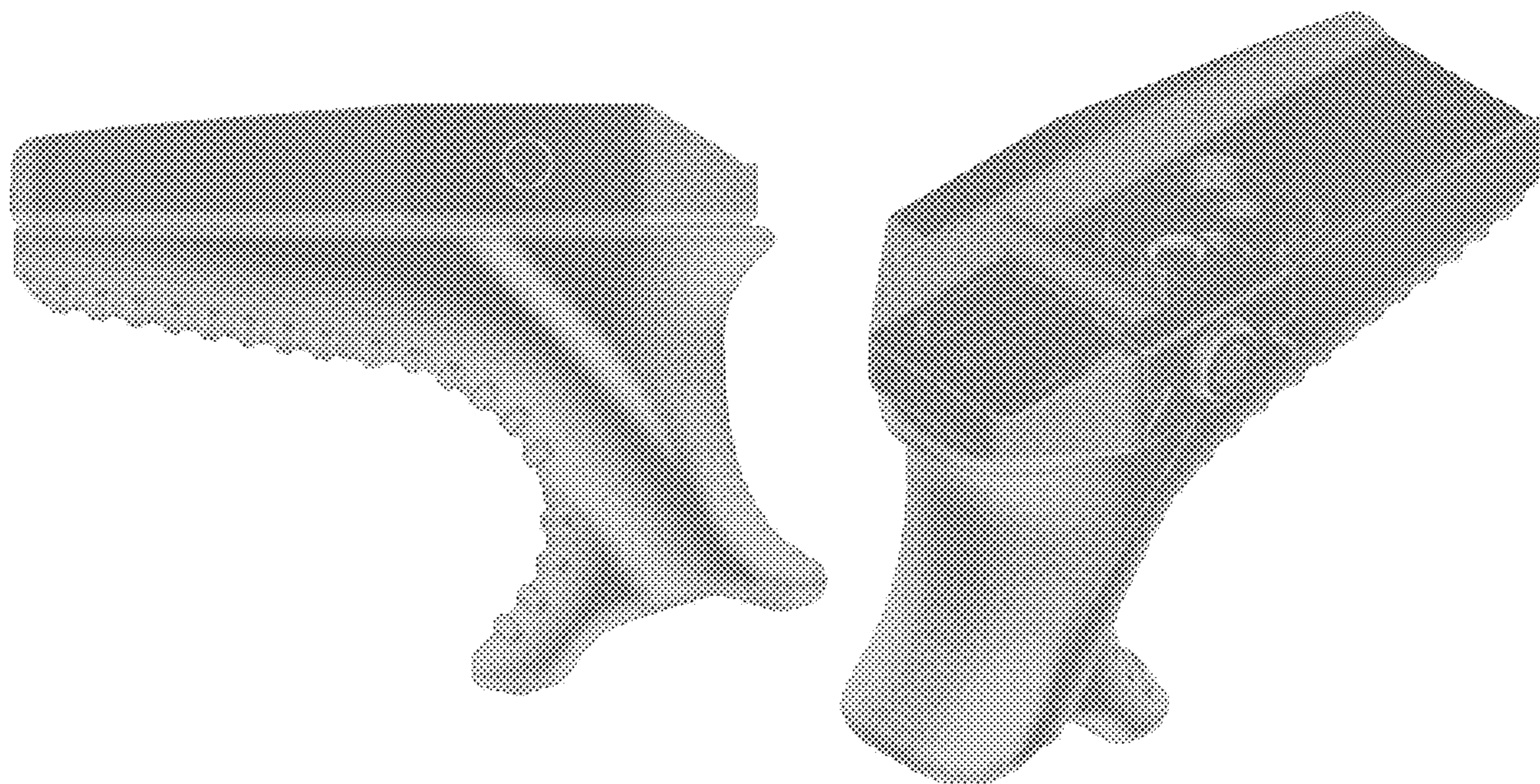
(57) **CLAIM**

The ornamental design for a handstop, as shown and described.

DESCRIPTION

FIG. 1 is a front view of a handstop showing our new design; FIG. 2 is a rear view thereof; FIG. 3 is a top view thereof; FIG. 4 is a bottom view thereof; FIG. 5 is a left view thereof; FIG. 6 is a right view thereof; FIG. 7 is a front, top and left perspective view thereof; FIG. 8 is a front, bottom and right perspective view thereof; FIG. 9 is a rear, top and right perspective view thereof; and, FIG. 10 is a rear, bottom and left perspective view thereof.

1 Claim, 10 Drawing Sheets



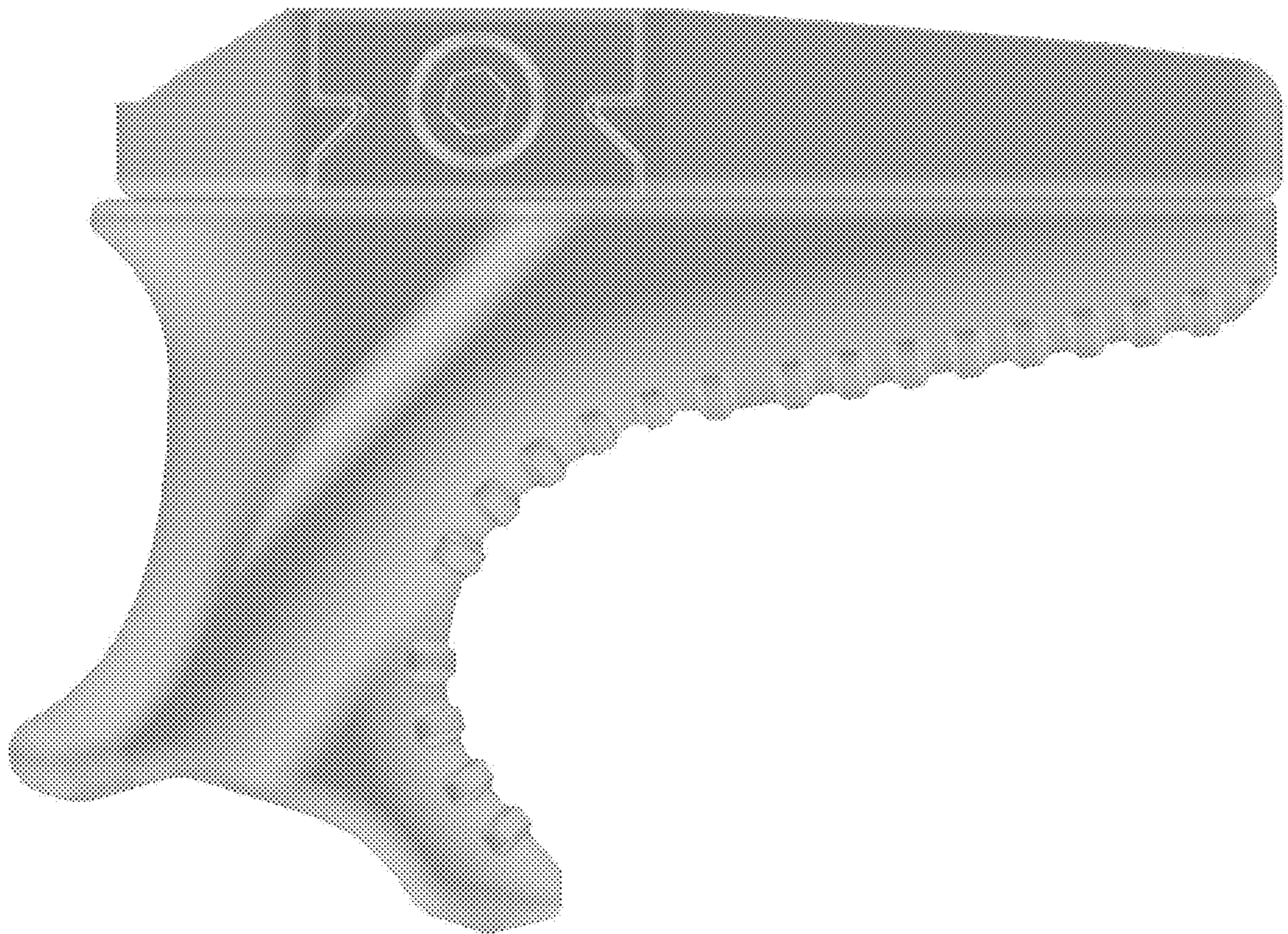


FIG. 1

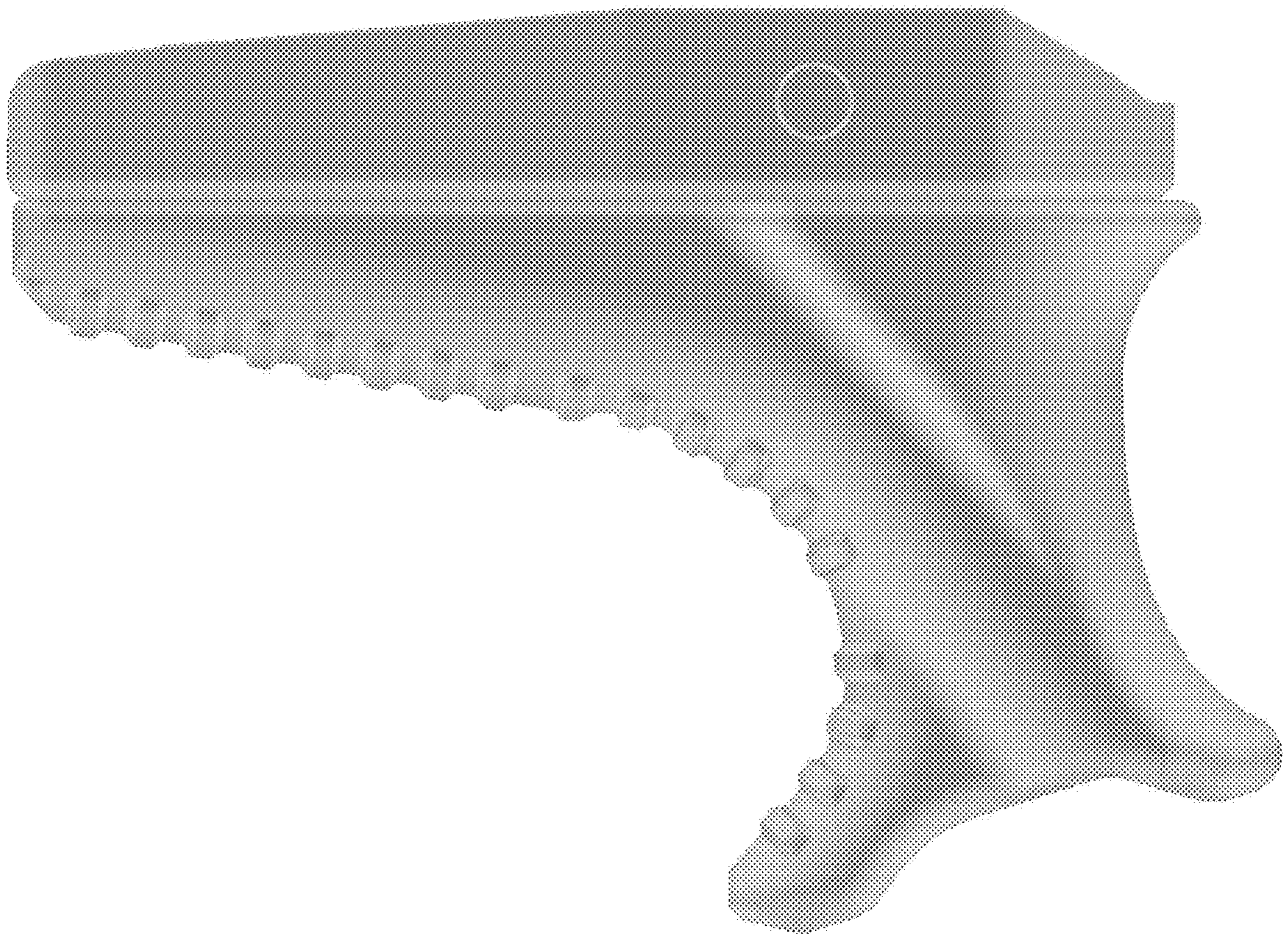


FIG. 2

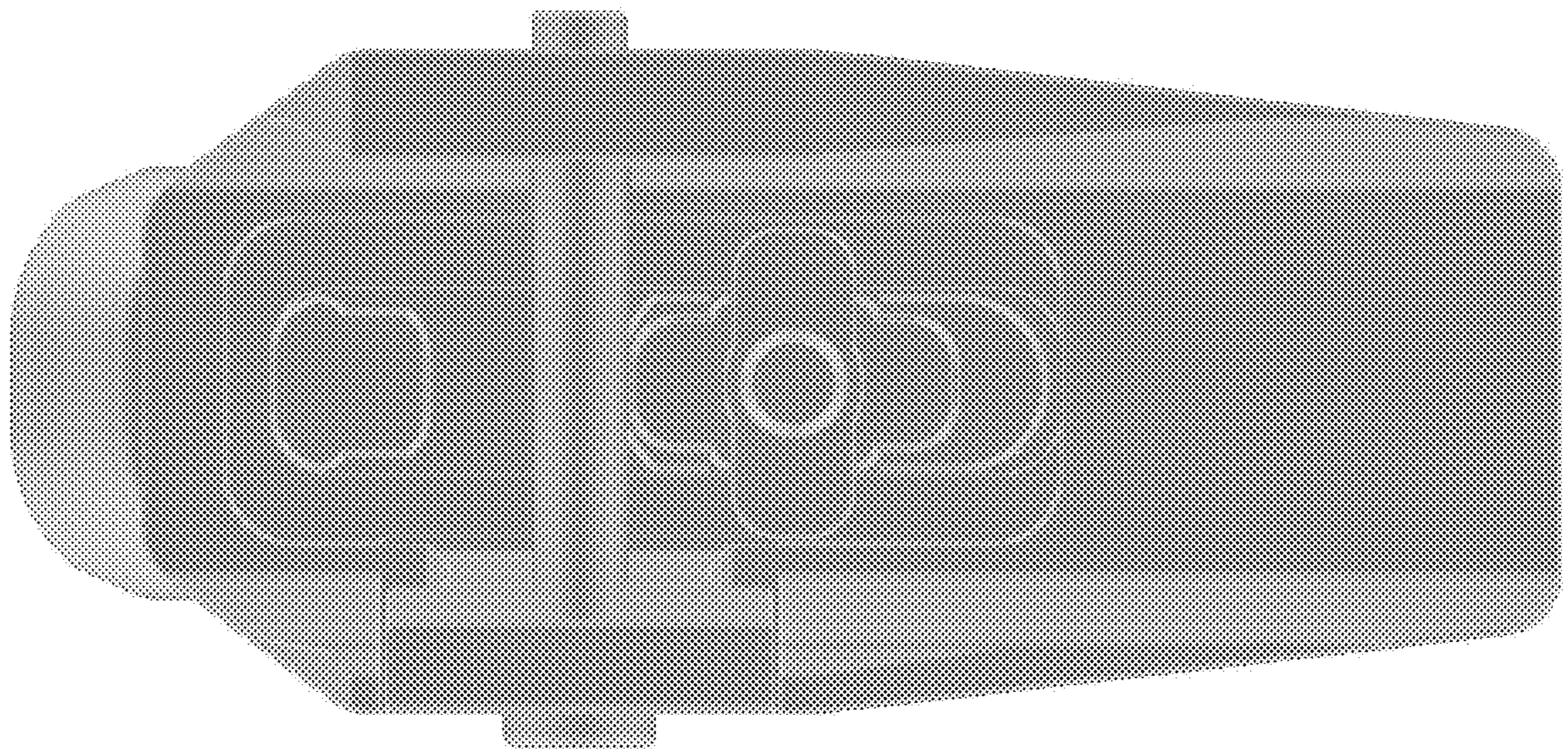


FIG. 3

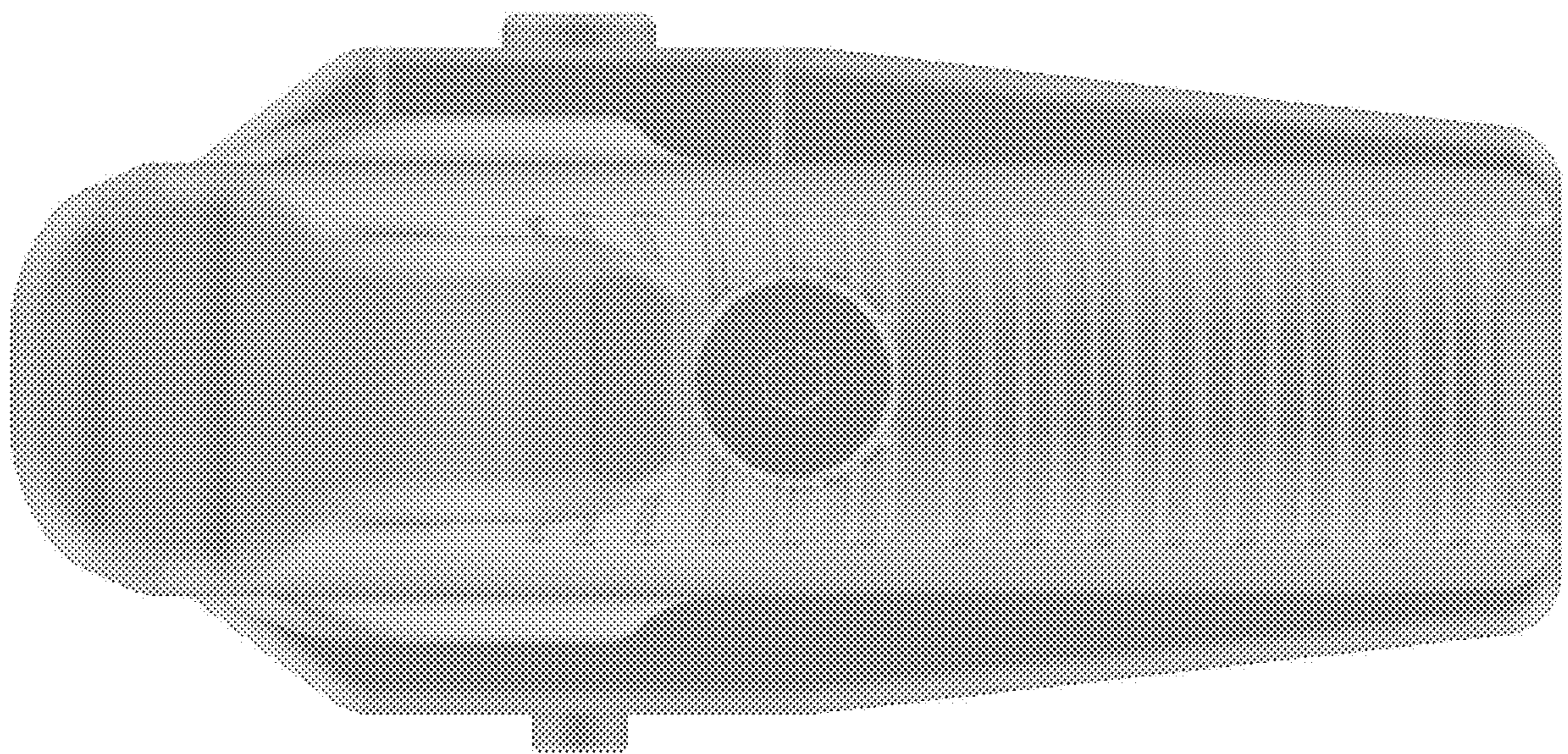


FIG. 4



FIG. 5

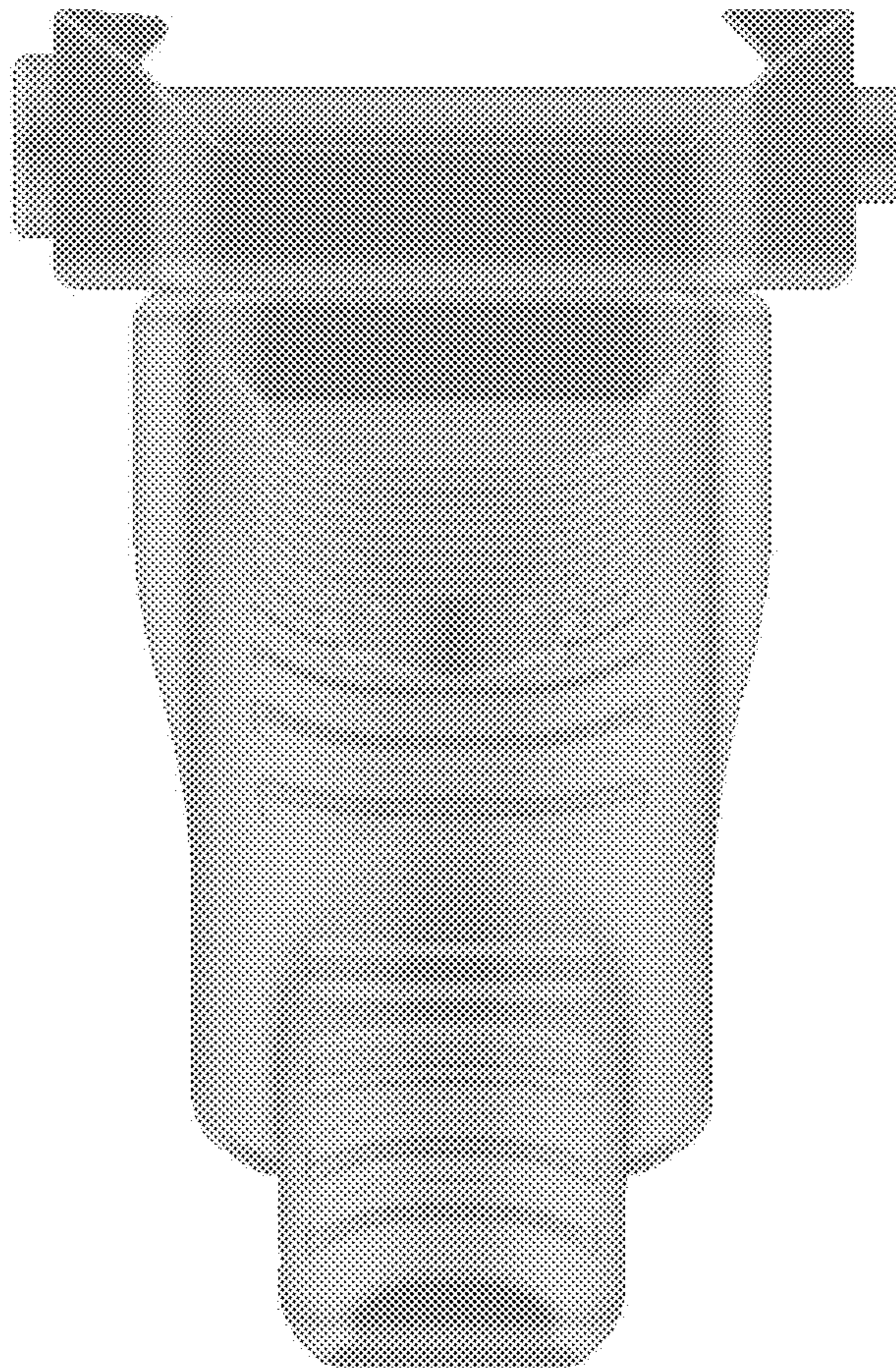


FIG. 6



FIG. 7

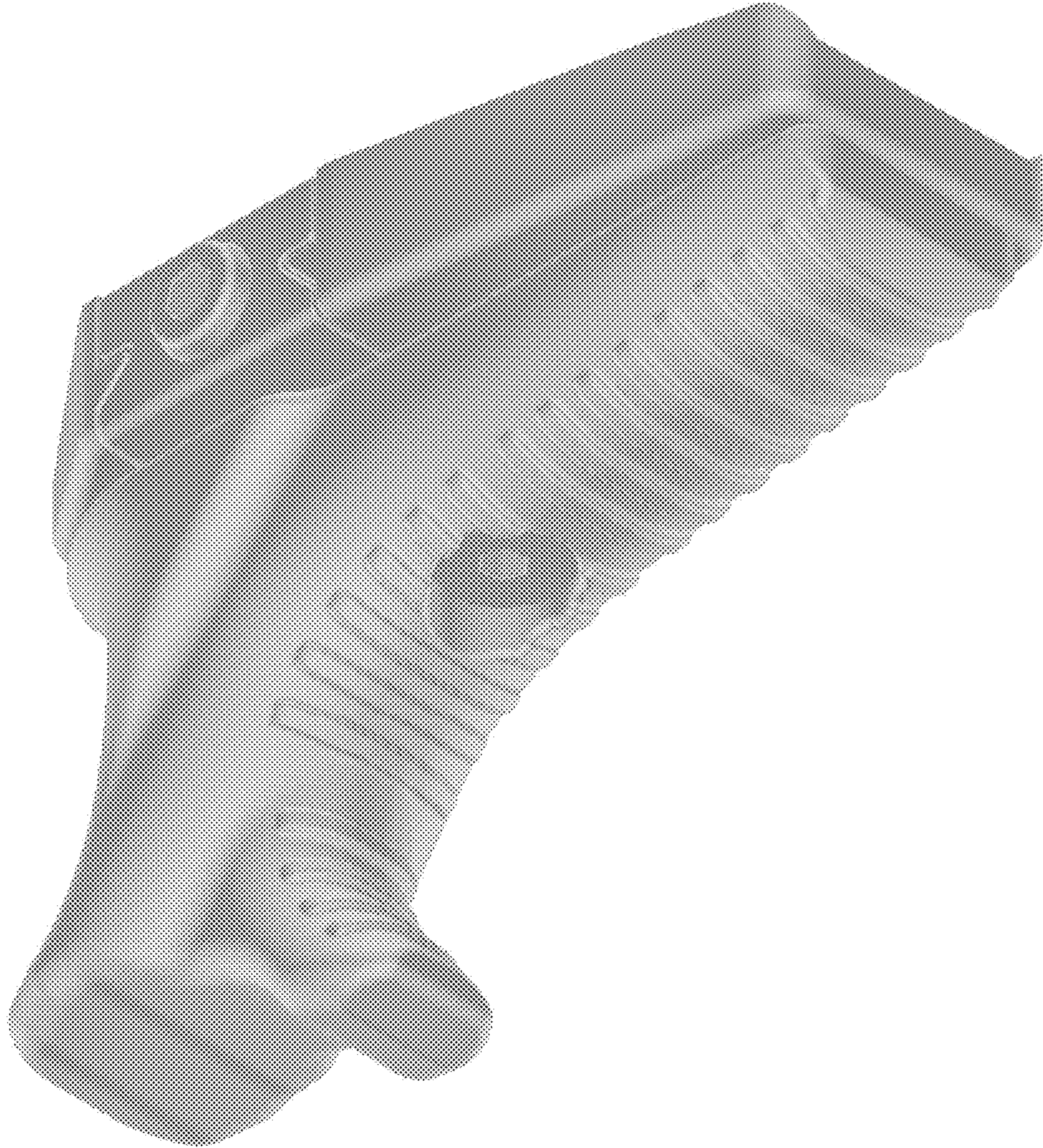


FIG. 8

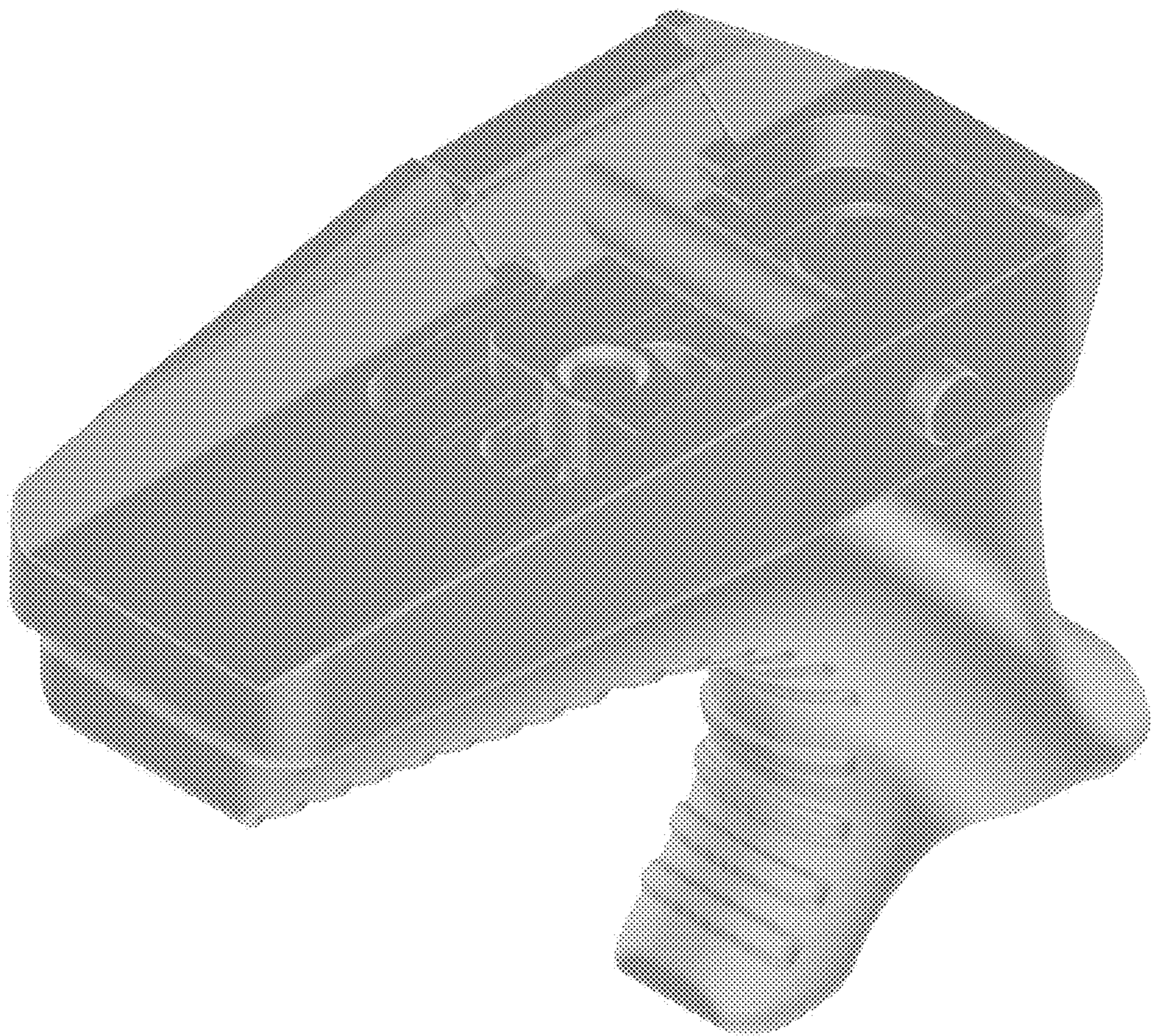


FIG. 9

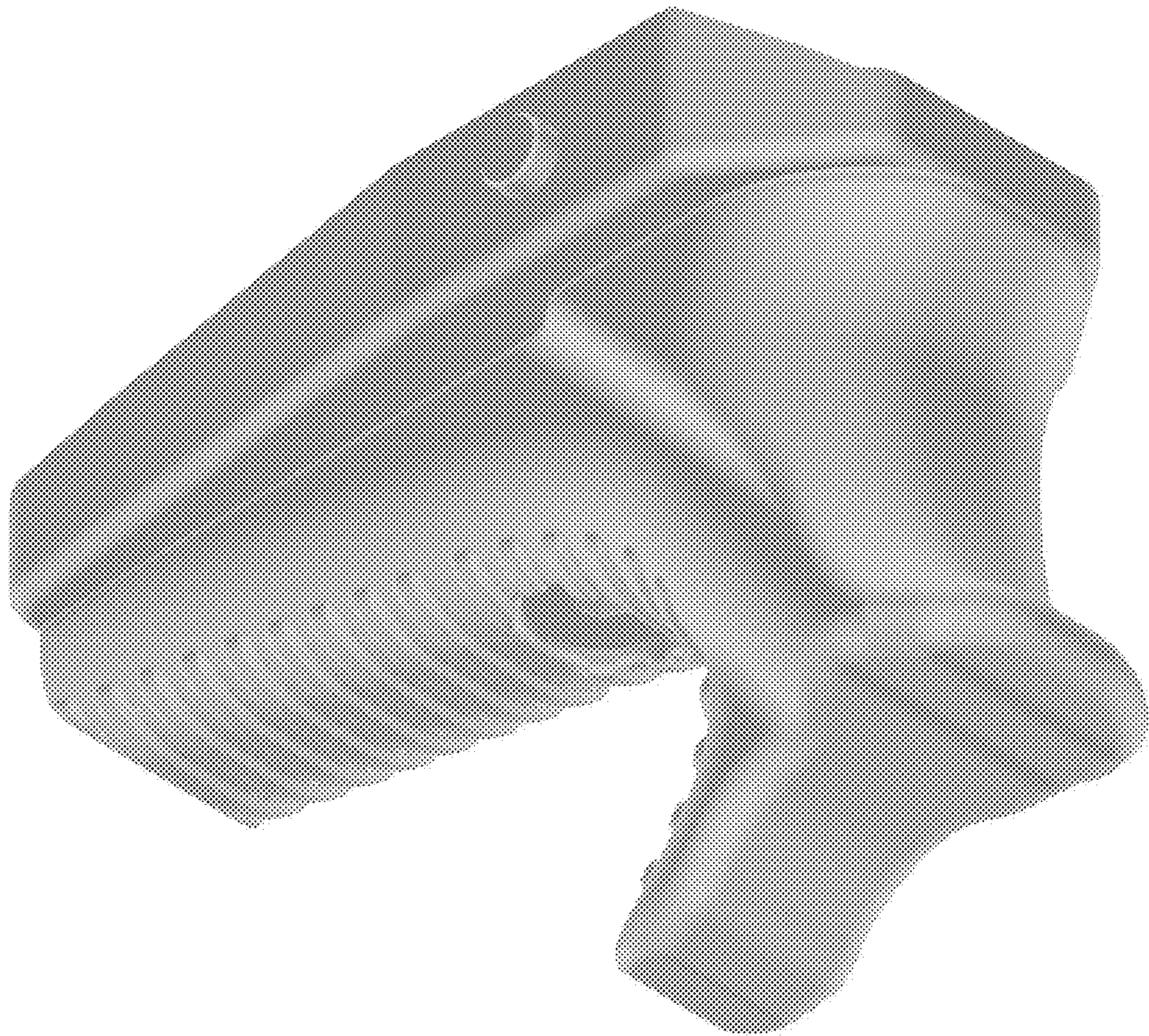


FIG. 10