



US00D904544S

(12) **United States Design Patent**
Bassam Meqdad

(10) **Patent No.:** **US D904,544 S**

(45) **Date of Patent:** **** Dec. 8, 2020**

(54) **PISTOL SLIDE WITH SERRATED PATTERN**

(71) Applicant: **GHOST FIREARMS LLC**, Daytona Beach, FL (US)

(72) Inventor: **Nader Bassam Meqdad**, Ormond Beach, FL (US)

(73) Assignee: **GHOST FIREARMS LLC**, Daytona Beach, FL (US)

(**) Term: **15 Years**

(21) Appl. No.: **29/698,278**

(22) Filed: **Jul. 16, 2019**

(51) **LOC (12) Cl.** **22-01**

(52) **U.S. Cl.**
USPC **D22/108**

(58) **Field of Classification Search**
USPC D22/108
CPC F41G 11/003; F41C 27/00
See application file for complete search history.

(56) **References Cited**

U.S. PATENT DOCUMENTS

| | | | |
|--------------|---------|-----------------|---------|
| D732,627 S * | 6/2015 | Siddle | D22/108 |
| D774,620 S * | 12/2016 | Shelton | D22/108 |
| D777,871 S * | 1/2017 | Niswander | D22/108 |
| D790,653 S * | 6/2017 | Shelton | D22/108 |
| D797,878 S * | 9/2017 | Wang | D22/108 |
| D798,410 S * | 9/2017 | Shelton | D22/108 |
| D842,420 S * | 3/2019 | Liu | D22/108 |
| D861,113 S * | 9/2019 | Shelton | D22/108 |
| D861,821 S * | 10/2019 | Shelton | D22/108 |

| | | | |
|-------------------|---------|---------------|------------|
| D870,838 S * | 12/2019 | Shelton | D22/108 |
| D873,370 S * | 1/2020 | Shelton | D22/108 |
| 2017/0307328 A1 * | 10/2017 | Shelton | F41C 27/00 |

* cited by examiner

Primary Examiner — Michael A. Pratt

(74) *Attorney, Agent, or Firm* — Allen, Dyer, Doppelt + Gilchrist, PA

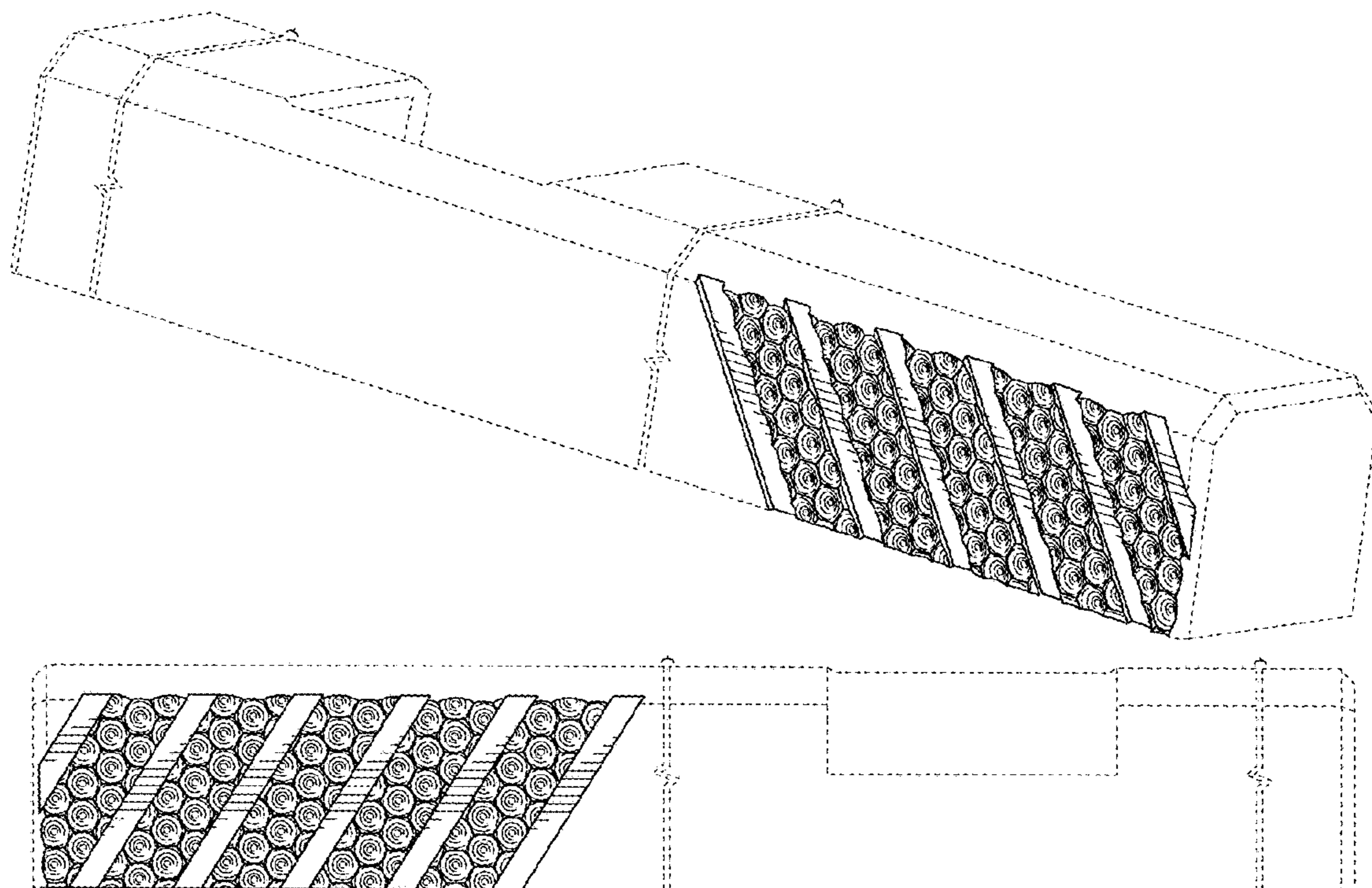
(57) **CLAIM**

The ornamental design for a pistol slide with serrated pattern, as shown and described.

DESCRIPTION

FIG. 1 is a top perspective view of the pistol slide with serrated pattern;
 FIG. 2 is another perspective view of the pistol slide with serrated pattern;
 FIG. 3 is a left side elevational view of the pistol slide with serrated pattern;
 FIG. 4 is a right side elevational view of the pistol slide with serrated pattern;
 FIG. 5 is a top side elevational view of the pistol slide with serrated pattern;
 FIG. 6 is a bottom side elevational view of the pistol slide with serrated pattern;
 FIG. 7 is a rear side elevational view of the pistol slide with serrated pattern; and,
 FIG. 8 is a front side elevational view of the pistol slide with serrated pattern.
 The broken lines in the drawings depict environmental and portions of the pistol slide with serrated pattern that form no part of the claimed design.

1 Claim, 7 Drawing Sheets



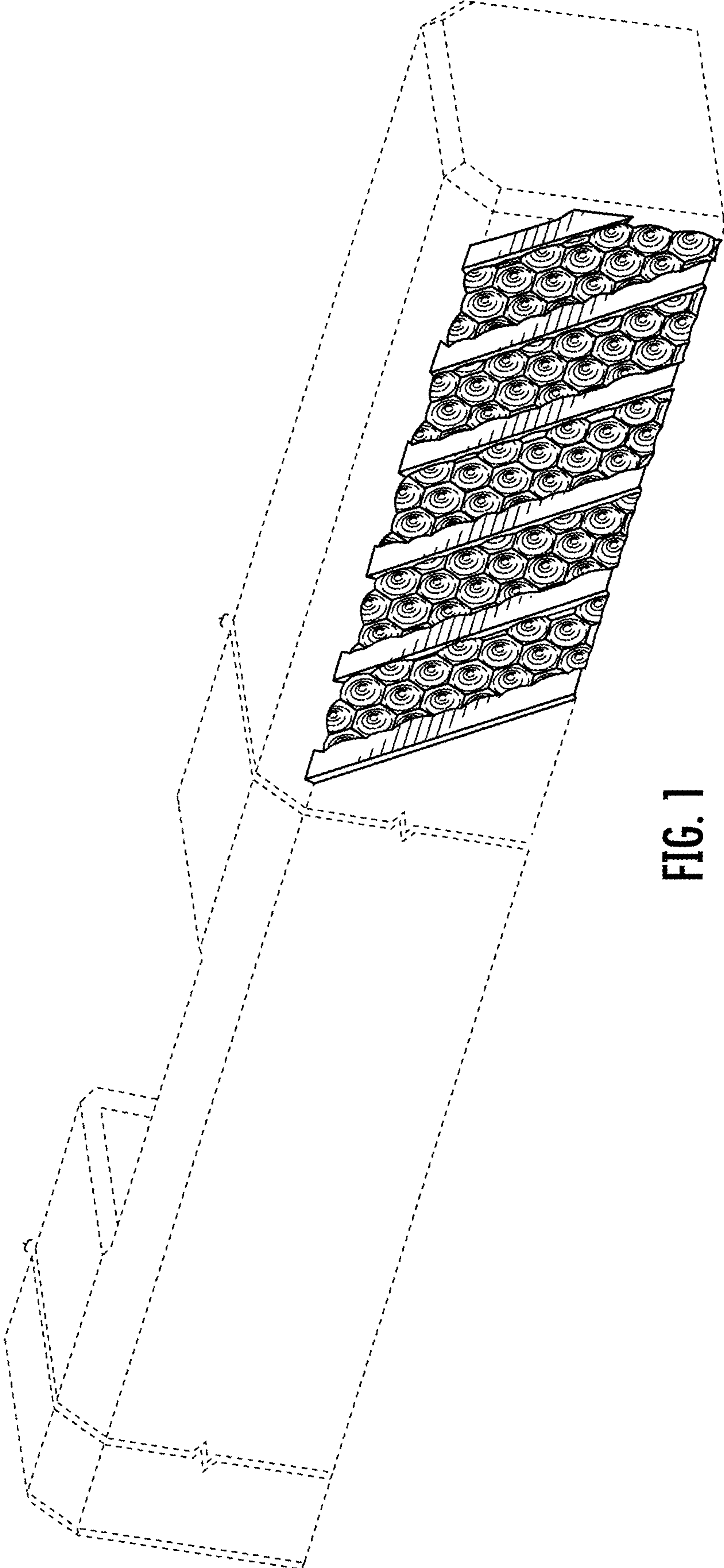


FIG. 1

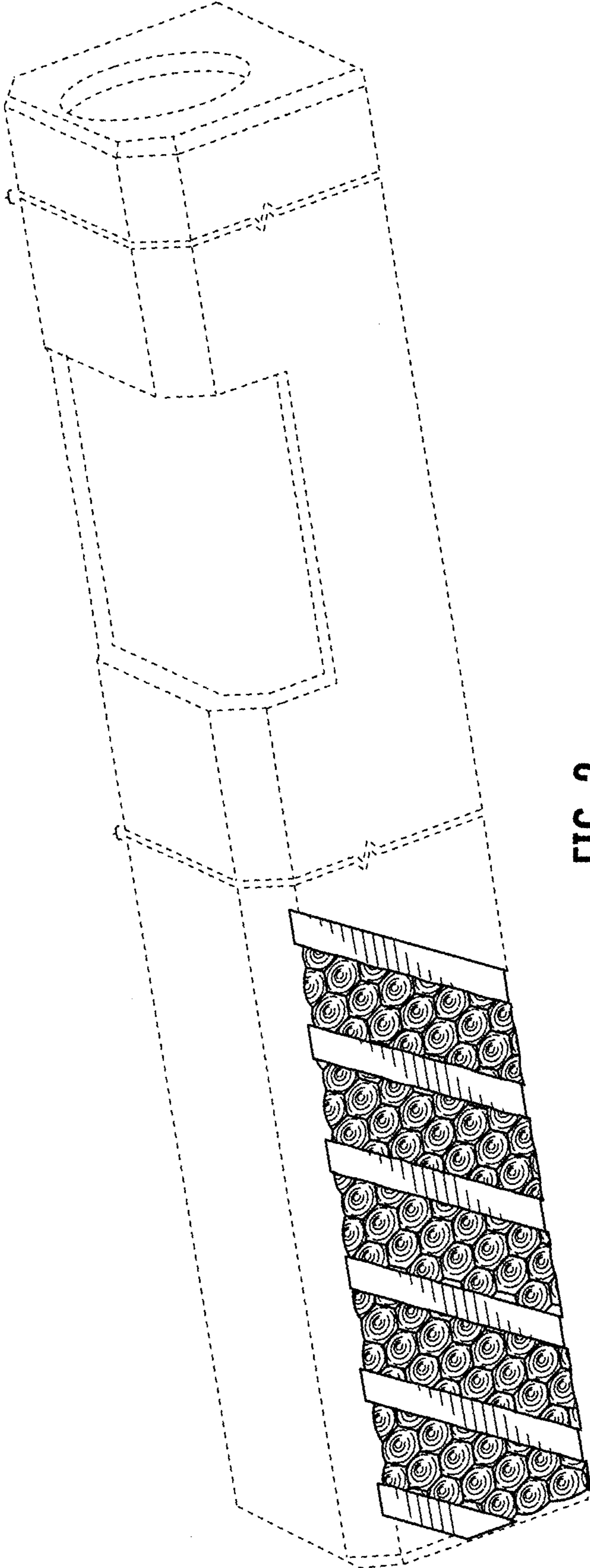


FIG. 2

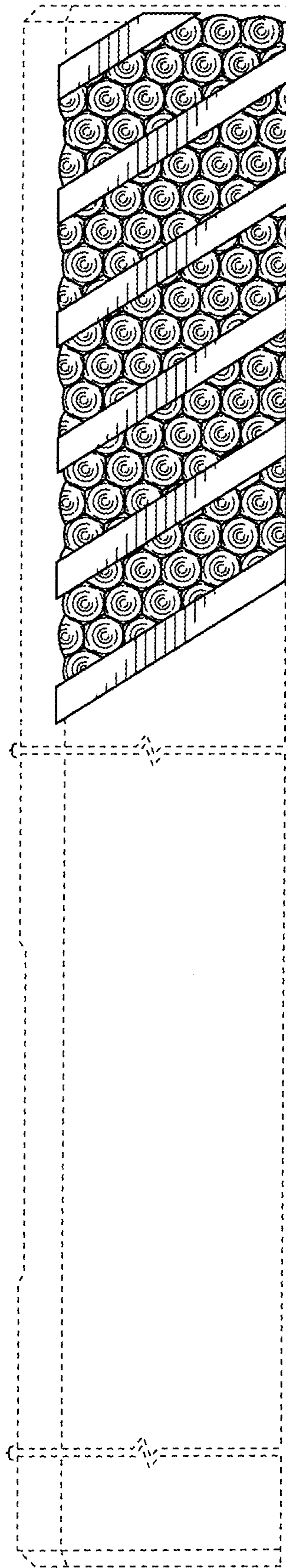


FIG. 3

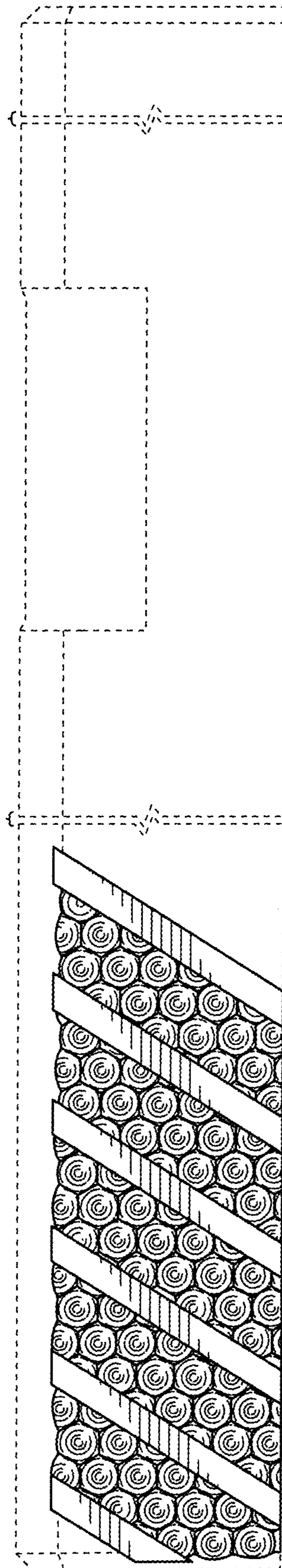


FIG. 4

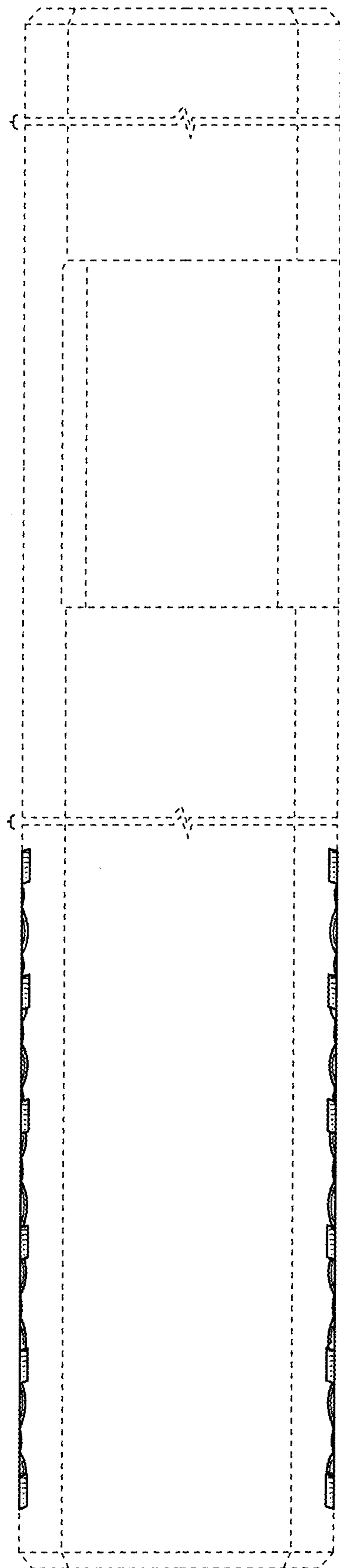


FIG. 5

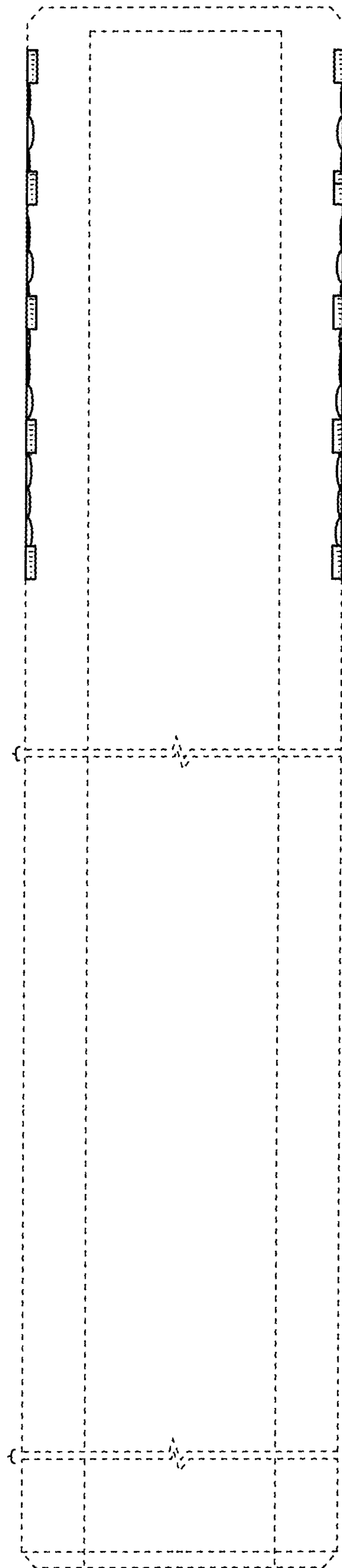


FIG. 6

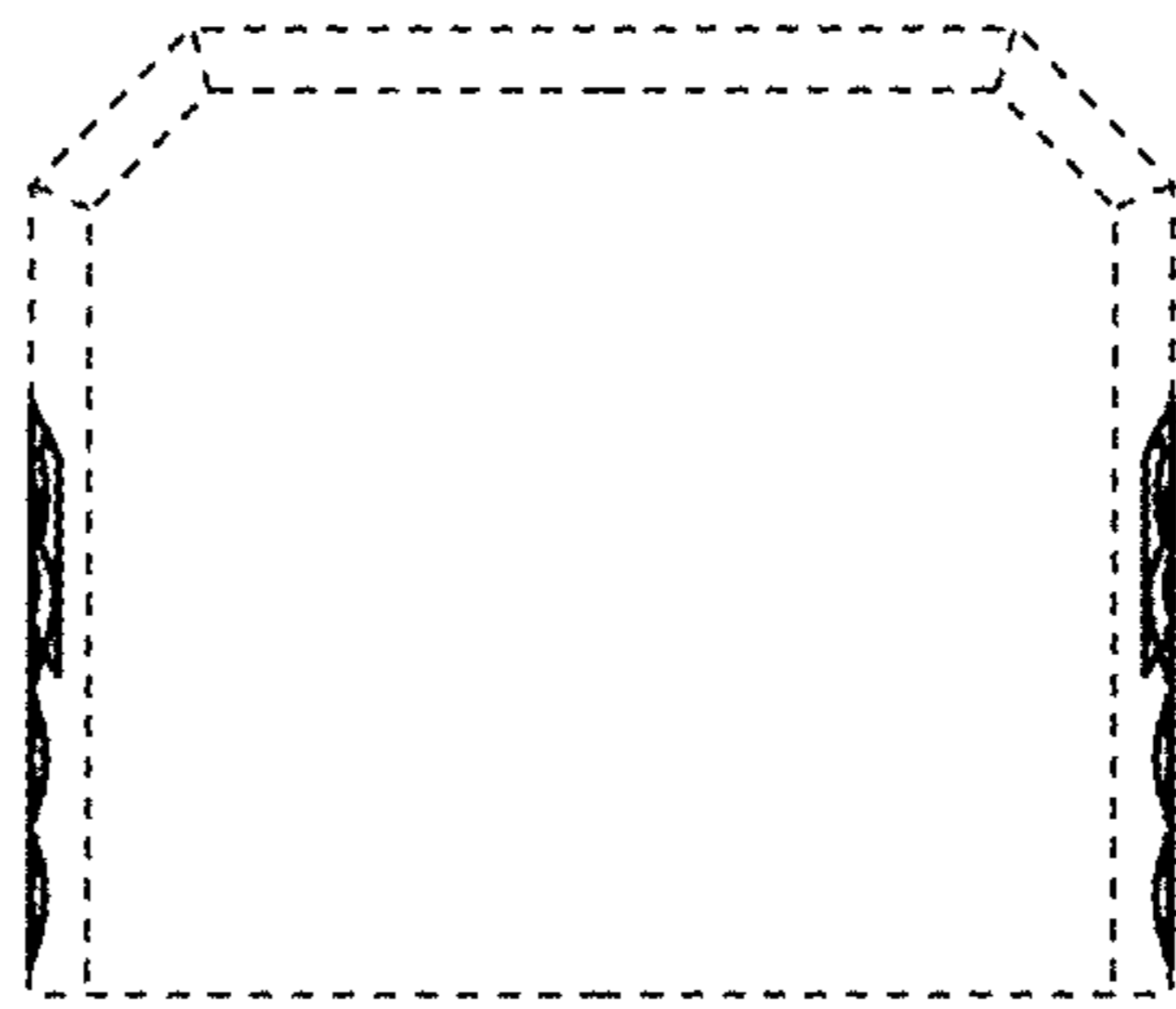


FIG. 7

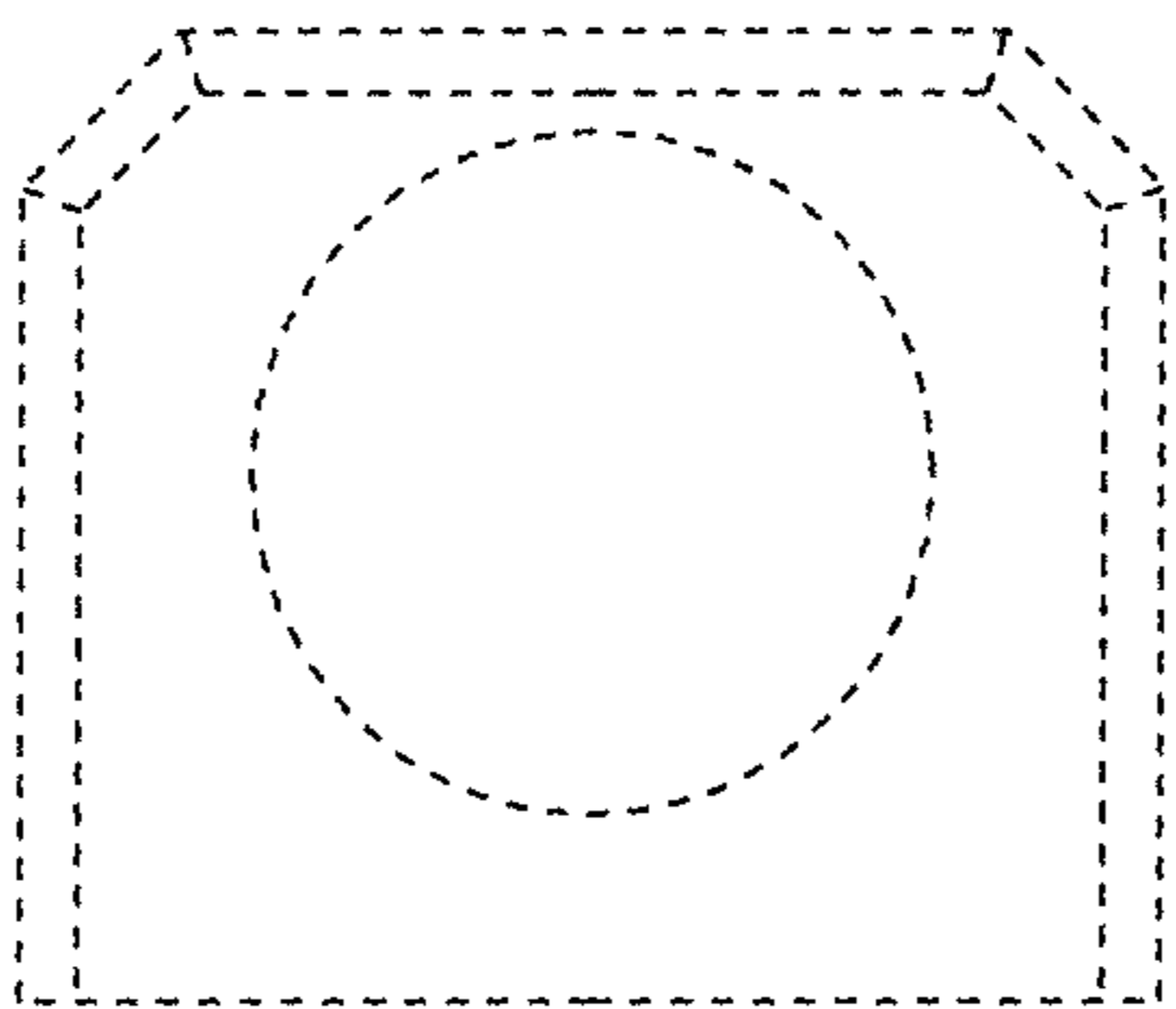


FIG. 8