



US00D904543S

(12) **United States Design Patent** (10) **Patent No.:** **US D904,543 S**
Chin (45) **Date of Patent:** **** Dec. 8, 2020**

(54) **MAGAZINE RELEASE BUTTON**

(71) Applicant: **David Chin**, Irvine, CA (US)

(72) Inventor: **David Chin**, Irvine, CA (US)

(**) Term: **15 Years**

(21) Appl. No.: **29/677,471**

(22) Filed: **Jan. 21, 2019**

(51) **LOC (12) Cl.** **22-01**

(52) **U.S. Cl.**

USPC **D22/108**

(58) **Field of Classification Search**

USPC D22/100, 103, 108, 109, 113, 115, 116,
D22/199; D21/302, 567, 573

CPC F41C 7/00; F41C 23/16; F41G 1/02; F41G
1/027; F41G 1/14; F41J 1/10; F42B 6/10;
F42B 7/00; F42B 7/02; F41A 17/38

See application file for complete search history.

(56) **References Cited**

U.S. PATENT DOCUMENTS

4,759,144	A *	7/1988	Egan	F41A 17/38 42/7
D428,101	S *	7/2000	Rost	D22/100
6,141,895	A *	11/2000	Rost	F41A 17/38 42/6
D671,612	S *	11/2012	Azhocar	F41A 17/38 D22/108
D717,392	S *	11/2014	Fu	D22/108
9,182,186	B1 *	11/2015	Prince	F41A 17/38
9,518,792	B1 *	12/2016	Huang	F41A 35/00
D779,620	S *	2/2017	Huang	D22/108
D819,768	S *	6/2018	Dew	D22/108
D873,372	S *	1/2020	Shelton	D22/108
D875,872	S *	2/2020	Dew	D22/108
2011/0146127	A1 *	6/2011	Metzger	F41A 17/38 42/7

OTHER PUBLICATIONS

“How to Remove and Replace the Mag Catch on a Sig P320 #343” [online]. Gun Stock Reviews. [Published Mar. 12, 2018]. Retrieved from the Internet: <<https://www.youtube.com/watch?v=aUJIAd3GQ7g>>.*

“Modular Magazine Release for Sig Sauer P320” [online]. strikeindustries.com. [Retrieved Feb. 28, 2020]. Retrieved from the Internet: <<https://www.strikeindustries.com/shop/products/pistol-accessories/sig-sauer/si-p320-mmr.html>>.*

* cited by examiner

Primary Examiner — Khawaja Anwar

Assistant Examiner — Mojtaba Tehrani

(74) *Attorney, Agent, or Firm* — Kafantaris Law Offices; Theo Kafantaris

(57) **CLAIM**

I claim the ornamental design for a magazine release button, as shown and described.

DESCRIPTION

FIG. 1 is a top plan view of a magazine release button, showing my new design;

FIG. 2 is a rear-left side perspective view thereof;

FIG. 3 is a front-left side perspective view thereof;

FIG. 4 is a front view thereof;

FIG. 5 is a rear-side perspective view thereof; and,

FIG. 6 is a bottom view thereof.

The broken lines in the drawings depict unclaimed portions of the magazine release button only and form no part of the claimed design.

1 Claim, 3 Drawing Sheets

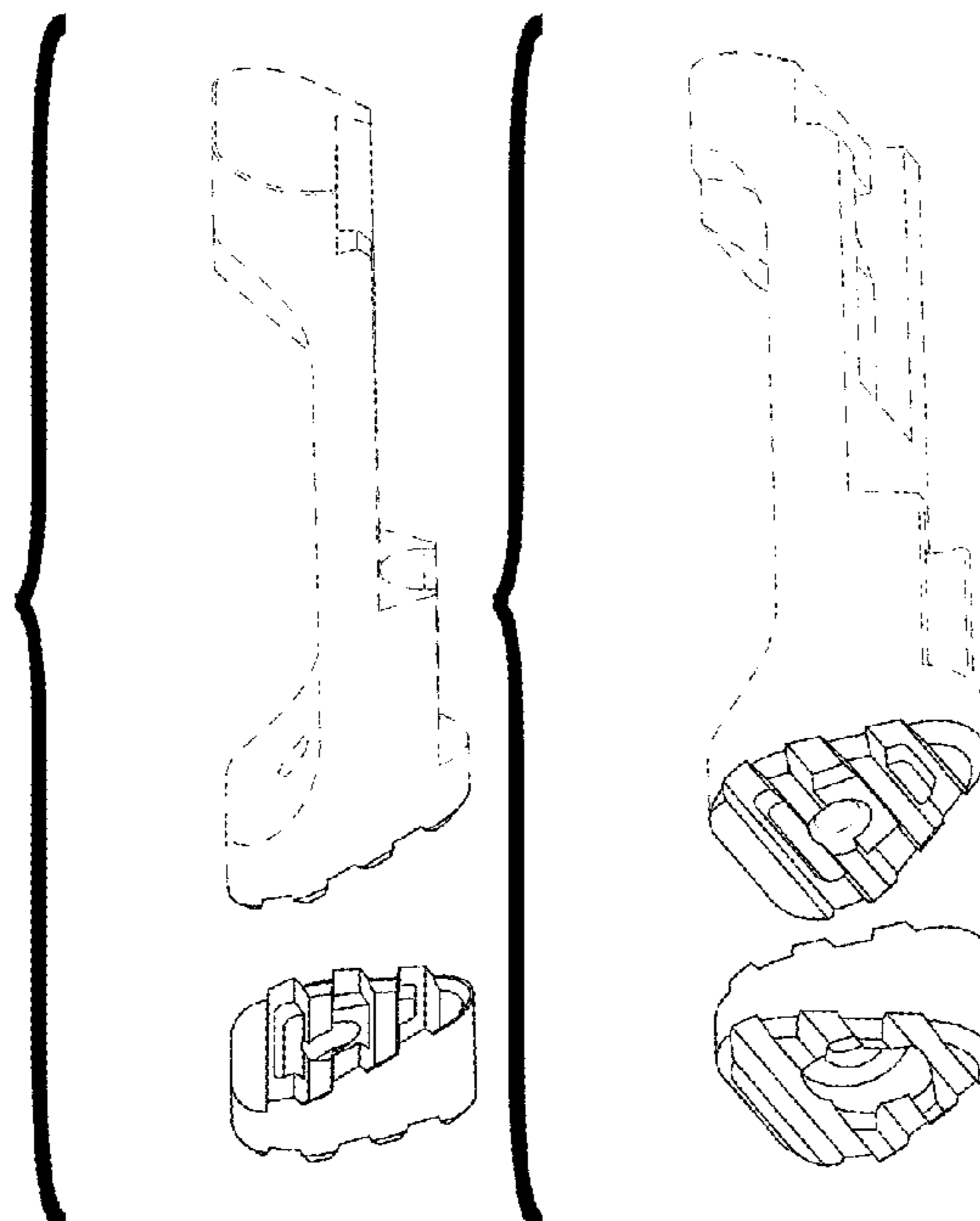


FIG. 1

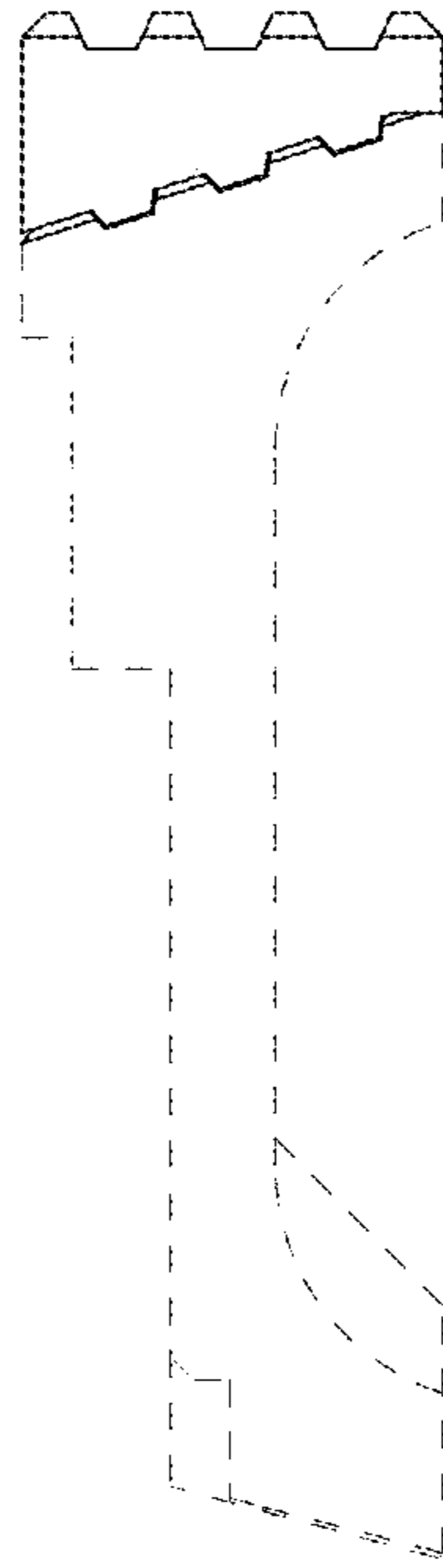


FIG. 2

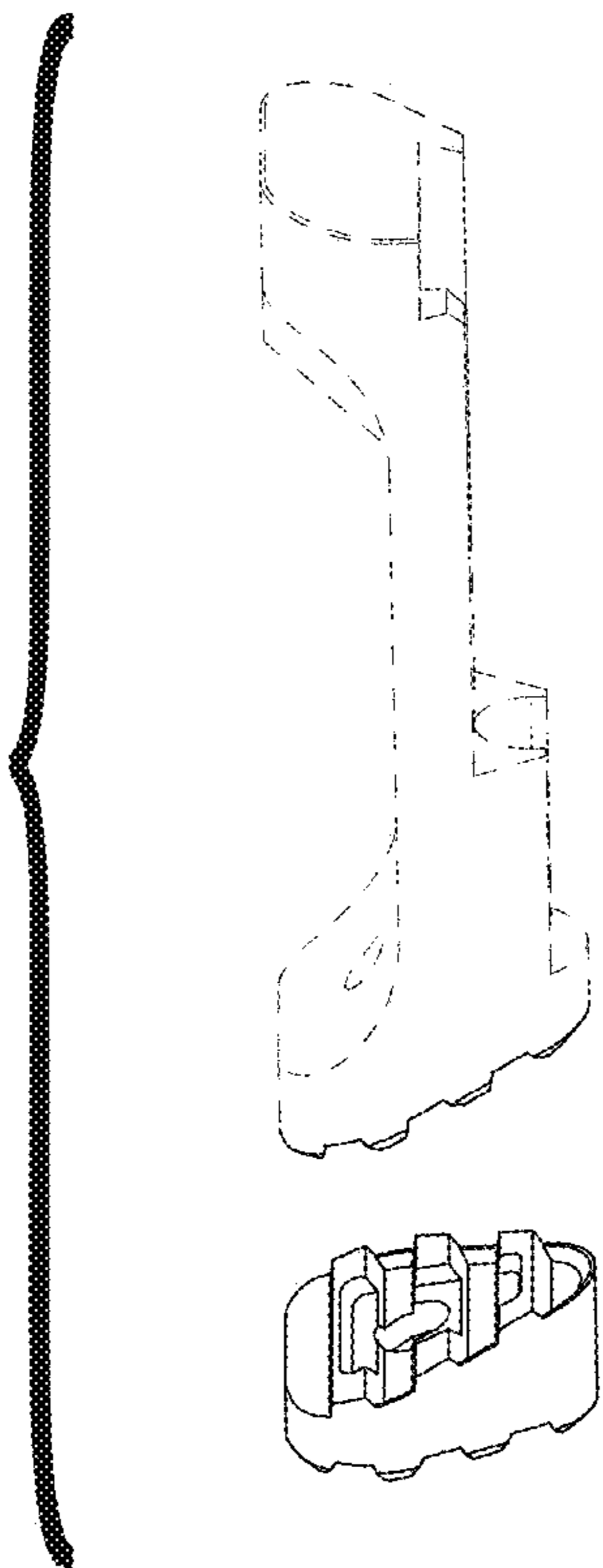


FIG. 3

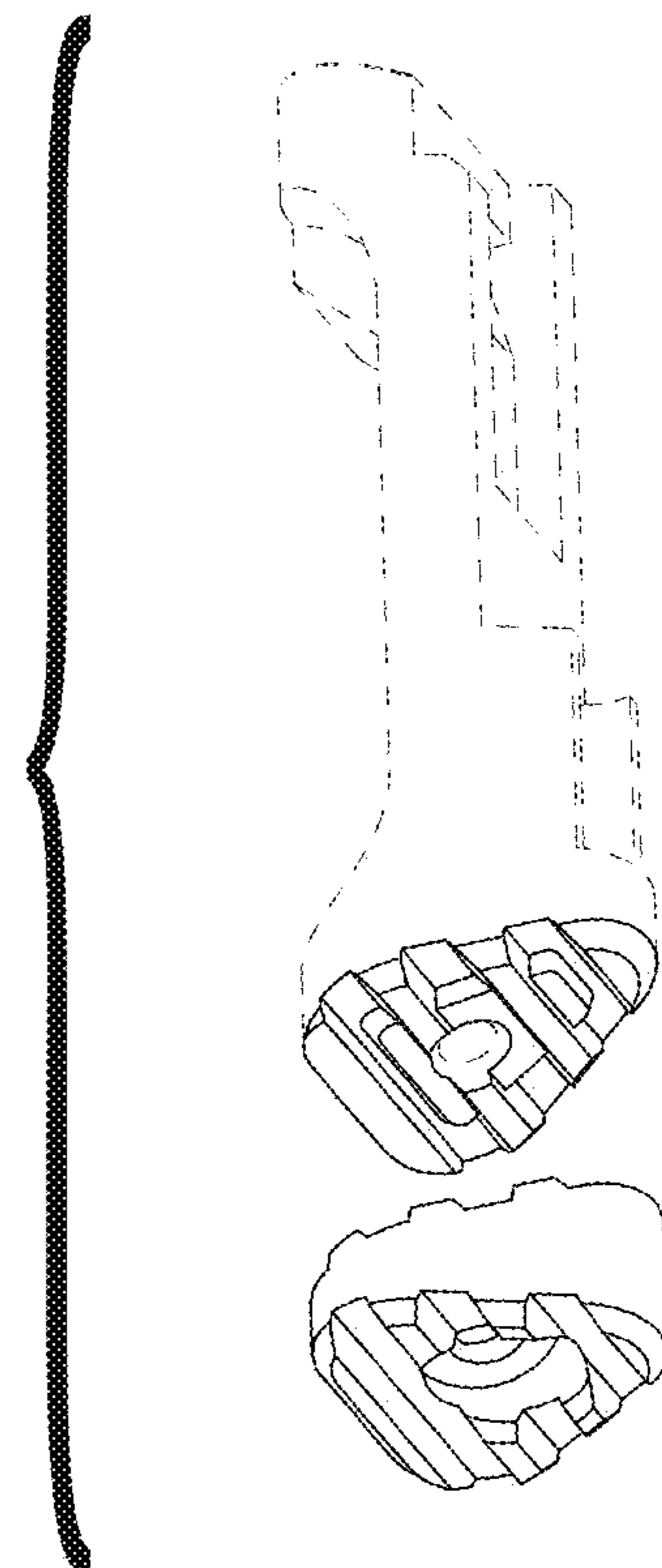


FIG. 4

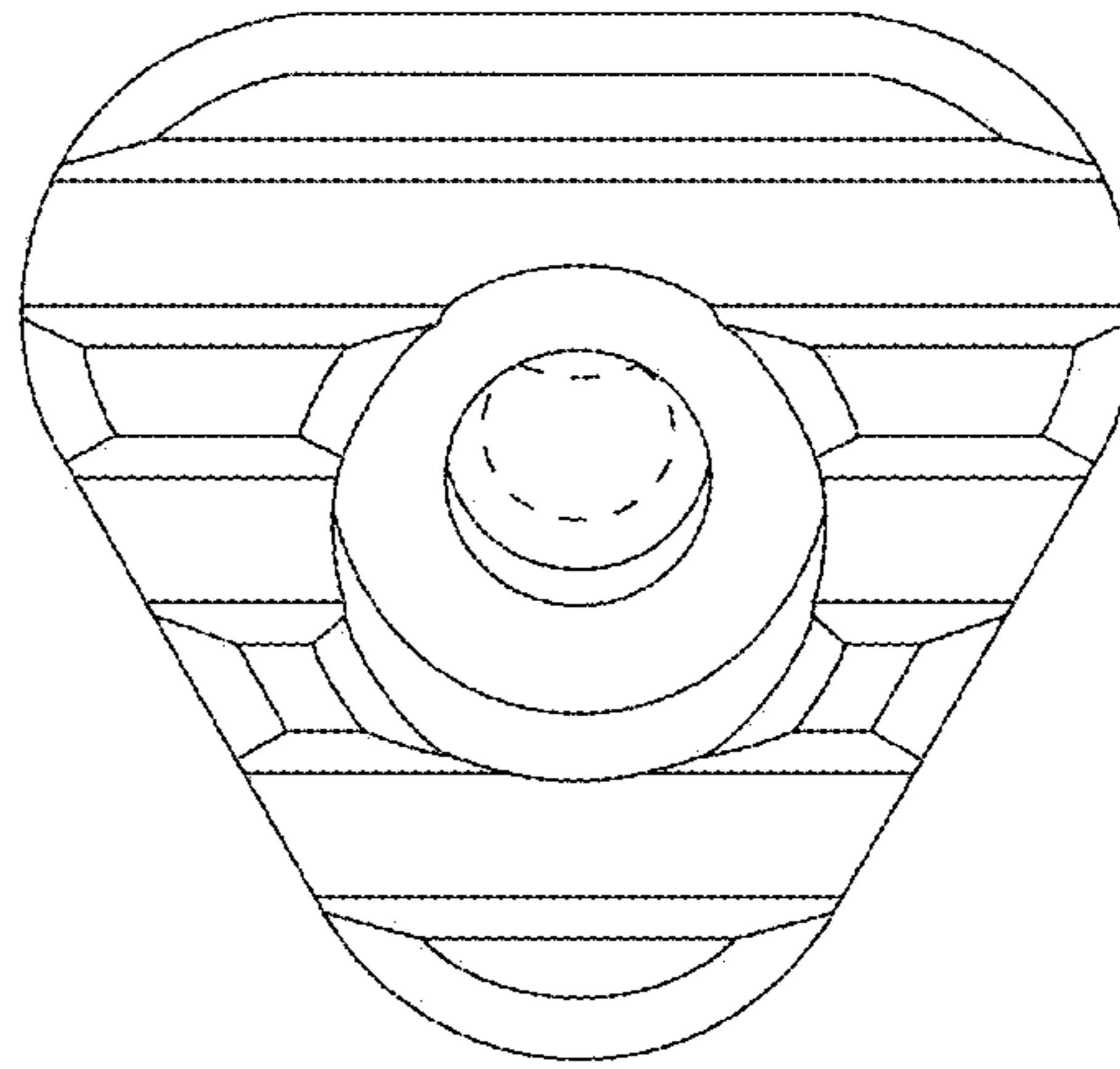


FIG. 5

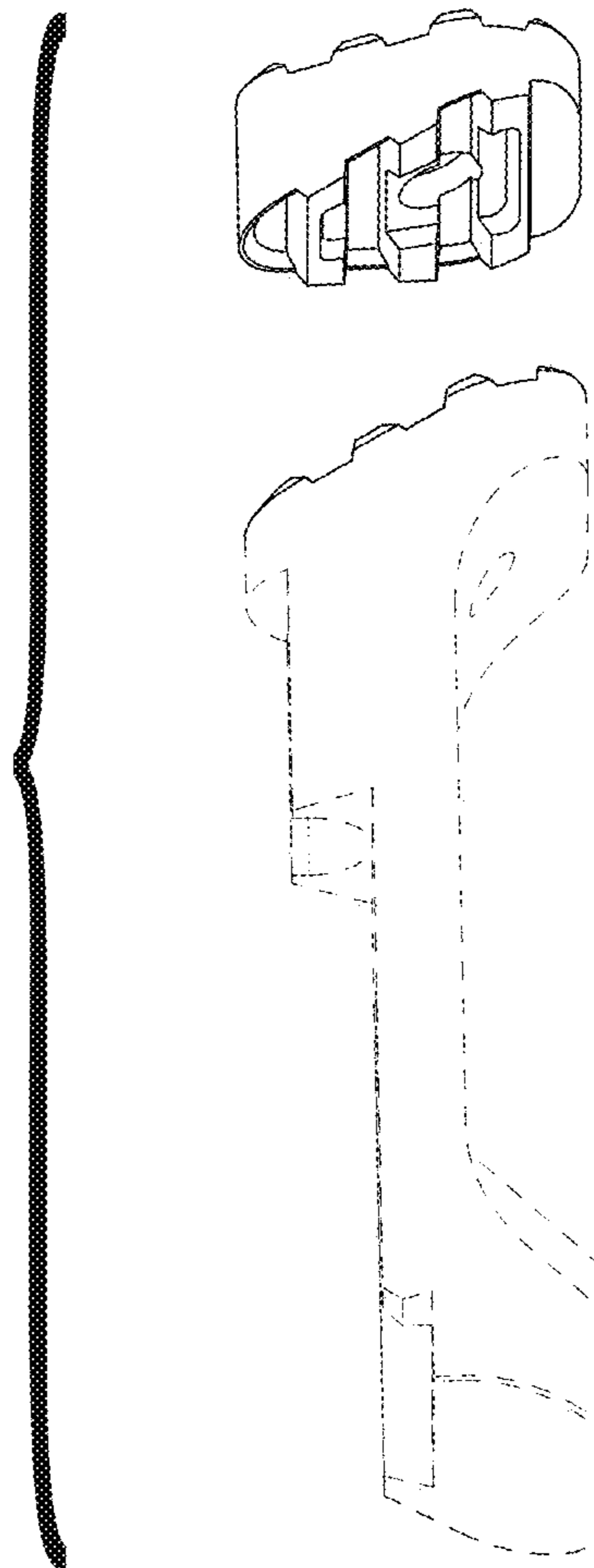


FIG. 6

