



US00D904542S

(12) **United States Design Patent** (10) **Patent No.:** **US D904,542 S**
Rofkahr, Jr. et al. (45) **Date of Patent:** **** Dec. 8, 2020**

(54) **OVATE TRIGGER DAMPENING ABSORBER**

(71) Applicants: **James J. Rofkahr, Jr.**, Altus, AR (US);
Michael D. Rofkahr, Ozark, AR (US)

(72) Inventors: **James J. Rofkahr, Jr.**, Altus, AR (US);
Michael D. Rofkahr, Ozark, AR (US)

(**) Term: **15 Years**

(21) Appl. No.: **29/656,075**

(22) Filed: **Jul. 10, 2018**

(51) **LOC (12) Cl.** **22-01**

(52) **U.S. Cl.**
USPC **D22/108**

(58) **Field of Classification Search**
USPC D22/100–111, 115–116, 119–120, 199;
D21/300, 301, 573–575
CPC . F41G 1/02; F41G 1/027; F41G 1/033; F41G
1/06; F41G 3/26; F41C 23/10; F41C
23/16; F41J 1/00
See application file for complete search history.

(56) **References Cited**

U.S. PATENT DOCUMENTS

D26,575 S *	2/1897	Miller	D1/106
D288,984 S *	3/1987	Scheurer	D3/211
D475,451 S *	6/2003	Bell	D24/101
6,589,925 B1 *	7/2003	Binstock	C11D 17/0078
				510/141
6,663,479 B2 *	12/2003	Sendelbeck	B24D 15/023
				451/504
6,705,743 B1 *	3/2004	Elembaby	G09F 13/04
				362/235
D523,494 S *	6/2006	Van Straaten	D21/662
D661,566 S *	6/2012	Comstock	D8/90
D685,963 S *	7/2013	Timm	D32/40
D687,510 S *	8/2013	Medina, III	D22/119
D729,974 S *	5/2015	Sommarstrom	D27/100

D779,601 S *	2/2017	Scholder	A63B 21/4039
				D21/686
D790,036 S *	6/2017	Gerhards	D23/208
D841,120 S *	2/2019	Schepp	D23/208
D857,144 S *	8/2019	Pagac	D22/108
D868,926 S *	12/2019	Rofkahr, Jr.	D22/108
D868,927 S *	12/2019	Rofkahr, Jr.	D22/108
D886,226 S *	6/2020	Rofkahr, Jr.	D22/108
D886,227 S *	6/2020	Rofkahr, Jr.	D22/108
D886,228 S *	6/2020	Rofkahr, Jr.	D22/108
2010/0184567 A1 *	7/2010	Lim	A63B 26/00
				482/23

(Continued)

Primary Examiner — Khawaja Anwar

Assistant Examiner — Mojtaba Tehrani

(74) *Attorney, Agent, or Firm* — Keisling & Pieper PLC;
David B. Pieper; Trent C. Keisling

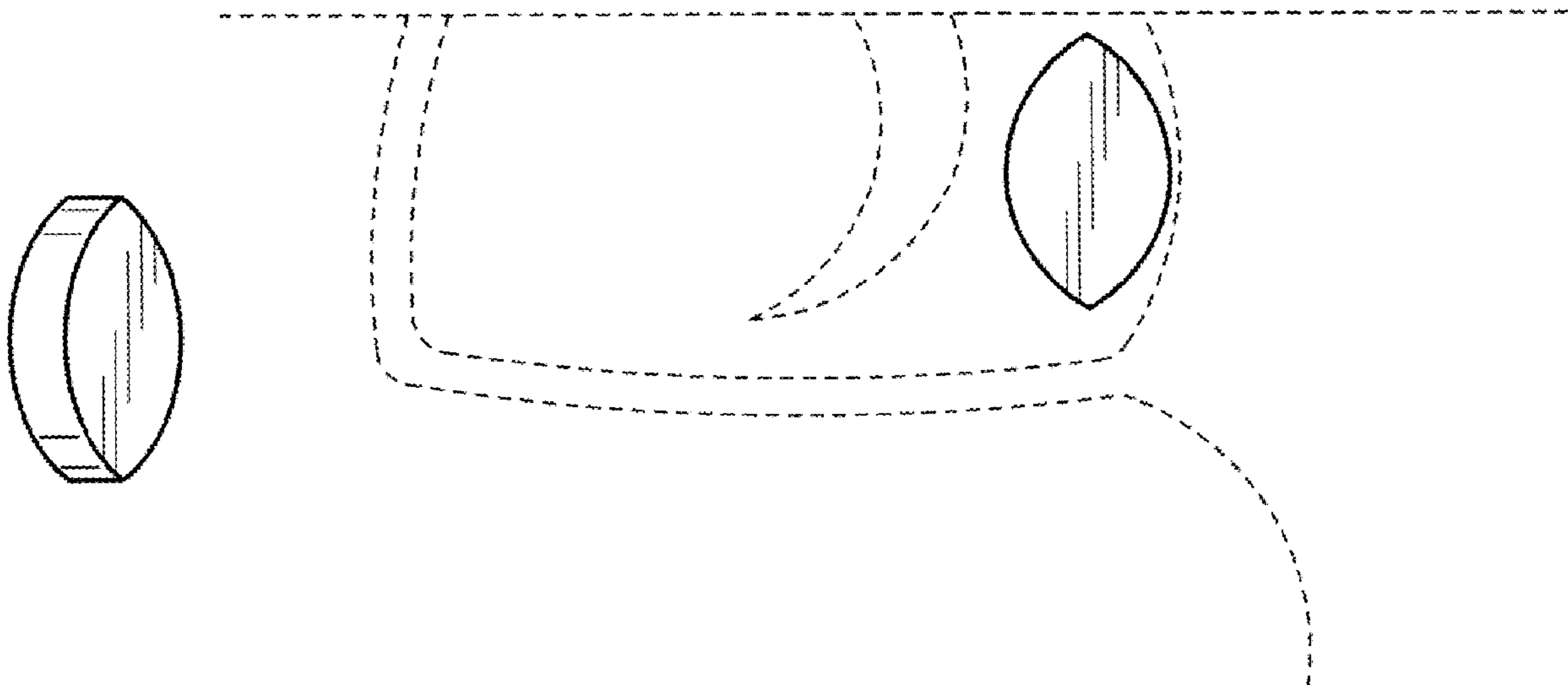
(57) **CLAIM**

The ornamental design for an ovate trigger dampening absorber, as shown and described.

DESCRIPTION

FIG. 1 is a perspective view of an ovate trigger dampening absorber showing our new design;
FIG. 2 is another perspective view thereof;
FIG. 3 is a top elevational view thereof;
FIG. 4 is a left side elevational view thereof;
FIG. 5 is a front elevational view thereof; and,
FIG. 6 is a right side elevational view thereof;
FIG. 7 is a back elevational view thereof; and
FIG. 8 is a bottom elevational view thereof; and,
FIG. 9 is an environmental view thereof showing an installation between the trigger mechanism and frame of a gun. The broken lines showing the trigger mechanism and frame of a gun are for the purpose of illustrating environmental structure and form no part of the claimed design.

1 Claim, 1 Drawing Sheet



(56)

References Cited

U.S. PATENT DOCUMENTS

2013/0029815 A1* 1/2013 Lu A63B 26/003
482/142
2013/0190151 A1* 7/2013 Scholder A63B 21/4039
482/142

* cited by examiner

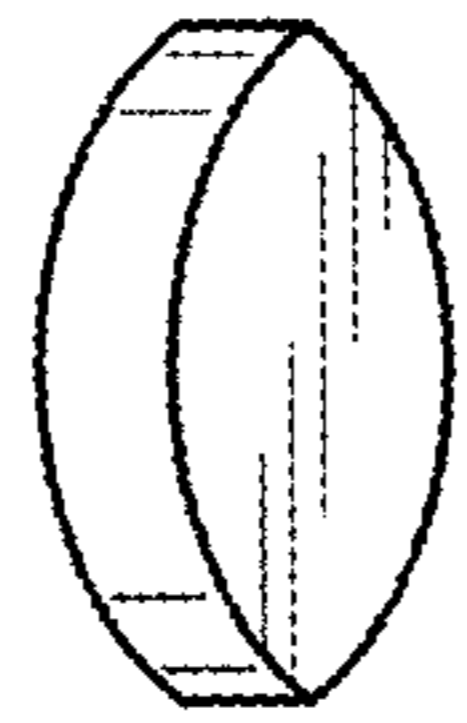


FIG. 1

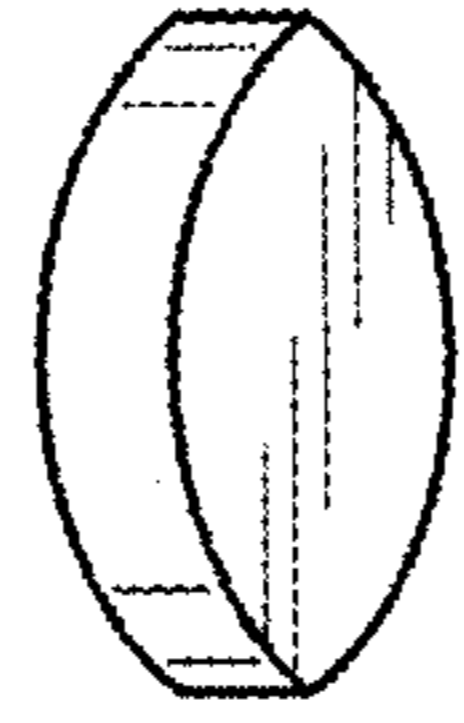


FIG. 2



FIG. 3



FIG. 4

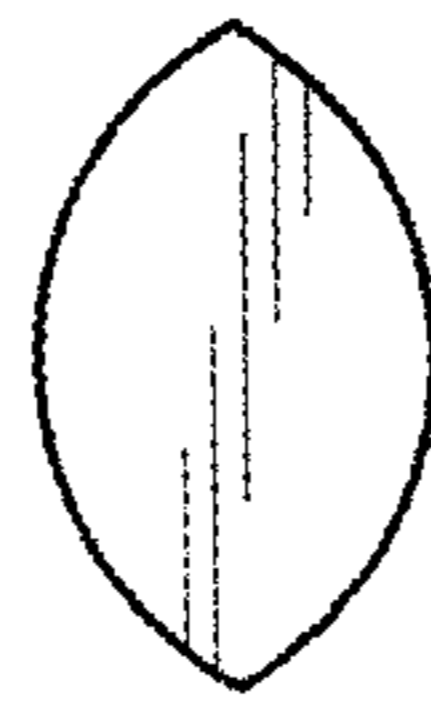


FIG. 5



FIG. 6



FIG. 7



FIG. 8

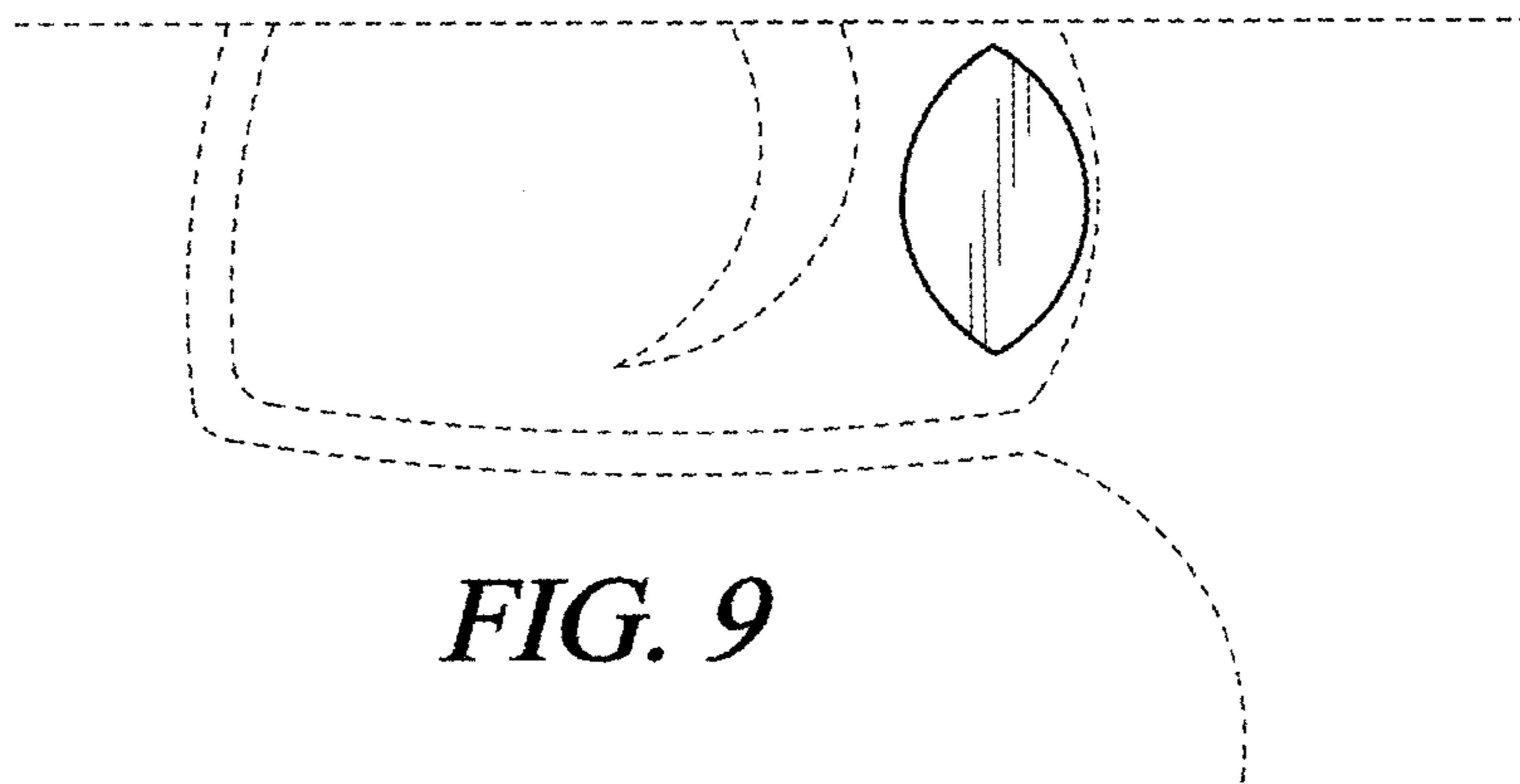


FIG. 9