



US00D904539S

(12) **United States Design Patent** (10) **Patent No.:** **US D904,539 S**
Barrett et al. (45) **Date of Patent:** **** Dec. 8, 2020**

(54) **INFLATABLE DEVICE**
(71) Applicant: **FUNBOY, LLC**, Seattle, WA (US)
(72) Inventors: **Blake Miller Barrett**, Seattle, WA (US); **Maxwell Page Barrett**, Seattle, WA (US)
(73) Assignee: **FUNBOY, LLC**, Seattle, WA (US)

D414,235 S * 9/1999 Peterson D21/801
D455,928 S 4/2002 Fisher et al.
D544,061 S * 6/2007 Kuchler D21/803
D565,496 S 4/2008 Disla
D571,429 S 6/2008 Roberts
D585,953 S 2/2009 Chen
7,547,238 B1 * 6/2009 Melancon B63C 11/49
441/135
D718,400 S 11/2014 Swift
D752,500 S 3/2016 Woods
(Continued)

(**) Term: **15 Years**
(21) Appl. No.: **29/714,647**
(22) Filed: **Nov. 25, 2019**

Related U.S. Application Data

(63) Continuation of application No. 29/639,026, filed on Mar. 2, 2018, now Pat. No. Des. 868,188.
(51) **LOC (12) Cl.** **21-02**
(52) **U.S. Cl.**
USPC **D21/808**; D21/803
(58) **Field of Classification Search**
USPC D21/803, 808, 809; D6/588, 596-597;
D1/116-119, 106, 127, 128, 129;
D30/160
CPC A63H 3/06
See application file for complete search history.

References Cited

U.S. PATENT DOCUMENTS

5,044,030 A 9/1991 Balaton
5,076,189 A * 12/1991 Jones B62B 17/00
114/253
D334,912 S * 4/1993 Harman D12/316
D343,980 S * 2/1994 Torchia D21/809
D351,009 S * 9/1994 Wolfe D12/316
5,394,820 A * 3/1995 Dach B63B 34/00
114/55.58
D393,683 S * 4/1998 Song D12/316
D394,095 S * 5/1998 Kuan D21/809

OTHER PUBLICATIONS

“Swimline Classic Cruiser” Apr. 18, 2019, Amazon.com, site visited May 25, 2020: <https://www.amazon.com/dp/B07M85WP5Z/> (Year: 2019).*

(Continued)

Primary Examiner — Jack Reickel
Assistant Examiner — Melvin L Davis
(74) *Attorney, Agent, or Firm* — Lee & Hayes, P.C.

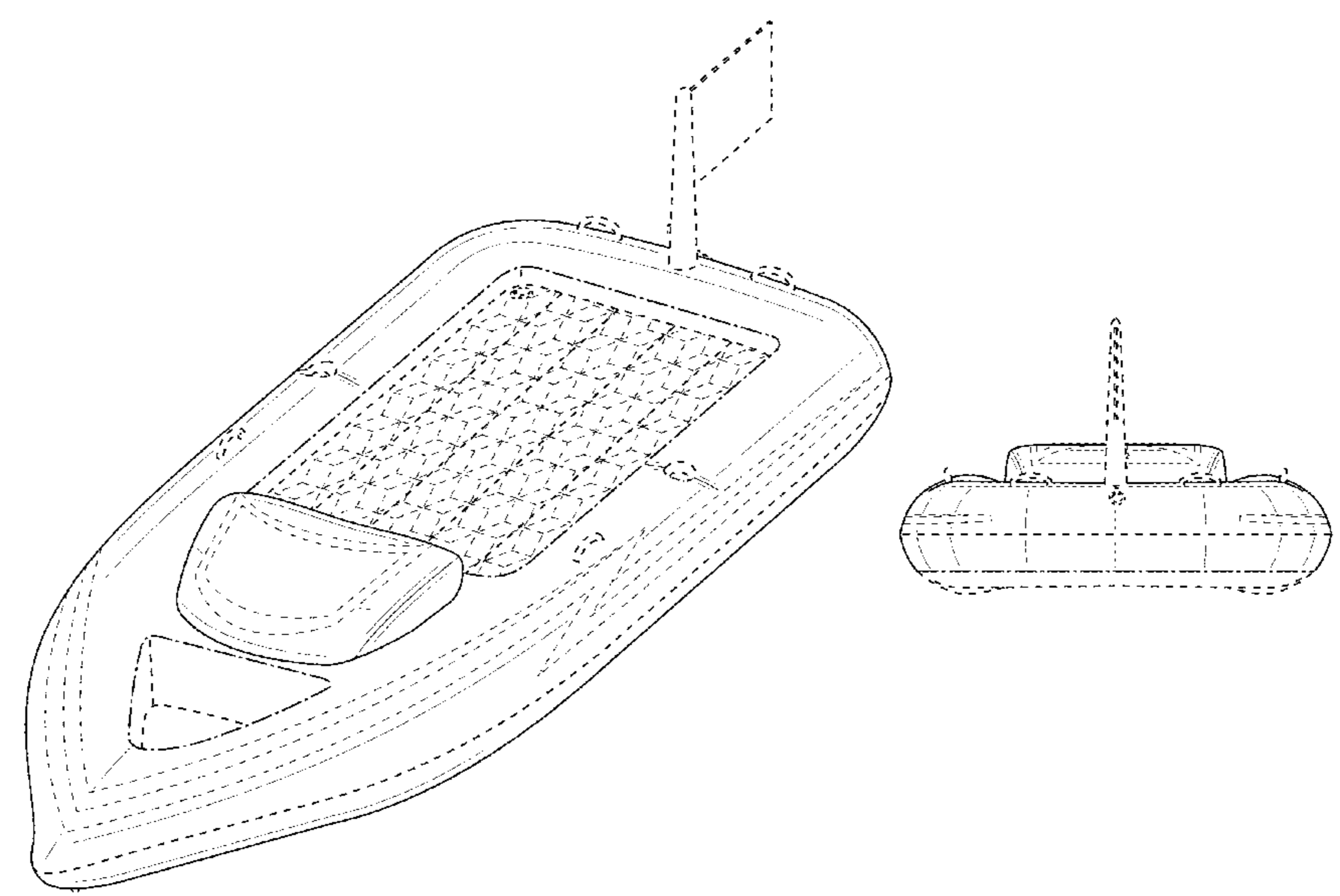
CLAIM

(57) The ornamental design for an inflatable device, as shown and described.

DESCRIPTION

FIG. 1 is a front perspective view of an inflatable device; FIG. 2 is a front view thereof; FIG. 3 is a back view thereof; FIG. 4 is a left-side view thereof; FIG. 5 is a right-side view thereof; FIG. 6 is a top view thereof; and, FIG. 7 is a bottom view thereof. The dashed broken lines depict portions of the inflatable device that form no part of the claimed design. The dot-dashed broken lines represent boundaries of the claimed inflatable device and form no part of the claimed design.

1 Claim, 7 Drawing Sheets



(56)

References Cited

U.S. PATENT DOCUMENTS

D807,458 S	1/2018	Robinson	
D821,523 S *	6/2018	Kasper	D21/803
D823,966 S	7/2018	Berenson	
D860,367 S *	9/2019	Barrett	D21/809
D868,188 S *	11/2019	Barrett	D21/808
2016/0096598 A1 *	4/2016	Harkrider	B63B 7/08 441/130

OTHER PUBLICATIONS

“This Inflatable 6-Person “Party Boat” Comes with Its Own Built-In Cooler” Jun. 28, 2019, <https://mymodernmet.com/>, site visited May 25, 2020: <https://mymodernmet.com/inflatable-boat-sun-pleasure/> (Year: 2019).*

“H2OGO! Unsinkable Submarine Rider Pool Float” Jun. 12, 2017, Amazon.com, site visited May 25, 2020: <https://www.walmart.com/ip/H2OGO-Unsinkable-Submarine-Rider-Pool-Float/55190492> (Year: 2017).*

“8 Best Inflatable Boats 2017” Mar. 17, 2017, site visited Jul. 27, 2020: <https://youtu.be/rabps4j1iol>(Year: 2017).*

“Intex Excursion Inflatable Boat Series” May 17, 2013, site visited Jul. 29, 2020: <https://www.amazon.com/Intex-Excursion-4-Person-Inflatable-Aluminum/dp/B00CMBJ1VE>(Year: 2013).*

FUNBOY Oversized Inflatable Pool Float, Aug. 27, 2016, retrieved from https://www.amazon.com/dp/B079W4G1YW/ref=cm_sw_r_tw_dp_U_x_CyyNCb2AMRNPF on Mar. 28, 2019, 11 pages.

FUNBOY, “The FUNBOY Yacht Pool Float—Come Aboard”, YouTube, retrieved on Jun. 13, 2019 at «<https://youtu.be/kul7kyc0OLg>», May 2017, 3 pages.

Office action for U.S. Appl. No. 29/639,026, dated Apr. 8, 2019, Barrett, “Inflatable Device”, 4 pages.

Oddity Mall, “There’s a Life-size Inflatable Speed Boat for Those That Can’t Afford the Real Thing”, retrieved Jun. 13, 2019 at «<https://odditymall.com/life-size-inflatable-speed-boat>», Jun. 9, 2019, 10 pages.

SwimOutlet, “Swimline SailBaby Baby Seat”, retrieved on Jun. 14, 2019 at « <https://web.archive.org/web/20151230233253/https://swimoutlet.com/p/swimline-sailbaby-baby-seat-7530655/>», Dec. 2015, 5 pages.

* cited by examiner

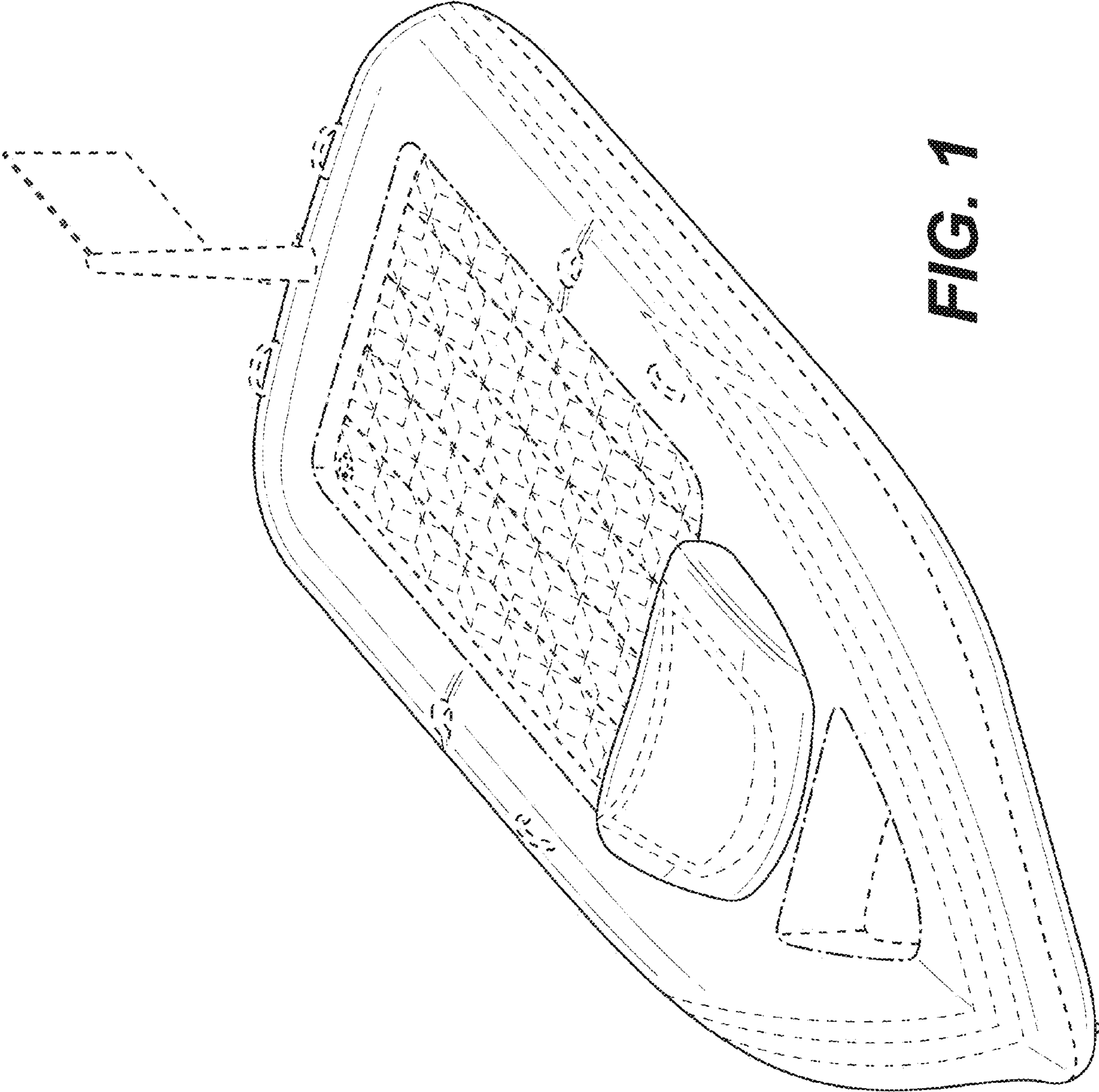


FIG. 1

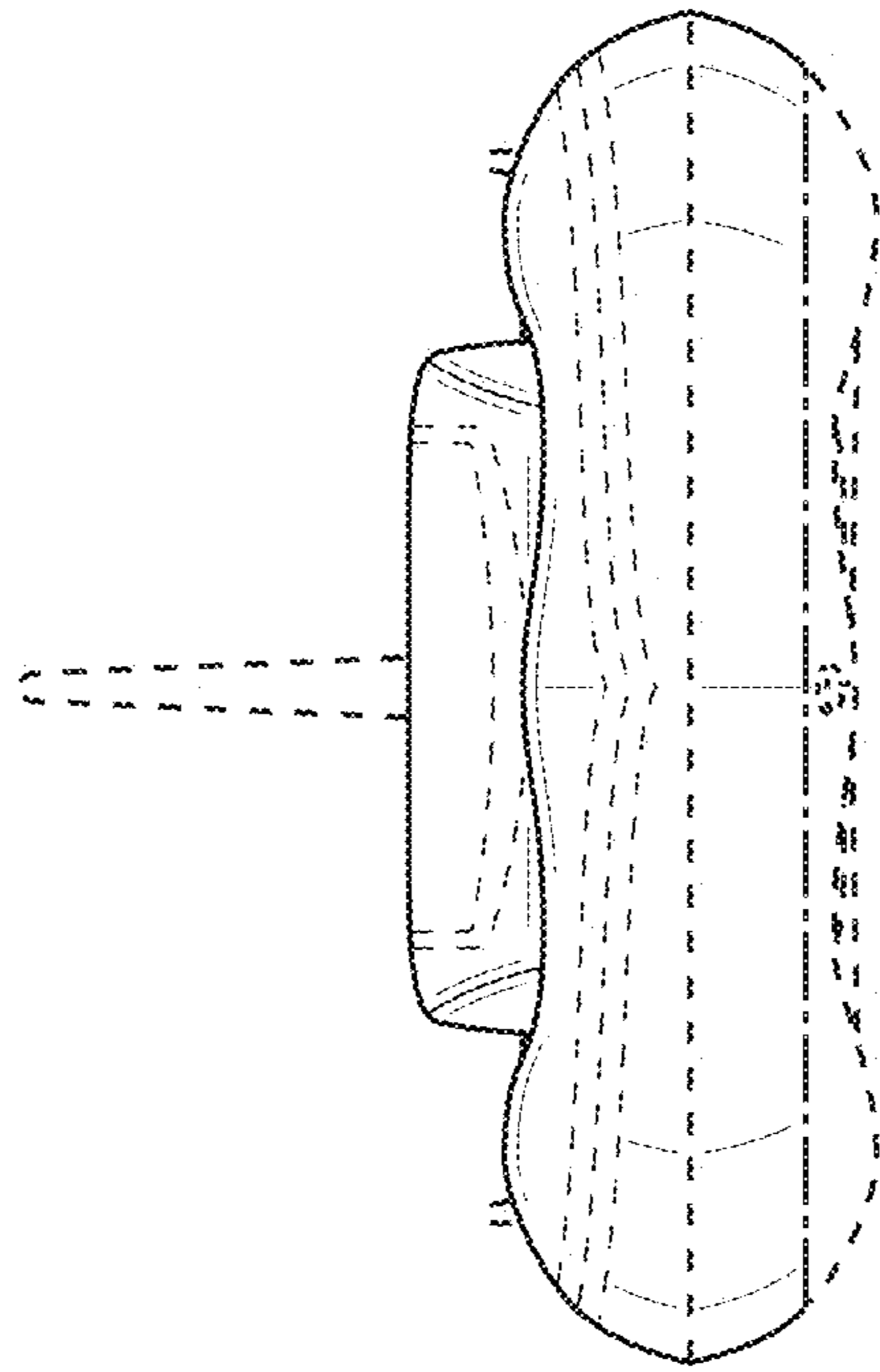


FIG. 2

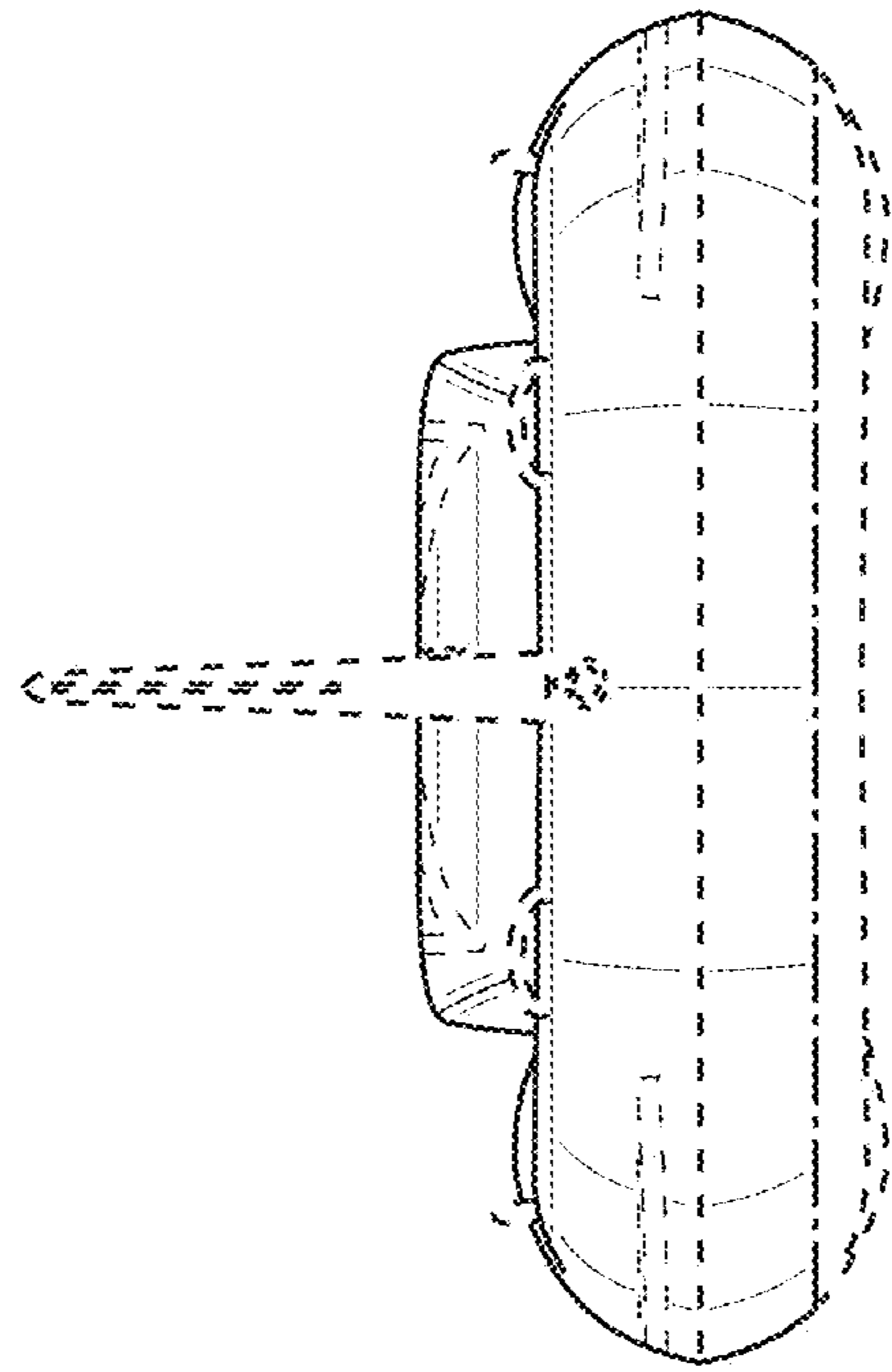


FIG. 3

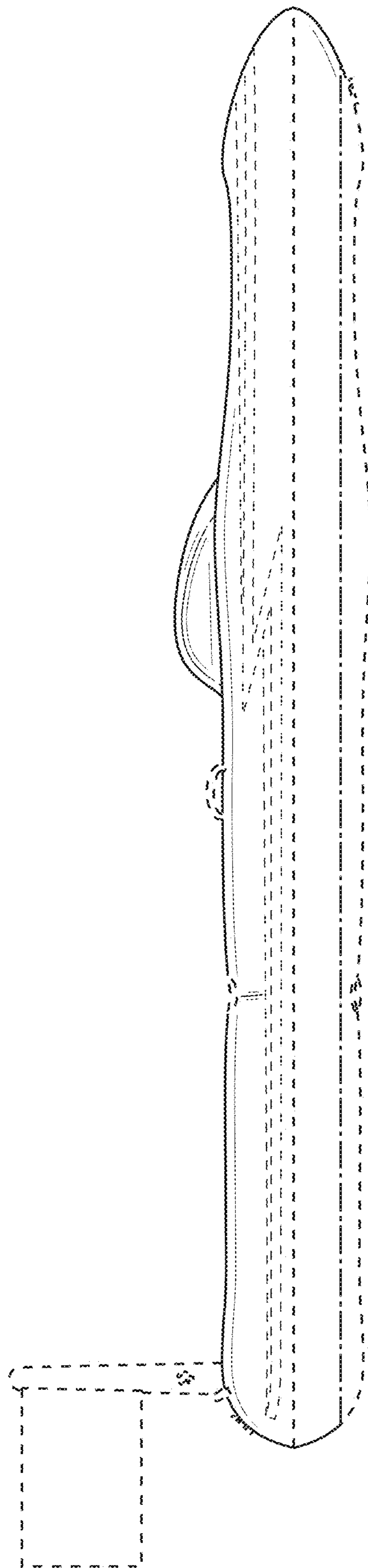


FIG. 4

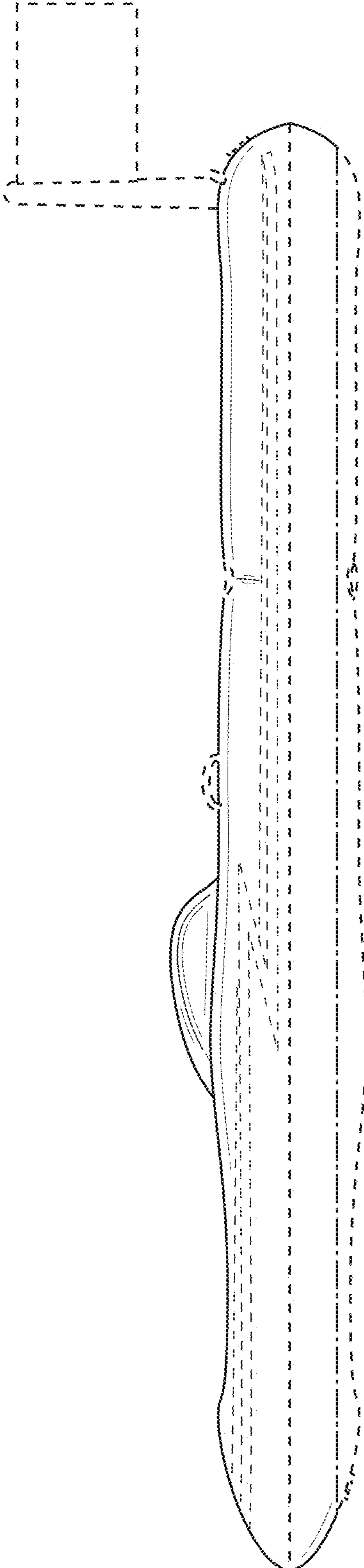


FIG. 5

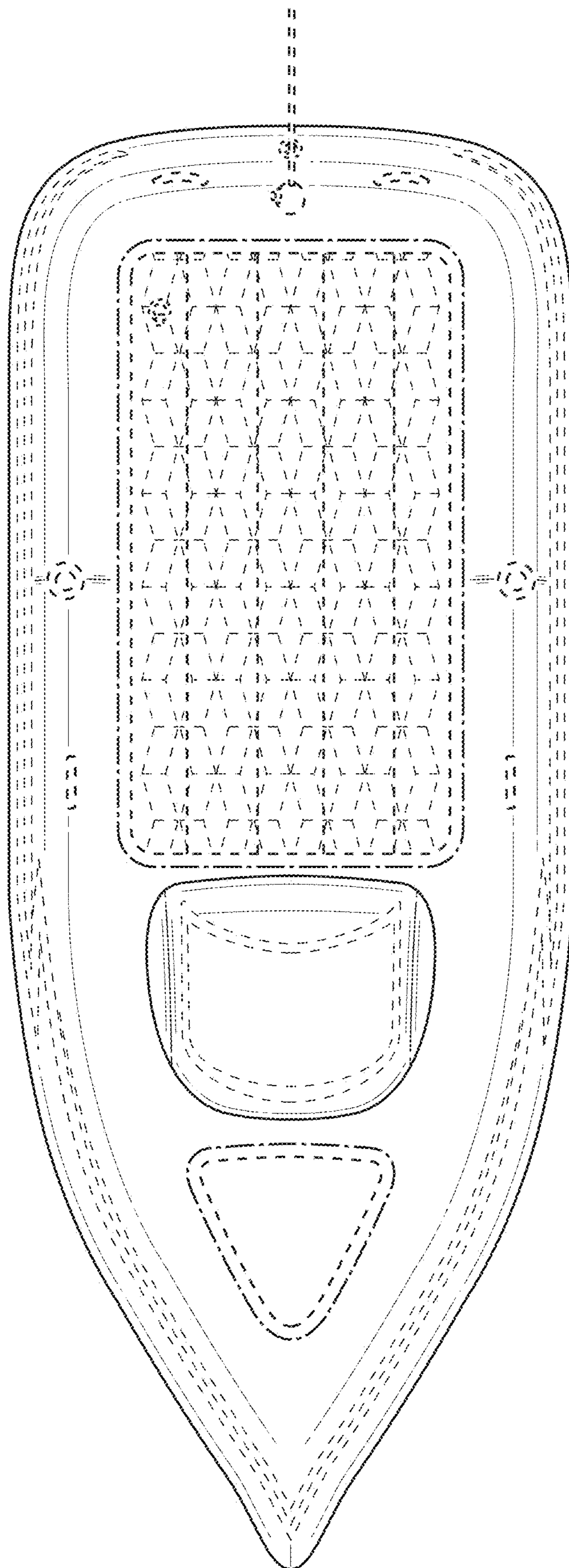


FIG. 6

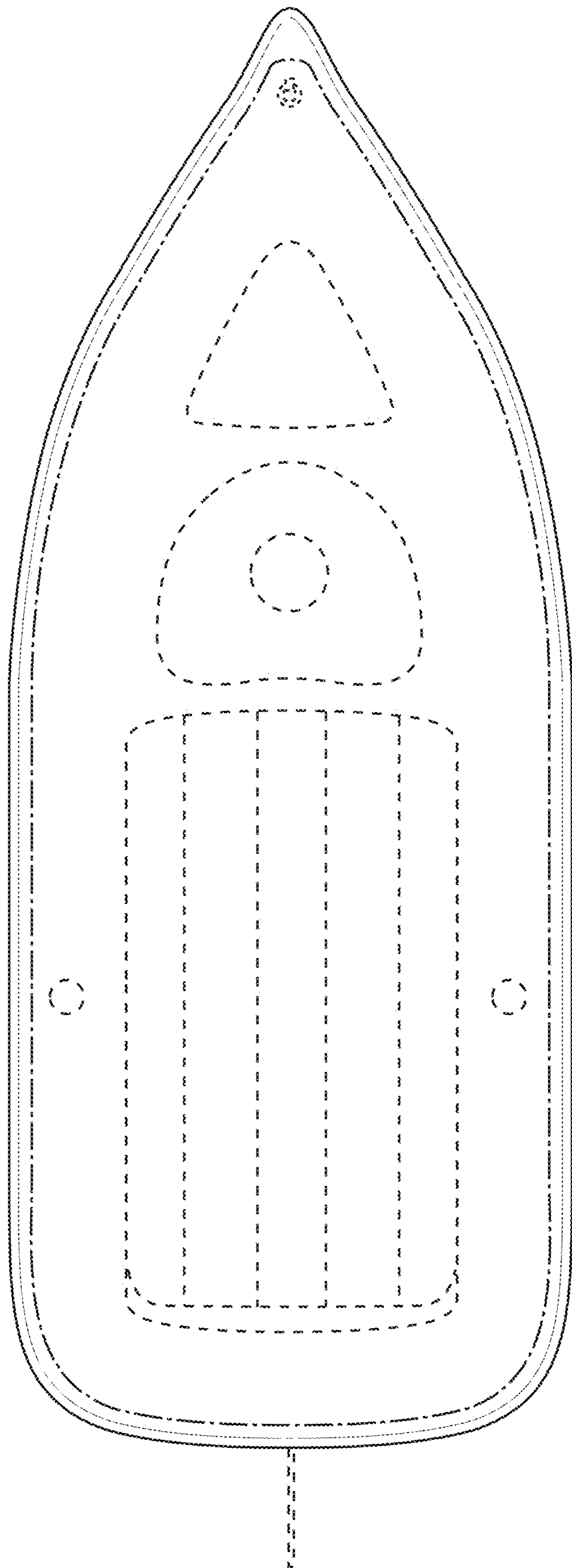


FIG. 7