



US00D904538S

(12) **United States Design Patent**
Greer et al.

(10) **Patent No.:** **US D904,538 S**

(45) **Date of Patent:** **** Dec. 8, 2020**

(54) **GOLF CLUB HEAD**

(71) Applicant: **KARSTEN MANUFACTURING CORPORATION**, Phoenix, AZ (US)

(72) Inventors: **Evan R. Greer**, Phoenix, AZ (US);
David A. Higdon, Cave Creek, AZ (US); **Jacob T. Clarke**, Phoenix, AZ (US)

(73) Assignee: **Karsten Manufacturing Corporation**, Phoenix, AZ (US)

(**) Term: **15 Years**

(21) Appl. No.: **29/693,548**

(22) Filed: **Jun. 3, 2019**

(51) **LOC (12) Cl.** **21-02**

(52) **U.S. Cl.**
USPC **D21/744**

(58) **Field of Classification Search**
USPC D21/736-746, 759
CPC A63B 53/00; A63B 53/04; A63B 53/007;
A63B 53/065; A63B 53/0487; A63B
60/00; A63B 60/46

See application file for complete search history.

(56) **References Cited**

U.S. PATENT DOCUMENTS

3,652,094 A	3/1972	Glover
3,884,477 A	5/1975	Bianco
4,030,766 A	6/1977	Derr
4,869,507 A	9/1989	Sahm
D316,129 S	4/1991	Bryson
5,275,412 A	1/1994	Innes
5,685,784 A	11/1997	Butler
5,746,664 A	5/1998	Reynolds
D402,343 S	12/1998	Helmstetter et al.
D405,836 S	2/1999	Nicolette et al.
D411,271 S	6/1999	Nelson

D413,951 S	9/1999	Storer et al.
D420,079 S	2/2000	Frazetta
6,048,275 A	4/2000	Gedeon
D427,262 S	6/2000	Frazetta
D429,297 S *	8/2000	Hettinger D21/744
6,159,108 A	12/2000	De La Pena

(Continued)

FOREIGN PATENT DOCUMENTS

CN	2920325 A	7/2007
CN	103252065 A	8/2013

(Continued)

OTHER PUBLICATIONS

Odyssey Works Tank Cruiser #1 w, <http://www.pgatoursuperstore.com/odyssey-works-tank-cruiser-1w/1000000005200.jsp> , Date Accessed: Dec. 14, 2016.

(Continued)

Primary Examiner — Mitchell I. Siegel

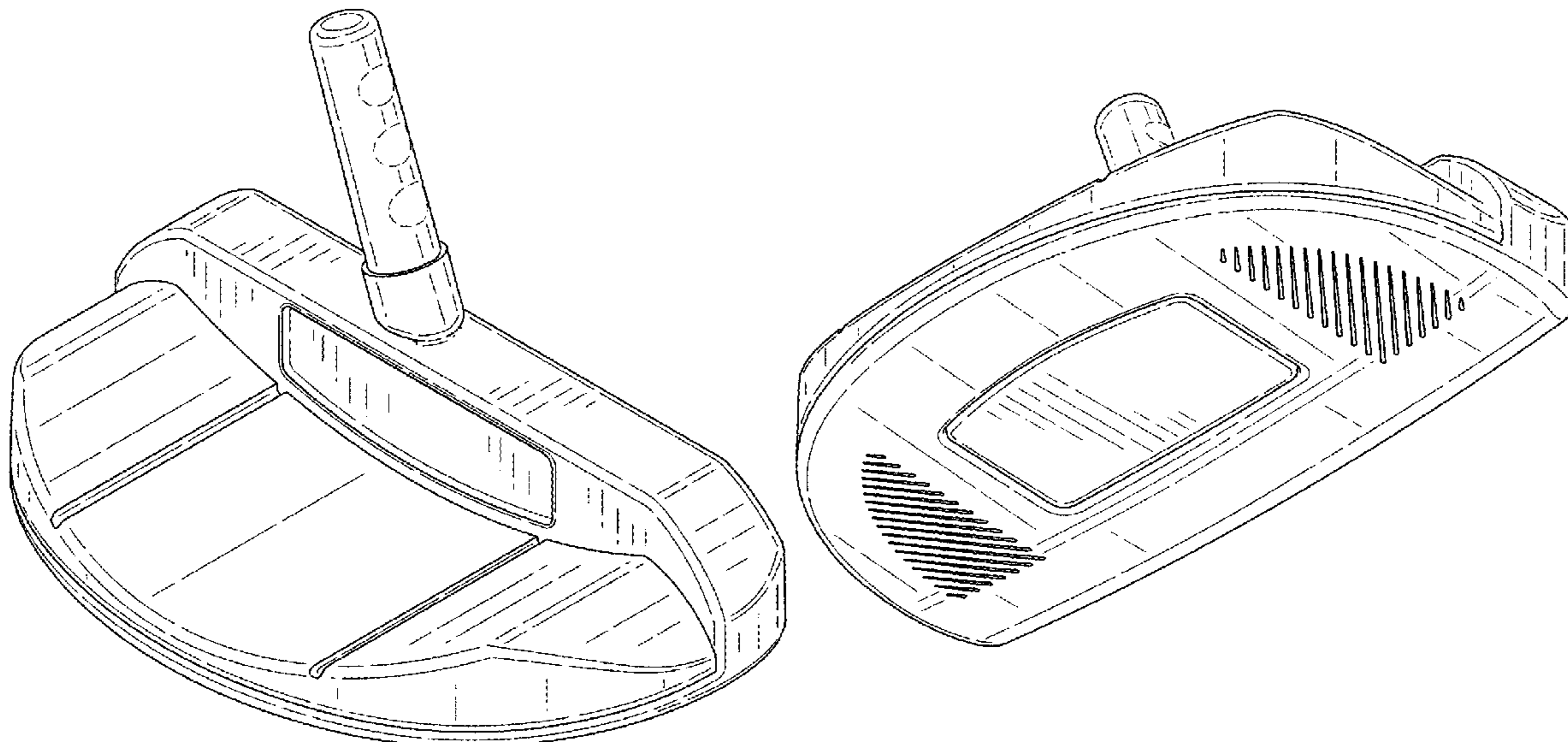
(57) **CLAIM**

The ornamental design for a golf club head, as shown and described.

DESCRIPTION

FIG. 1 is a top perspective view of a golf club head; FIG. 2 is a bottom perspective view of the golf club head of FIG. 1; FIG. 3 is a top view of the golf club head of FIG. 1; FIG. 4 is a bottom view of the golf club head of FIG. 1; FIG. 5 is a front view of the golf club head of FIG. 1; FIG. 6 is a rear view of the golf club head of FIG. 1; FIG. 7 is a toe side view of the golf club head of FIG. 1; and, FIG. 8 is a heel side view of the golf club head of FIG. 1. The broken lines in the figures show portions of golf club head that form no part of the claimed design.

1 Claim, 4 Drawing Sheets



(56)

References Cited

U.S. PATENT DOCUMENTS

D443,905 S 6/2001 Nicolette et al.
 D447,782 S * 9/2001 Hettinger D21/744
 D449,865 S 10/2001 Fife et al.
 D451,973 S 12/2001 Wells et al.
 6,379,259 B1 4/2002 Opie
 D463,517 S 9/2002 Ngong
 D472,949 S 4/2003 Serrano
 D484,937 S 1/2004 Madore et al.
 D488,526 S 4/2004 Souza et al.
 D500,109 S 12/2004 Solheim et al.
 D500,110 S 12/2004 Solheim et al.
 6,837,801 B1 1/2005 Souza et al.
 6,878,071 B1 4/2005 Schweiger et al.
 6,893,355 B2 5/2005 Souza et al.
 6,902,496 B2 6/2005 Solheim et al.
 D507,612 S 7/2005 Souza et al.
 6,926,615 B1 8/2005 Souza et al.
 D511,802 S * 11/2005 Cameron D21/744
 6,960,140 B2 11/2005 Solheim et al.
 6,966,845 B2 11/2005 Solheim et al.
 D514,181 S * 1/2006 Cameron D21/738
 D520,584 S 5/2006 Karlsen
 D521,582 S 5/2006 Souza et al.
 7,052,411 B2 5/2006 Solheim et al.
 D522,598 S 6/2006 Solheim et al.
 7,077,758 B2 7/2006 Rohrer
 7,086,957 B2 8/2006 Solheim et al.
 D527,777 S 9/2006 Solheim et al.
 D529,108 S 9/2006 Stites et al.
 7,121,956 B2 10/2006 Lo
 D532,847 S 11/2006 Rollinson
 D533,243 S 12/2006 Fife et al.
 7,235,021 B2 6/2007 Solheim et al.
 D548,295 S 8/2007 Jertson et al.
 7,255,650 B2 8/2007 Bryant et al.
 D552,197 S 10/2007 Wells et al.
 7,297,073 B2 11/2007 Jung
 D565,137 S 3/2008 Oldknow et al.
 D569,462 S 5/2008 Rollinson
 7,371,185 B1 5/2008 Rohrer
 D581,473 S 11/2008 Thomas
 D583,003 S 12/2008 Solheim et al.
 D587,325 S 2/2009 Solheim et al.
 D595,372 S 6/2009 Rollinson
 D600,760 S 9/2009 Serrano et al.
 D600,761 S 9/2009 Solheim et al.
 D600,762 S 9/2009 Serrano et al.
 7,601,076 B2 10/2009 Rollinson
 D604,782 S * 11/2009 Franklin D21/736
 D607,950 S 1/2010 Souza et al.
 D621,458 S 8/2010 Serrano et al.
 D621,460 S 8/2010 Serrano et al.
 D621,461 S 8/2010 Serrano et al.
 D621,462 S 8/2010 Serrano et al.
 D621,591 S 8/2010 Serrano et al.
 7,803,066 B2 9/2010 Solheim et al.

7,815,515 B1 10/2010 Hunt
 7,846,041 B2 12/2010 Beach et al.
 7,887,432 B2 2/2011 Jones et al.
 D638,891 S 5/2011 Nicolette et al.
 D640,341 S 6/2011 Foster et al.
 D643,080 S 8/2011 Serrano et al.
 D643,485 S 8/2011 Nicolette et al.
 D643,486 S 8/2011 Serrano et al.
 D643,487 S 8/2011 Serrano et al.
 8,100,779 B2 1/2012 Solheim et al.
 D653,718 S 2/2012 Stokke et al.
 8,109,838 B2 2/2012 Solheim et al.
 8,128,505 B2 3/2012 Tryner et al.
 D664,617 S 7/2012 Serrano
 D664,619 S 7/2012 Serrano
 D720,022 S * 12/2014 Rollinson D21/736
 D720,023 S * 12/2014 Rollinson D21/736
 9,220,960 B2 12/2015 Schartiger et al.
 D759,174 S 6/2016 Rollinson et al.
 D774,609 S * 12/2016 Serrano D21/744
 D777,272 S * 1/2017 Serrano D21/759
 D794,732 S * 8/2017 Jertson D21/744
 D796,603 S * 9/2017 Serrano D21/744
 D797,872 S * 9/2017 Jertson D21/743
 D807,454 S * 1/2018 Serrano D21/744
 9,901,793 B2 2/2018 Ban et al.
 D832,380 S * 10/2018 Wang D21/743
 D874,591 S * 2/2020 Lee D21/743
 D879,223 S * 3/2020 Serrano D21/742
 2003/0083149 A1 5/2003 Scarpa et al.
 2005/0170904 A1 8/2005 Smeeth
 2005/0233829 A1 * 10/2005 Cameron A63B 53/0487
 473/340
 2006/0094533 A1 5/2006 Warren
 2006/0166755 A1 7/2006 Brown
 2007/0191135 A1 8/2007 Nilsson et al.
 2008/0045353 A1 2/2008 Lo et al.
 2008/0096686 A1 4/2008 Bilkhu
 2009/0305806 A1 12/2009 Campadore et al.
 2010/0227704 A1 9/2010 Souza et al.
 2012/0115628 A1 5/2012 Woods

FOREIGN PATENT DOCUMENTS

GB 2133295 A 7/1984
 JP 2001137400 A 5/2001
 JP 1344474 S 2/2008

OTHER PUBLICATIONS

Cx1, <http://cureputters.com/products/cx1> , Date Accessed: Dec. 13, 2016.
 Galloway Golf Company Website, http://www.odysseygolf.jp/putter/milled_collection_sx/sx_9.html.
 Mizuno Corporation Website, http://www.mizunoshop.net/disp/CSFDetailGdsImage_001.jsp?GOODS_NO=142888&IMG_NO=1.

* cited by examiner

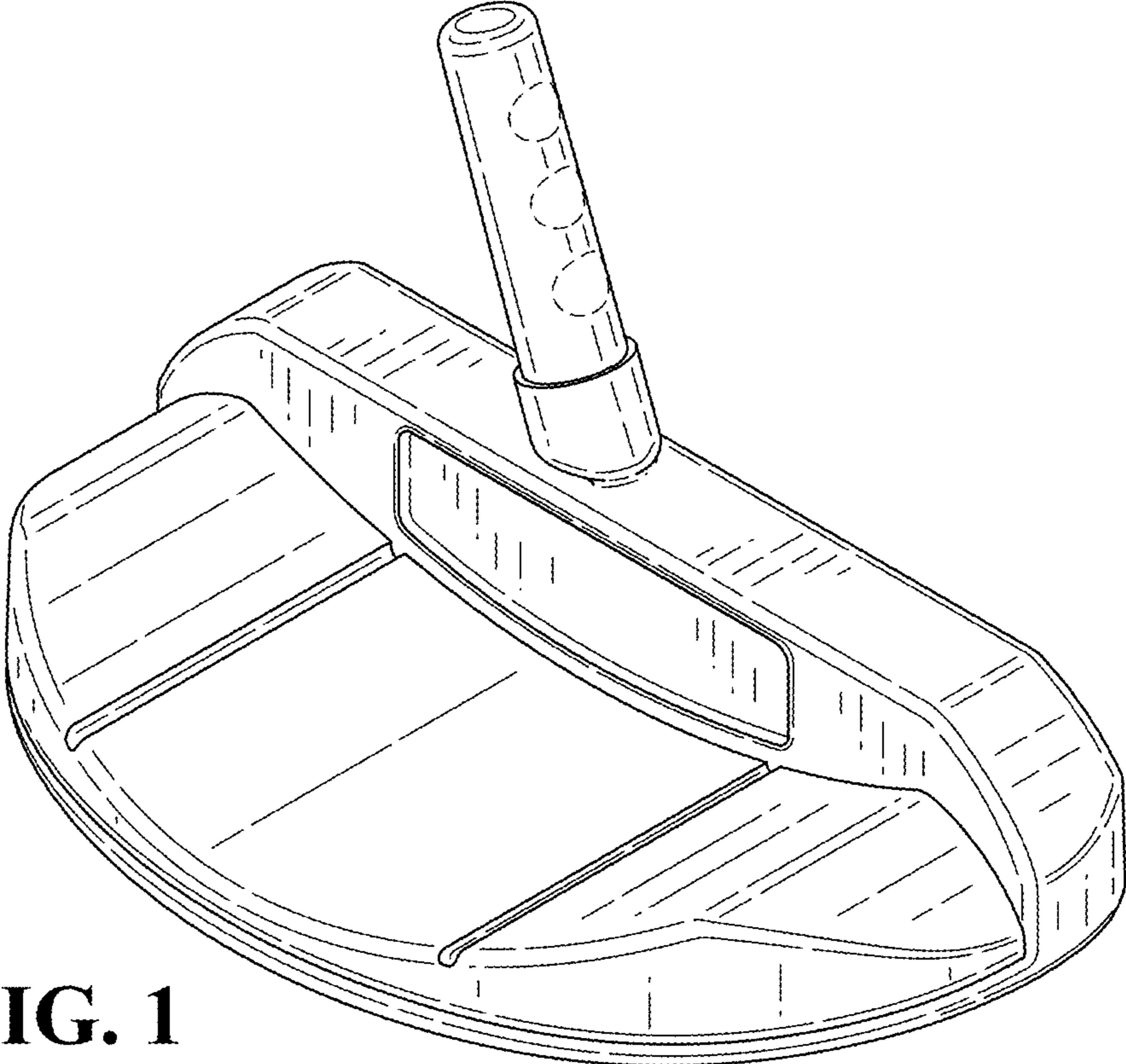


FIG. 1

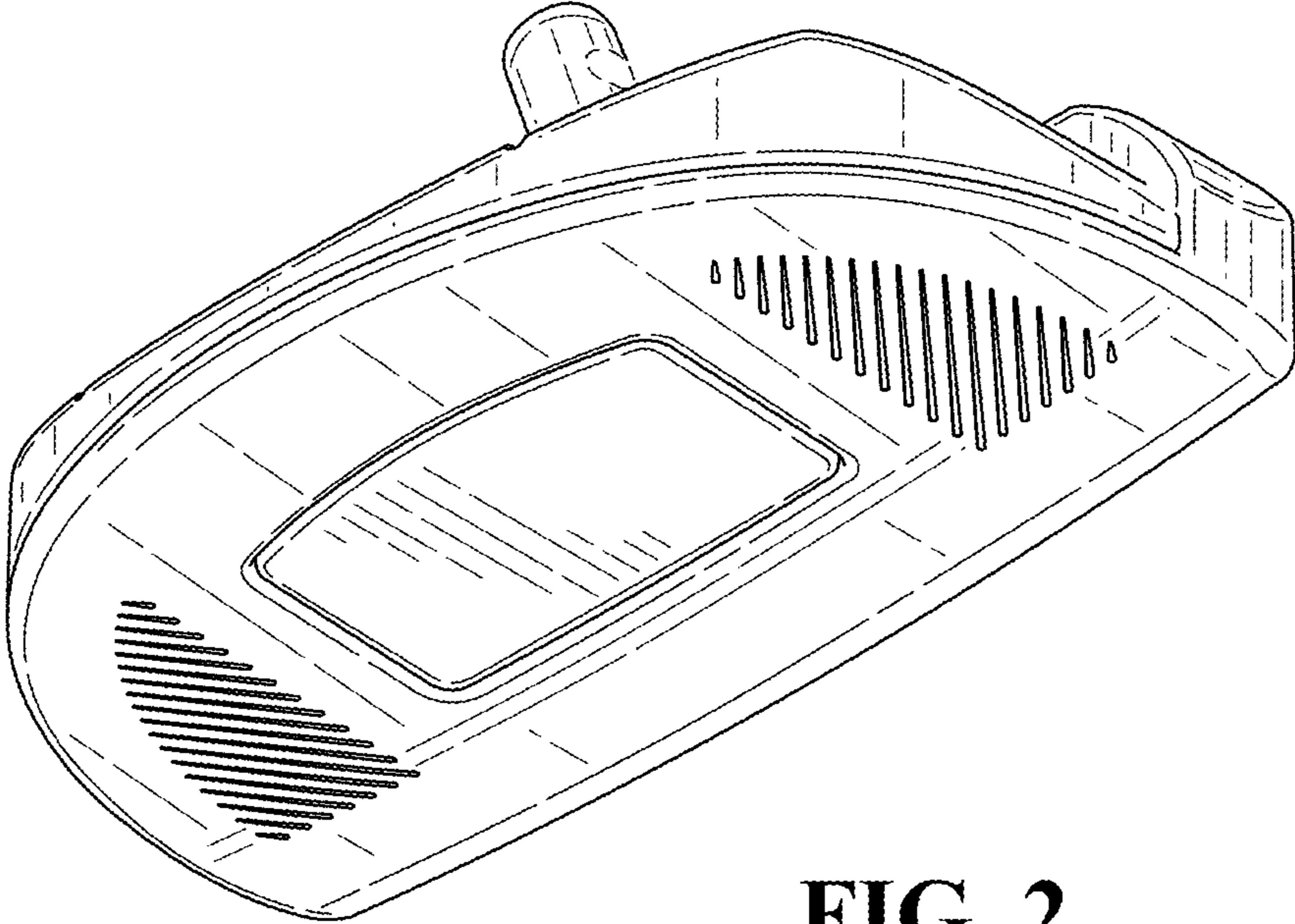


FIG. 2

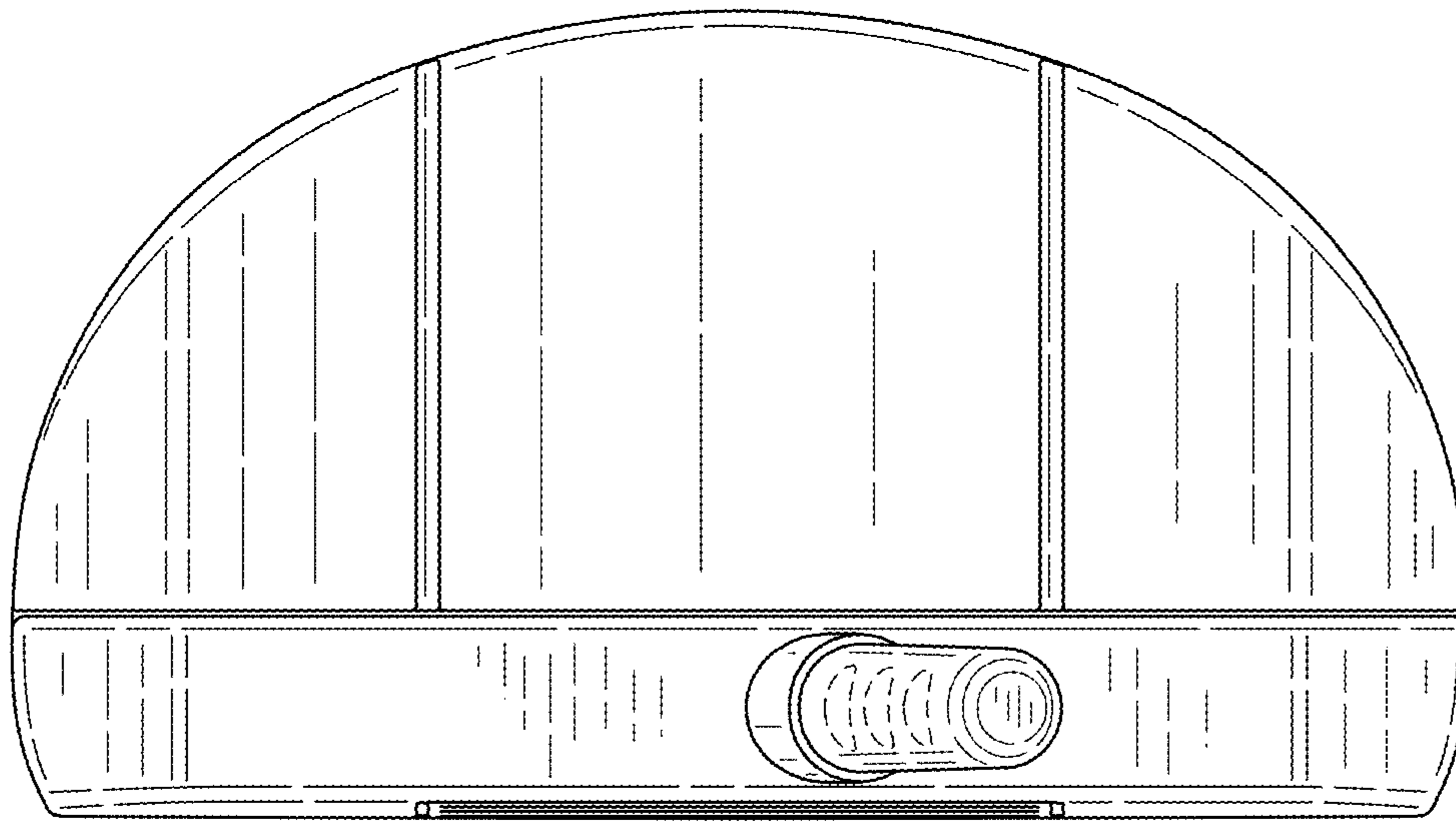


FIG. 3

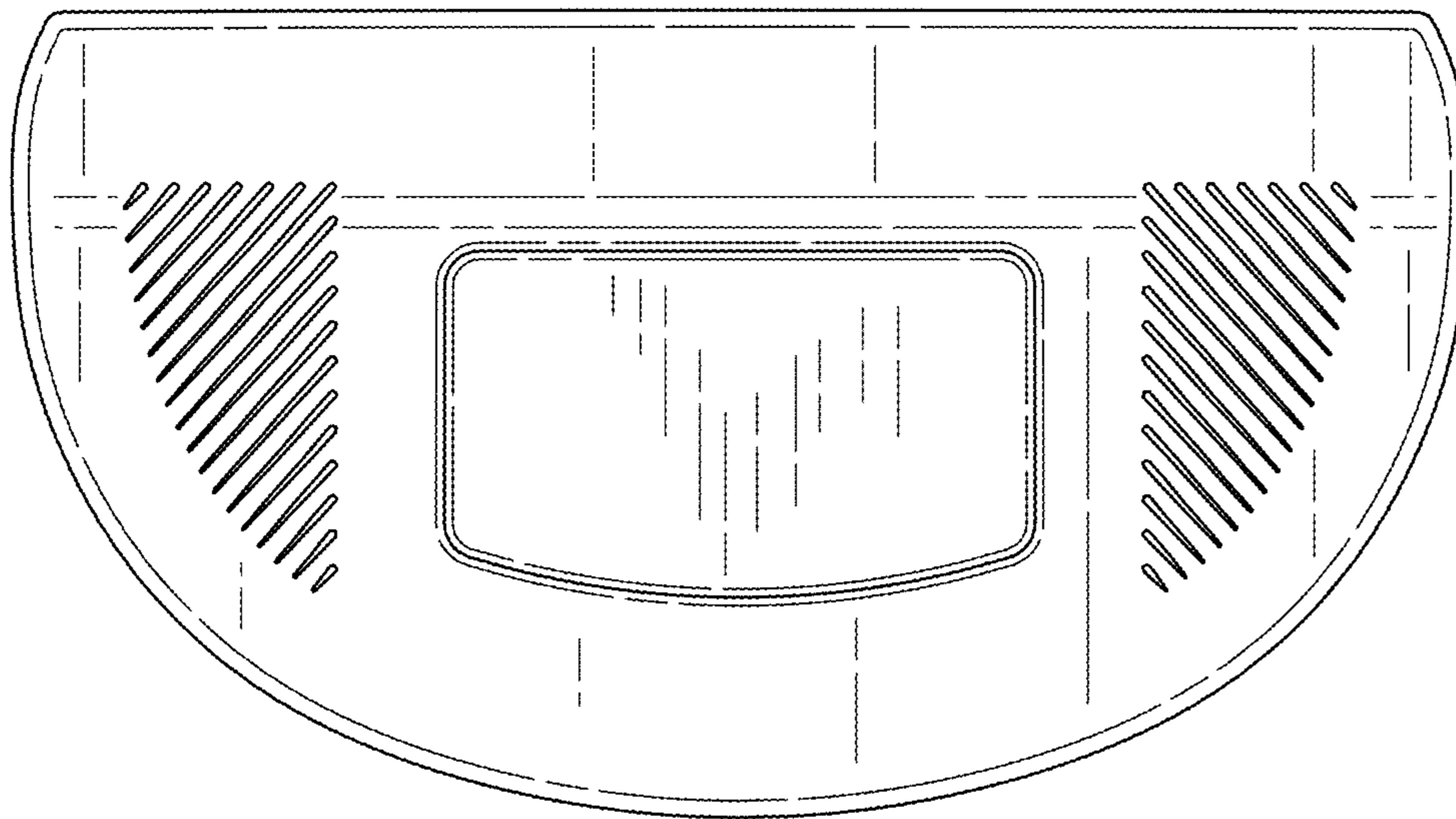


FIG. 4

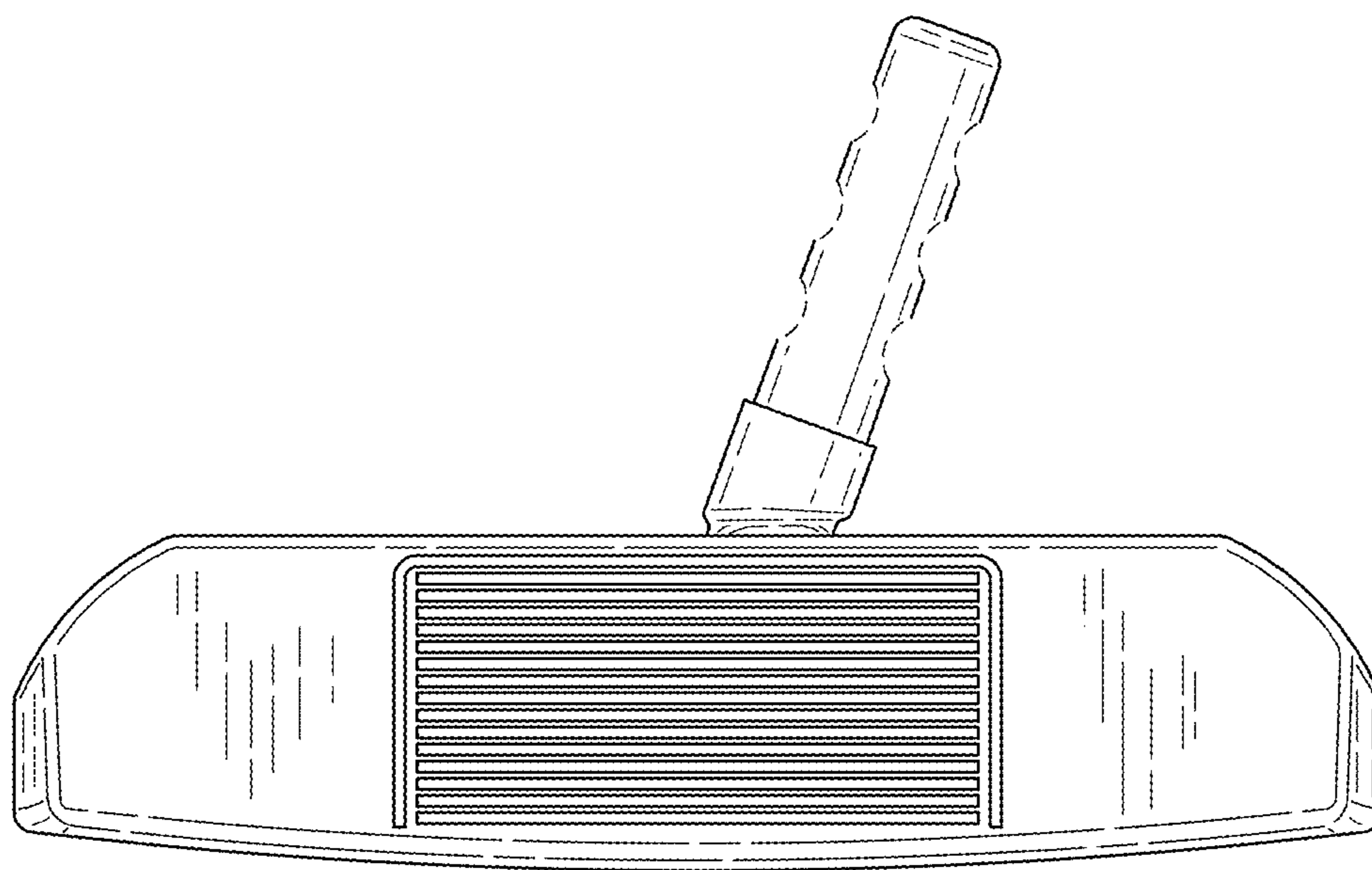


FIG. 5

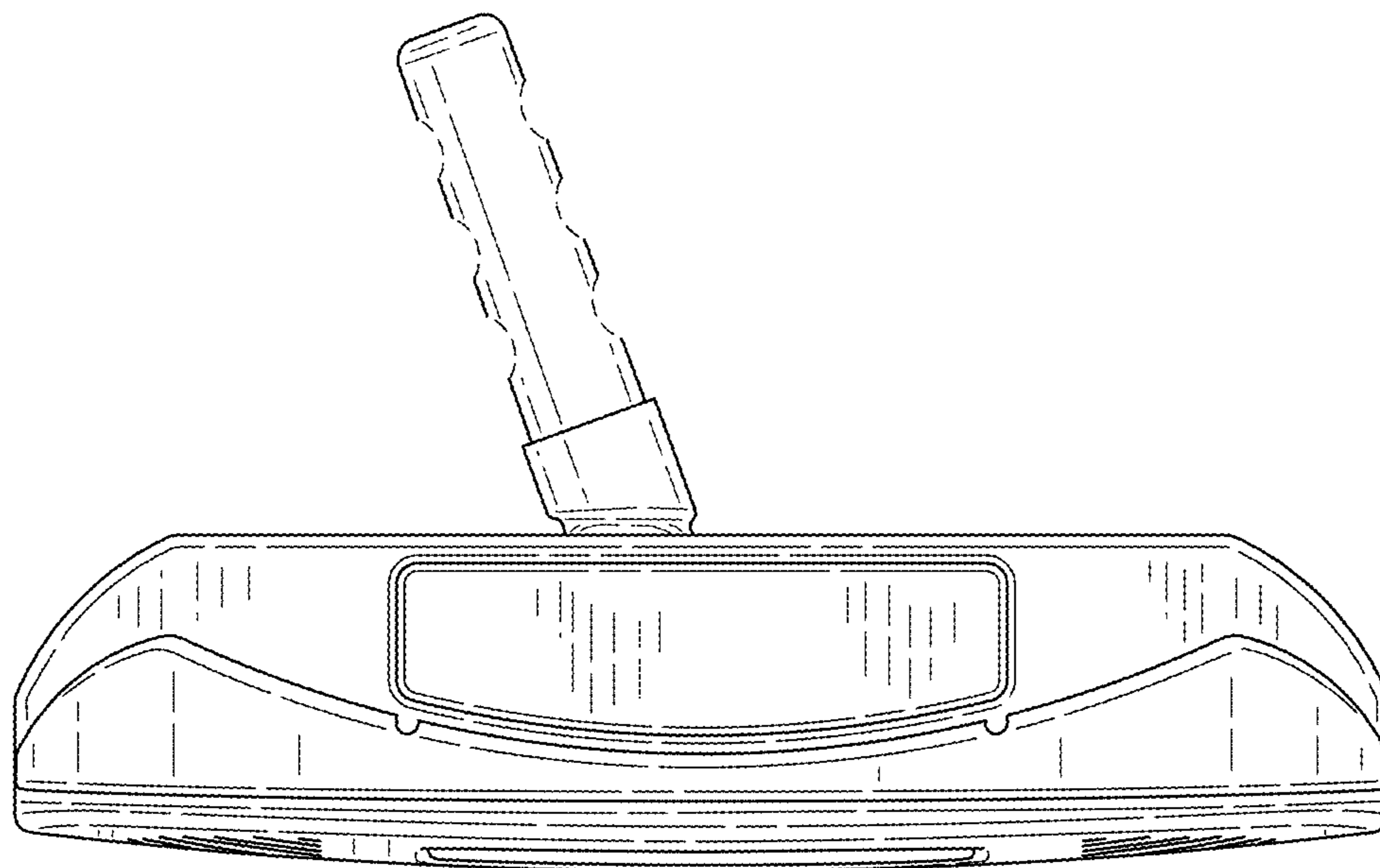


FIG. 6

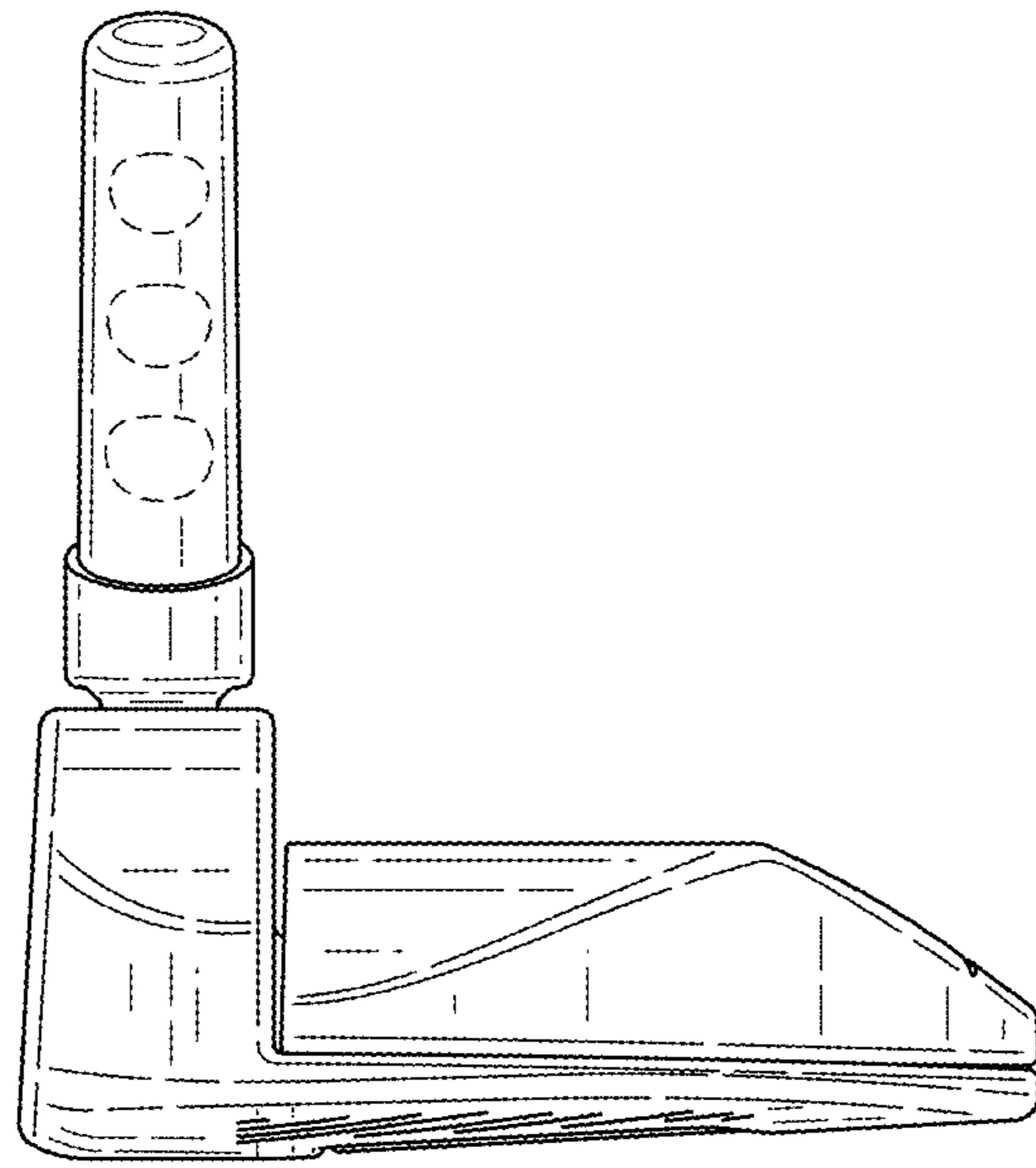


FIG. 7

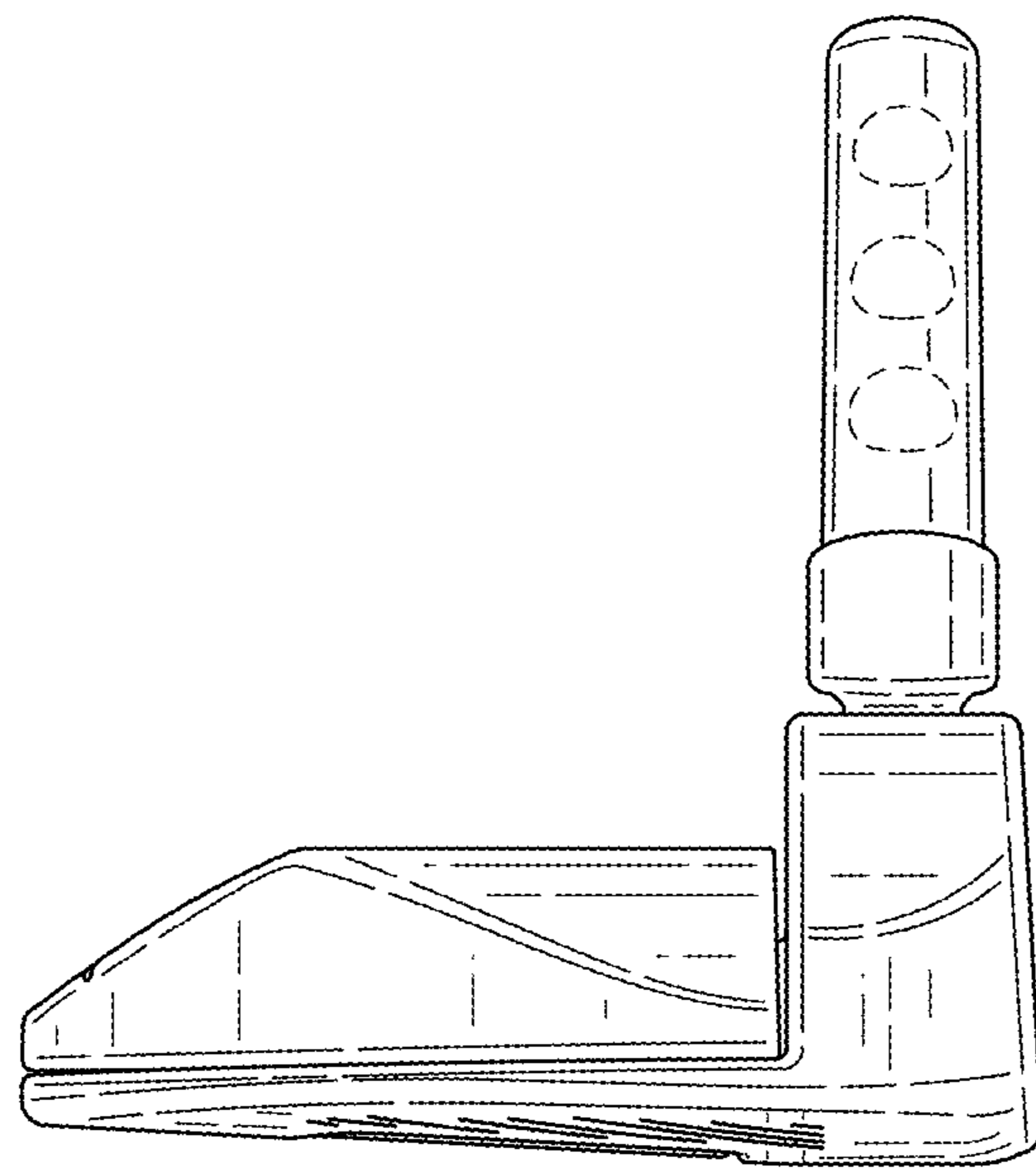


FIG. 8