



US00D904536S

(12) **United States Design Patent** (10) **Patent No.:** **US D904,536 S**
Duke et al. (45) **Date of Patent:** **** Dec. 8, 2020**

(54) **EXERCISE ROCKING CHAIR**
(71) Applicants: **John Hincks Duke**, Providence, RI (US); **Jonathan Michael Haisman**, Providence, RI (US)
(72) Inventors: **John Hincks Duke**, Providence, RI (US); **Jonathan Michael Haisman**, Providence, RI (US)
(**) Term: **15 Years**
(21) Appl. No.: **29/701,176**
(22) Filed: **Aug. 8, 2019**
(51) **LOC (12) Cl.** **21-02**
(52) **U.S. Cl.**
USPC **D21/688**
(58) **Field of Classification Search**
USPC D21/668, 688, 671, 686, 662, 689, 687, D21/413, 412, 423, 692, 694, 698, 760, D21/765, 766, 769, 803, 788, 333, 100; 482/70, 79, 71, 132, 34, 146, 142, 93, 482/105, 110, 121, 123, 126, 130, 139, 482/141, 147, 148, 51, 52, 77; 472/135, 472/110, 14, 218, 269, 409, 451, 452; 600/595; 473/451, 452, 269, 409; D6/349, 353, 406.3, 582, 592, 685, D6/707.22, 361, 348; 280/205, 87.042, 280/609; D14/413, 419, 216; D24/211
CPC A63B 26/003; A63B 22/16; A63B 22/18; A63B 21/0442; A63B 21/0004; A63B 2208/0204; A63B 23/0458; A63B 2022/0033; A63B 2071/027; A47C 3/029; A47C 3/02; A61H 1/003
See application file for complete search history.

D227,584 S * 7/1973 Perez D21/688
D268,633 S * 4/1983 Sauls D6/348
D315,584 S * 3/1991 Gappa D21/688
D365,610 S * 12/1995 Fraser D21/688
6,086,147 A * 7/2000 Gladstone A47C 3/029
297/133
D582,494 S * 12/2008 Elnekaveh D21/687
D648,403 S * 11/2011 Haniffee D21/688
D734,411 S * 7/2015 Powers D21/688
D778,377 S * 2/2017 Daniel D21/688
D838,115 S * 1/2019 Adams D6/348
D843,516 S * 3/2019 Allison D21/688
D874,168 S * 2/2020 Weng D6/348
D879,890 S * 3/2020 Jones D21/686
2006/0205575 A1 * 9/2006 Ho A63B 26/00
482/140

(Continued)

OTHER PUBLICATIONS

Tilt Active by Tilt Active dated no date given. Found online [Aug. 27, 2020]<https://tiltactive.com/>.*

Primary Examiner — Ryan Harvey

(57) **CLAIM**

The ornamental design for an exercise rocking chair, as shown and described.

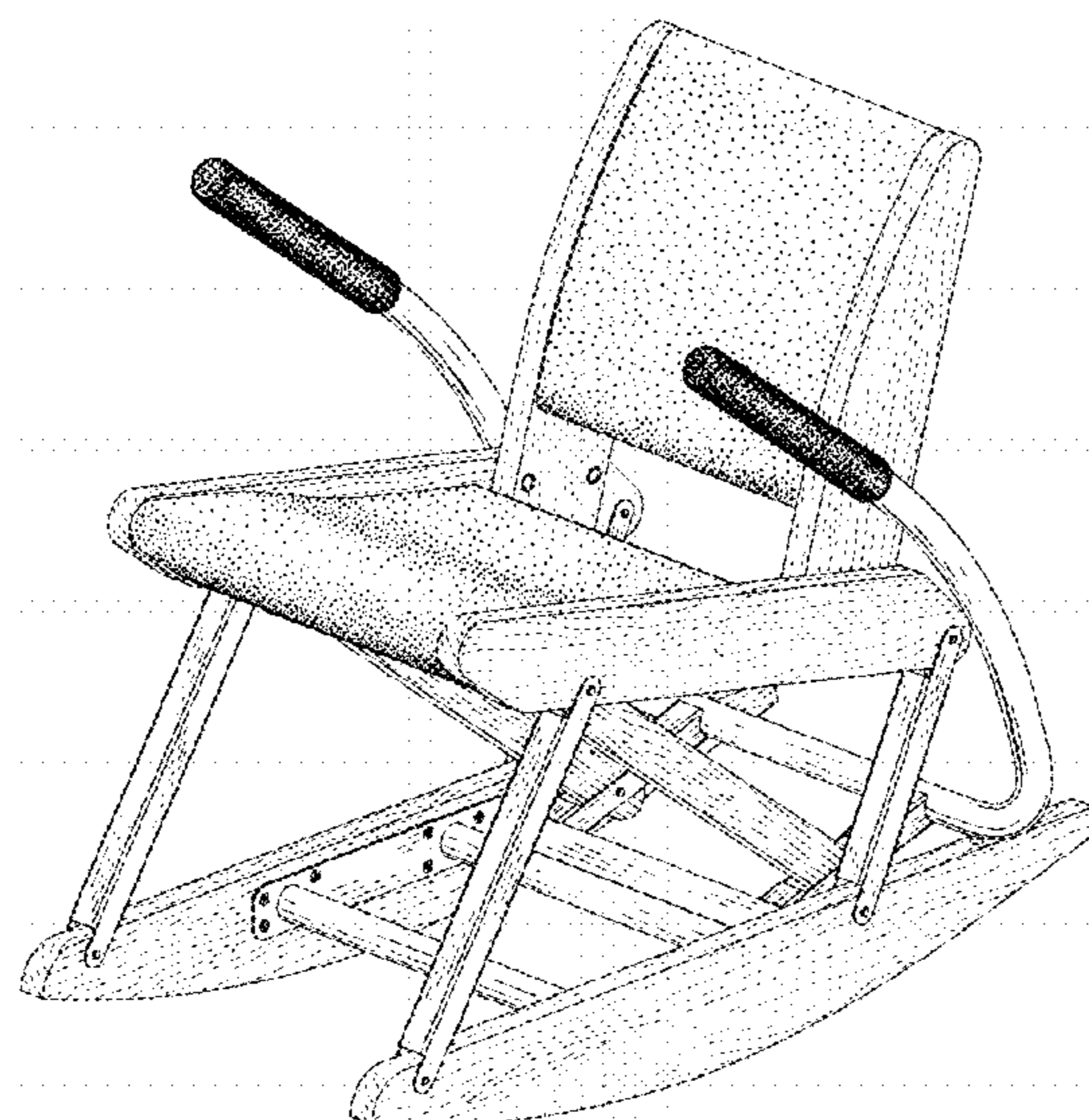
DESCRIPTION

FIG. 1 is a front-left quarter isometric view of an exercise rocking chair showing our new design;
FIG. 2 is a rear-left quarter isometric view thereof;
FIG. 3 is a left side elevation view thereof, a right side elevation view being a mirror image thereof;
FIG. 4 is a left side elevation view thereof showing an alternative position with the arm handles down;
FIG. 5 is a front elevation view thereof;
FIG. 6 is a rear elevation view thereof; and,
FIG. 7 is a left side isometric view thereof showing an alternative position with the arm handles down.

1 Claim, 7 Drawing Sheets

(56) **References Cited**
U.S. PATENT DOCUMENTS

D99,956 S * 6/1936 Morgan D6/348
3,279,794 A * 10/1966 Jenkins A63H 33/00
472/114



(56)

References Cited

U.S. PATENT DOCUMENTS

2016/0030800 A1* 2/2016 McClure A63B 22/16
482/146
2016/0206910 A1* 7/2016 Duke A63B 21/4047
2017/0035202 A1* 2/2017 Hagan A47C 3/0255
2020/0016456 A1* 1/2020 Duke A63B 23/0216

* cited by examiner

Fig. 1

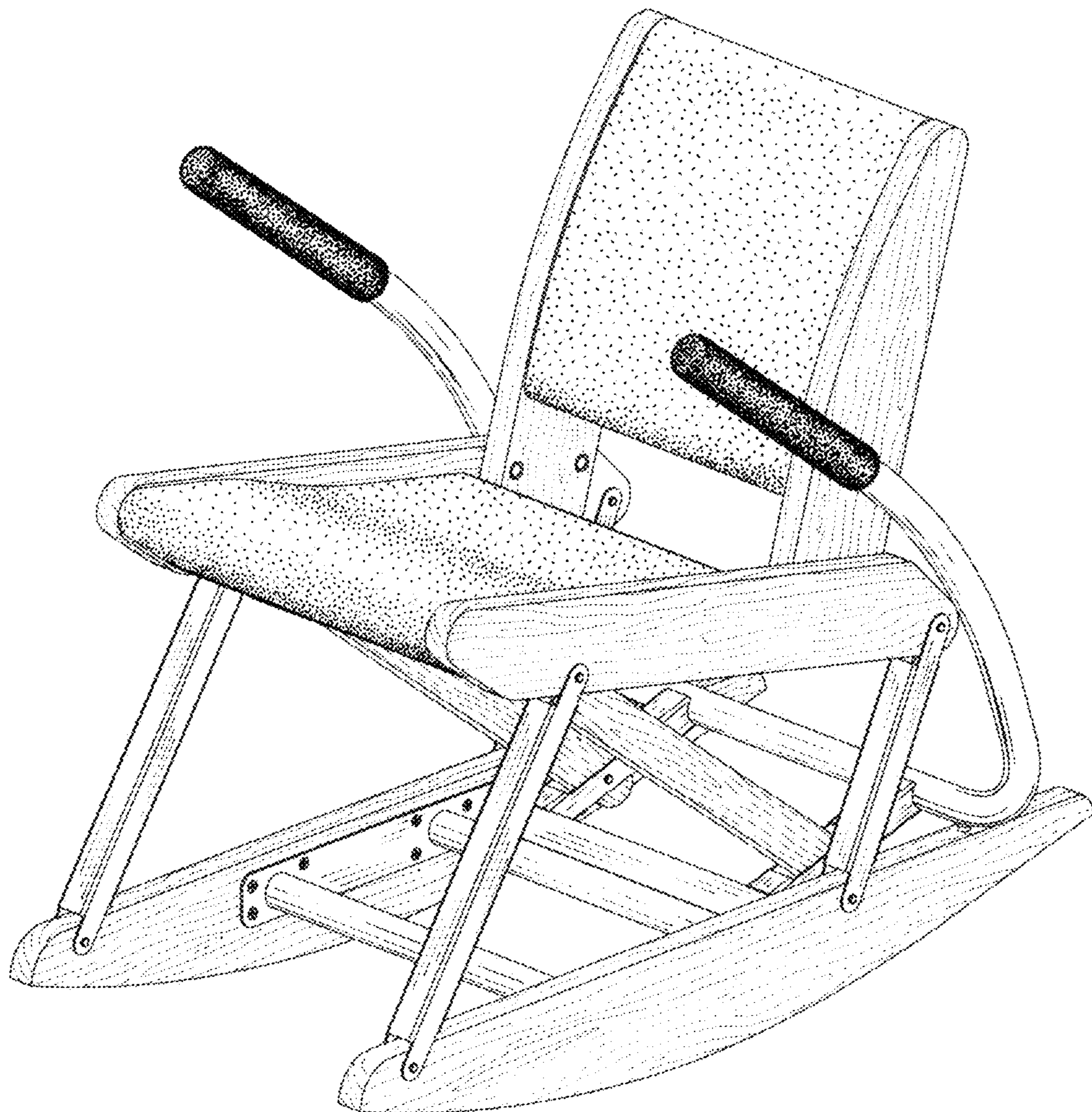


Fig. 2

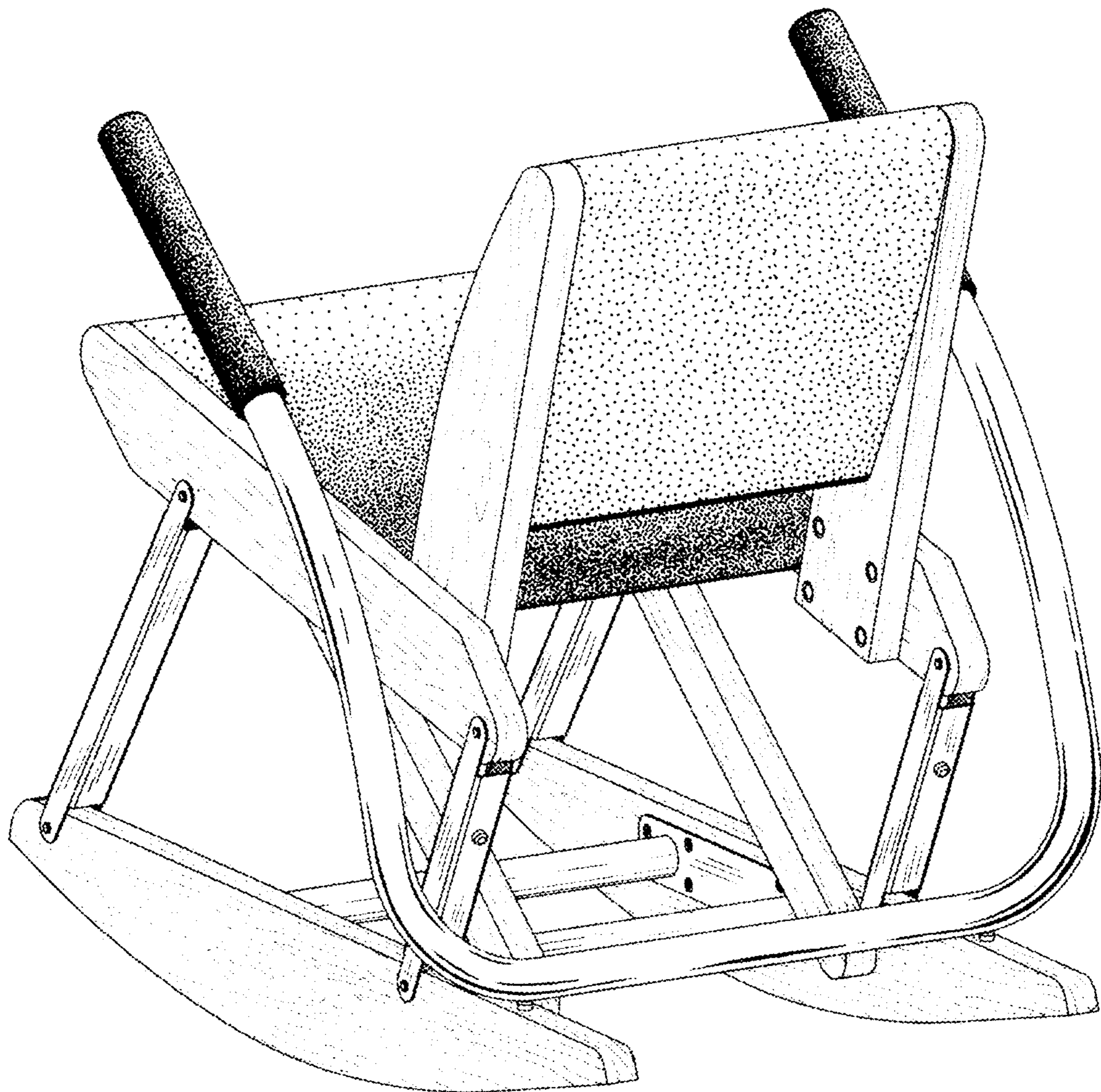


Fig. 3

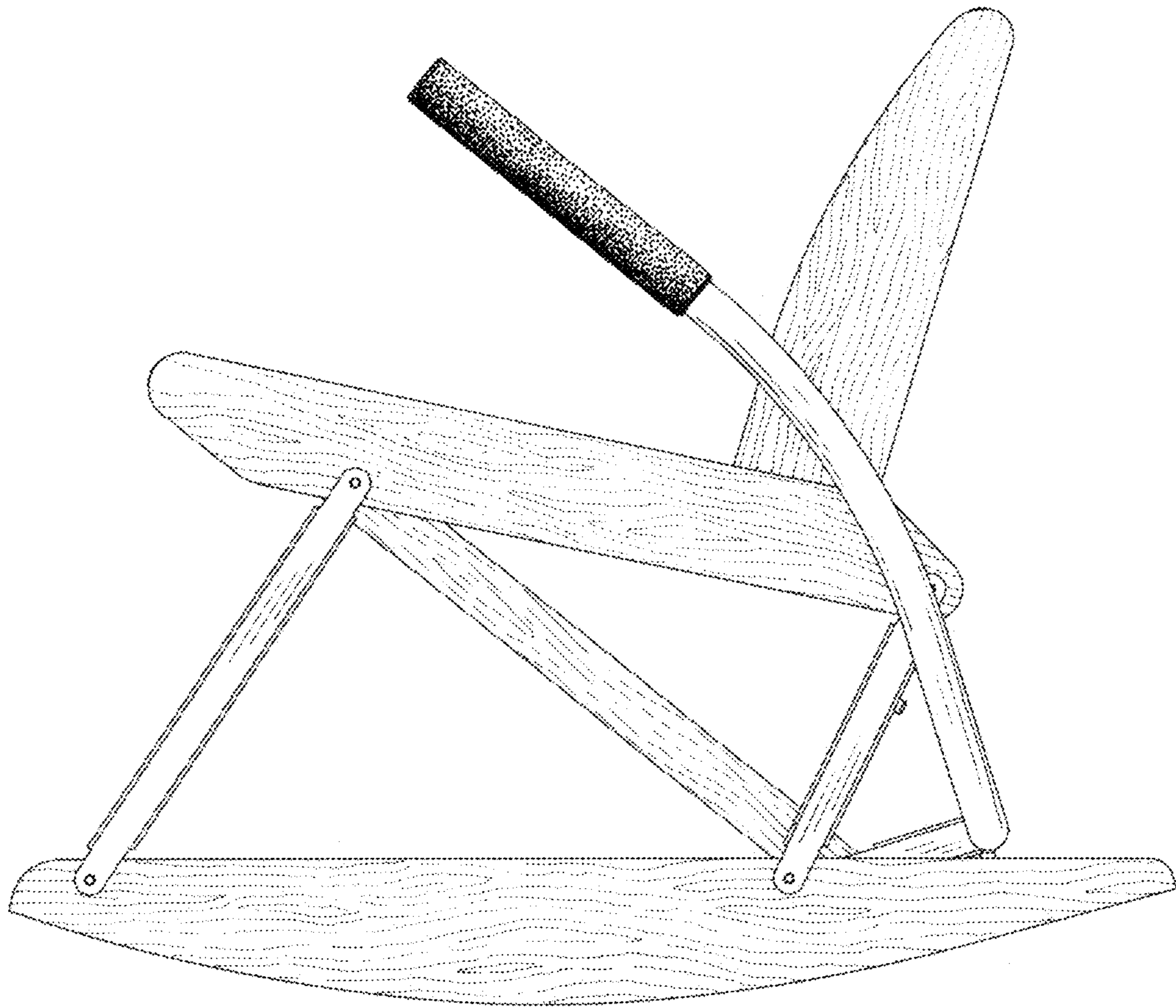


Fig. 4

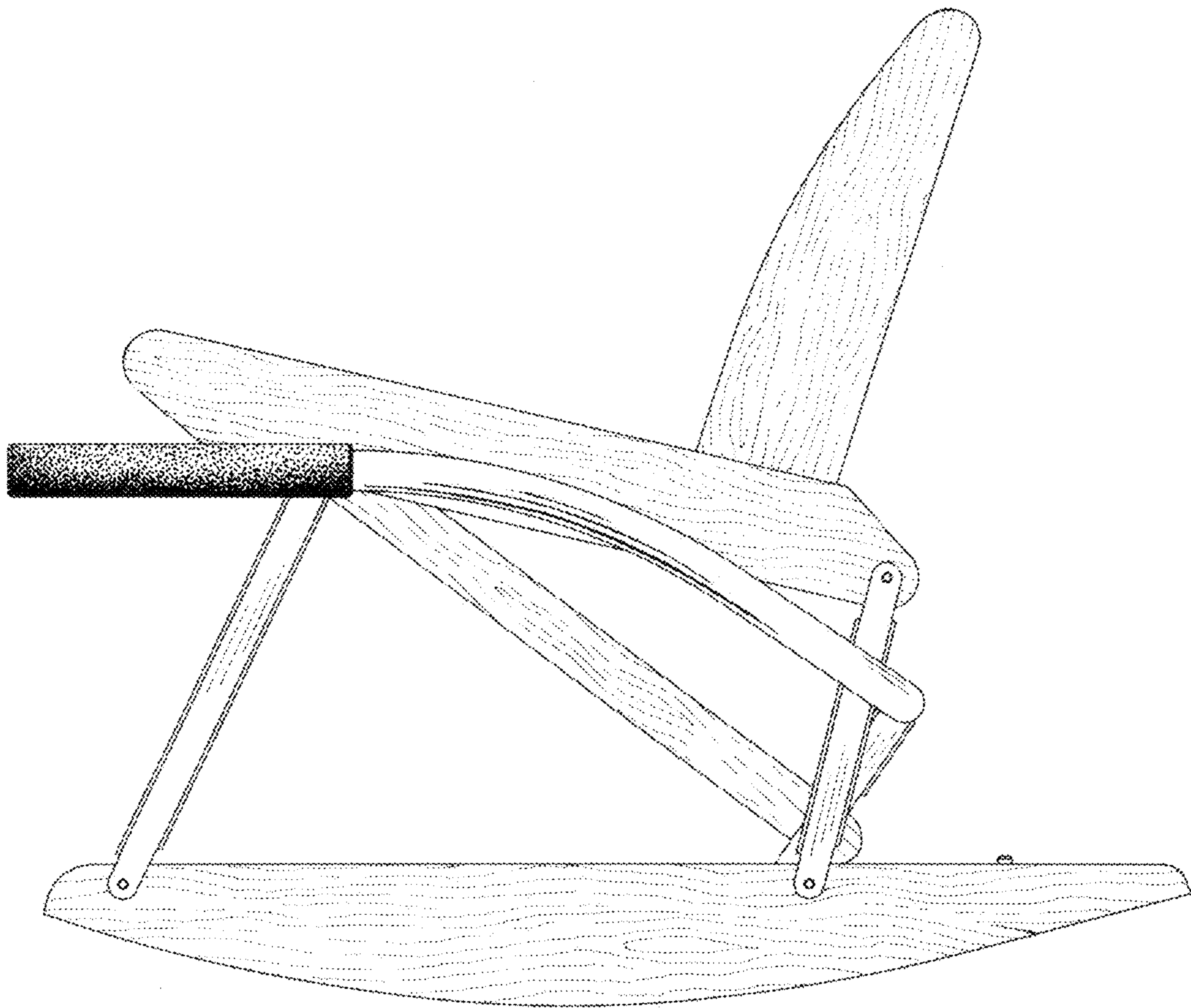


Fig. 5

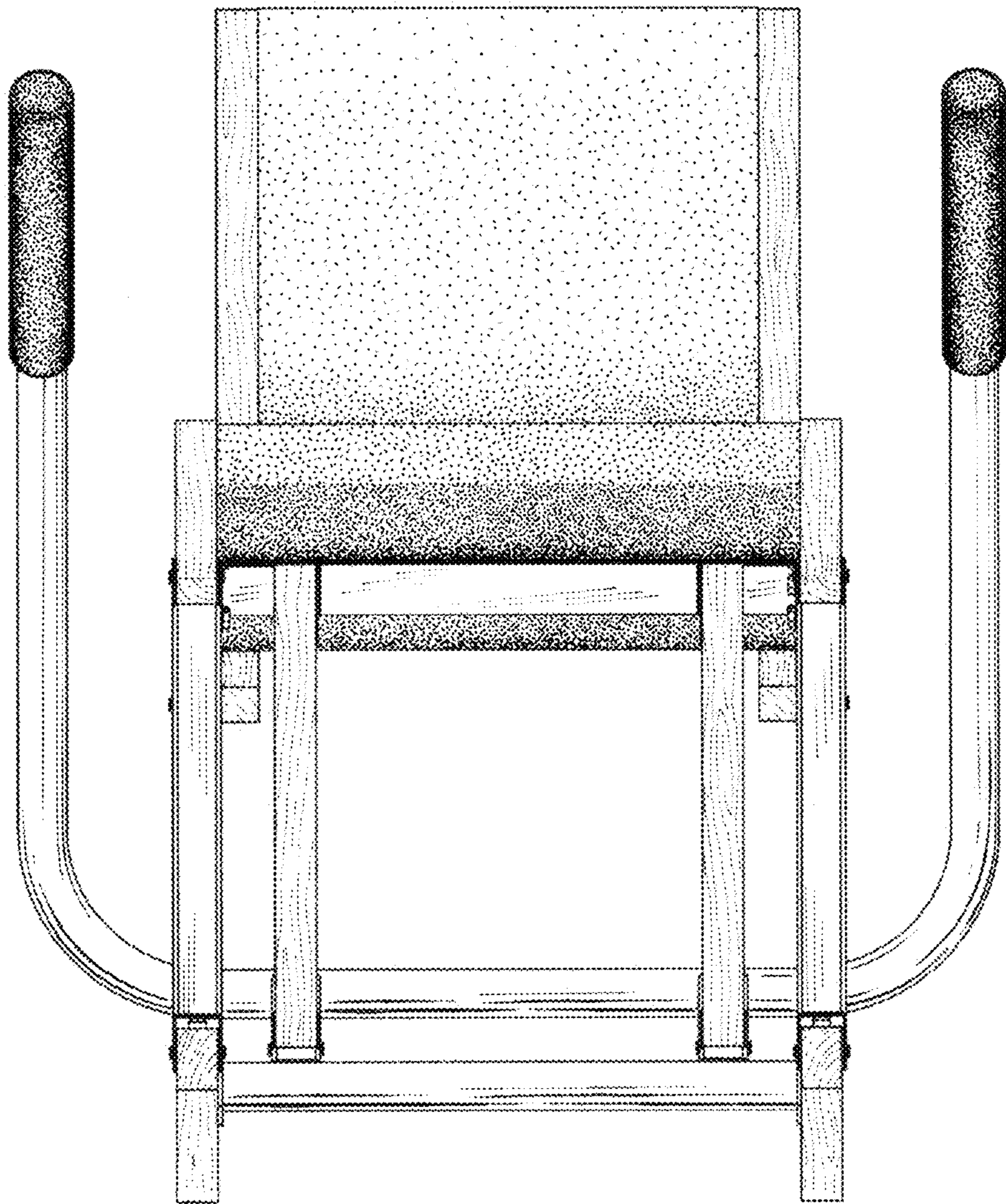


Fig. 6

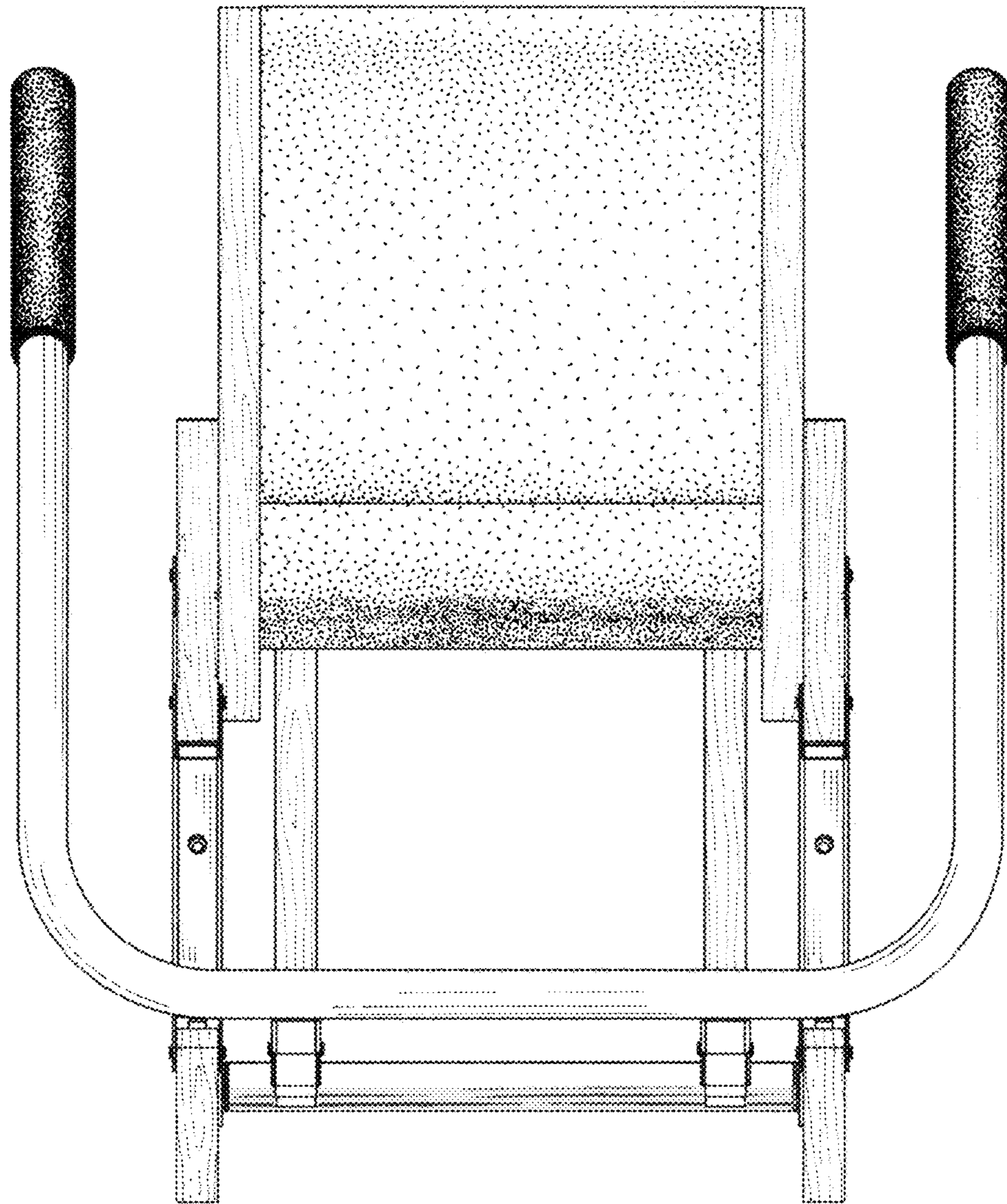


Fig. 7

