



US00D904535S

(12) **United States Design Patent** (10) **Patent No.:** **US D904,535 S**  
**Li** (45) **Date of Patent:** **\*\* Dec. 8, 2020**

(54) **PUSH UP TRAINING EQUIPMENT**

**DESCRIPTION**

(71) Applicant: **Xiaochun Li**, Yongkang (CN)  
(72) Inventor: **Xiaochun Li**, Yongkang (CN)  
(\*\*) Term: **15 Years**  
(21) Appl. No.: **29/738,051**  
(22) Filed: **Jun. 15, 2020**  
(51) **LOC (12) Cl.** ..... **21-02**  
(52) **U.S. Cl.**  
USPC ..... **D21/686**  
(58) **Field of Classification Search**  
USPC ..... D8/14; D6/349; D32/42; D25/67;  
D21/694, 691, 690, 689, 688, 686, 685,  
D21/684, 682, 681, 680, 679, 662;  
D14/209.1; 482/95, 93, 91, 83, 8, 51, 5,  
482/49, 45, 44, 41, 40, 38, 36, 34, 25,  
482/148, 146, 142, 141, 139, 138, 132,  
(Continued)

FIG. 1 is a perspective view of a push up training equipment showing my new design;  
FIG. 2 is another perspective view thereof;  
FIG. 3 is a front elevational view thereof;  
FIG. 4 is a rear elevational view thereof;  
FIG. 5 is a left side elevational view thereof;  
FIG. 6 is a right side elevational view thereof;  
FIG. 7 is a top plan view thereof;  
FIG. 8 is a bottom plan view thereof;  
FIG. 9 is a front elevation view of the push up training equipment where the push up training equipment is shown in a first configuration of use;  
FIG. 10 is a front elevation view of the push up training equipment where the push up training equipment is shown in a second configuration of use;  
FIG. 11 is a front elevation view of the push up training equipment where the push up training equipment is shown in a third configuration of use;  
FIG. 12 is a front elevation view of the push up training equipment where the push up training equipment is shown in a fourth configuration of use;  
FIG. 13 is a front elevation view of the push up training equipment where the push up training equipment is shown in a fifth configuration of use;  
FIG. 14 is a front elevation view of the push up training equipment where the push up training equipment is shown in a sixth configuration of use;  
FIG. 15 is a front elevation view of the push up training equipment where the push up training equipment is shown in a seventh configuration of use;  
FIG. 16 is a front elevation view of the push up training equipment shown disassembled; and,  
FIG. 17 is an enlarged view of portion 17 shown in FIG. 2. The broken lines in the drawings depict portions of the push up training equipment that form no part of the claimed design.

(56) **References Cited**

**U.S. PATENT DOCUMENTS**

4,610,448 A \* 9/1986 Hill ..... A63B 23/03533  
482/141  
D324,088 S \* 2/1992 Van Note ..... D21/690  
(Continued)

**OTHER PUBLICATIONS**

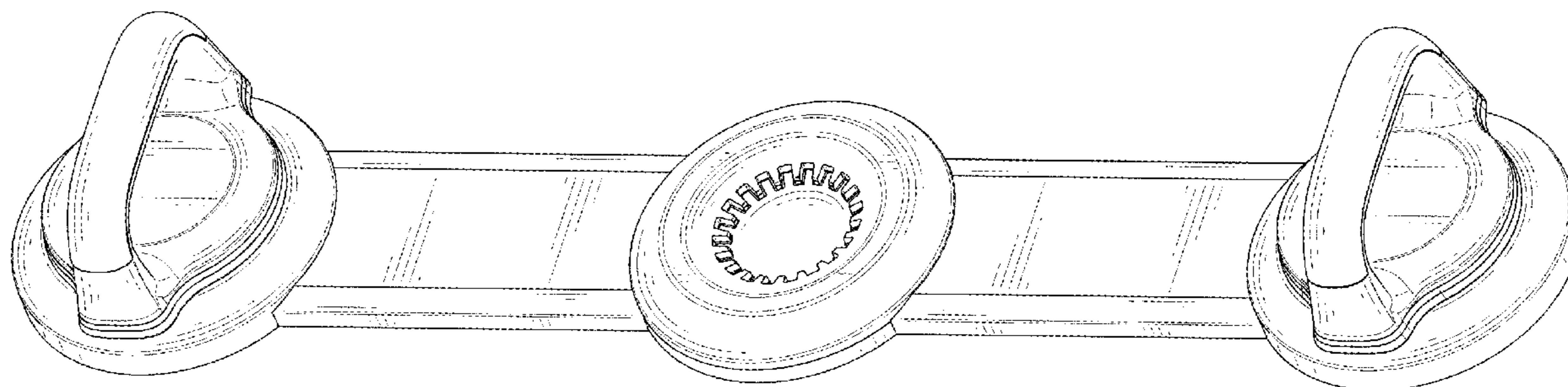
Push Up by Stacksocial dated Apr. 19, 2020. Found online [Oct. 27, 2020] <https://stacksocial.com/sales/push-up-machine> (Year: 2020).\*

*Primary Examiner* — Ryan Harvey

(57) **CLAIM**

The ornamental design for a push up training equipment, as shown and described.

**1 Claim, 17 Drawing Sheets**





(58) **Field of Classification Search**  
 USPC ..... 482/131, 121, 111, 108, 107, 106, 104,  
 482/100  
 CPC ..... A63B 23/1236; A63B 21/4035; A63B  
 21/00047; A63B 23/12; A63B 2210/50;  
 A63B 21/068; A63B 23/03541; A63B  
 23/0211; A63B 21/0004; A63B 23/1218;  
 A63B 23/1227; A63B 21/4049; A63B  
 2208/0219; A63B 2208/0295; A63B  
 23/1209; A63B 1/00  
 See application file for complete search history.

(56) **References Cited**

U.S. PATENT DOCUMENTS

5,205,802 A \* 4/1993 Swisher ..... A63B 21/00047  
 482/100  
 D374,045 S \* 9/1996 Ward, III ..... D21/686  
 5,713,823 A \* 2/1998 Walendzak ..... A63B 22/18  
 482/139  
 D431,616 S \* 10/2000 Broudy ..... D21/688  
 6,773,379 B1 \* 8/2004 Bing ..... A63B 22/20  
 482/132  
 D520,575 S \* 5/2006 Diakonov ..... D21/679  
 D523,493 S \* 6/2006 Horton ..... D21/662  
 7,094,186 B2 \* 8/2006 Diakonov ..... A63B 21/0728  
 482/104  
 D535,336 S \* 1/2007 Diakonov ..... D21/679  
 D576,693 S \* 9/2008 Khubani ..... D21/662  
 D580,998 S 11/2008 Lin  
 D585,947 S \* 2/2009 Royster ..... D21/662  
 7,503,884 B1 \* 3/2009 Schall ..... A63B 21/00047  
 482/115  
 D593,168 S 5/2009 Khubani  
 7,553,267 B1 \* 6/2009 Hauser ..... A63B 21/00047  
 482/141  
 D597,153 S \* 7/2009 Friedman ..... D21/662  
 D599,417 S \* 9/2009 Friedman ..... D21/662  
 D627,011 S \* 11/2010 Potok ..... D21/662  
 D631,106 S \* 1/2011 Zemel ..... D21/662  
 7,905,816 B1 \* 3/2011 Murphy ..... A63B 21/068  
 482/49  
 D651,669 S \* 1/2012 Garland ..... D21/662  
 D653,714 S \* 2/2012 Meininger ..... D21/662  
 D654,544 S \* 2/2012 Sliemers ..... D21/662  
 D654,545 S \* 2/2012 Richard ..... D21/662  
 D671,998 S \* 12/2012 Rodriguez, Jr. .... D21/686  
 D685,038 S \* 6/2013 Crain ..... D21/662  
 9,067,104 B1 \* 6/2015 Kim ..... A63B 23/03525  
 D738,969 S \* 9/2015 Smith ..... D21/662  
 D739,900 S \* 9/2015 Smith ..... D21/662  
 9,205,295 B2 \* 12/2015 Williams ..... A63B 21/4035  
 9,216,315 B1 \* 12/2015 Chang ..... A63B 21/075  
 D754,265 S \* 4/2016 White ..... D21/682  
 9,358,414 B2 \* 6/2016 Dephouse ..... A63B 21/0608  
 9,358,419 B1 \* 6/2016 Smith ..... A63B 23/1209  
 9,623,273 B1 \* 4/2017 Chen ..... A63B 23/03508  
 9,630,045 B1 \* 4/2017 Martin, Sr. .... A63B 71/0054  
 D788,072 S \* 5/2017 Leeper ..... D14/209.1  
 9,700,757 B2 \* 7/2017 Shade ..... A63B 21/4035  
 D805,140 S \* 12/2017 Hodes ..... D21/681  
 D841,916 S \* 2/2019 Cira ..... D32/42  
 D891,539 S \* 7/2020 Sun ..... D21/681  
 10,737,135 B2 \* 8/2020 Chuang ..... A63B 5/20  
 10,773,119 B2 \* 9/2020 Cheng ..... A63B 23/03541  
 2002/0032952 A1 \* 3/2002 Munari ..... A47J 45/062  
 16/406  
 2004/0266593 A1 \* 12/2004 Schwendeman ..... A63B 23/12  
 482/140  
 2005/0003931 A1 \* 1/2005 Mills ..... A63B 21/0601  
 482/5  
 2005/0085352 A1 \* 4/2005 Baxter ..... A63B 21/0724  
 482/100

2005/0148448 A1 \* 7/2005 Mersch ..... A63B 23/12  
 482/141  
 2005/0227831 A1 \* 10/2005 Mills ..... A63B 21/4001  
 482/106  
 2006/0014615 A1 \* 1/2006 Godbold ..... A63B 23/12  
 482/141  
 2006/0035771 A1 \* 2/2006 Gant ..... A63B 21/4035  
 482/141  
 2006/0040809 A1 \* 2/2006 Godbold ..... A63B 23/12  
 482/141  
 2007/0184951 A1 \* 8/2007 James ..... A63B 21/4035  
 482/141  
 2008/0200318 A1 \* 8/2008 Hauser ..... A63B 23/1281  
 482/141  
 2009/0298656 A1 \* 12/2009 Dannenberg ..... A63B 22/14  
 482/141  
 2009/0298657 A1 \* 12/2009 Potok ..... A63B 23/1254  
 482/141  
 2010/0022365 A1 \* 1/2010 Ngu ..... A63B 21/075  
 482/108  
 2010/0130337 A1 \* 5/2010 Stewart ..... A63B 23/12  
 482/121  
 2010/0210431 A1 \* 8/2010 Hinton ..... A63B 23/1281  
 482/141  
 2010/0261590 A1 \* 10/2010 Fares ..... A63B 21/00047  
 482/131  
 2010/0279833 A1 \* 11/2010 Gant ..... A63B 23/1281  
 482/141  
 2010/0317496 A1 \* 12/2010 Abranchess ..... A63B 21/4035  
 482/141  
 2011/0028274 A1 \* 2/2011 Chong ..... A63B 21/4035  
 482/8  
 2011/0065555 A1 \* 3/2011 Moskowich ..... A63B 23/12  
 482/141  
 2011/0071008 A1 \* 3/2011 Coates ..... A63B 21/00047  
 482/131  
 2011/0077136 A1 \* 3/2011 Tozzi ..... A63B 22/203  
 482/141  
 2011/0230313 A1 \* 9/2011 Gamboa ..... A63B 23/03541  
 482/51  
 2011/0300999 A1 \* 12/2011 Cavaliere ..... A63B 21/0608  
 482/108  
 2012/0083396 A1 \* 4/2012 Aquino ..... A63B 21/075  
 482/131  
 2012/0258847 A1 \* 10/2012 Lafferty ..... A63B 21/4035  
 482/141  
 2012/0316043 A1 \* 12/2012 Mangalindan .... A63B 23/1236  
 482/141  
 2013/0123079 A1 \* 5/2013 Peritz ..... A63B 23/1236  
 482/139  
 2013/0190150 A1 \* 7/2013 Delisle ..... A63B 23/03541  
 482/141  
 2013/0310234 A1 \* 11/2013 Miller, Jr. .... A63B 22/20  
 482/139  
 2013/0316884 A1 \* 11/2013 Gobeil ..... A63B 21/068  
 482/141  
 2013/0316886 A1 \* 11/2013 Lynch ..... A63B 21/4035  
 482/146  
 2014/0024507 A1 \* 1/2014 Hagos ..... A63B 21/4049  
 482/108  
 2014/0038795 A1 \* 2/2014 Sassano ..... A63B 23/1236  
 482/141  
 2014/0100090 A1 \* 4/2014 Lima ..... A63B 21/072  
 482/139  
 2014/0141949 A1 \* 5/2014 Mills ..... A63B 21/4033  
 482/140  
 2016/0016037 A1 \* 1/2016 Chang ..... A63B 21/0726  
 482/141  
 2018/0036588 A1 \* 2/2018 Brown ..... A63B 21/0004  
 2019/0143168 A1 \* 5/2019 Chang ..... A63B 23/0211  
 482/138  
 2020/0298056 A1 \* 9/2020 Cheng ..... A63B 23/03525

\* cited by examiner

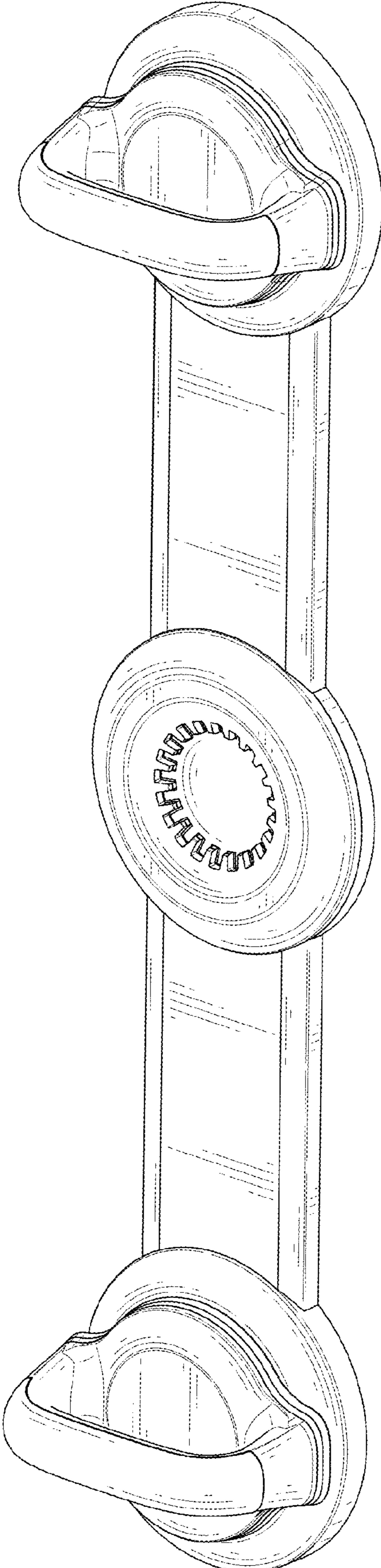


FIG. 1



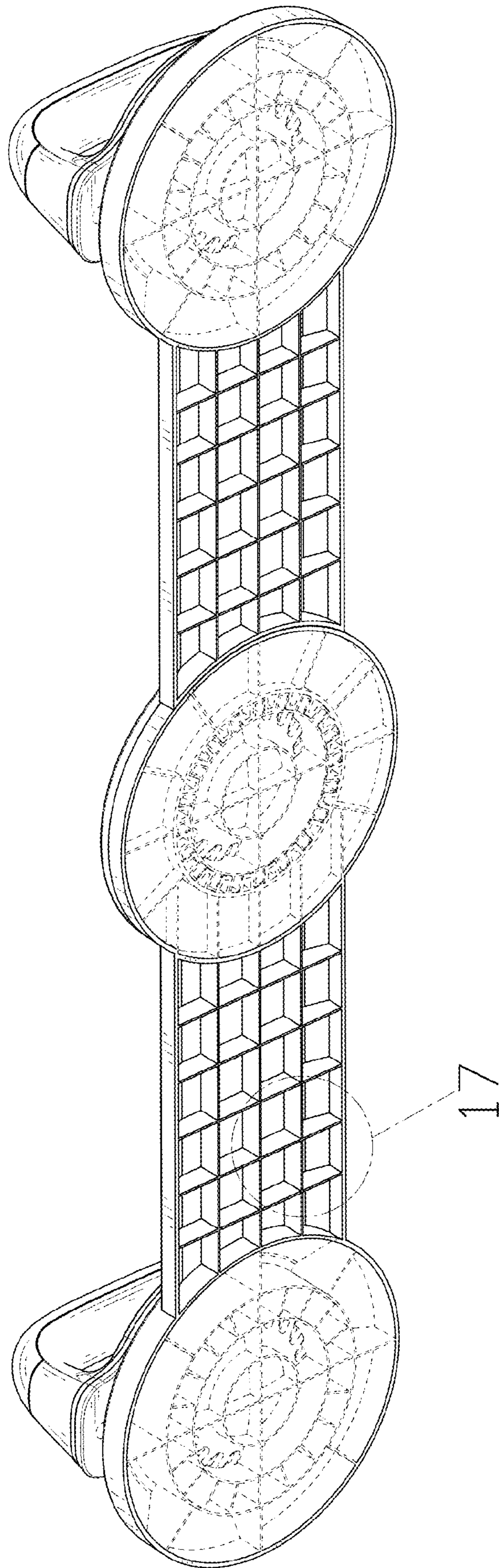


FIG. 2

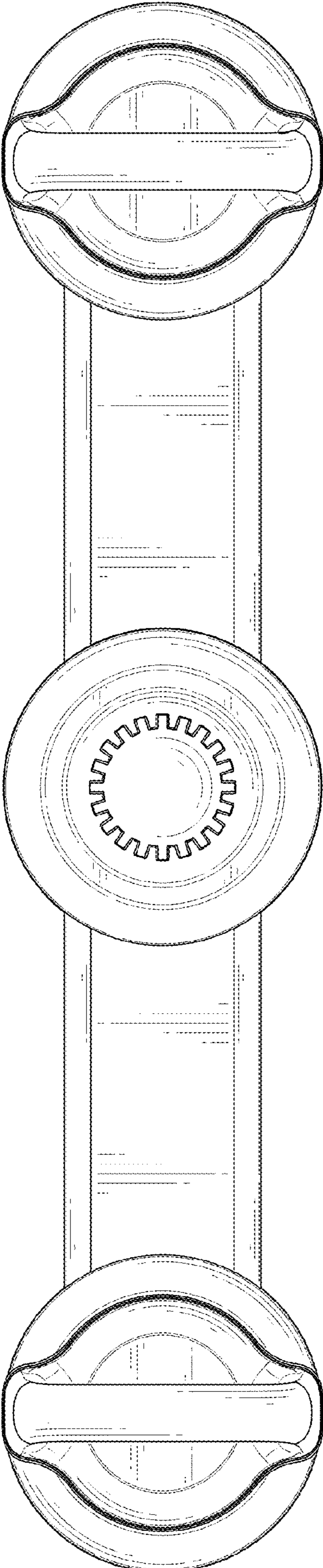


FIG. 3

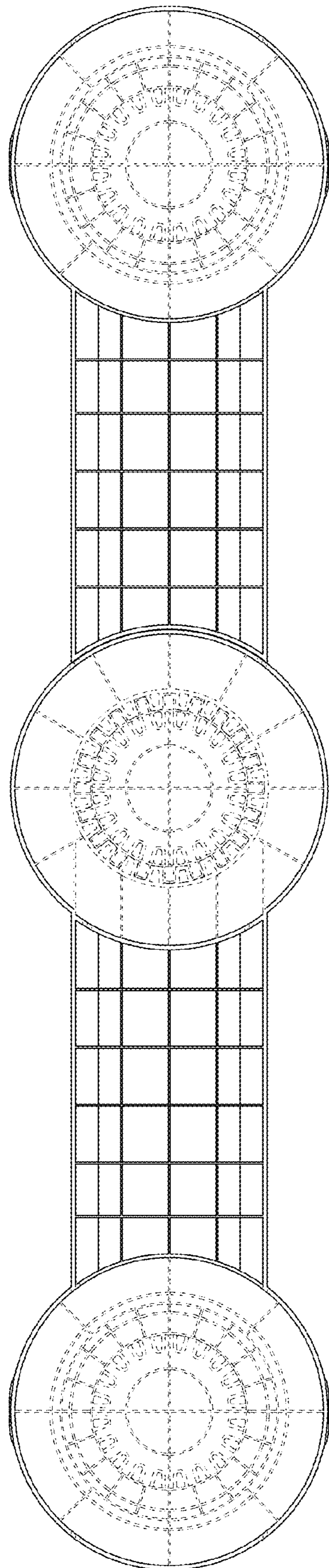


FIG. 4

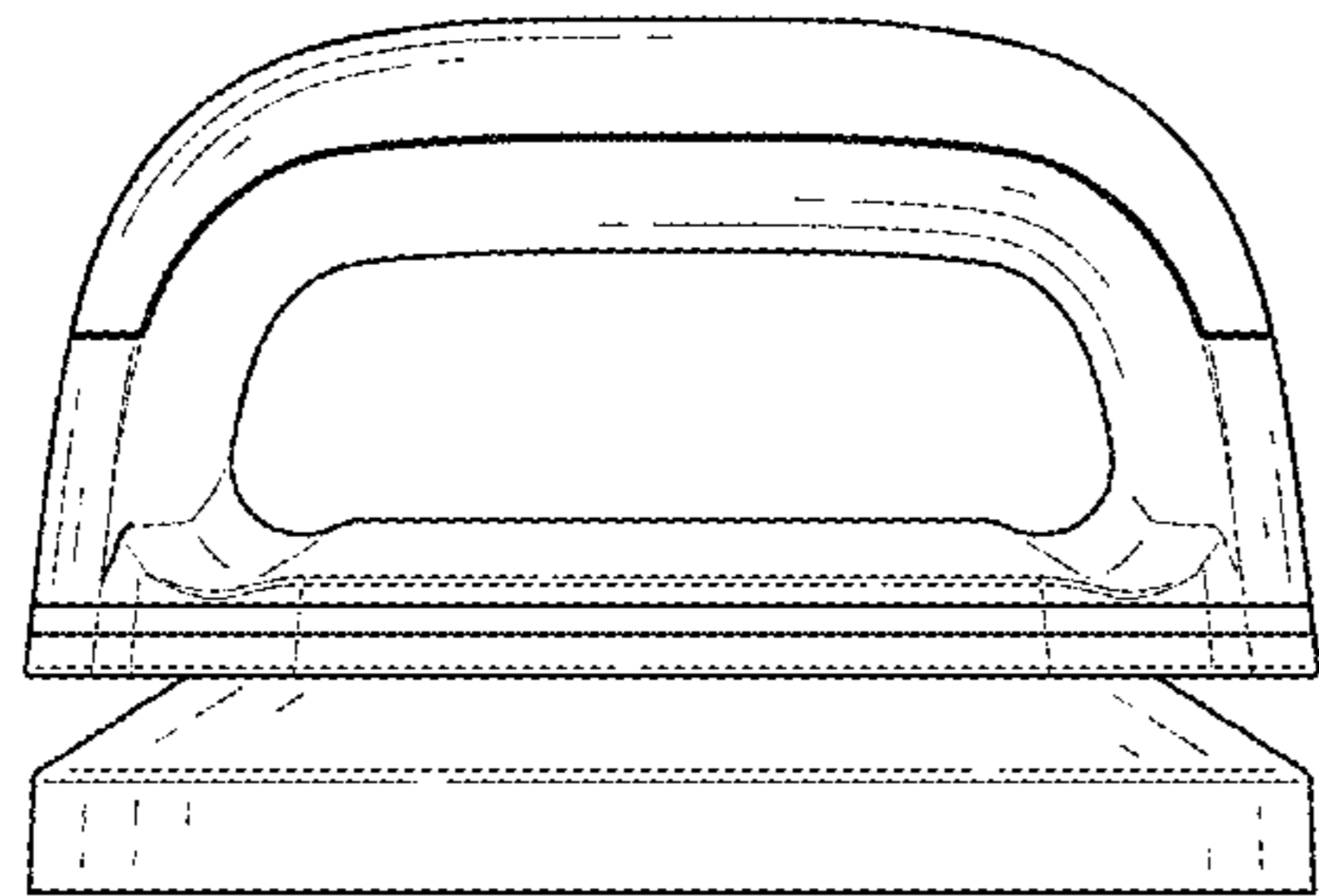


FIG. 5

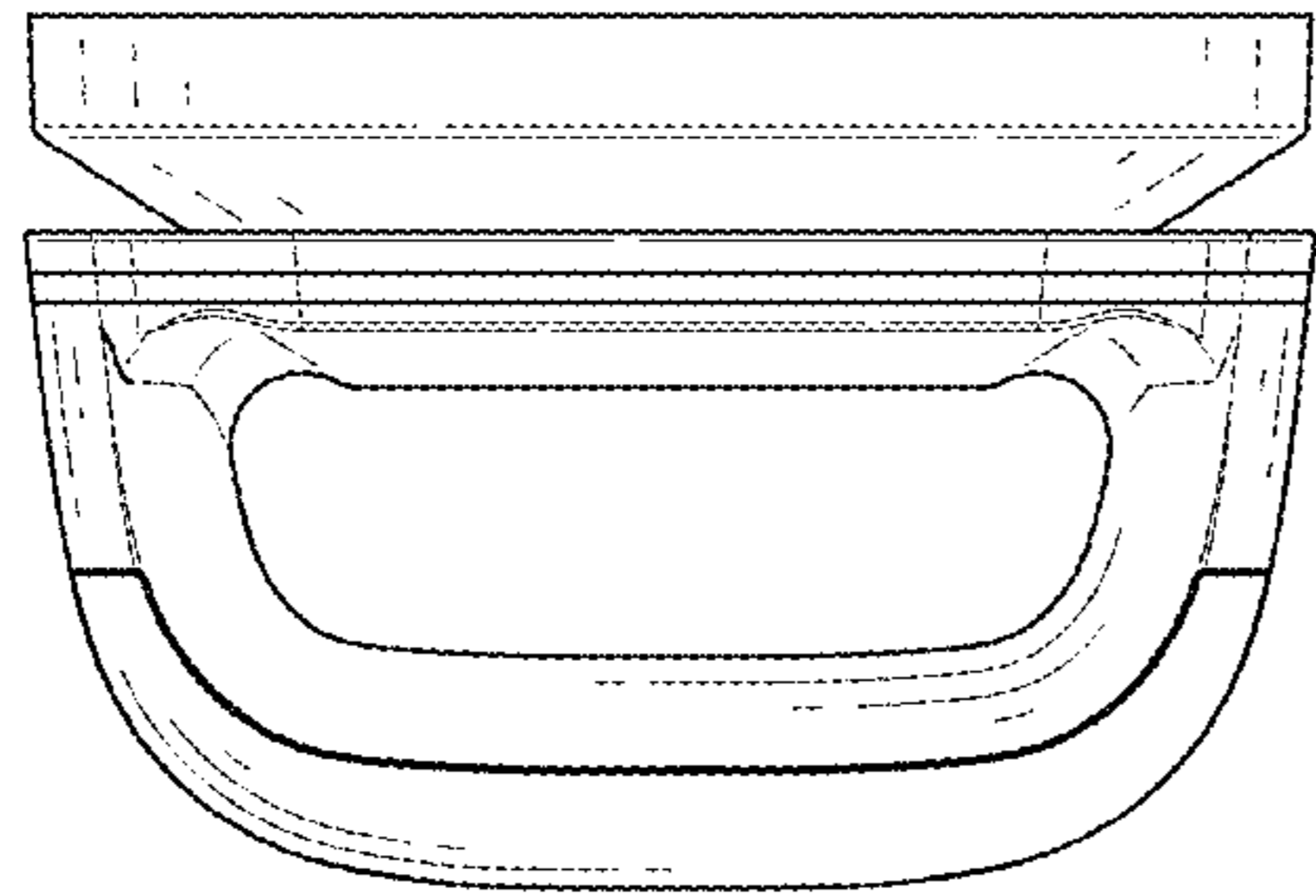


FIG. 6



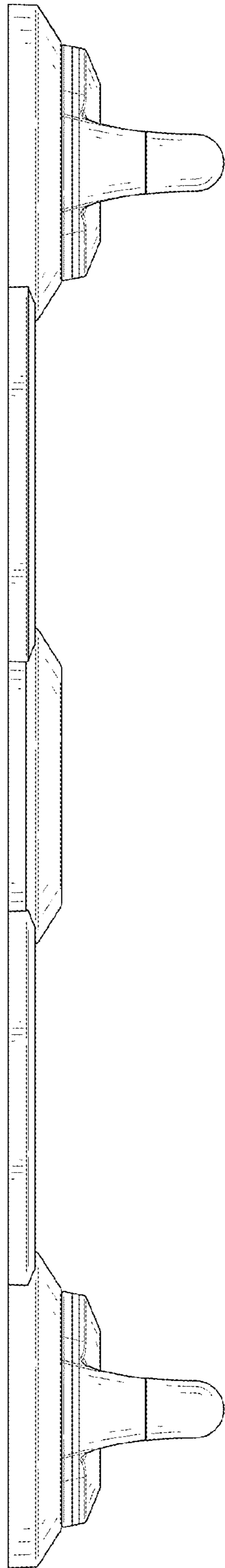


FIG. 7

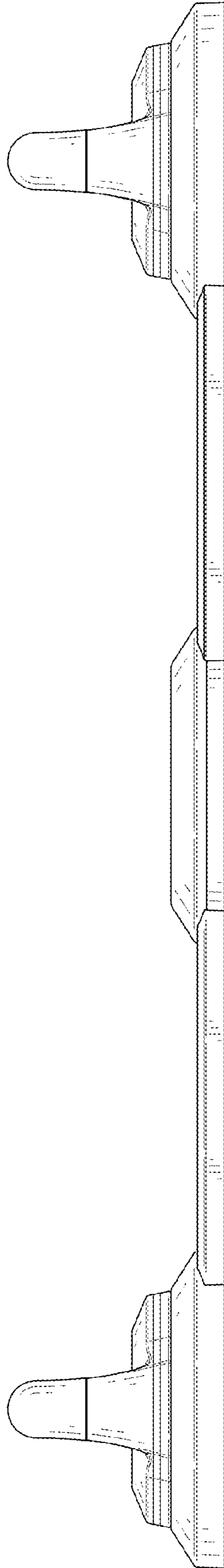


FIG. 8

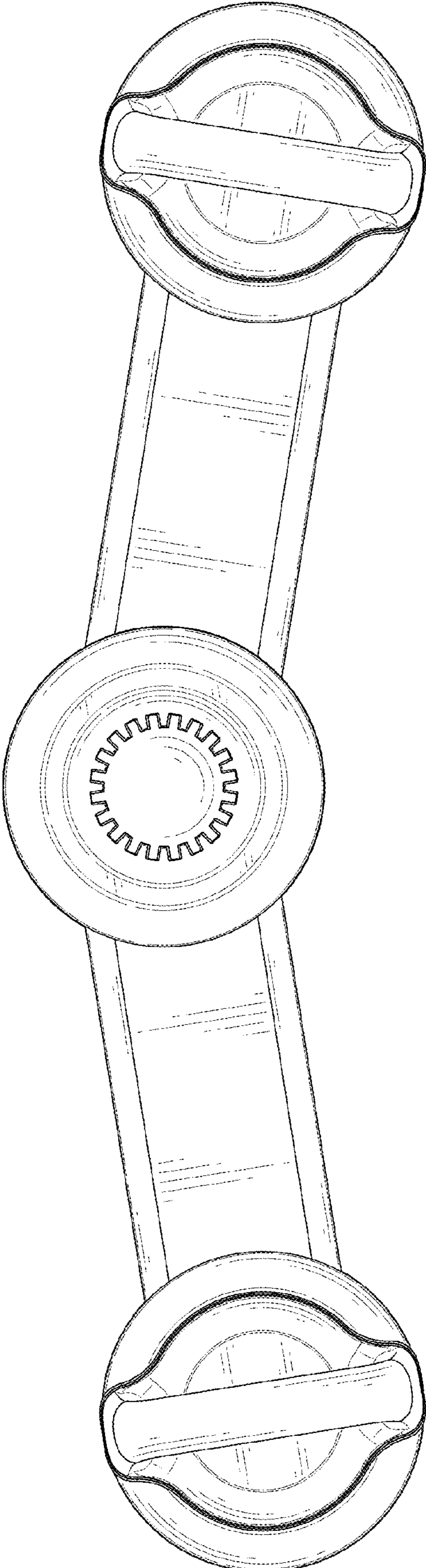


FIG. 9



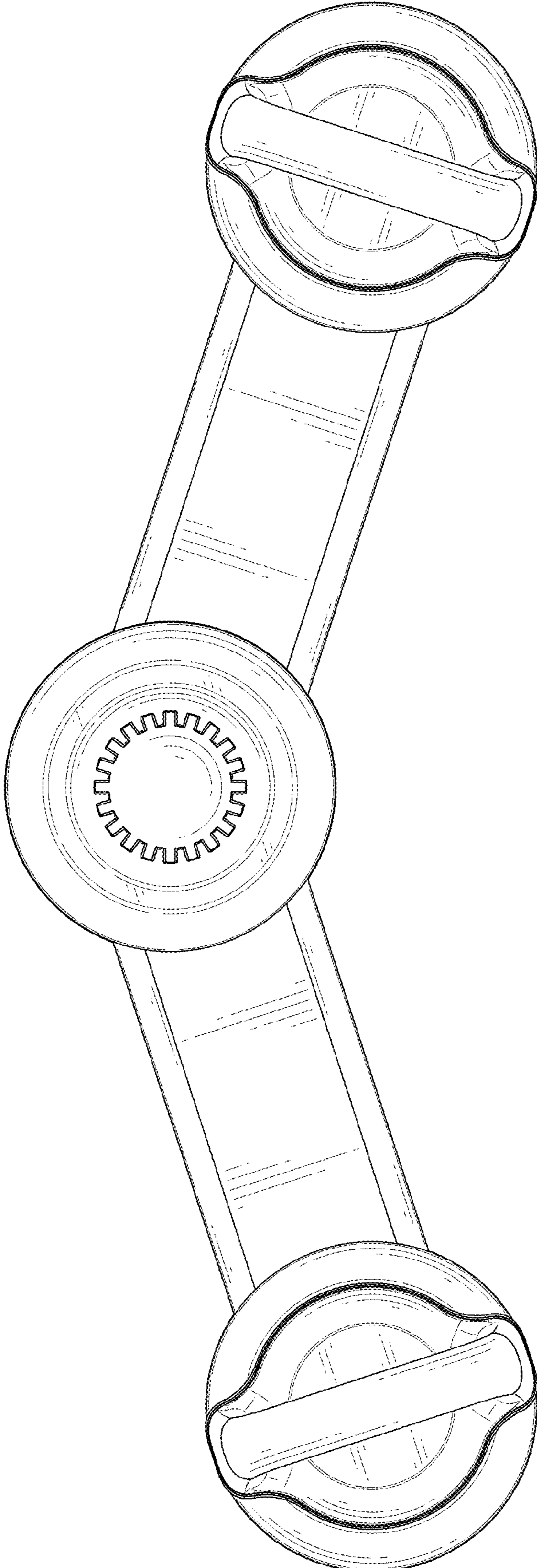


FIG. 10

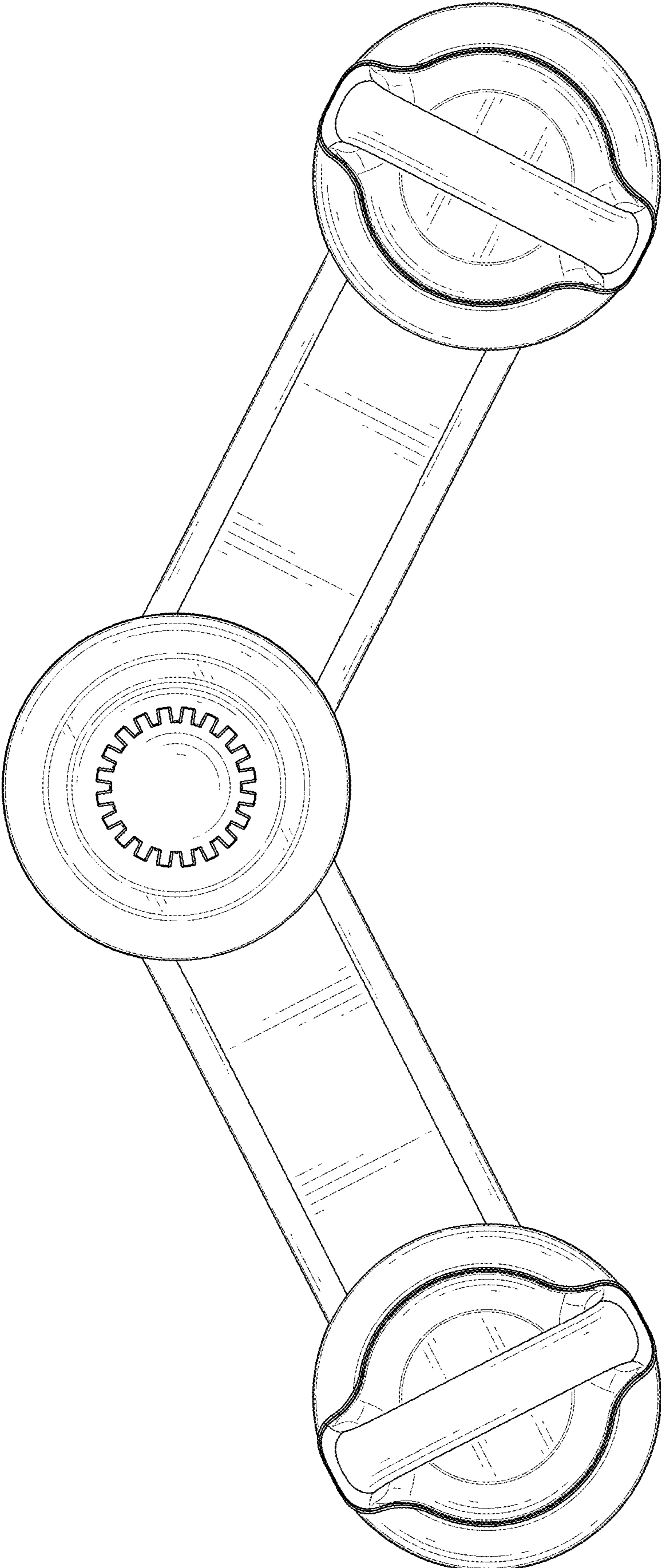


FIG. 11

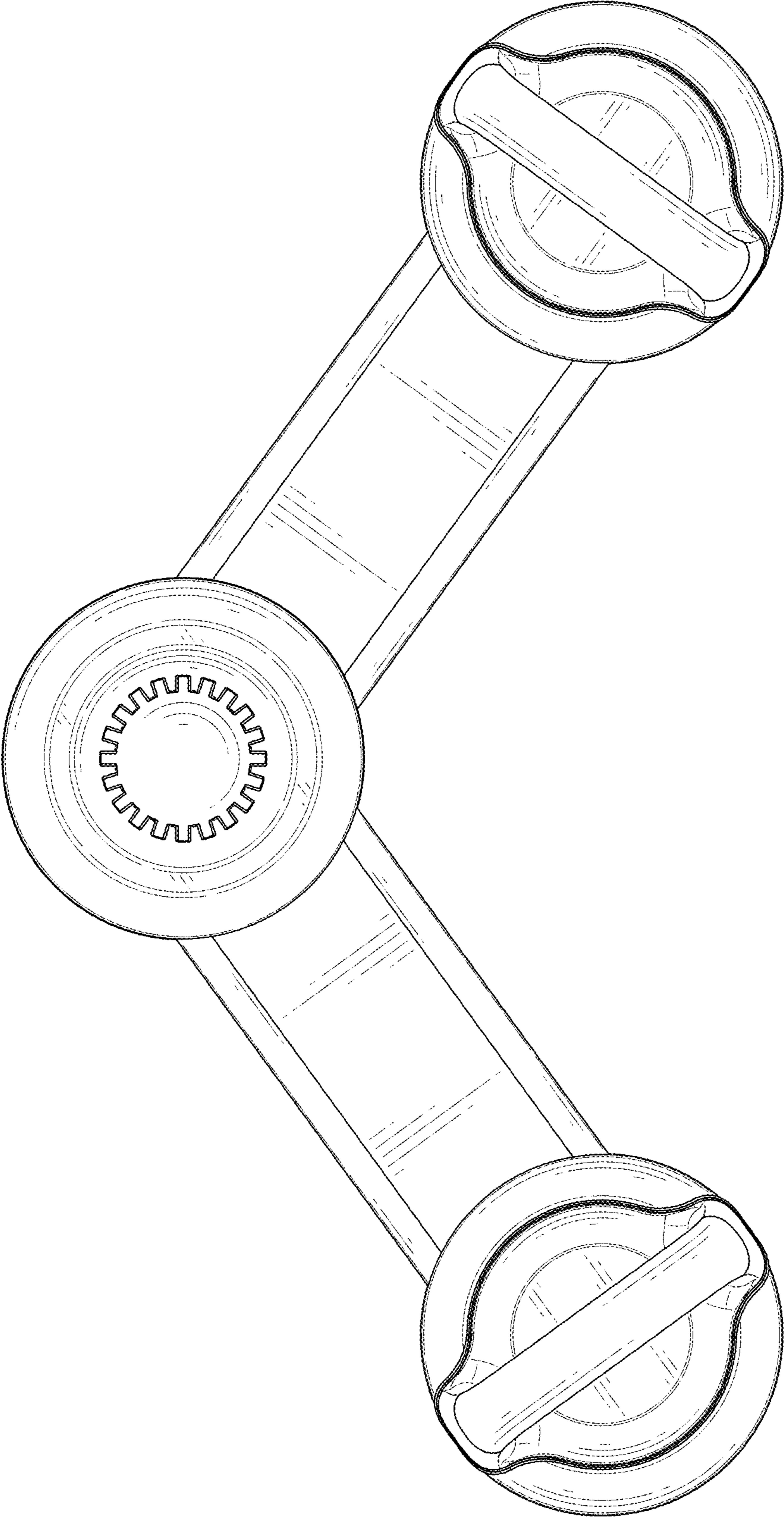


FIG. 12



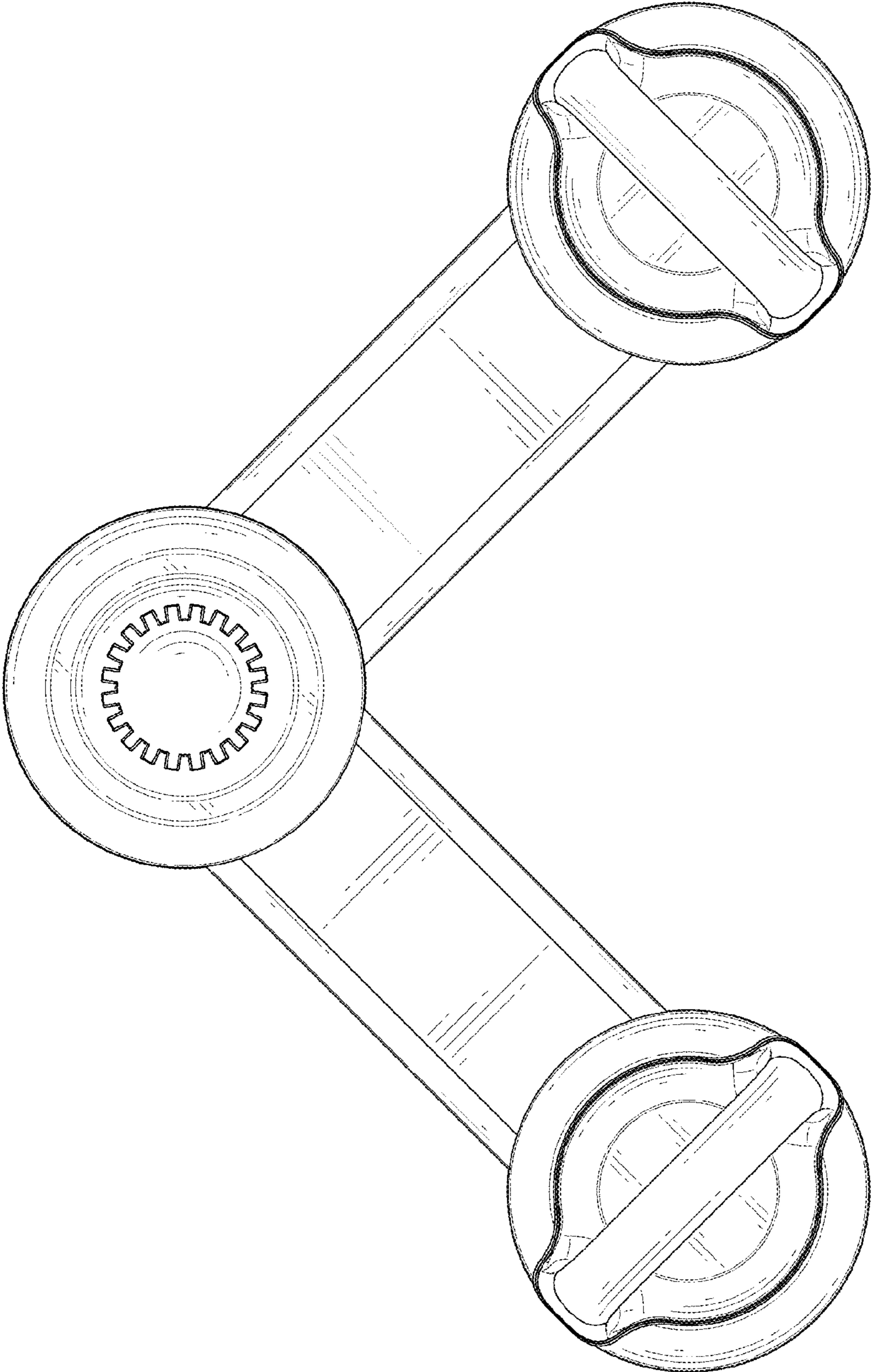


FIG. 13

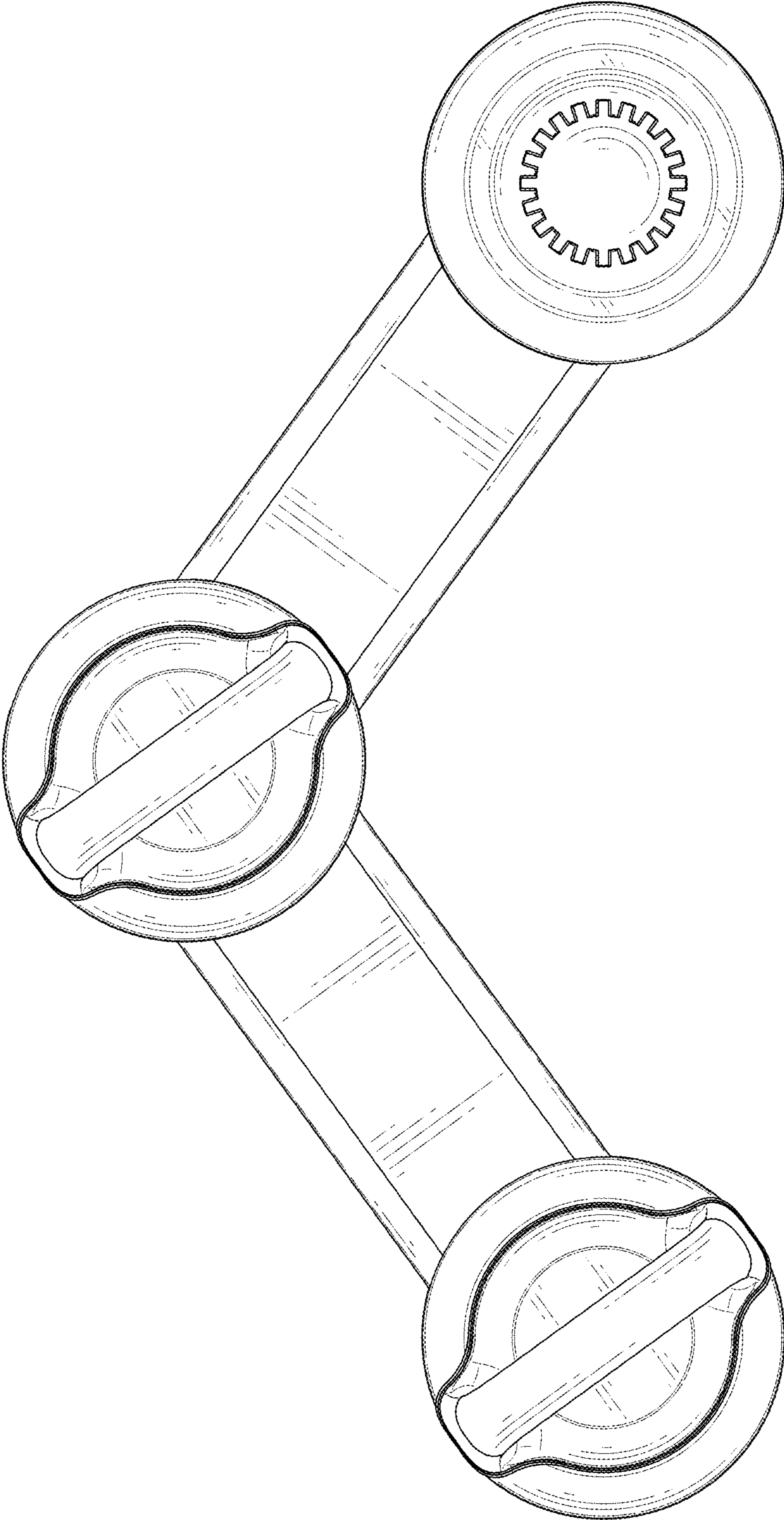


FIG. 14

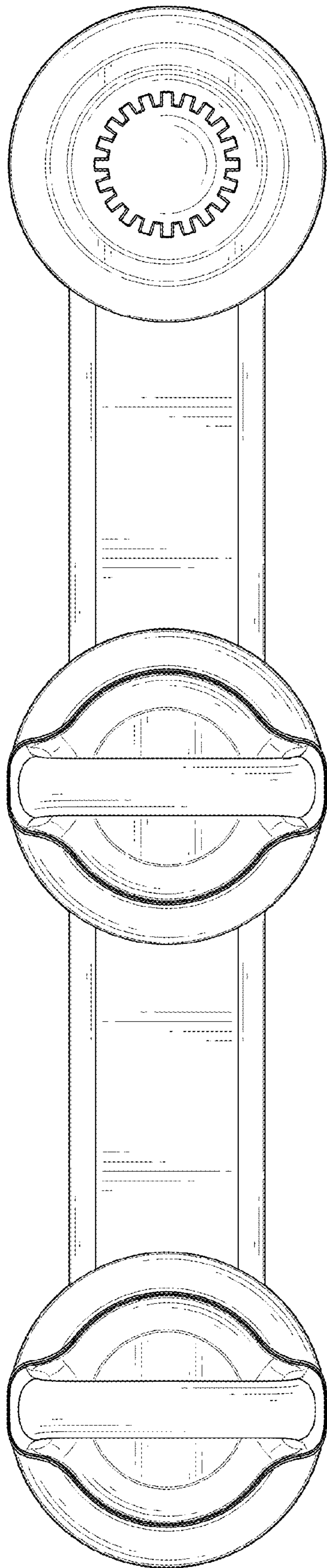


FIG. 15



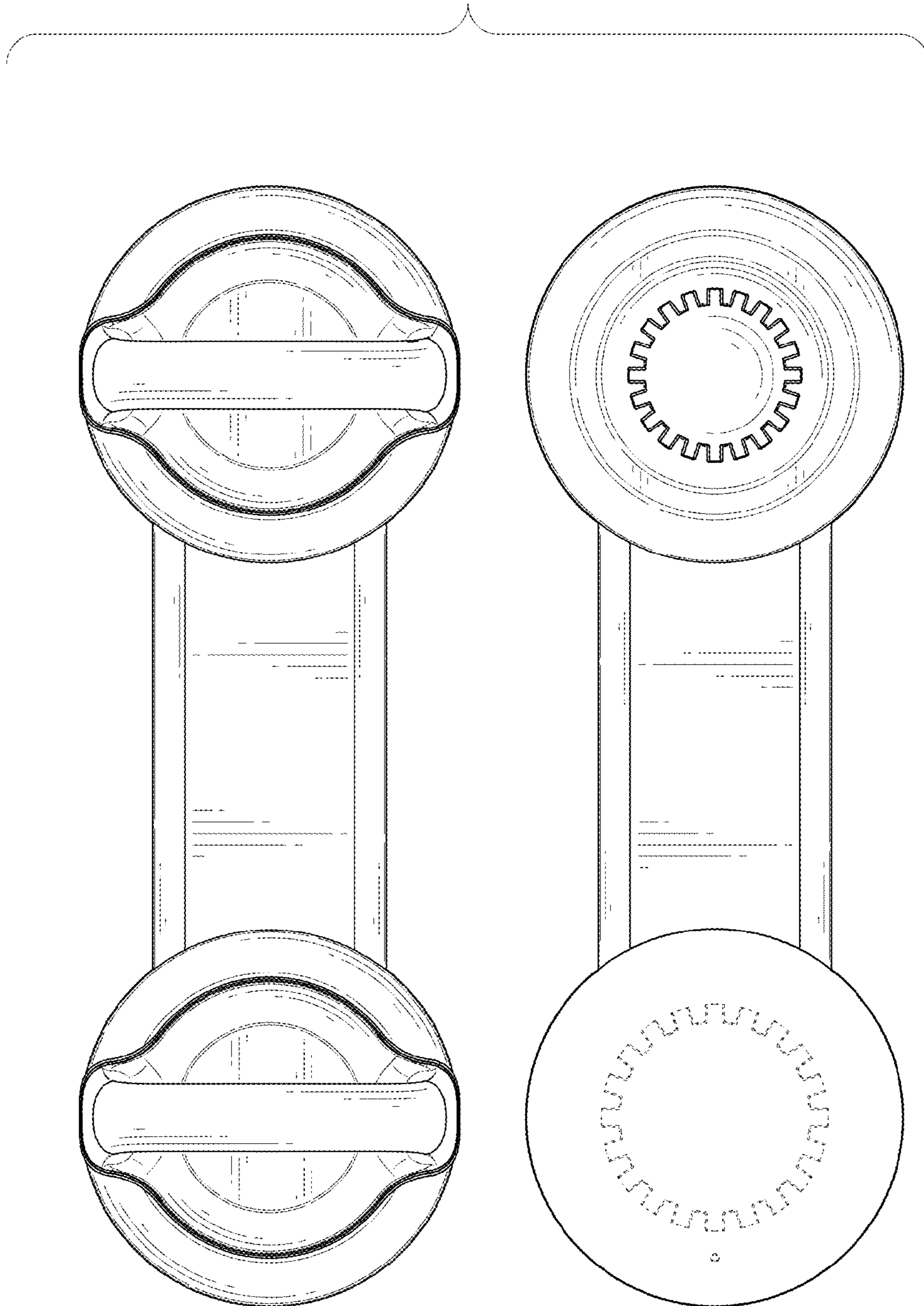


FIG. 16

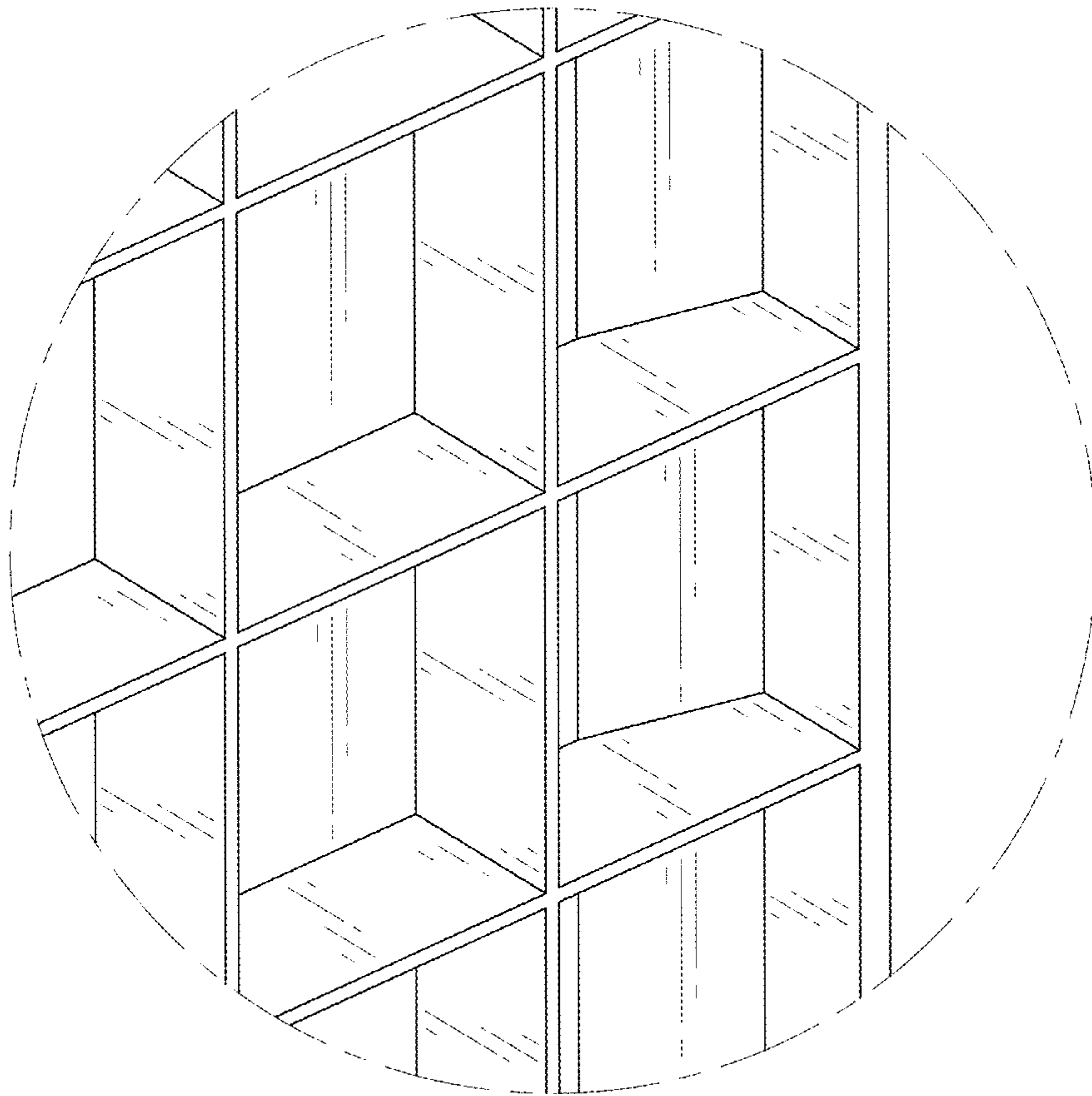


FIG. 17