



US00D904534S

(12) **United States Design Patent** (10) **Patent No.:** **US D904,534 S**
Rhodes et al. (45) **Date of Patent:** **** *Dec. 8, 2020**

(54) **ATHLETIC HAND GRIP**

(71) Applicant: **Bear KompleX**, Crown Point, IN (US)

(72) Inventors: **Jacob A. Rhodes**, Crown Point, IN (US); **Adrian N. Richie**, Crown Point, IN (US)

(73) Assignee: **Bear KompleX**, Crown Point, IN (US)

(*) Notice: This patent is subject to a terminal disclaimer.

(**) Term: **15 Years**

(21) Appl. No.: **29/709,420**

(22) Filed: **Oct. 14, 2019**

Related U.S. Application Data

(60) Continuation of application No. 29/657,092, filed on Jul. 19, 2018, now Pat. No. Des. 863,464, which is a (Continued)

(51) **LOC (12) Cl.** **21-02**

(52) **U.S. Cl.**
USPC **D21/684**

(58) **Field of Classification Search**
USPC D21/797, 698, 662, 683, 692, 687, 693; 482/23, 48, 139, 44, 105, 91, 95, 124, (Continued)

(56) **References Cited**

U.S. PATENT DOCUMENTS

1,692,201 A 11/1928 Denman et al.
D174,430 S 4/1955 Horowitz
(Continued)

FOREIGN PATENT DOCUMENTS

ES 0523093 S 4/2016

OTHER PUBLICATIONS

Rage Fitness, Product Catalog, Spring 2014, 2 pages.

(Continued)

Primary Examiner — Ryan Harvey

(74) *Attorney, Agent, or Firm* — Faegre Drinker Biddle & Reath LLP

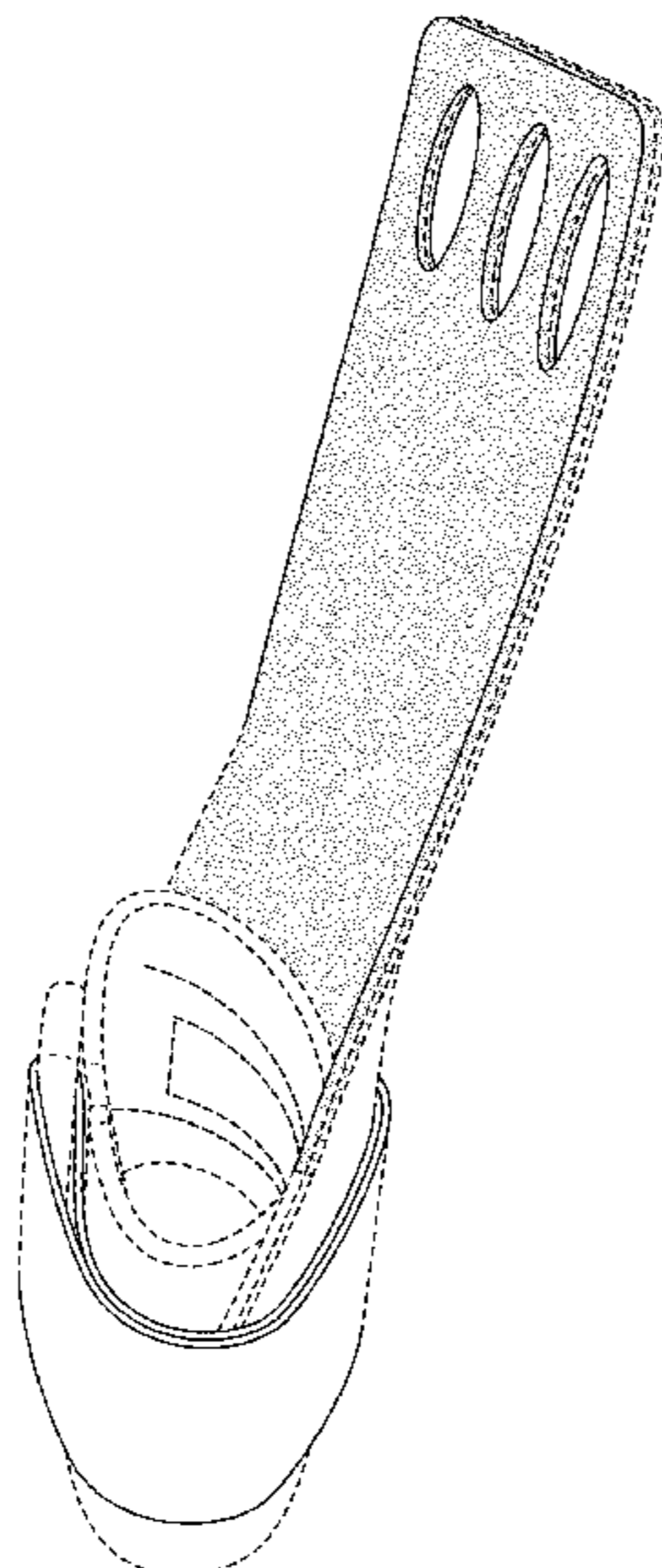
(57) **CLAIM**

We claim the ornamental design for an athletic hand grip, as shown and described.

DESCRIPTION

FIG. 1 is a perspective view of an athletic hand grip; FIG. 2 is a front elevational view of the athletic hand grip of FIG. 1; FIG. 3 is a rear elevational view of the athletic hand grip of FIG. 1; FIG. 4 is a side elevational view of the athletic hand grip of FIG. 1; FIG. 5 is another side elevational view of the athletic hand grip of FIG. 1; FIG. 6 is a top plan view of the athletic hand grip of FIG. 1; FIG. 7 is a bottom plan view of the athletic hand grip of FIG. 1; FIG. 8 is a front elevational view similar to FIG. 2 and shows the athletic hand grip being worn on a user's hand; and, FIG. 9 is a rear elevational view similar to FIG. 3 and shows the athletic hand grip being worn on the user's hand. The stipple shading shown in FIGS. 1, 3, 4, 5, 6, 7 and 9 represents a rough leather texture. The user's hand and other elements of the athletic hand grip are shown in broken lines for reference only in FIGS. 1-9 and form no part of the claimed design. Our design includes a second embodiment of an athletic hand grip that is a mirror image of the design shown in FIGS. 1-9.

1 Claim, 7 Drawing Sheets



Related U.S. Application Data

division of application No. 29/567,005, filed on Jun. 3, 2016, now Pat. No. Des. 855,719.

(58) **Field of Classification Search**

USPC 482/123, 125, 126, 904, 131, 129, 140, 482/74, 121, 122; 2/161.1, 162, 170, 2/917, 16, 20; D8/330, 303; D29/113, D29/120.1, 791, 797, 190, 117.1; 473/205; D24/190, 206, 200; D20/22
CPC A63B 21/0552; A63B 2209/10; A63B 21/4035; A63B 21/0557; A63B 21/0442; A63B 21/4043; A63B 23/16; A63B 2023/006; A63B 21/4019

See application file for complete search history.

(56) **References Cited**

U.S. PATENT DOCUMENTS

D235,401 S	6/1975	Tegner et al.	
D256,401 S	8/1980	Adams	
4,400,831 A	8/1983	Rietz	
D275,219 S	8/1984	Scales, Jr.	
D275,695 S	9/1984	Brown	
D276,062 S	10/1984	Dennis	
4,632,103 A	12/1986	Fabricant et al.	
D295,897 S	5/1988	Thimm-Kelly	
D340,990 S	11/1993	Kawamura	
5,298,001 A	3/1994	Goodson	
5,350,343 A	9/1994	DaSilva	
5,479,660 A	1/1996	Najac	
5,745,920 A	5/1998	Olivier	
5,809,570 A	9/1998	Grover	
5,813,950 A	9/1998	Parker	
5,898,944 A *	5/1999	Vrany A41D 19/01547	2/160
D425,394 S	5/2000	Brady	
D449,136 S	10/2001	Valiance	
D459,772 S	7/2002	Meldeau	
D463,566 S	9/2002	Slautterback	
D464,686 S	10/2002	Silveira et al.	
D478,195 S	8/2003	McGinty	
6,666,795 B2	12/2003	May	
D496,706 S	9/2004	Auberger	
D497,679 S	10/2004	Soika	
6,834,397 B1	12/2004	Murphy	
D502,231 S	2/2005	Auberger	
6,849,036 B2	2/2005	Forslid	
D502,573 S	3/2005	Jones	
D508,097 S	8/2005	Perez	
D513,297 S	12/2005	Bourget	
7,008,355 B2	3/2006	Emick	
D520,366 S	5/2006	Fonnesbeck	
7,043,762 B2	5/2006	Greenhalgh	
D647,778 S	11/2011	Gallik	
D706,890 S	6/2014	Scheffer	
D706,891 S	6/2014	Scheffer	
8,747,284 B2	6/2014	Ingram	
D710,955 S	8/2014	Boruch	
D728,039 S	4/2015	Groshek et al.	
D734,407 S	7/2015	Gangemi et al.	
D741,974 S	10/2015	Lung	
D751,771 S	3/2016	Hunter et al.	
D752,695 S	3/2016	Boruch	
9,380,817 B1	7/2016	Drake	
D763,516 S	8/2016	Robbins	
D769,538 S	10/2016	Gutman	
D770,690 S	11/2016	Robbins	
9,643,073 B1	5/2017	Pellegrino	
D804,589 S *	12/2017	Boruch D21/662	
D806,956 S *	1/2018	Hunter D29/117.1	
D815,699 S	4/2018	Koven	

D824,112 S *	7/2018	Picon D29/117.2	
D855,719 S *	8/2019	Rhodes D21/684	
10,383,380 B2 *	8/2019	Koven A41F 19/00	
D860,340 S *	9/2019	Jones D21/683	
D863,464 S *	10/2019	Rhodes D21/662	
D868,387 S *	11/2019	Picon D29/117.2	
10,486,011 B2 *	11/2019	McGuire A63B 21/4019	
D869,094 S *	12/2019	Picon D29/117.2	
D869,095 S *	12/2019	Picon D29/117.2	
2003/0130096 A1	7/2003	LaCroce	
2003/0199364 A1	10/2003	Mah	
2005/0081273 A1 *	4/2005	Ota A63B 71/14	2/17
2006/0084557 A1	4/2006	Kassel et al.	
2008/0008597 A1	1/2008	Dannemiller et al.	
2008/0120755 A1	5/2008	Ingram et al.	
2009/0320178 A1 *	12/2009	Faulconer A63B 71/141	2/161.1
2010/0000006 A1 *	1/2010	Butler A63B 21/0605	2/160
2010/0031411 A1 *	2/2010	Andrews A41D 19/0017	2/20
2010/0043113 A1	2/2010	Clark et al.	
2011/0113530 A1 *	5/2011	Ballard A41B 11/004	2/239
2012/0017351 A1 *	1/2012	McCrane A63B 71/141	2/161.1
2012/0283073 A1	11/2012	Zabel	
2013/0000006 A1 *	1/2013	Norton A41F 1/06	2/16
2013/0198920 A1 *	8/2013	Wittman A63B 71/141	2/16
2013/0232655 A1	9/2013	Bell	
2013/0331236 A1	12/2013	Moss	
2014/0213420 A1 *	7/2014	Harris A63B 71/14	482/93
2014/0373247 A1 *	12/2014	Swaby A63B 71/14	2/69
2015/0052655 A1 *	2/2015	McCully A41D 13/084	2/16
2015/0057133 A1	2/2015	Nguyen	
2015/0072579 A1 *	3/2015	Jack A63B 69/00	441/57
2015/0148197 A1	5/2015	Lentz et al.	
2015/0367167 A1	12/2015	Swaby	
2017/0020212 A1	1/2017	Koven	
2017/0348584 A1	12/2017	Rhodes et al.	
2018/0140929 A1	5/2018	Pellegrino	

OTHER PUBLICATIONS

BearKomplex by Grinder's Gear Review dated Apr. 1, 2016. Found on line [Aug. 18, 2017] <https://www.youtube.com/watch?v=TDNfermfCY>.

Bear by Bear Komplex dated Jun. 12, 2015. Found on line [Aug. 18, 2017] https://www.amazon.com/Bear-KompleX-gymnastics-Training-kettlebell/product-reviews/B0193G1U28/ref=cm_cr_arp_d_paging_btm_66?ie=UTF8&reviewerType=avp_only_reviews&sortBy=recent&pageNumber=66.

Bear Komplex (@bearkomplex). "Get a grip!" Instagram, Jun. 2, 2015. <https://www.instagram.com/p/3boEHZgLCU/>.

Bear Komplex (@bearkomplex). "3hole in the tan leather will be ready next week." Instagram, May 30, 2015. <https://www.instagram.com/p/3TIUF2gLG/>.

Bear Komplex (@bearkomplex). "New Bear Komplex hand grips coming soon. Get Better!" Instagram, May 26, 2015. <https://www.instagram.com/p/3KN9oVALJD/>.

Evidence of indexed www.bearkomplex.com webpage on or after Sep. 26, 2015, referencing Instagram post of May 30, 2015, U.S. Appl. No. 15/612,489 (Year: 2015).

* cited by examiner

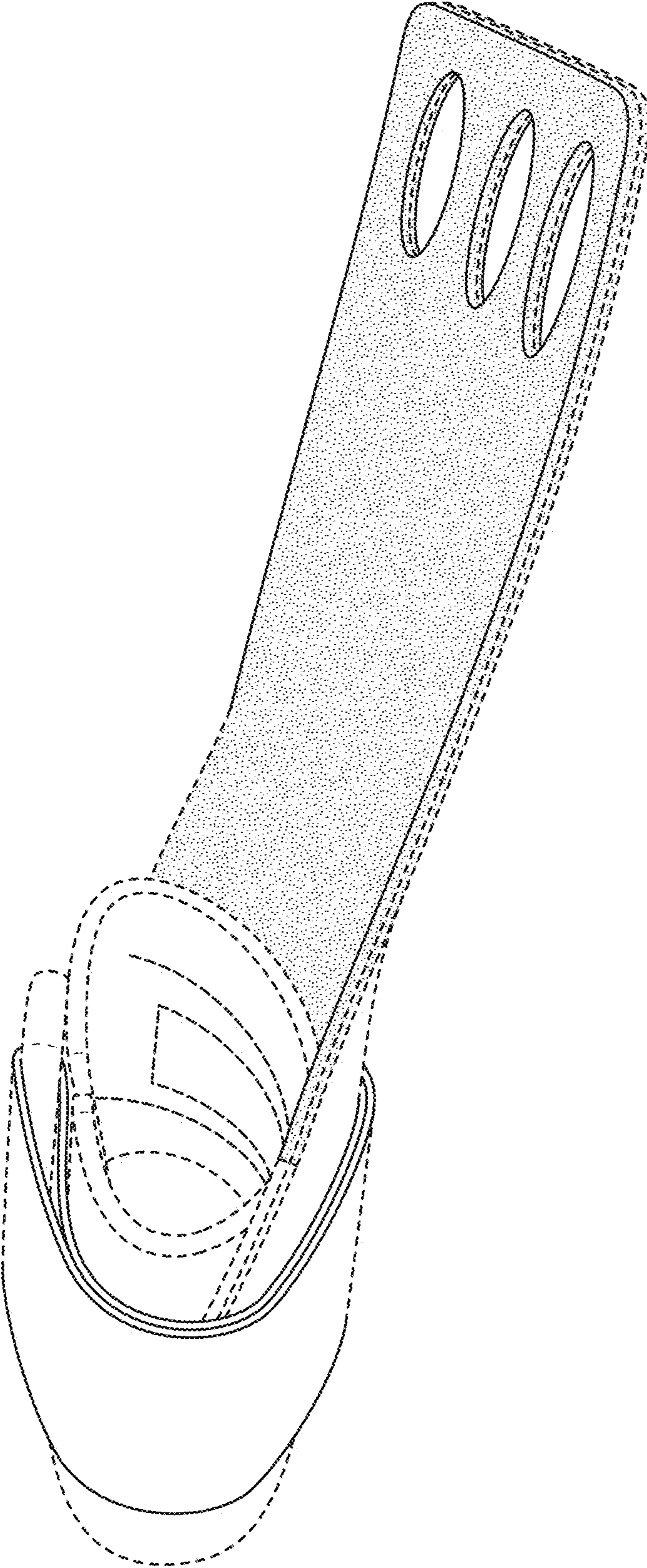


FIG. 1

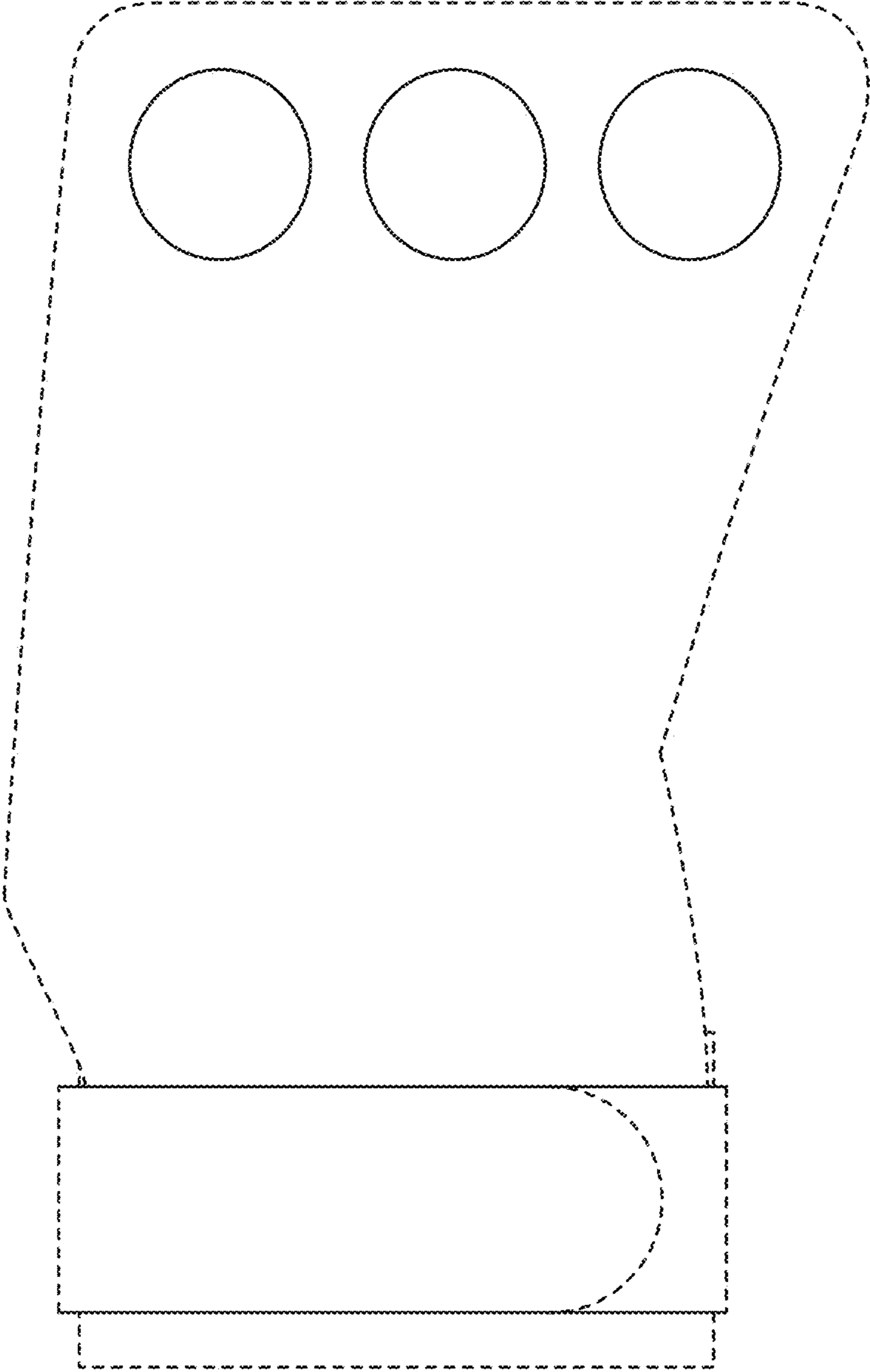


FIG. 2

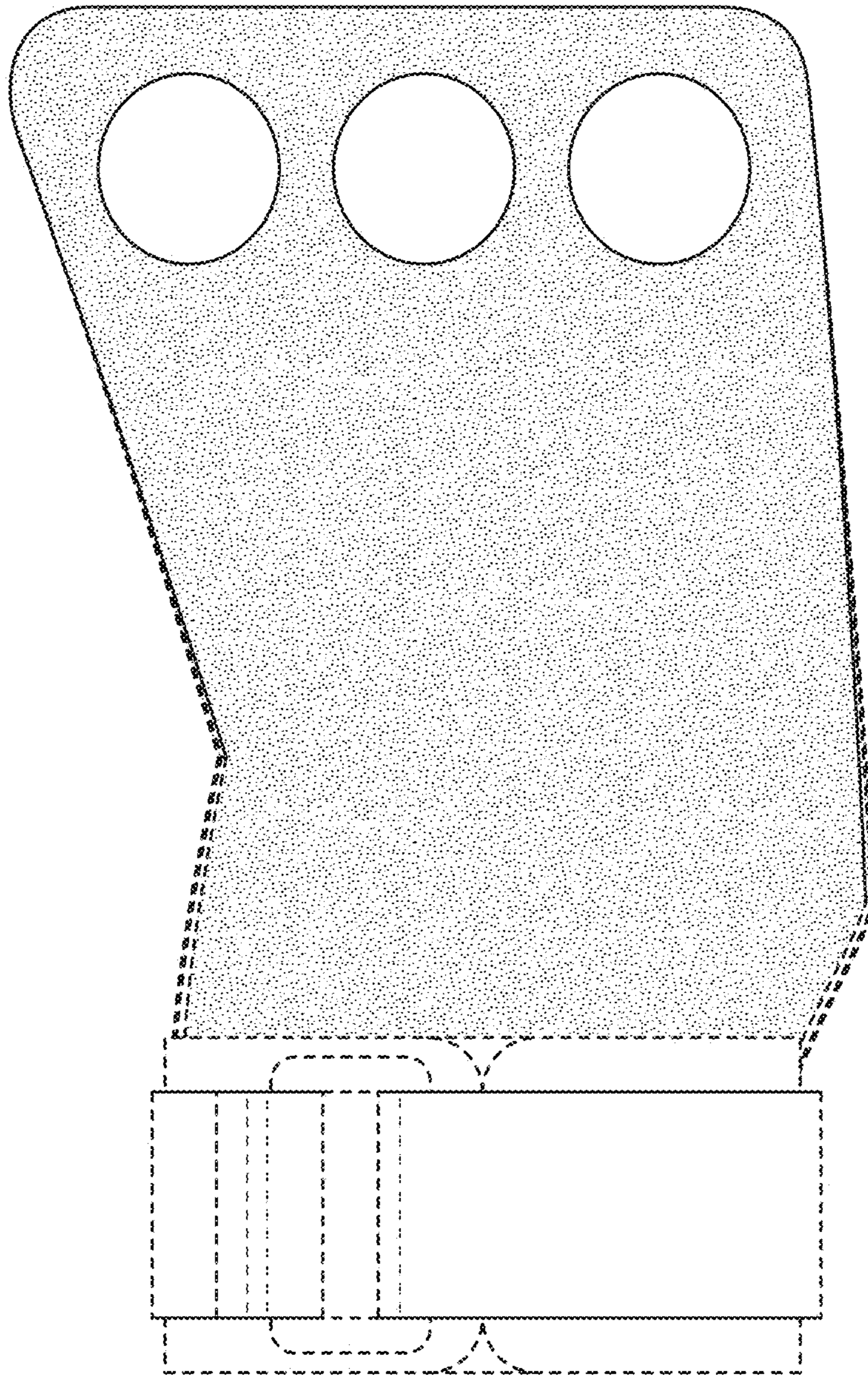


FIG. 3

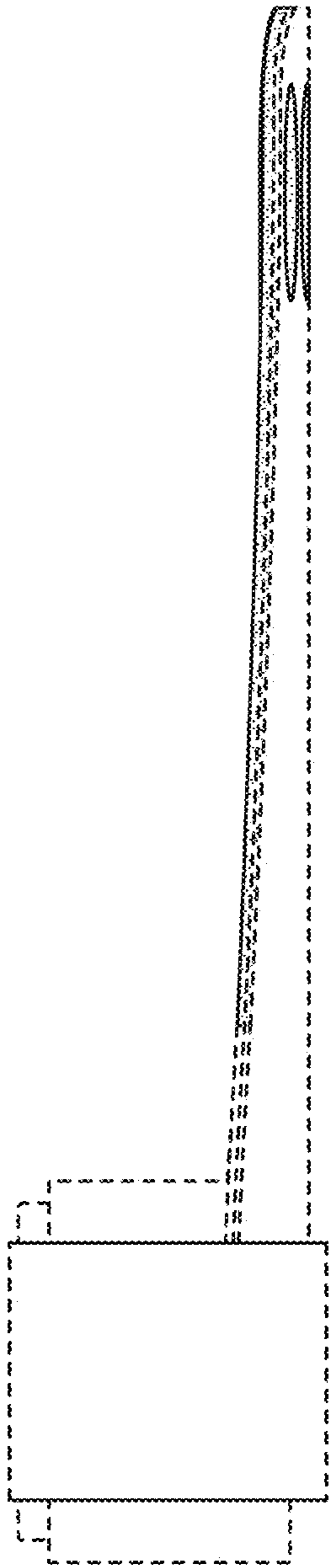


FIG. 4

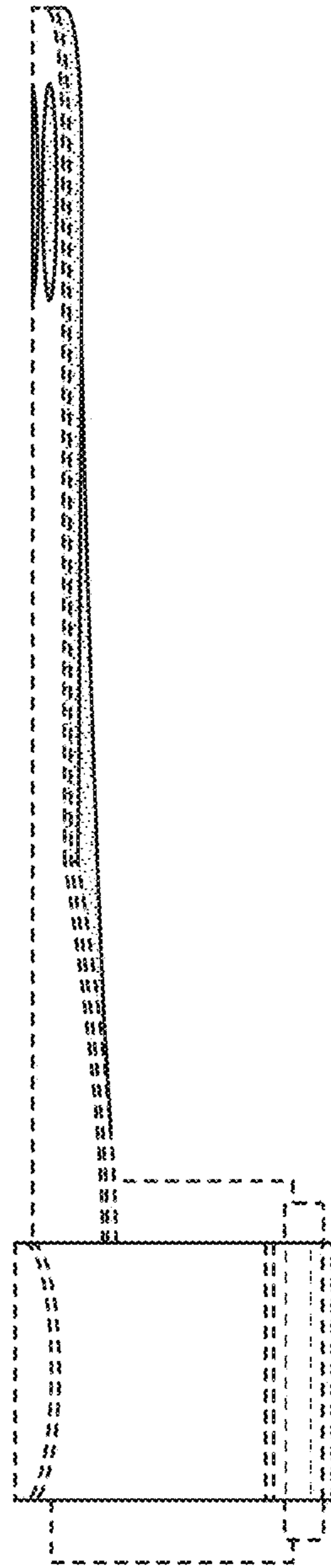


FIG. 5

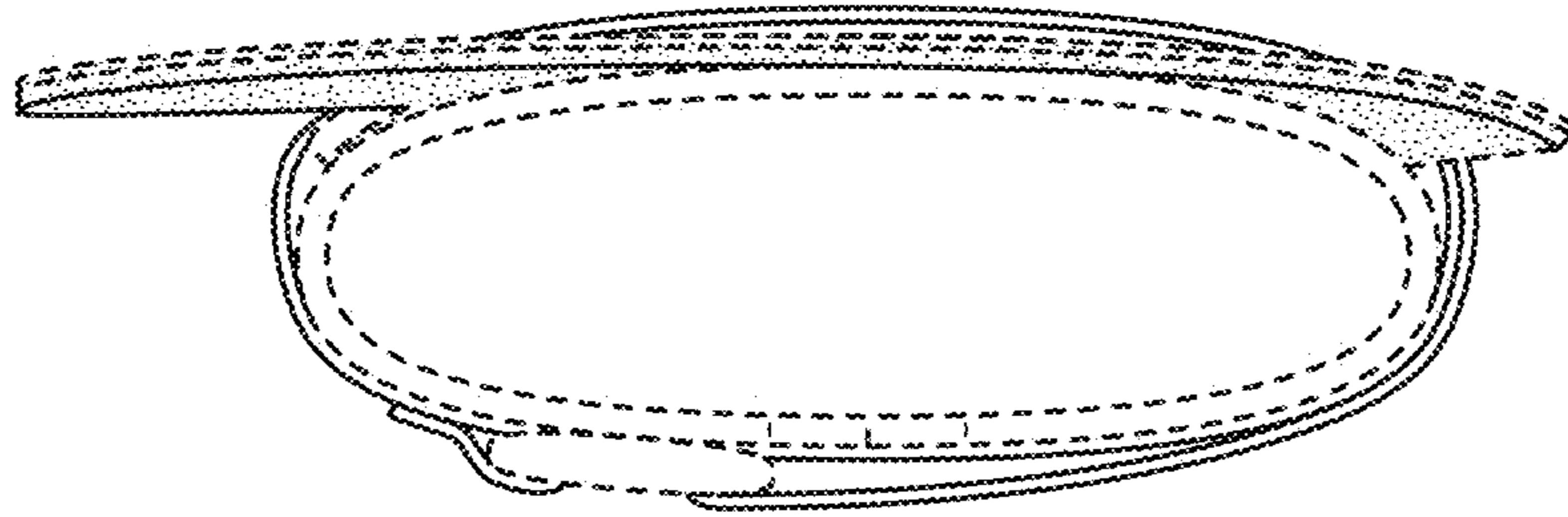


FIG. 6

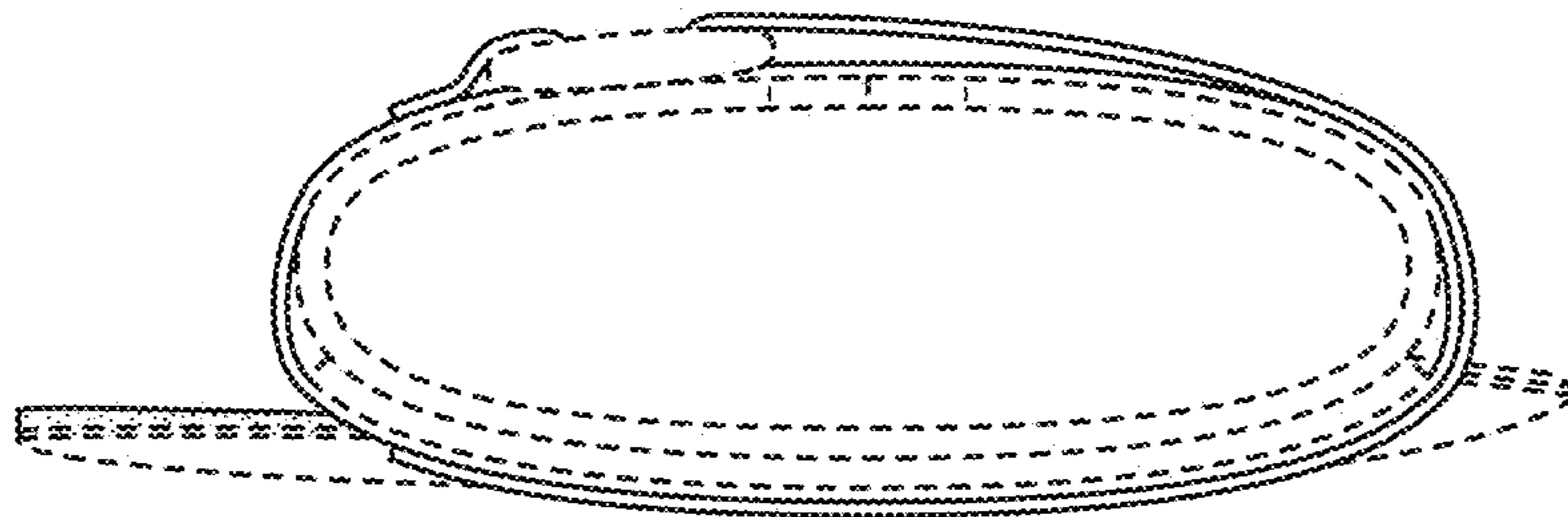


FIG. 7

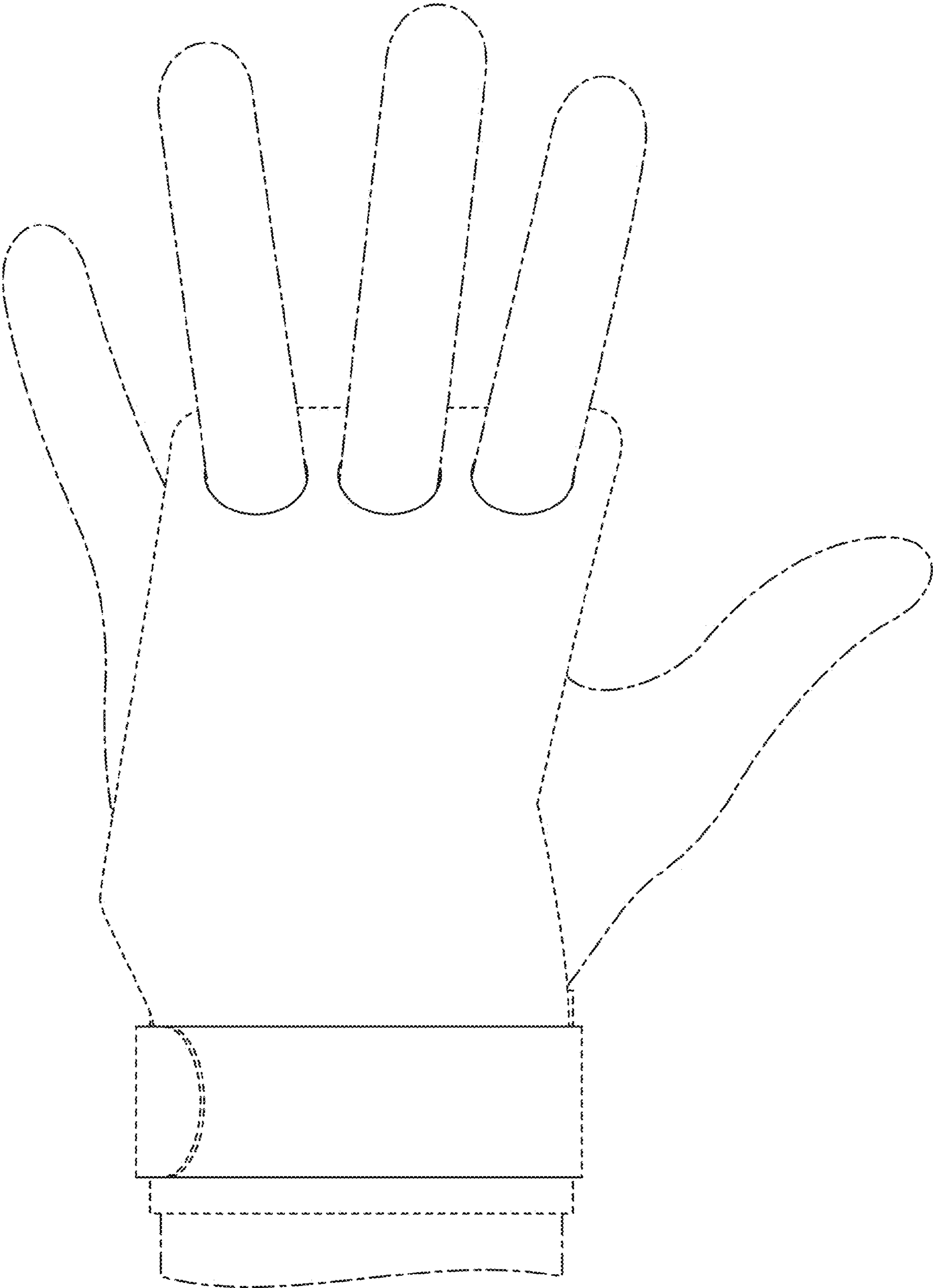


FIG. 8

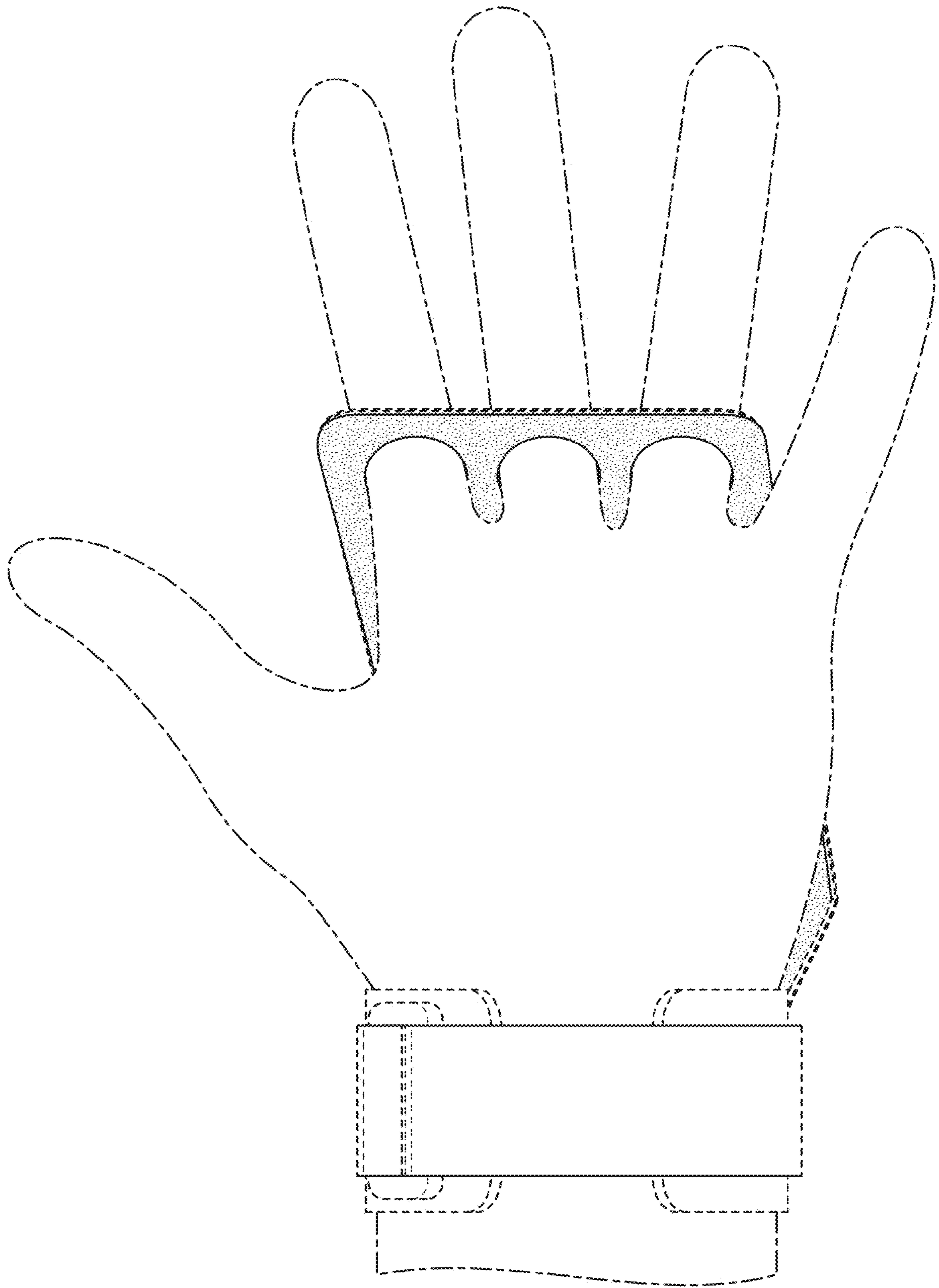


FIG. 9