



US00D904532S

(12) **United States Design Patent** (10) **Patent No.:** **US D904,532 S**  
**Ewing et al.** (45) **Date of Patent:** **\*\* \*Dec. 8, 2020**

(54) **MODEL VEHICLE AXLE CARRIER**

FOREIGN PATENT DOCUMENTS

(71) Applicant: **TRAXXAS LP**, McKinney, TX (US)

DE 102008057196 A1 7/2009

(72) Inventors: **Adam Cole Ewing**, McKinney, TX (US); **Jory Sprowl**, Honey Grove, TX (US); **Otto Karl Allmendinger**, Rowlett, TX (US)

OTHER PUBLICATIONS

Axial; Axial SCX10 II; Aug. 2016.

(Continued)

(73) Assignee: **TRAXXAS LP**, McKinney, TX (US)

*Primary Examiner* — Cynthia M. Chin

(\*) Notice: This patent is subject to a terminal disclaimer.

(74) *Attorney, Agent, or Firm* — Daryl R. Wright; Greg Carr

(\*\*) Term: **15 Years**

(57) **CLAIM**

We claim the ornamental design for a model vehicle axle carrier, as shown and described.

(21) Appl. No.: **29/705,200**

(22) Filed: **Sep. 10, 2019**

**DESCRIPTION**

(51) **LOC (12) Cl.** ..... **21-01**

(52) **U.S. Cl.**

USPC ..... **D21/561**

(58) **Field of Classification Search**

USPC ..... D21/533, 548–552, 561, 562; D12/160

CPC .... A63H 17/00; A63H 17/002; A63H 17/004;

A63H 17/26; A63H 17/262; A63H

17/264; A63H 17/266; A63H 17/34;

A63H 17/36; A63H 17/38; A63H 29/00;

A63H 29/16; A63H 29/165; A63H 29/22;

A63H 29/24

See application file for complete search history.

FIG. 1 is an upper, left, front perspective view of a model vehicle axle carrier;

FIG. 2 is a front elevation view thereof;

FIG. 3 is a rear elevation view thereof;

FIG. 4 is a right side elevation view thereof;

FIG. 5 is a left side elevation view thereof;

FIG. 6 is a top plan view thereof;

FIG. 7 is a bottom plan view thereof; and,

FIG. 8 is an upper, left, front perspective environmental use view of the model vehicle axle carrier.

In the drawings, the broken line showing of features of the model vehicle axle carrier illustrate portions of the model vehicle axle carrier that form no part of the claimed design; whereas, the broken line showing of the environmental use view depicts environmental subject matter and is provided for the purposes of illustrating environmental use structure and context and also forms no part of the claimed design.

In the drawings, only the first embodiment of the model vehicle axle carrier is shown. The second embodiment of the claimed design is a right model vehicle axle carrier which is a mirror image of the left model vehicle axle carrier disclosed in the first embodiment.

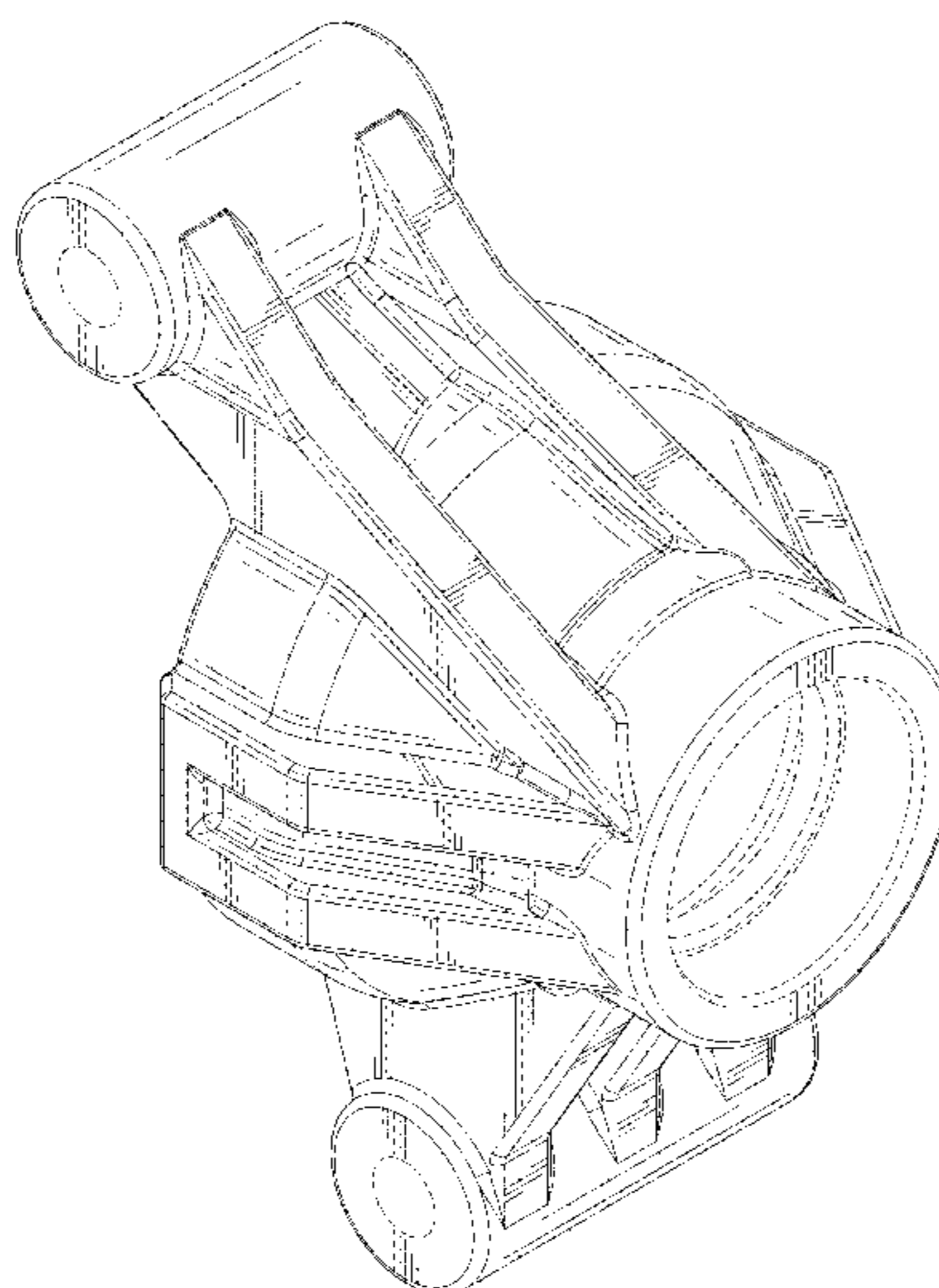
(56) **References Cited**

U.S. PATENT DOCUMENTS

1,377,905 A	5/1921	Martz
1,455,706 A	5/1923	Bower et al.
2,041,992 A	5/1936	Noel
2,083,085 A	6/1937	Palmer
2,132,545 A	10/1938	Smith
2,547,435 A	4/1951	Bouchard
3,306,077 A	2/1967	Piatti
3,333,654 A	8/1967	Price-Stephens

(Continued)

**1 Claim, 8 Drawing Sheets**



(56)

References Cited

U.S. PATENT DOCUMENTS

3,767,221 A 10/1973 Asberg  
 D242,442 S 11/1976 Garrison  
 4,509,932 A 4/1985 Weible  
 4,632,203 A 12/1986 Krude  
 4,690,656 A 9/1987 Friedman et al.  
 D304,472 S 11/1989 Poulsen  
 D304,473 S 11/1989 Poulsen  
 D311,942 S 11/1990 Dideriksen  
 D332,978 S 2/1993 Tsuchiya  
 D341,560 S 11/1993 Fabris et al.  
 5,338,247 A 8/1994 Miles  
 5,498,208 A 3/1996 Braun  
 D403,023 S 12/1998 Araki  
 5,954,586 A 9/1999 Kirson  
 6,394,878 B1 5/2002 Wang  
 6,416,136 B1 7/2002 Smith  
 6,478,709 B1 11/2002 Irwin et al.  
 6,513,614 B2 2/2003 Knutson et al.  
 6,773,353 B2 8/2004 Cornay et al.  
 6,820,707 B1 11/2004 Cantemir  
 7,144,326 B2 12/2006 Thompson  
 7,690,660 B2\* 4/2010 Dudding ..... B60G 9/003  
 280/124.116  
 7,810,604 B2 10/2010 Byers et al.  
 7,841,923 B2 11/2010 Marzetta et al.  
 D686,677 S 7/2013 Simonds  
 D686,952 S\* 7/2013 Rau ..... D12/160  
 8,540,260 B1\* 9/2013 Batdorf ..... B60G 9/022  
 280/124.111  
 8,574,022 B2 11/2013 Grisolia et al.  
 8,893,364 B2\* 11/2014 Rode ..... F16C 25/06  
 29/407.05  
 D822,125 S\* 7/2018 Ewing ..... D21/561  
 D826,340 S\* 8/2018 Ewing ..... D21/561  
 D847,911 S\* 5/2019 Wood ..... D21/495  
 D847,912 S\* 5/2019 Wood ..... D21/495  
 D866,683 S\* 11/2019 Ewing ..... D21/561

D868,171 S\* 11/2019 Wood ..... D21/495  
 D869,348 S\* 12/2019 Kucharski ..... D12/160  
 2002/0065021 A1 5/2002 Wang  
 2002/0160688 A1 10/2002 Rehkemper et al.  
 2002/0165031 A1 11/2002 Riefe  
 2004/0005931 A1 1/2004 Wang et al.  
 2004/0231910 A1 11/2004 Mercier et al.  
 2005/0206222 A1 9/2005 Swanson  
 2006/0240897 A1 10/2006 Carlini et al.  
 2007/0256659 A1 11/2007 Anderson et al.  
 2007/0293328 A1 12/2007 Mazziotti  
 2008/0238015 A1 10/2008 Duddling et al.  
 2009/0020973 A1\* 1/2009 Richardson ..... B60G 3/20  
 280/124.17  
 2009/0029821 A1\* 1/2009 Martin, III ..... F16H 57/037  
 475/231  
 2009/0039700 A1 2/2009 Gradu et al.  
 2009/0173033 A1 7/2009 Baxter, Jr.  
 2011/0001350 A1 1/2011 Schmitz et al.  
 2011/0057408 A1 3/2011 Koschinat  
 2011/0315468 A1 12/2011 Sellars et al.  
 2013/0278047 A1 10/2013 Gottschalk  
 2017/0028517 A1 2/2017 Ferrari  
 2017/0050483 A1 2/2017 Gordon et al.  
 2017/0370465 A1 12/2017 Fast et al.  
 2020/0282792 A1 9/2020 Horst Hafele et al.

OTHER PUBLICATIONS

Bomber; Bomber Fabrication Gusset Kit; Aug. 2016.  
 Wikipedia; Dana 44 Axle; Aug. 2016.  
 Reid Racing; Reid Racing Axle Products; Aug. 2016.  
 Currie; Currie RockJock 79 Axle; Aug. 2016.  
 Xray Model Racing Cars; "T1R Raycer-Instruction Manual;" Xray  
 Model Racing Cars, Trencin, Slovak Republic, Europe.  
 Traxxas; "T-Maxx Assemblies-Front Assembly;" Traxxas LP, Plano,  
 Texas.

\* cited by examiner



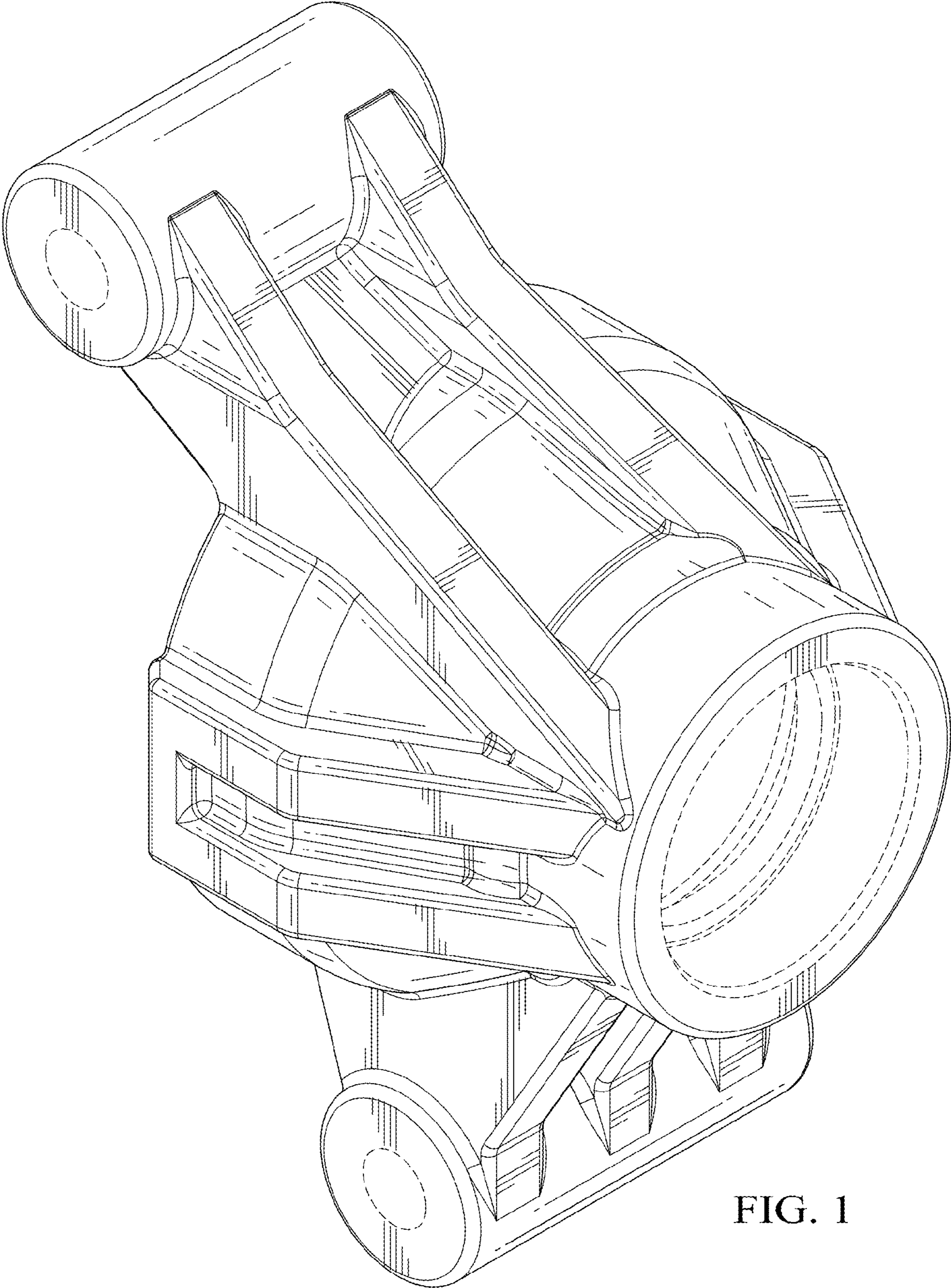


FIG. 1

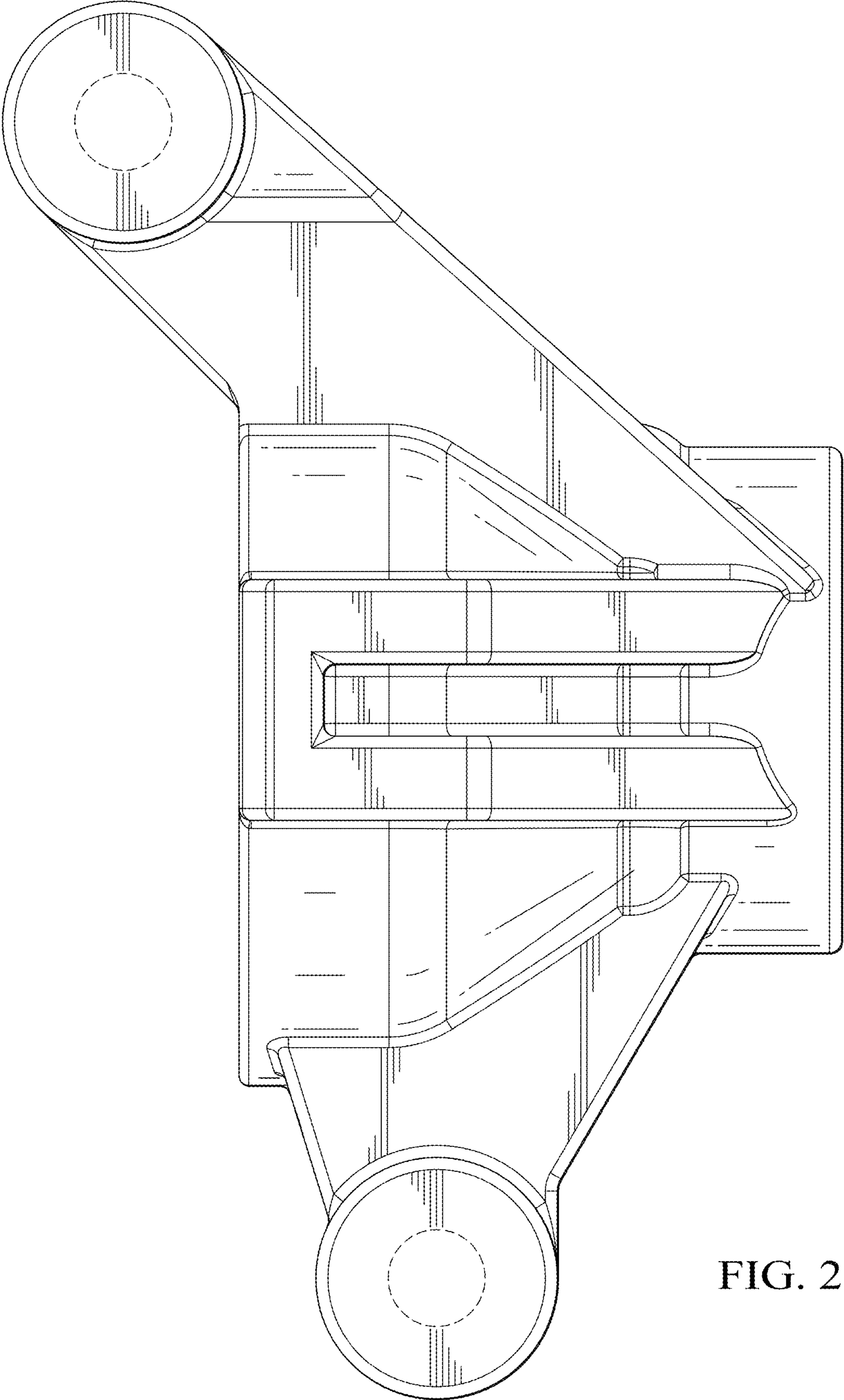


FIG. 2

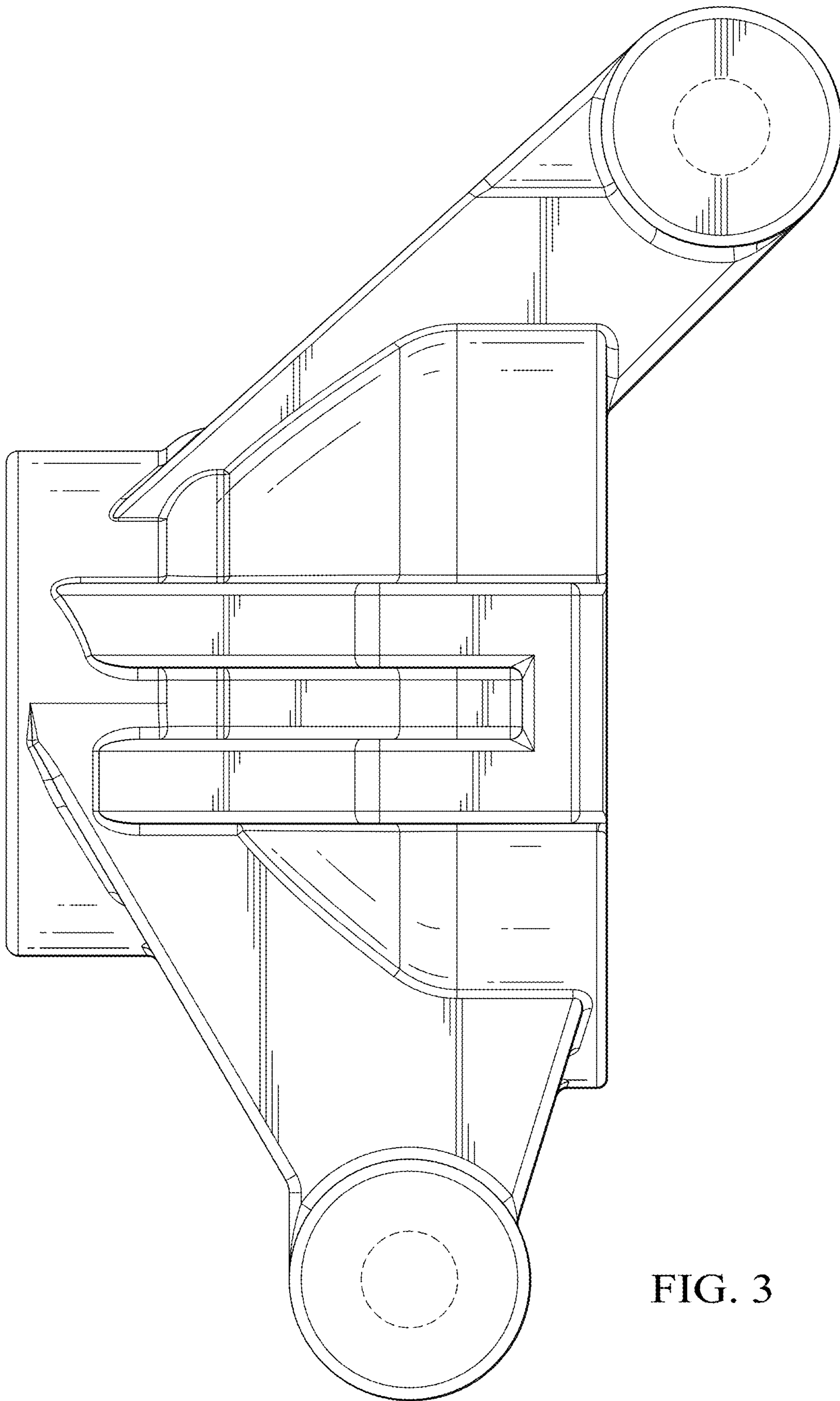


FIG. 3



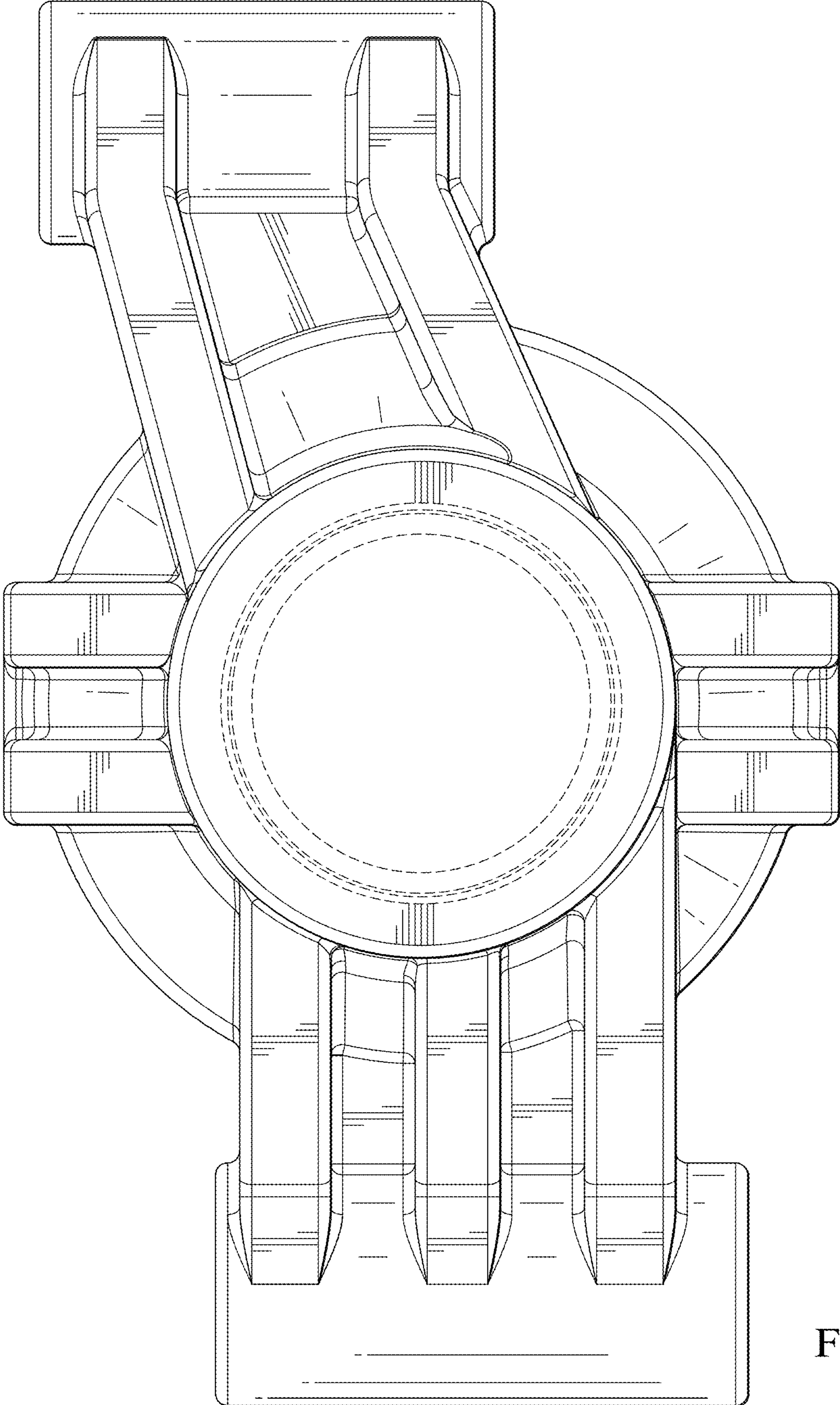


FIG. 4

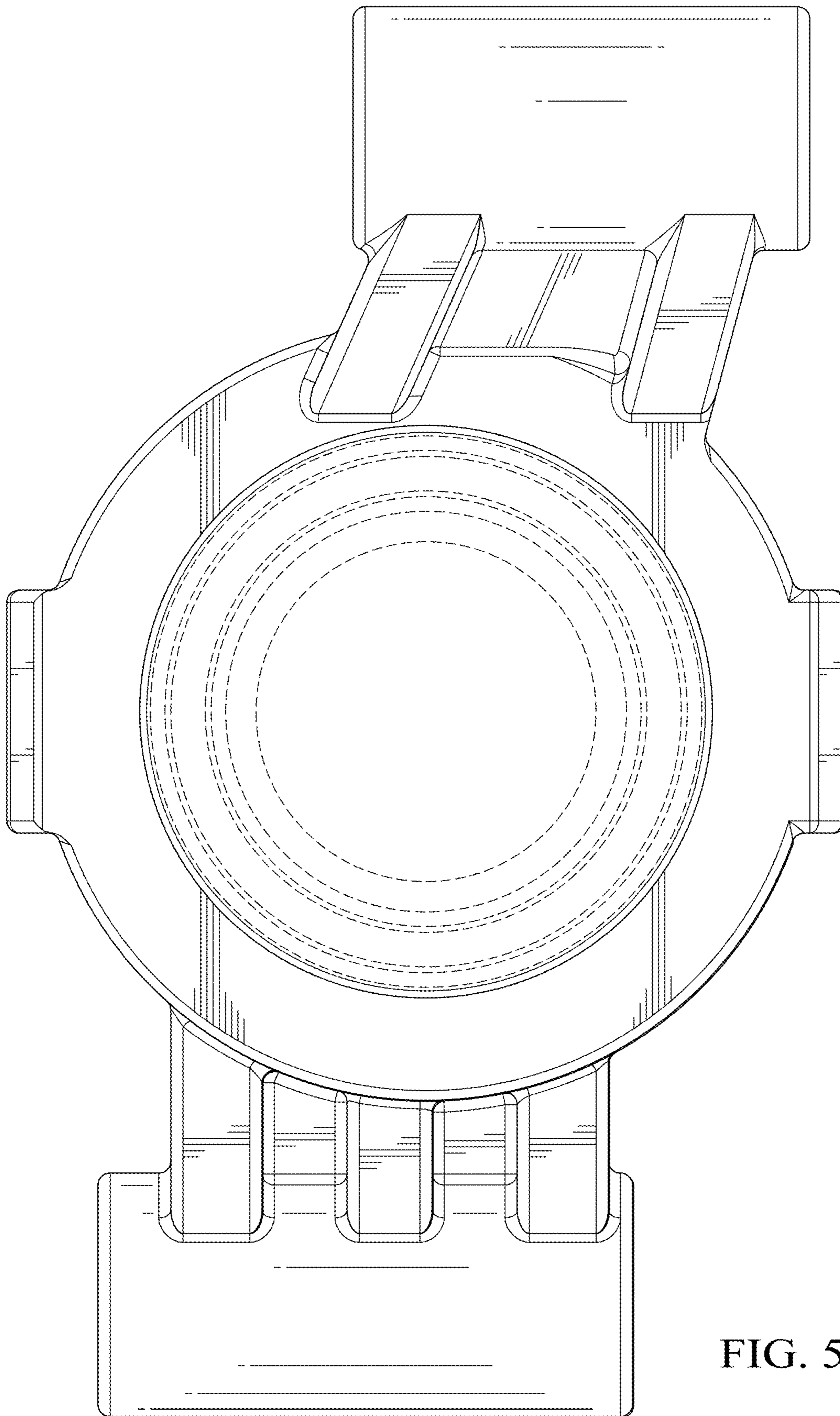


FIG. 5

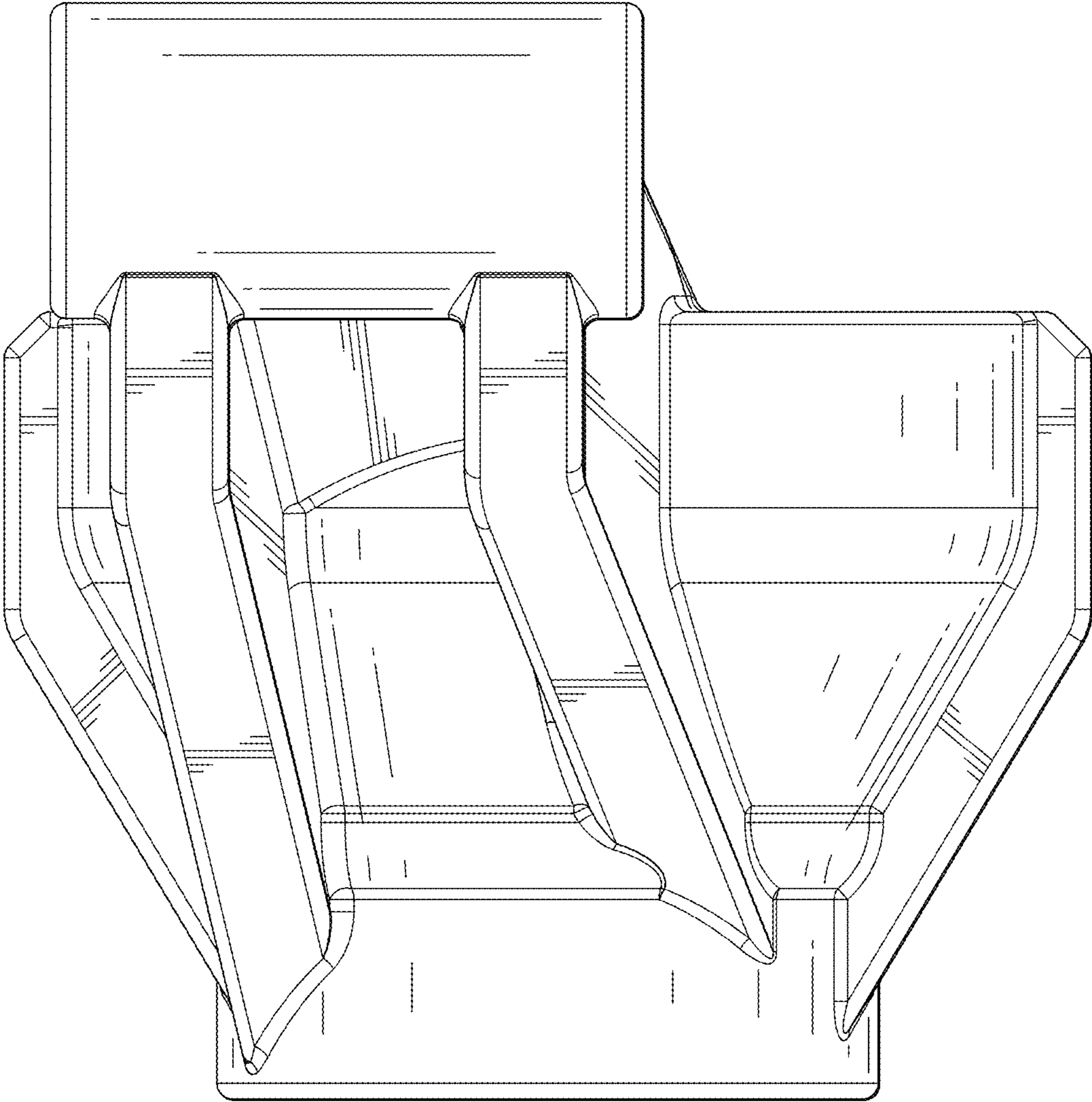


FIG. 6



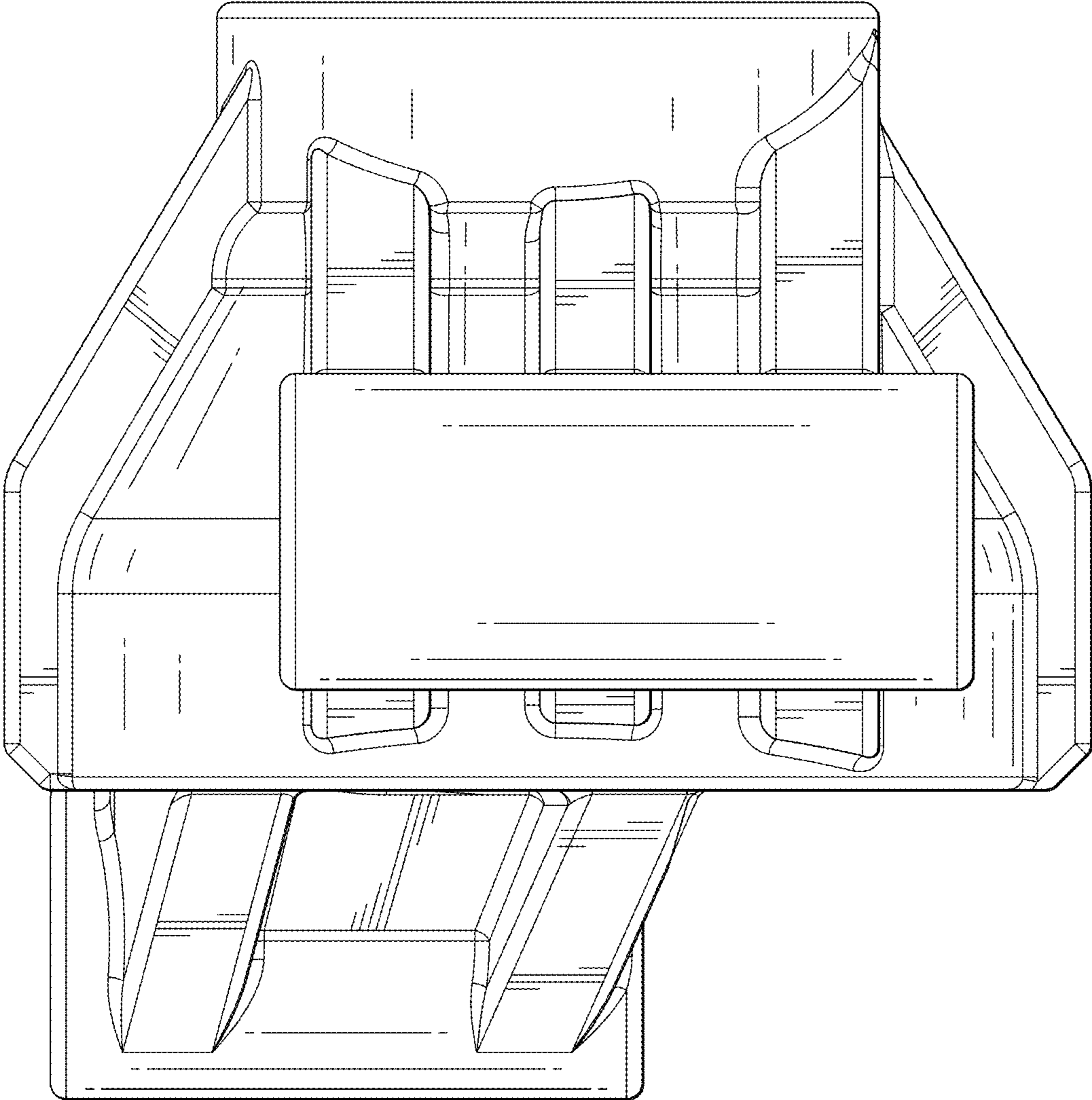


FIG. 7

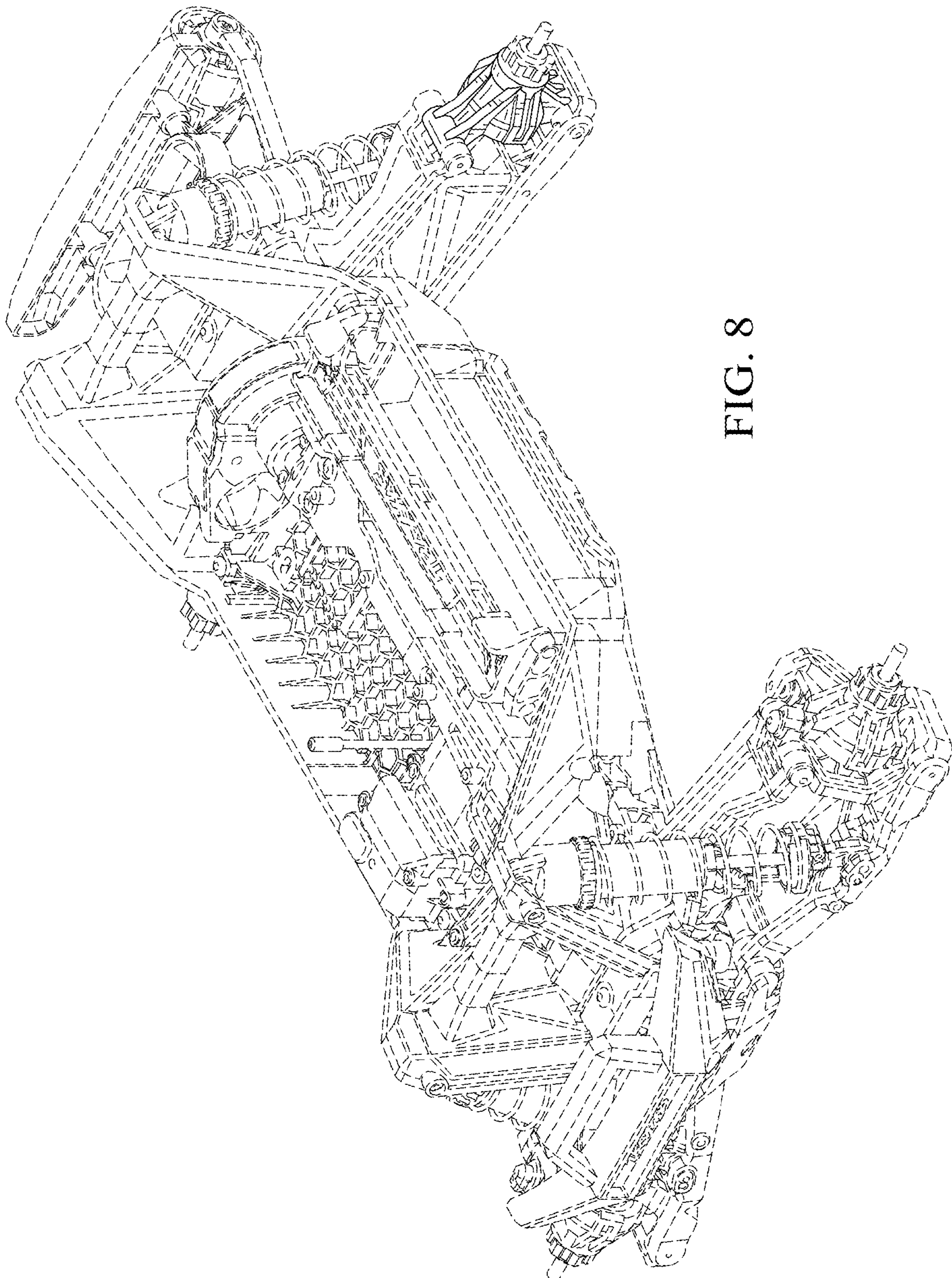


FIG. 8