



US00D904531S

(12) **United States Design Patent** (10) **Patent No.:** **US D904,531 S**  
**Barajas et al.** (45) **Date of Patent:** **\*\* Dec. 8, 2020**

(54) **MODEL VEHICLE BODY**  
(71) Applicant: **TRAXXAS LP**, McKinney, TX (US)  
(72) Inventors: **Jaime Felix Barajas**, Dallas, TX (US);  
**Otto Karl Allmendinger**, Rowlett, TX (US); **Kent Poteet**, Lucas, TX (US)  
(73) Assignee: **TRAXXAS LP**, McKinney, TX (US)  
(\*\*) Term: **15 Years**  
(21) Appl. No.: **29/696,548**  
(22) Filed: **Jun. 28, 2019**  
(51) **LOC (12) Cl.** ..... **21-01**  
(52) **U.S. Cl.**  
USPC ..... **D21/552**; D21/561; D21/562  
(58) **Field of Classification Search**  
USPC ..... D21/424, 433, 434, 483, 495, 522,  
D21/533-562; D12/86-93, 98, 159,  
D12/163-172, 401; 446/431, 448,  
446/454-456, 465-466, 470-471  
CPC ..... B60G 2204/128; B60G 13/003; B62D  
25/00; B62D 35/00; A63H 17/262; A63H  
17/00; A63H 17/395; A63H 17/38; A63H  
17/26; A63H 17/28  
See application file for complete search history.

D288,681 S \* 3/1987 Telnack ..... D12/169  
D293,310 S 12/1987 Clark et al.  
D293,564 S \* 1/1988 Mayhew ..... D12/169  
D307,248 S 4/1990 Dettling  
5,102,367 A 4/1992 Mullaney et al.  
(Continued)

**OTHER PUBLICATIONS**

Monster truck 3d model, Earliest Available Date Sep. 20, 2019  
[Online], [Site Visited Oct. 20, 2020] Available From Internet, URL:  
<<https://www.turbosquid.com/3d-models/monster-truck-3d-model/488288>> (Year: 2019).\*

(Continued)

*Primary Examiner* — Sandra Snapp  
*Assistant Examiner* — Donald B Rose, Jr.  
(74) *Attorney, Agent, or Firm* — Daryl R. Wright; Greg Carr

(57) **CLAIM**

We claim the ornamental design for a model vehicle body, as shown and described.

**DESCRIPTION**

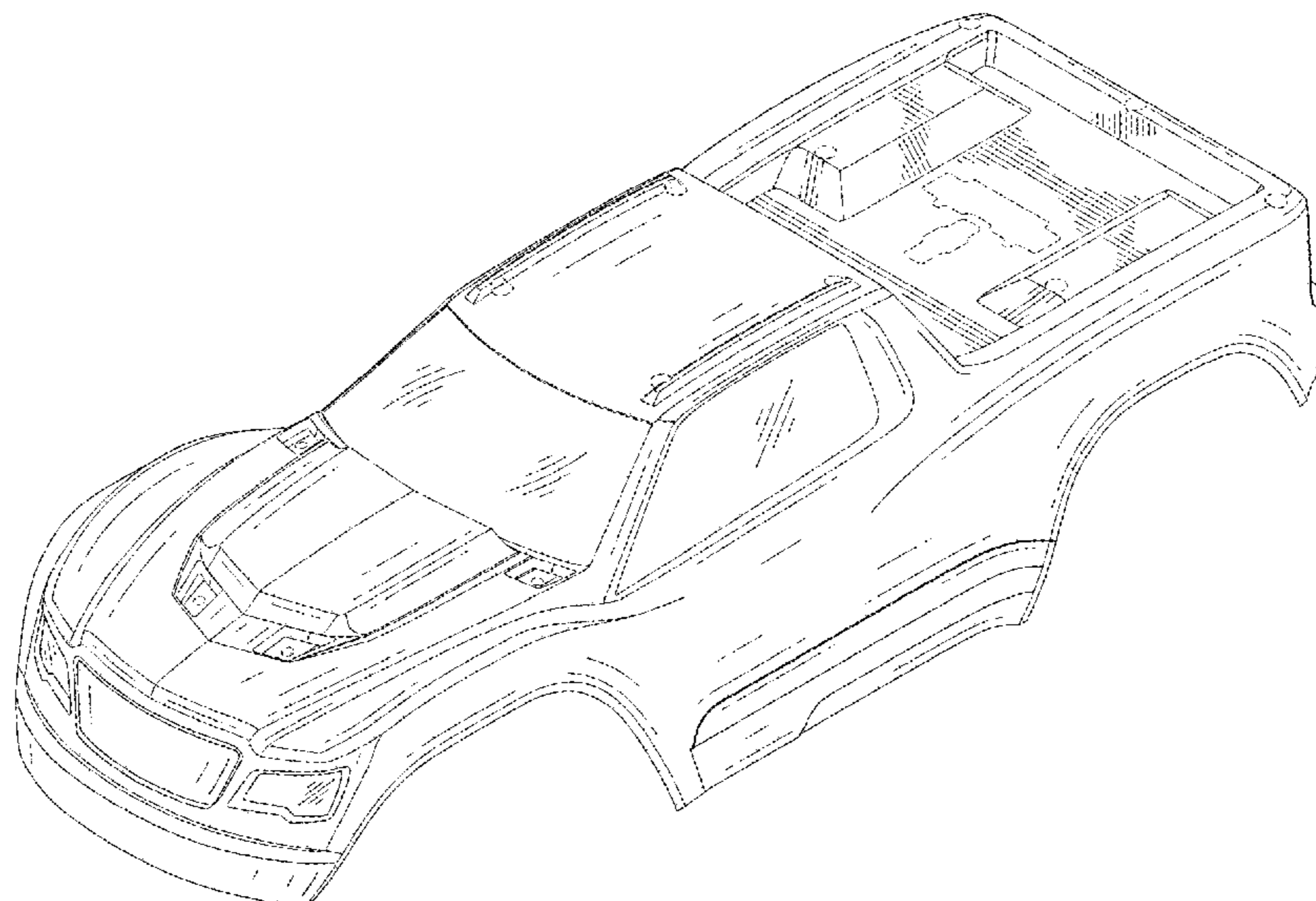
FIG. 1 is an upper, left, front perspective view of a model vehicle body;  
FIG. 2 is front elevation view thereof;  
FIG. 3 is a rear elevation view thereof;  
FIG. 4 is a left side elevation view thereof;  
FIG. 5 is a right side elevation view thereof;  
FIG. 6 is a top plan view thereof;  
FIG. 7 is a bottom plan view thereof; and,  
FIG. 8 is an upper, left, front perspective environmental use view of a model vehicle body.  
In the drawings, the broken lines showing features of the model vehicle body form no part of the claimed design. The broken lines in FIG. 8 depict environmental subject matter that form no part of the claimed design.

**1 Claim, 6 Drawing Sheets**

(56) **References Cited**

**U.S. PATENT DOCUMENTS**

D203,841 S 2/1966 Power  
3,464,153 A \* 9/1969 Small ..... A63H 17/002  
446/471  
3,537,210 A \* 11/1970 Ieda ..... A63H 18/021  
446/446  
D243,595 S 3/1977 Belz  
D251,725 S 5/1979 Cesaro  
D253,406 S 11/1979 Carabetta  
D254,128 S 2/1980 Carabetta  
D277,494 S 2/1985 Lerch  
D281,000 S 10/1985 Kuna et al.



(56)

References Cited

U.S. PATENT DOCUMENTS

5,228,880 A 7/1993 Meyer et al.  
 5,334,078 A 8/1994 Hippely et al.  
 D385,245 S 10/1997 Gallitzendoerfer et al.  
 D404,691 S 1/1999 Gerisch et al.  
 D425,141 S 5/2000 Park  
 D458,188 S 6/2002 Wyszogrod et al.  
 D466,451 S 12/2002 Trostle et al.  
 D496,409 S 9/2004 Tilbor  
 D529,967 S 10/2006 Bowen et al.  
 D538,861 S 3/2007 Takahashi  
 7,217,170 B2 5/2007 Moll  
 D547,249 S 7/2007 Kurtz et al.  
 D550,311 S 9/2007 Chen  
 D566,788 S 4/2008 Pasko  
 D566,789 S \* 4/2008 Idiot ..... D21/552  
 D566,790 S \* 4/2008 Idiot ..... D21/552  
 D567,301 S 4/2008 Idiot  
 7,387,558 B2 6/2008 Swisher et al.  
 D579,823 S 11/2008 Choi  
 D592,256 S 5/2009 Yaguchi  
 D593,163 S 5/2009 Torres et al.  
 D598,811 S \* 8/2009 Honeycutt ..... D12/92  
 D603,295 S \* 11/2009 Honeycutt ..... D12/86  
 D605,083 S 12/2009 Manoogian, II et al.  
 D612,767 S 3/2010 Barkan  
 D617,851 S 6/2010 Stoddard  
 D630,971 S 1/2011 Jung  
 D671,454 S 11/2012 Davidson et al.  
 8,342,904 B2 1/2013 Torres  
 D693,737 S 11/2013 Hammoud et al.  
 D703,101 S \* 4/2014 deNatale ..... D12/86  
 D707,608 S 6/2014 Smith  
 D709,007 S 7/2014 Henry et al.  
 D709,008 S 7/2014 Brzustowicz et al.  
 D709,009 S 7/2014 Brzustowicz et al.  
 D728,037 S \* 4/2015 Barajas ..... D21/548  
 D740,180 S 10/2015 Agnew et al.  
 D740,181 S \* 10/2015 Agnew ..... D12/98  
 D741,416 S 10/2015 Barajas et al.  
 D741,956 S 10/2015 Barajas et al.

D769,378 S 10/2016 Belker et al.  
 D770,339 S 11/2016 Lindsey  
 D770,350 S 11/2016 Lindsey  
 D770,575 S 11/2016 Belker et al.  
 D771,202 S 11/2016 Gan  
 D771,203 S 11/2016 Gan  
 D792,526 S 7/2017 Belker et al.  
 D802,685 S 11/2017 Barajas et al.  
 D826,341 S 8/2018 Poteet et al.  
 D826,342 S 8/2018 Poteet et al.  
 D826,343 S 8/2018 Poteet et al.  
 D827,056 S 8/2018 Poteet et al.  
 D832,368 S \* 10/2018 Barajas ..... D21/561  
 D841,743 S \* 2/2019 Barajas ..... D21/548  
 D842,386 S \* 3/2019 Barajas ..... D21/548  
 D842,387 S 3/2019 Barajas et al.  
 D847,724 S \* 5/2019 Sprowl ..... D12/401  
 D862,610 S \* 10/2019 Barajas ..... D21/548  
 D862,611 S \* 10/2019 Barajas ..... D21/548  
 D865,569 S 11/2019 Jeung et al.  
 D869,570 S \* 12/2019 Barajas ..... D21/548  
 D870,211 S \* 12/2019 Wozniak ..... D21/562  
 D870,824 S \* 12/2019 Barajas ..... D21/562  
 D875,647 S \* 2/2020 Barajas ..... D12/548  
 D876,555 S \* 2/2020 Barajas ..... D21/548  
 D879,212 S \* 3/2020 Barajas ..... D21/562  
 2019/0160386 A1 \* 5/2019 Kwan ..... A63H 17/002

OTHER PUBLICATIONS

Pro-Line Trencher LP 3.8" All Terrain Tires Mounted, Earliest Available Date Oct. 20, 2020 [Online], [Site Visited Oct. 20, 2020] Available From Internet, URL: <[https://www.rccaraction.com/pro-line-trencher-lp-3-8-terrain-tires-mounted/#visitor\\_pref\\_pop](https://www.rccaraction.com/pro-line-trencher-lp-3-8-terrain-tires-mounted/#visitor_pref_pop)> (Year: 2020).\*

Hot Wheels Skull Crusher Diecast Toy Car-Race Vehicle by Mattel-Auto Racing Toys Cars Collection, Feb. 22, 2012, [online], [Retrieved on Aug. 10, 2015] URL: <https://www.youtube.com/watch?v=fR1BWC9bqzM>.

PROTOform; Protoform Ford GT 2017; <http://racepf.com/on-road-1-10-1-12/ford-gt-clear-body/>; Sep. 2016.

\* cited by examiner



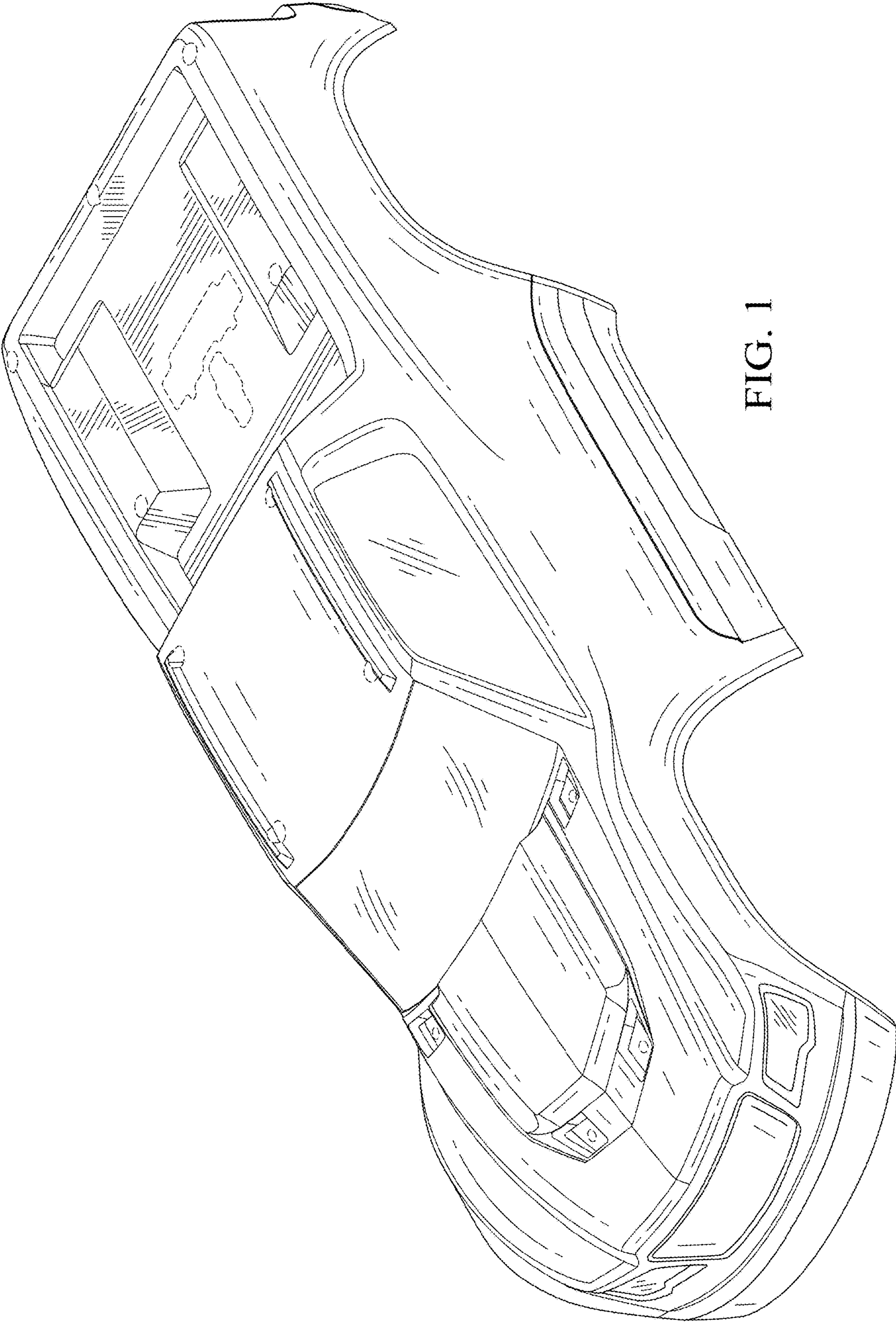


FIG. 1

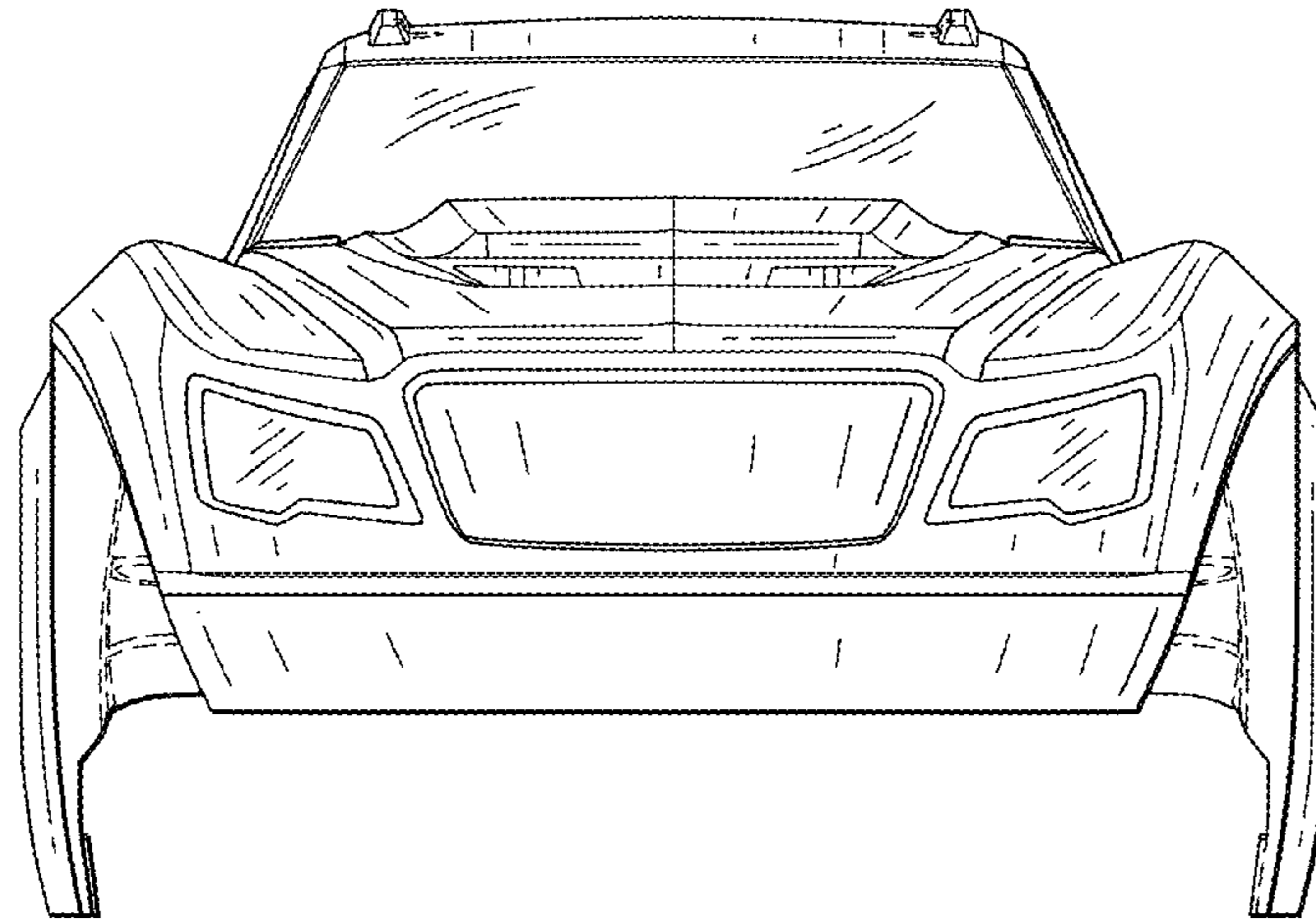


FIG. 2

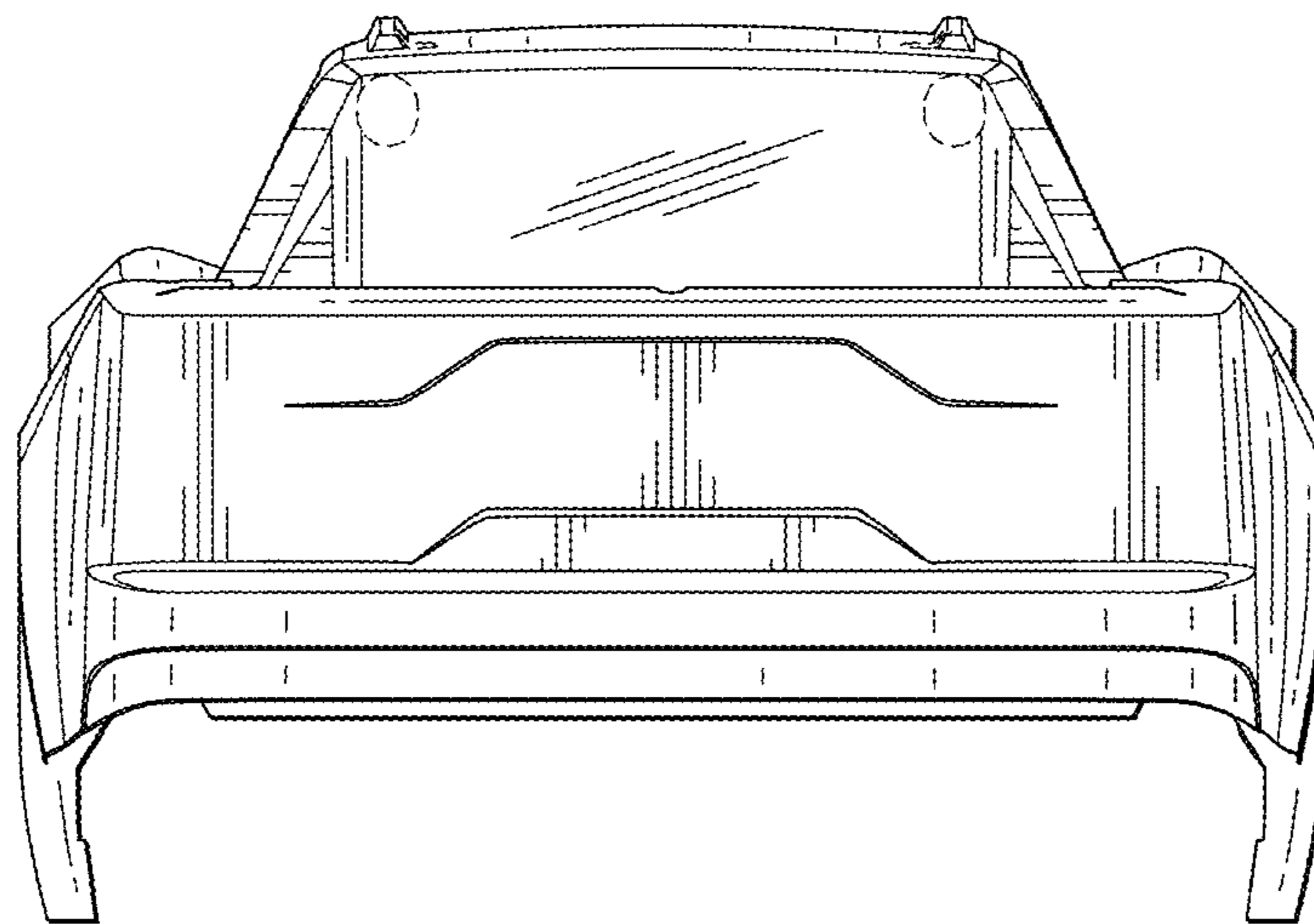


FIG. 3

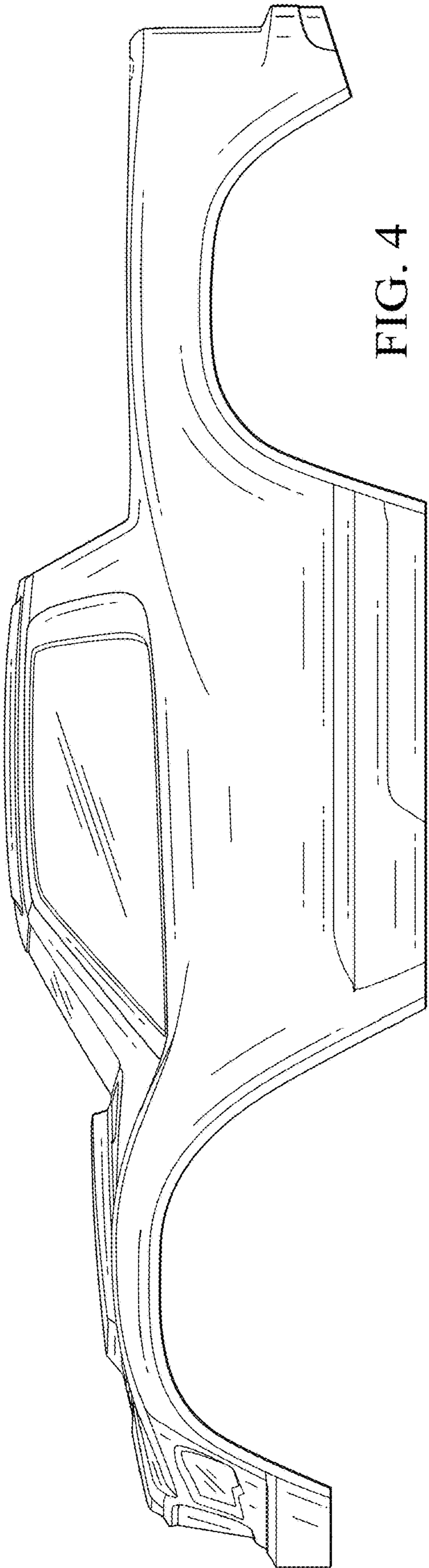


FIG. 4

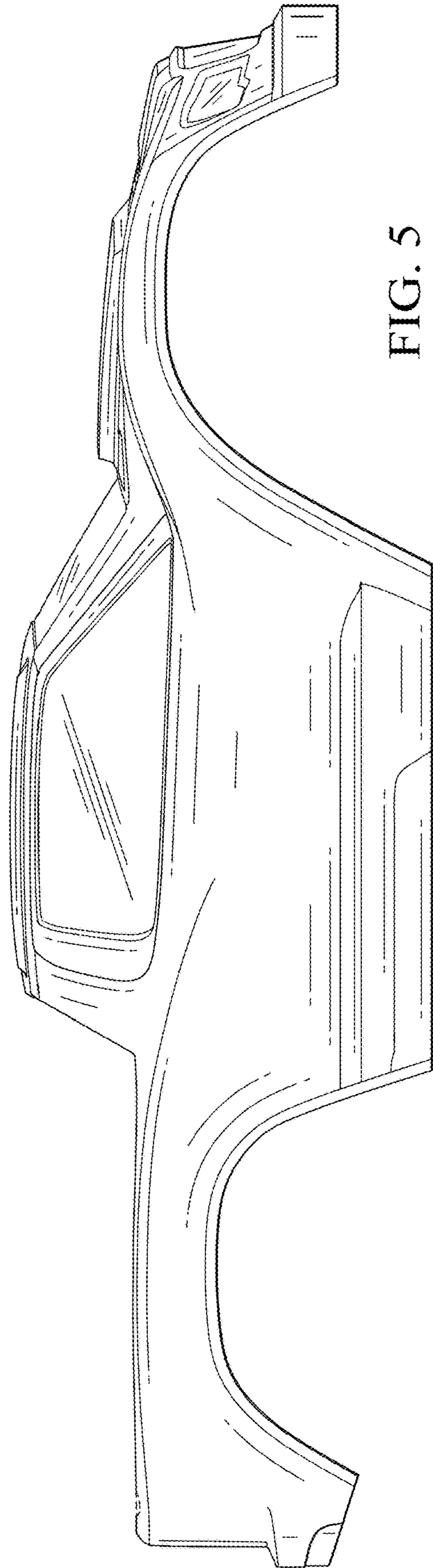


FIG. 5



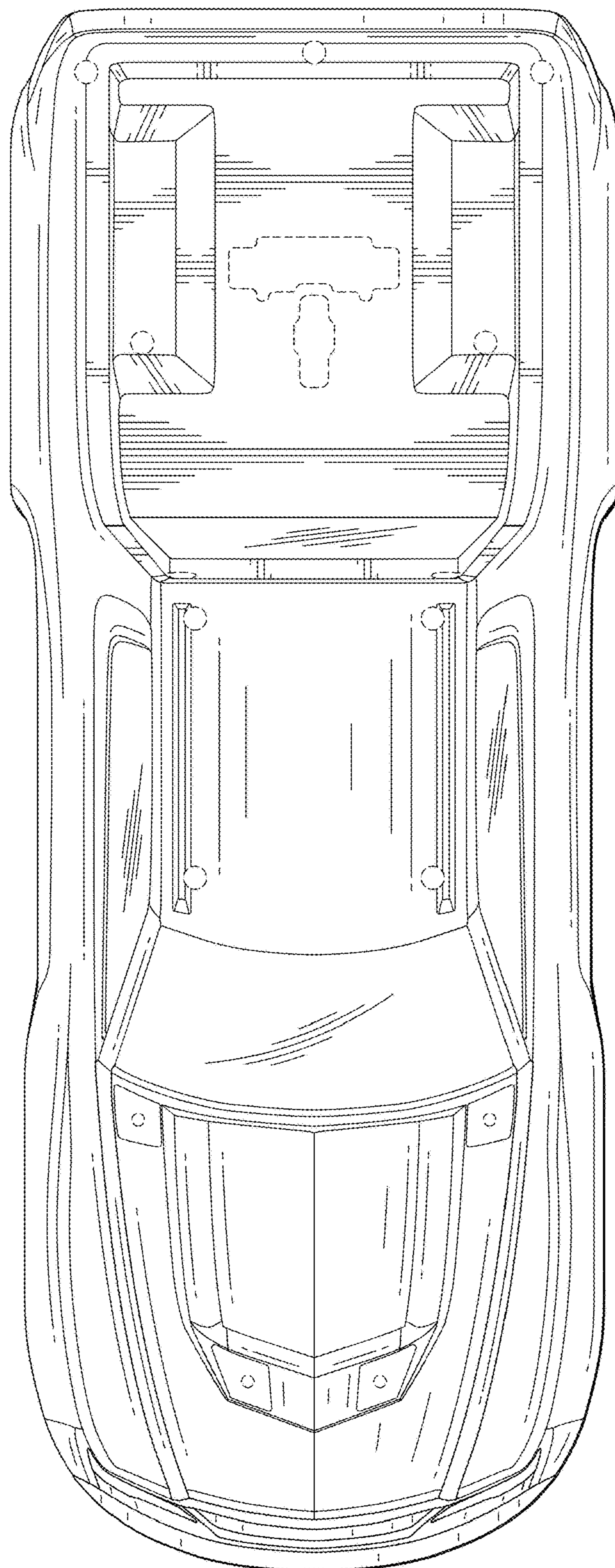


FIG. 6

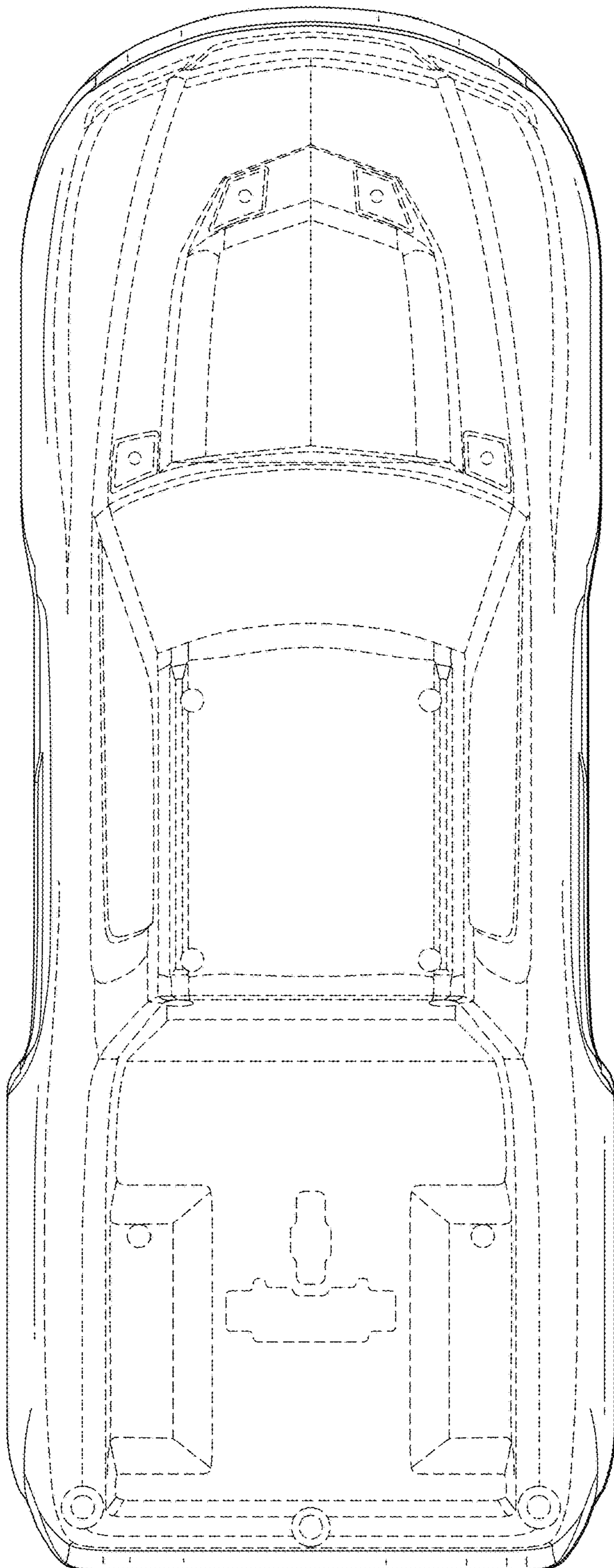


FIG. 7



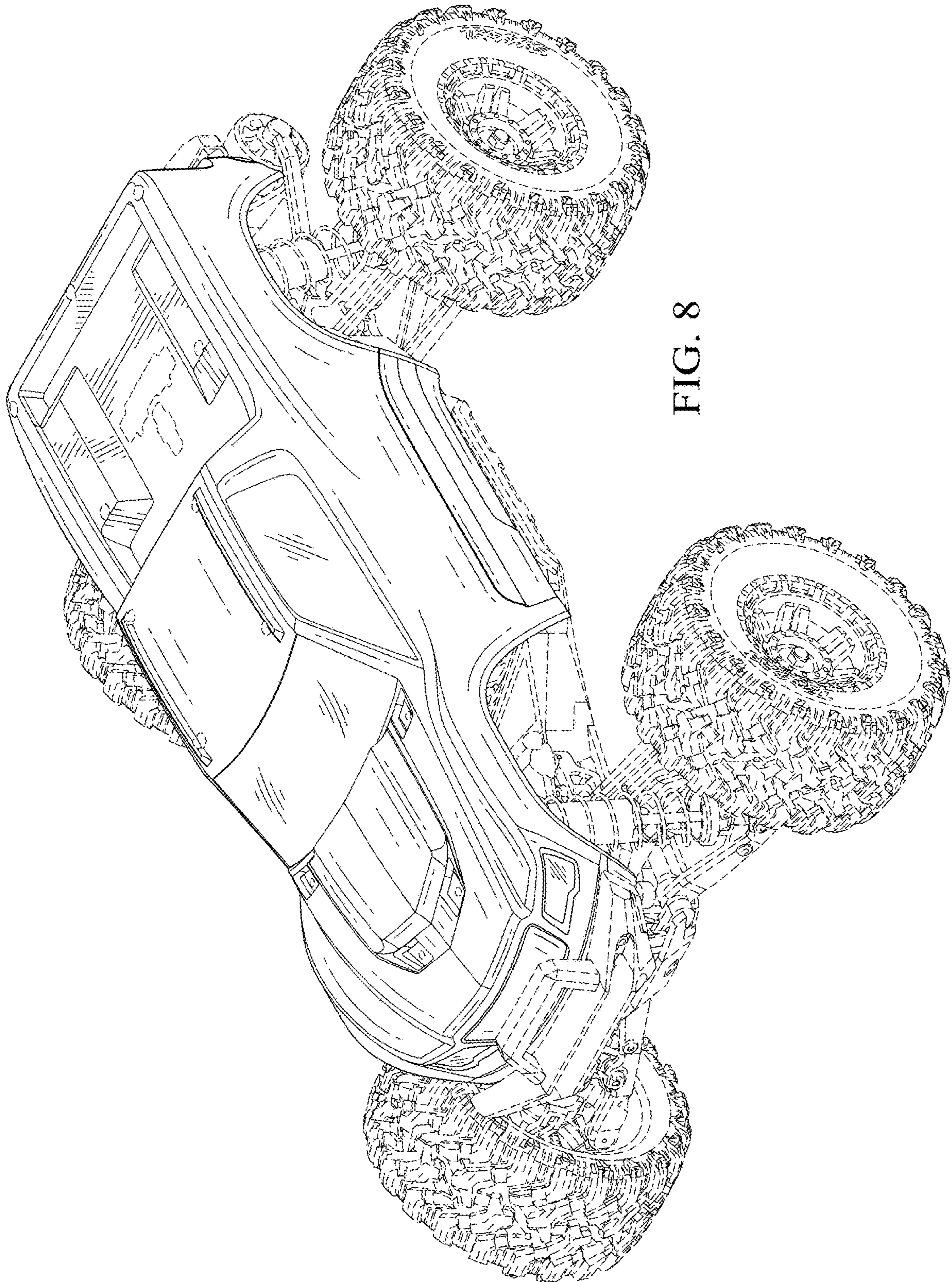


FIG. 8