



US00D904529S

(12) **United States Design Patent** (10) **Patent No.:** **US D904,529 S**
Sun (45) **Date of Patent:** **** Dec. 8, 2020**

(54) **TOY**
(71) Applicant: **SUNTISFY INC**, Irvine, CA (US)
(72) Inventor: **Jacob Jiye Sun**, Irvine, CA (US)
(73) Assignee: **SUNTISFY INC**, Irvine, CA (US)
(**) Term: **15 Years**
(21) Appl. No.: **29/740,704**
(22) Filed: **Jul. 7, 2020**
(51) **LOC (12) Cl.** **21-01**
(52) **U.S. Cl.**
USPC **D21/519**
(58) **Field of Classification Search**
USPC D32/519; D26/40-42, 48-49; D22/123
CPC A63H 33/30; F21V 21/30
See application file for complete search history.

2011/0012518 A1* 1/2011 Tarter F21L 2/00
315/160
2015/0009660 A1* 1/2015 Lee F21V 15/012
362/186
2015/0062883 A1* 3/2015 Shen F21L 4/027
362/183
2015/0078012 A1* 3/2015 Delano F21S 8/02
362/365
2017/0216470 A1* 8/2017 Lu F21V 15/01

FOREIGN PATENT DOCUMENTS

CN 3157785 * 8/2000

OTHER PUBLICATIONS

Coleman Kids Adventure LED Camp Lantern : Target reviews 2015, <https://www.target.com/p/coleman-kids-adventure-led-camp-lantern/-/A-13681182?ref=t...> site visited Oct. 27, 2020.*

* cited by examiner

Primary Examiner — John R Yeh

(56) **References Cited**

U.S. PATENT DOCUMENTS

D393,323 S * 4/1998 Howard D26/41
D409,319 S * 5/1999 Lo D26/41
D422,725 S * 4/2000 Leonard D26/37
D429,354 S * 8/2000 Petterson D26/40
D431,663 S * 10/2000 Kung D26/49
D443,088 S * 5/2001 Skidmore D26/40
D471,601 S 3/2003 Choi
6,544,096 B1 * 4/2003 Pyrcce A63H 33/00
206/541
D474,553 S * 5/2003 Poon D26/40
D485,385 S * 1/2004 Lo D26/40
D524,968 S * 7/2006 Poon D26/40
D589,187 S * 3/2009 Kung D26/41
D616,578 S * 5/2010 Leung D26/41
8,939,601 B1 * 1/2015 Lee F21V 7/0008
362/162
D722,716 S * 2/2015 Pamani D26/41
D842,514 S * 3/2019 Wu D26/41
D847,401 S 4/2019 Alnaes

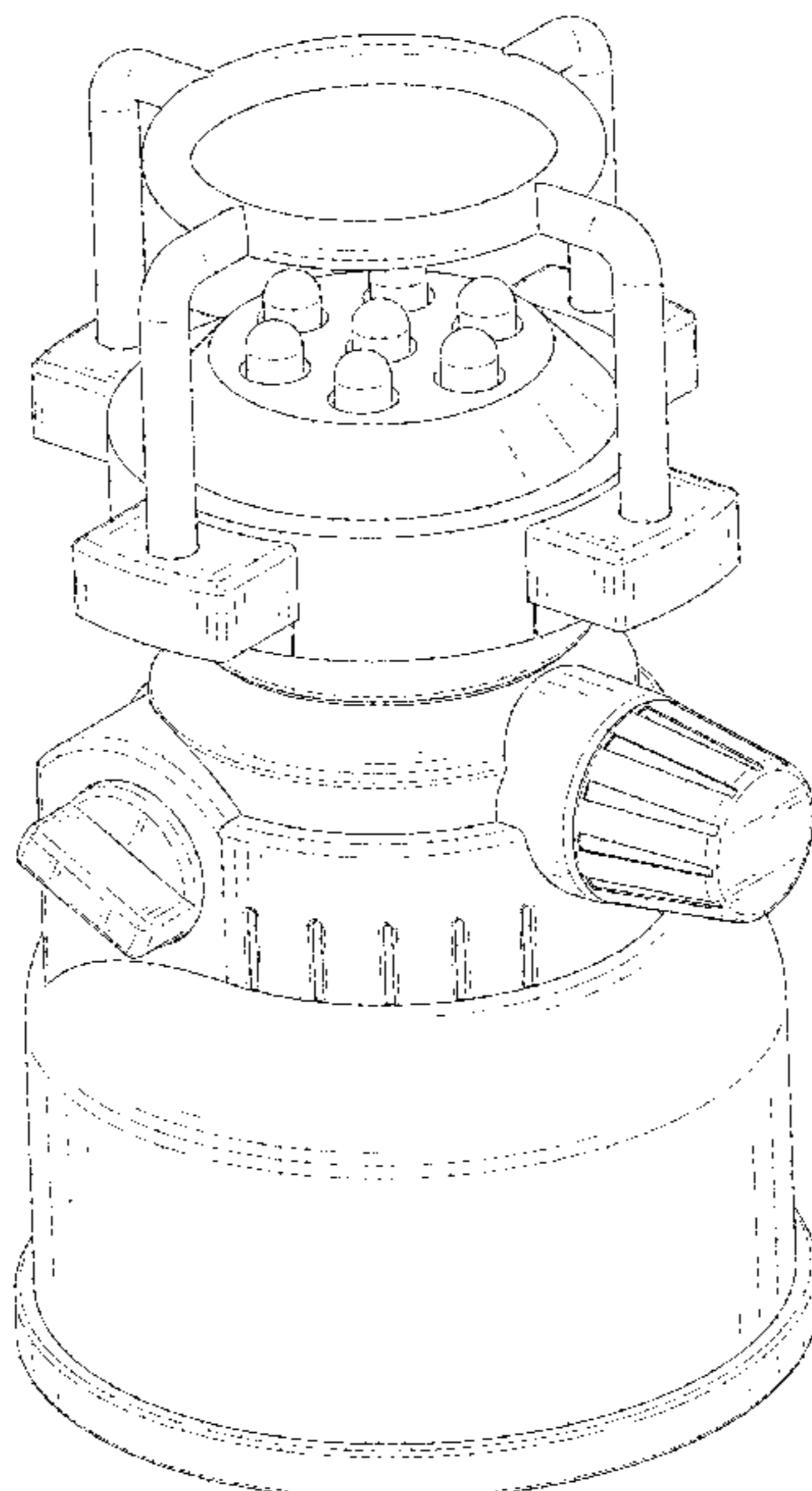
(57) **CLAIM**

The ornamental design for a toy, as shown and described.

DESCRIPTION

FIG. 1 is a perspective view of a toy showing my new design;
FIG. 2 is another perspective view thereof;
FIG. 3 is a front elevational view thereof;
FIG. 4 is a rear elevational view thereof;
FIG. 5 is a left side elevational view thereof;
FIG. 6 is a right side elevational view thereof;
FIG. 7 is a top plan view thereof; and,
FIG. 8 is a bottom plan view thereof.
The broken lines in the drawings depict portions of the toy that form no part of the claimed design.

1 Claim, 8 Drawing Sheets



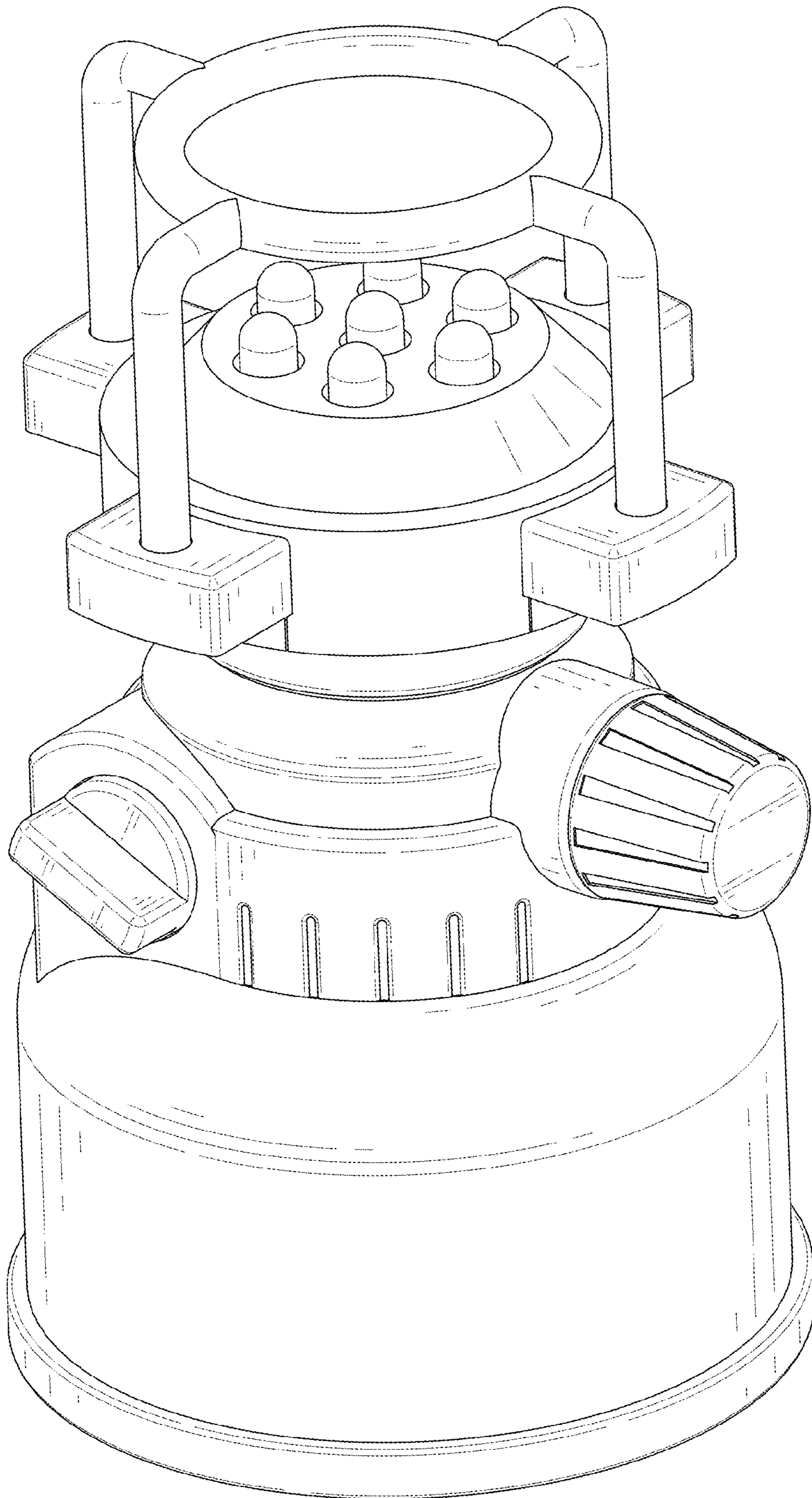


FIG. 1

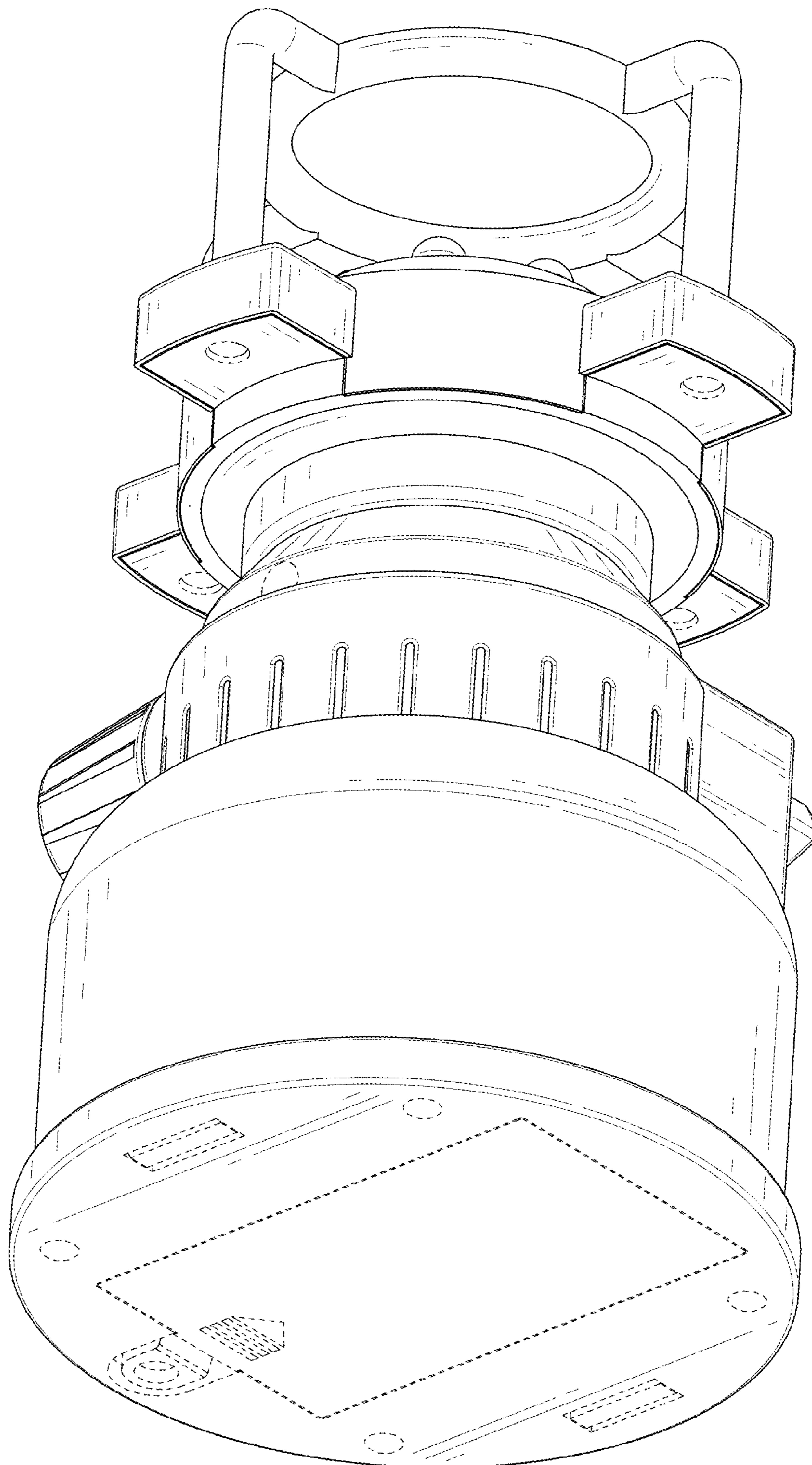


FIG. 2

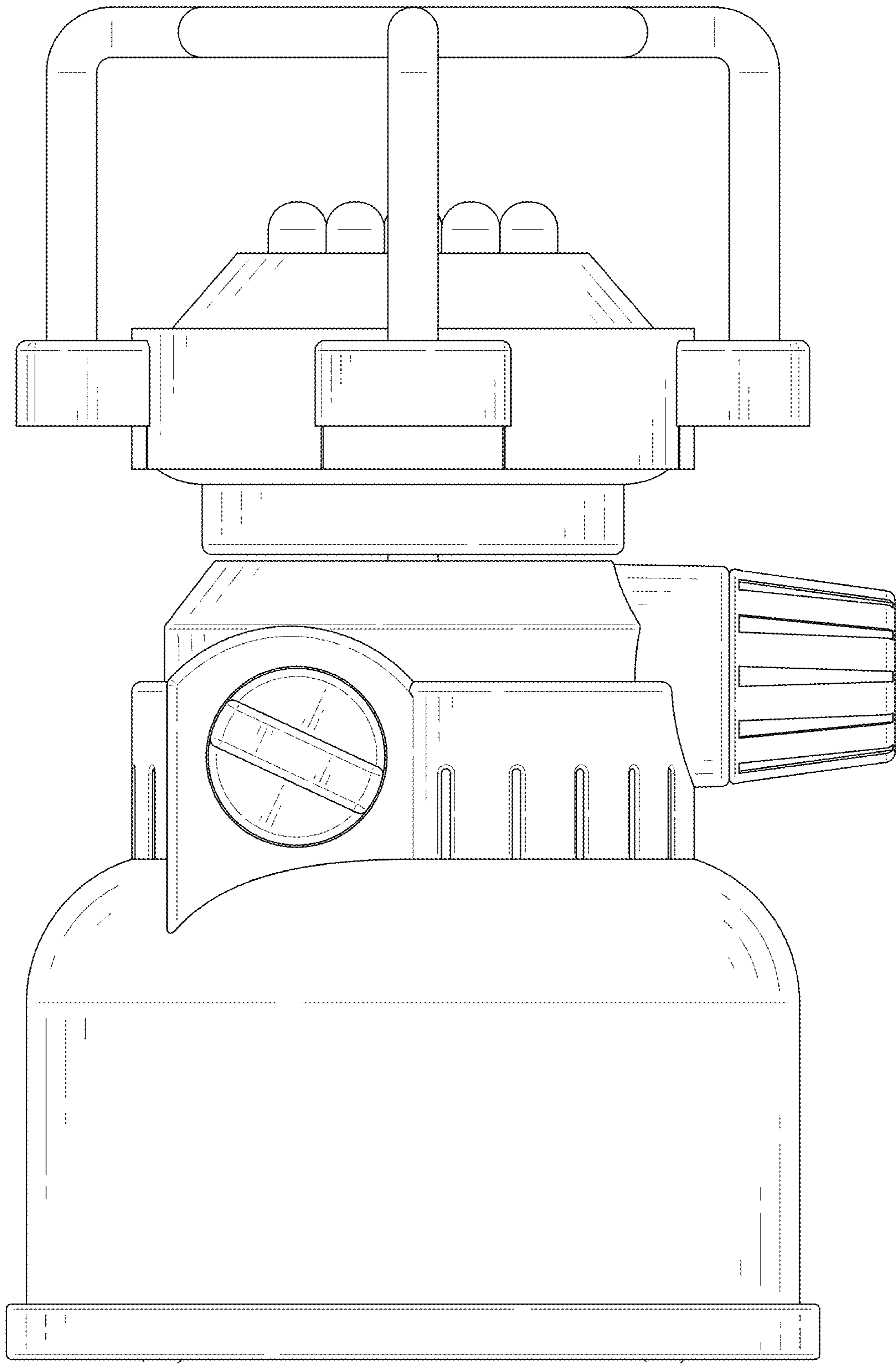


FIG. 3

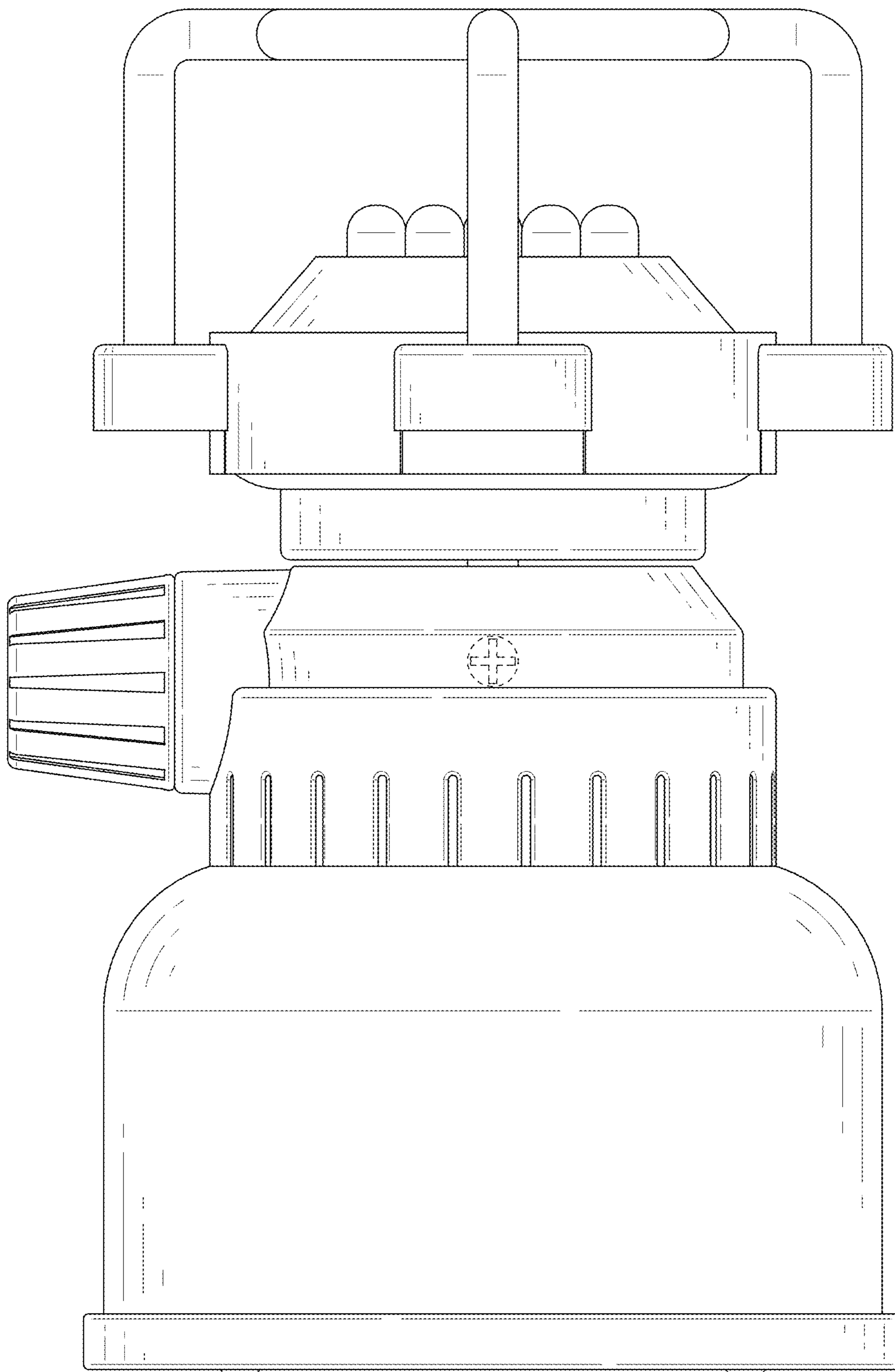


FIG. 4

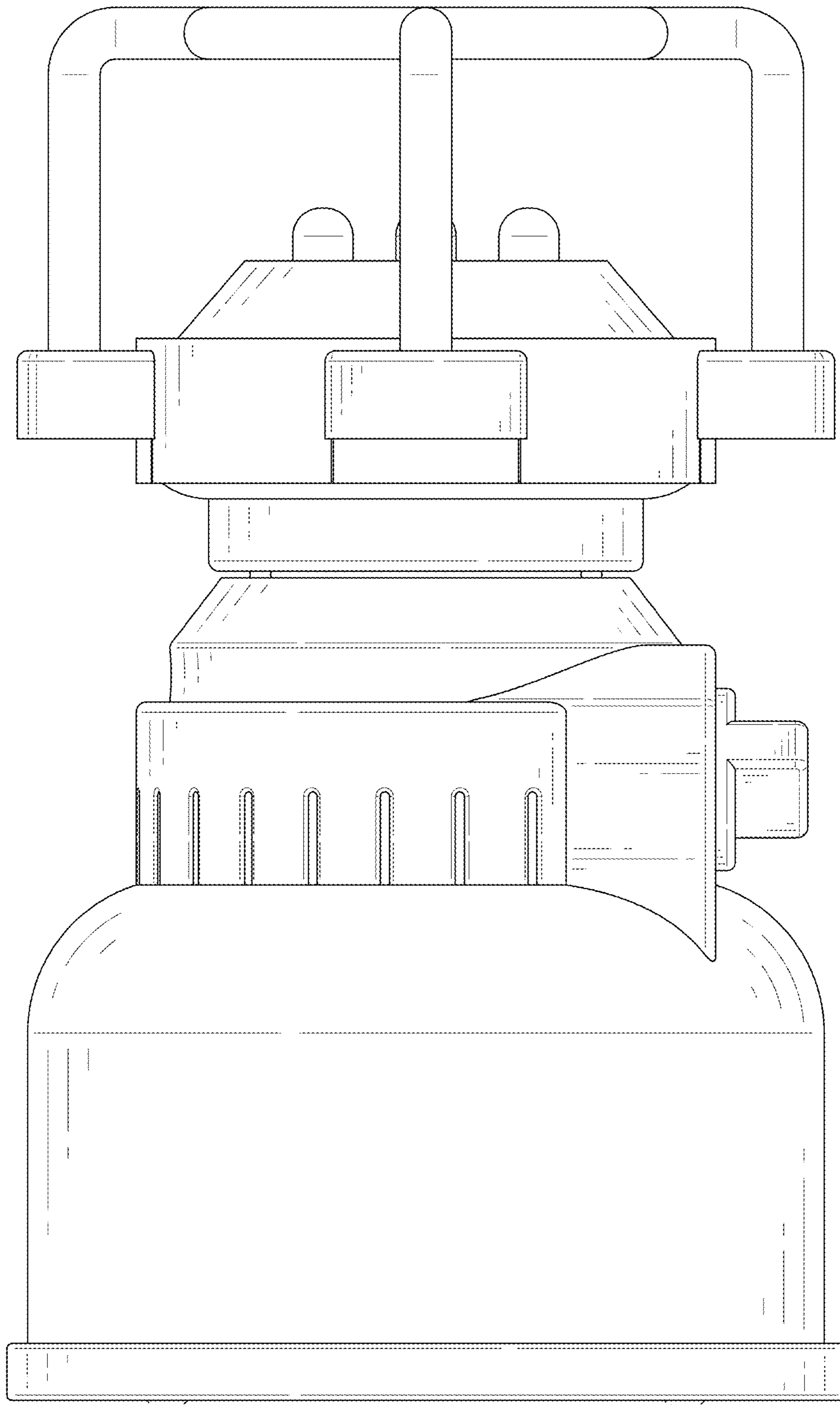


FIG. 5

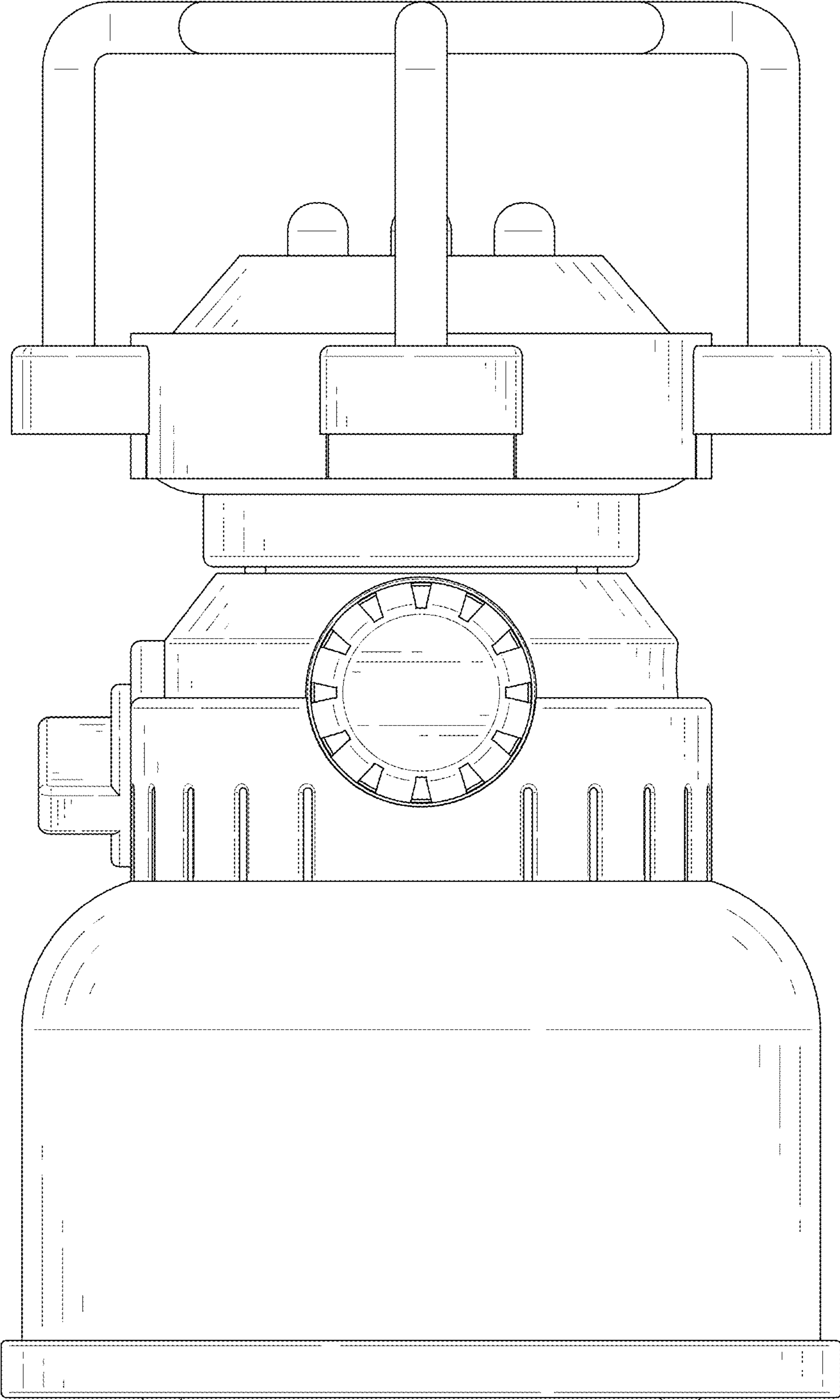


FIG. 6

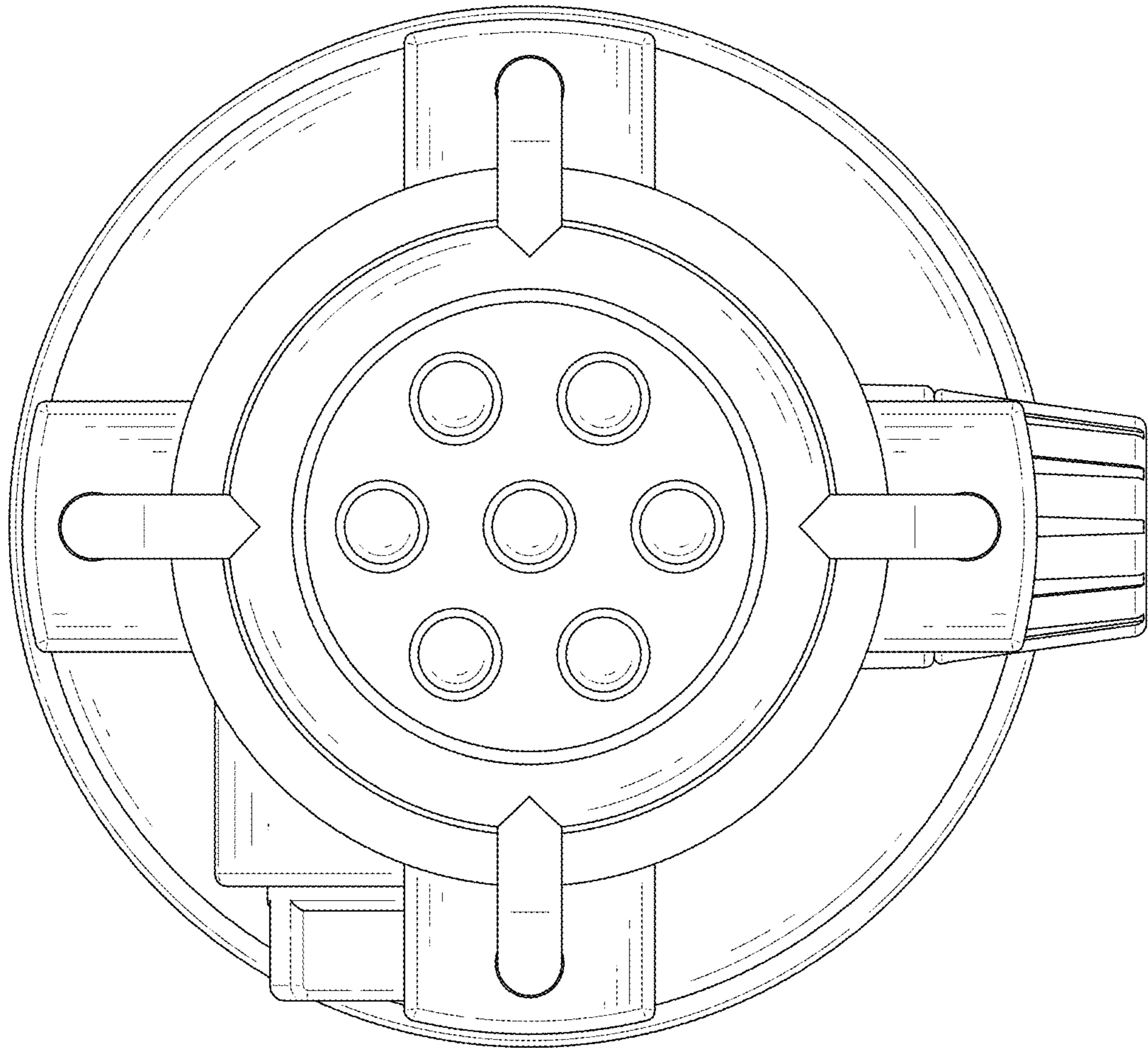


FIG. 7

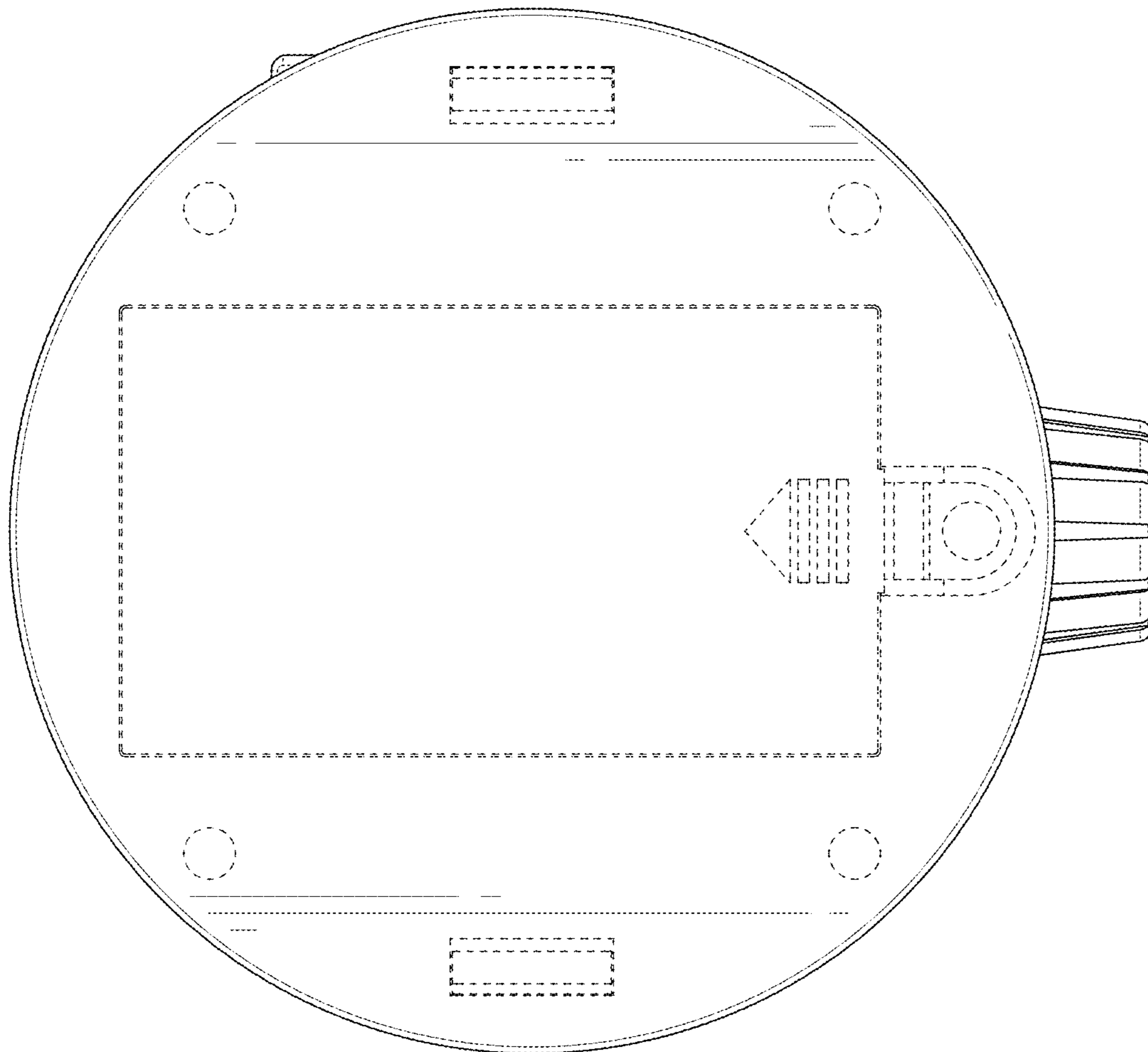


FIG. 8