



US00D904523S

(12) **United States Design Patent** (10) **Patent No.:** **US D904,523 S**
Legras (45) **Date of Patent:** **** Dec. 8, 2020**

(54) **GAMING APPARATUS**

(71) Applicant: **IGT**, Las Vegas, NV (US)
(72) Inventor: **Jean-Pierre Legras**, Carson City, NV (US)
(73) Assignee: **IGT**, Las Vegas, NV (US)
(**) Term: **15 Years**

(21) Appl. No.: **29/665,327**
(22) Filed: **Oct. 2, 2018**
(51) **LOC (12) Cl.** **21-03**
(52) **U.S. Cl.**
USPC **D21/369**

(58) **Field of Classification Search**
USPC D21/369, 370, 371, 385, 329, 325, 394;
D14/307, 172, 129, 325, 401, 371, 126,
D14/439, 432, 450, 128, 375, 248, 374,
D14/341, 138 G, 127; 463/28, 13, 11,
463/16, 20, 25, 31, 46, 23, 30, 17, 36, 29,
463/42, 34, 32, 35, 19, 21, 22; 273/292,
273/203, 138.2, 143 R, 142 R, 138.1;
D19/60; D16/226; D8/335, 331, 334;
D26/141; D7/641
CPC .. G07F 17/3211; G07F 17/32; G07F 17/3213;
G07F 17/34; G07F 17/3267; G07F
17/3202; G07F 17/3262; G07F 17/3286;
G07F 17/3272; G07F 17/3216; G07F
(Continued)

(56) **References Cited**
U.S. PATENT DOCUMENTS
1,445,891 A * 2/1923 Johnson A63F 5/043
273/141 R
1,578,412 A * 3/1926 Ewig A63F 1/04
273/142 E

(Continued)

OTHER PUBLICATIONS

Picture of gaming system with dome, available prior to Oct. 2, 2018 (1 page).

(Continued)

Primary Examiner — Ryan Harvey
(74) *Attorney, Agent, or Firm* — Neal, Gerber & Eisenberg LLP

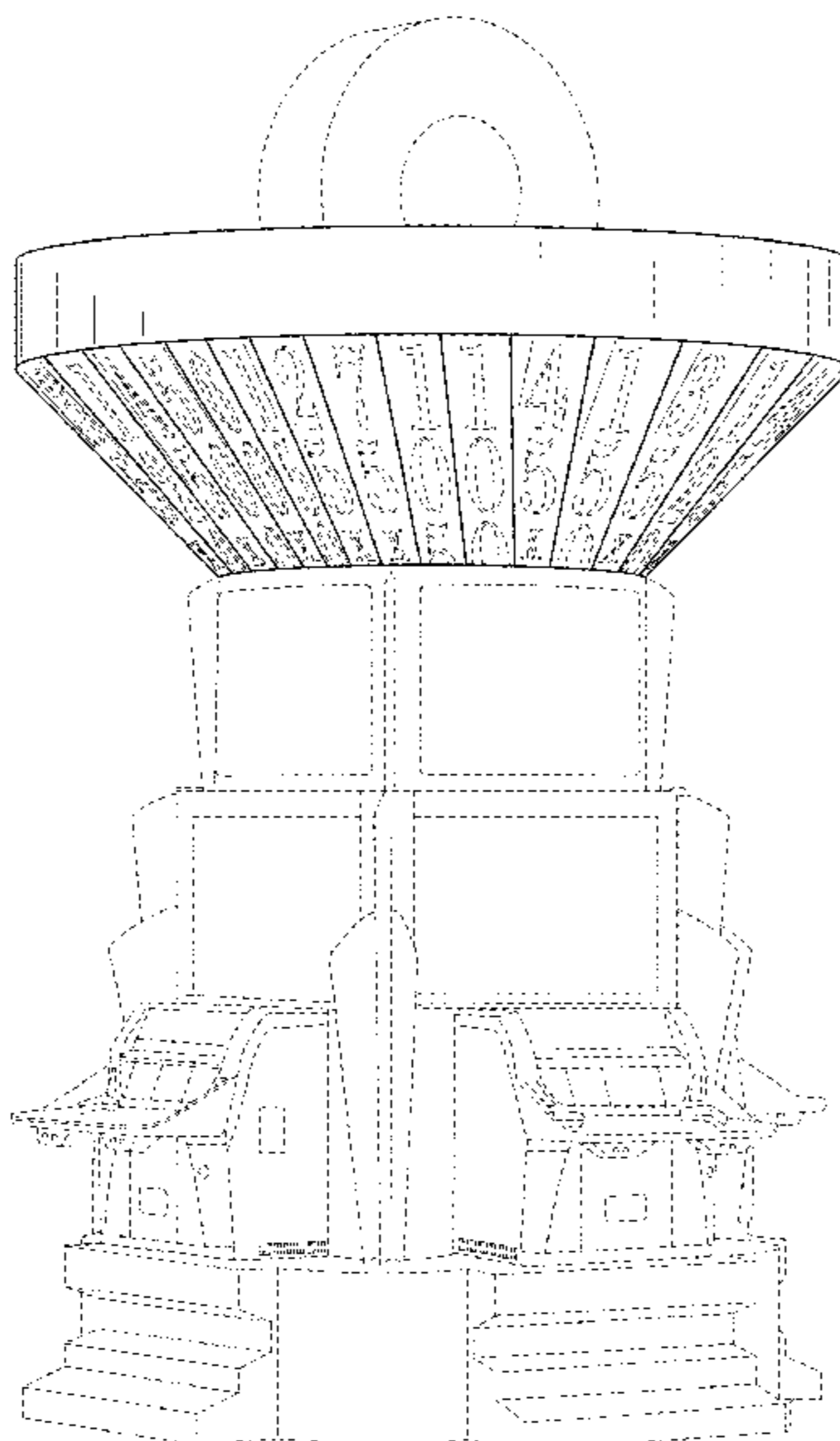
(57) **CLAIM**

The ornamental design for a gaming apparatus, as shown and described herein.

DESCRIPTION

FIG. 1 is a front perspective view of a gaming apparatus of one embodiment of my new design.
FIG. 2 is a front view of the gaming apparatus of FIG. 1.
FIG. 3 is a rear view of the gaming apparatus of FIG. 1.
FIG. 4 is a right side view of the gaming apparatus of FIG. 1.
FIG. 5 is a left side view of the gaming apparatus of FIG. 1.
FIG. 6 is a top view of the gaming apparatus of FIG. 1.
FIG. 7 is a bottom view of the gaming apparatus of FIG. 1.
FIG. 8 is a front perspective view of a gaming apparatus of another embodiment my new design.
FIG. 9 is a front view of the gaming apparatus of FIG. 8.
FIG. 10 is a rear view of the gaming apparatus of FIG. 8.
FIG. 11 is a right side view of the gaming apparatus of FIG. 8.
FIG. 12 is a left side view of the gaming apparatus of FIG. 8.
FIG. 13 is a top view of the gaming apparatus of FIG. 8; and, FIG. 14 is a bottom view of the gaming apparatus of FIG. 8.
The portions shown in phantom are not part of the claimed design.

1 Claim, 14 Drawing Sheets



(58) **Field of Classification Search**
 CPC 17/322; A63F 9/0406; A63F 5/045; A63F
 3/00157; A63F 5/02
 See application file for complete search history.

(56) **References Cited**

U.S. PATENT DOCUMENTS

1,670,692 A * 5/1928 Rosar A63F 5/00
 273/142 F
 2,036,718 A * 4/1936 Potter A63F 1/04
 273/142 R
 2,077,124 A * 4/1937 Miller A63F 5/043
 273/142 HA
 D163,281 S * 5/1951 Hauptenthal D21/375
 2,721,082 A * 10/1955 Hunold A63F 5/02
 273/142 F
 D251,395 S * 3/1979 Kula D21/327
 D270,362 S * 8/1983 de Gregorio D21/375
 D369,850 S * 5/1996 Cammack D23/209
 D376,825 S * 12/1996 Hanscom D21/324
 5,743,523 A * 4/1998 Kelly A63F 7/0058
 273/118 A
 5,755,619 A * 5/1998 Matsumoto A63F 3/062
 273/269
 D397,161 S * 8/1998 Hanscom D21/369
 D400,235 S * 10/1998 Jukes D21/329
 5,879,235 A * 3/1999 Kaneko A63F 5/0005
 273/142 R
 5,947,472 A * 9/1999 Tang A63F 3/00157
 273/142 R
 6,082,734 A 7/2000 Uehara et al.
 6,224,483 B1 * 5/2001 Mayeroff G07F 17/32
 463/16
 D460,120 S * 7/2002 Lynch D21/325
 D486,869 S * 2/2004 Webb D21/370
 D520,071 S * 5/2006 Seelig D21/370
 D520,072 S * 5/2006 Seelig D21/370
 D523,908 S * 6/2006 Hedrick D11/163
 D524,380 S * 7/2006 Seelig D21/370
 D529,965 S * 10/2006 Hedrick D21/370
 7,311,604 B2 12/2007 Kaminkow et al.
 D572,770 S * 7/2008 Seelig D21/370
 7,461,842 B2 * 12/2008 Wu A63F 5/045
 273/138.1
 D590,025 S * 4/2009 Fiore D21/370
 D591,360 S * 4/2009 Fiore D21/370
 7,862,422 B2 * 1/2011 Garamendi G07F 17/34
 463/20
 7,942,417 B2 * 5/2011 Smith G07F 17/34
 273/138.2
 8,100,754 B2 * 1/2012 Bigelow, Jr. G07F 17/34
 463/16

8,216,046 B2 * 7/2012 Ikeya G07F 17/32
 463/16
 8,246,445 B2 * 8/2012 Rodgers G07F 17/32
 463/16
 8,328,632 B2 * 12/2012 Cannon G07F 17/42
 463/17
 8,419,526 B1 * 4/2013 Cannon G07F 17/32
 463/25
 D690,773 S * 10/2013 Miller D21/370
 D696,355 S * 12/2013 MacDonald D21/375
 8,808,094 B2 * 8/2014 DeSimone G07F 17/3216
 463/30
 D714,392 S * 9/2014 Arabian D21/369
 8,956,216 B1 * 2/2015 LeSourd G07F 17/3213
 463/20
 D729,321 S * 5/2015 Arabian D21/369
 D793,498 S * 8/2017 Manus D21/699
 9,728,031 B2 * 8/2017 Schultz G07F 17/3272
 9,849,367 B2 * 12/2017 Jones A63F 1/12
 9,999,830 B2 * 6/2018 Fisher A63F 5/02
 D843,469 S * 3/2019 Nettenstrom D21/369
 D847,299 S * 4/2019 Thompson D23/200
 D876,186 S * 2/2020 Marantis D7/700
 D880,605 S * 4/2020 Bussey D21/369
 2003/0027628 A1 * 2/2003 Luciano G07F 17/32
 463/20
 2003/0148804 A1 8/2003 Ikeya et al.
 2003/0153385 A1 * 8/2003 Ikeya G07F 17/34
 463/31
 2004/0048645 A1 * 3/2004 Webb G07F 17/3202
 463/16
 2005/0192090 A1 * 9/2005 Muir G07F 17/3211
 463/30
 2006/0046821 A1 * 3/2006 Kaminkow G07F 17/326
 463/16
 2008/0146331 A1 * 6/2008 Nordman G07F 17/32
 463/31
 2008/0227530 A1 * 9/2008 LeMay G07F 17/3211
 463/22
 2012/0115563 A1 * 5/2012 Kido G07F 17/3262
 463/17
 2012/0122545 A1 * 5/2012 Watkins G07F 17/3211
 463/20

OTHER PUBLICATIONS

Picture of A.C. Coin Super Bankroll Bonus multi-sided gaming system, available prior to Oct. 2, 2018 (1 page).
 Scientific Games—“Bally Pro Wave 360^o™” Article, Casino Enterprise Management, May 2015, vol. 13, Issue 5, p. 36 (1 page).

* cited by examiner

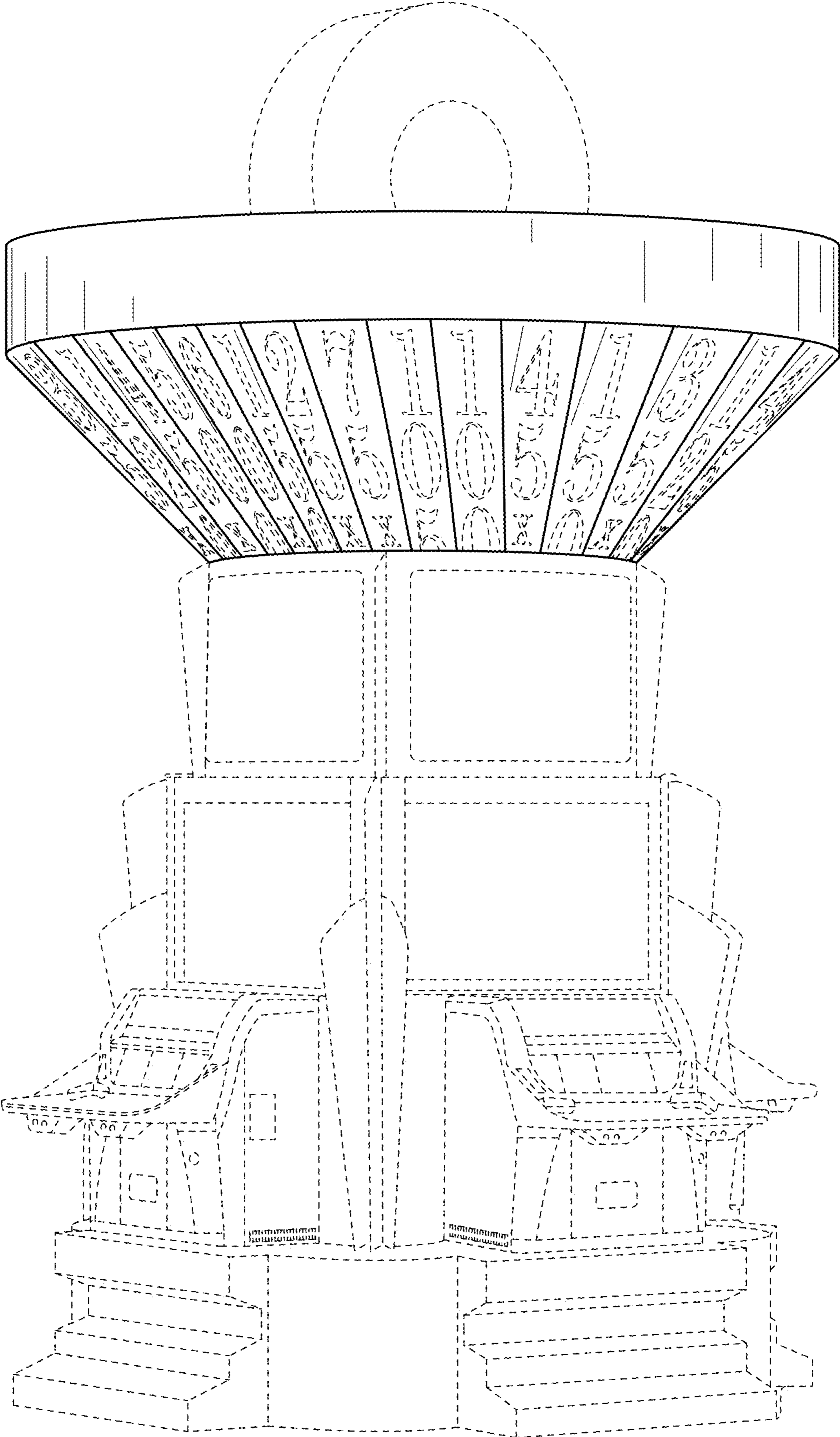


FIG. 1

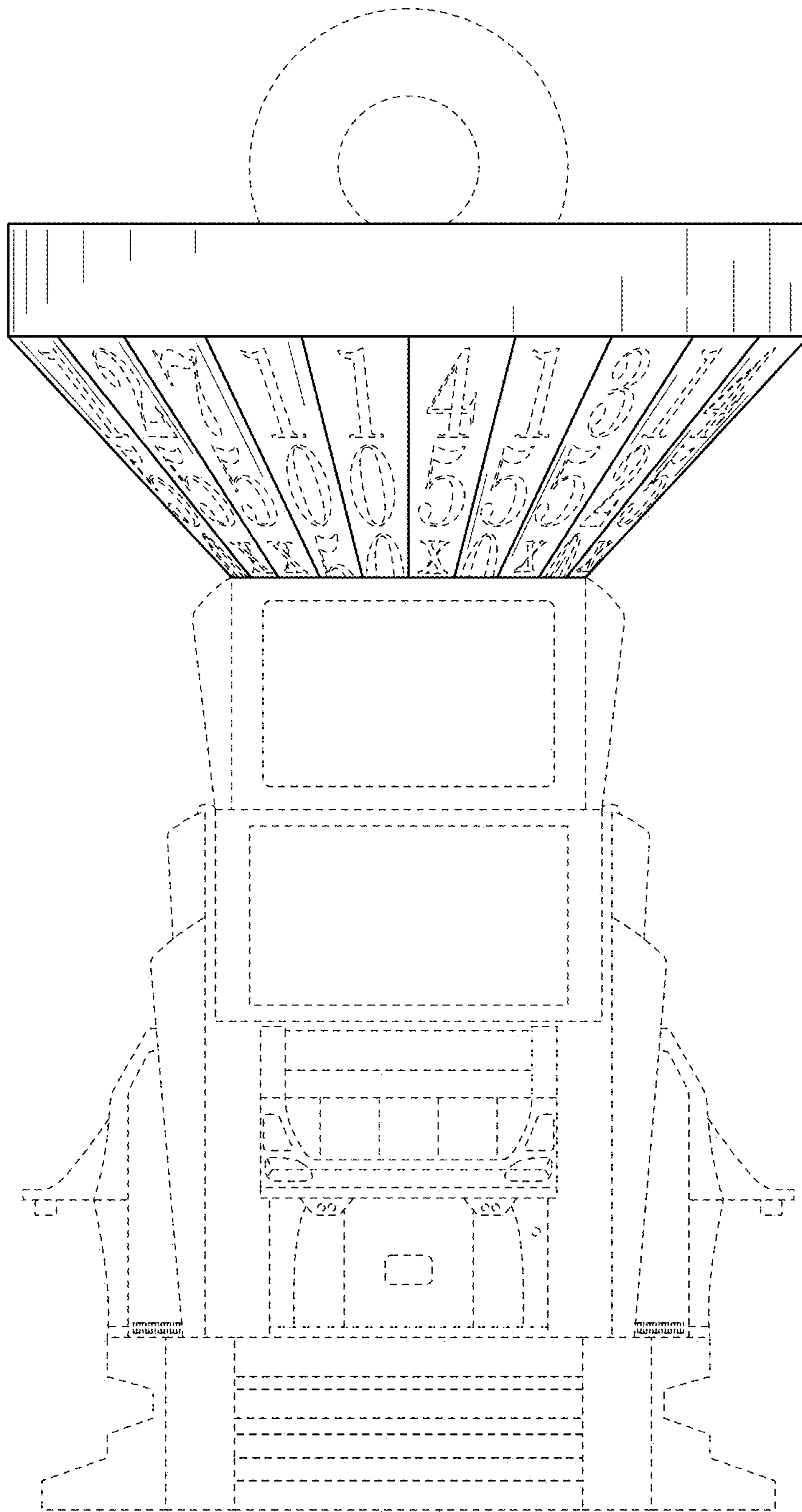


FIG. 2

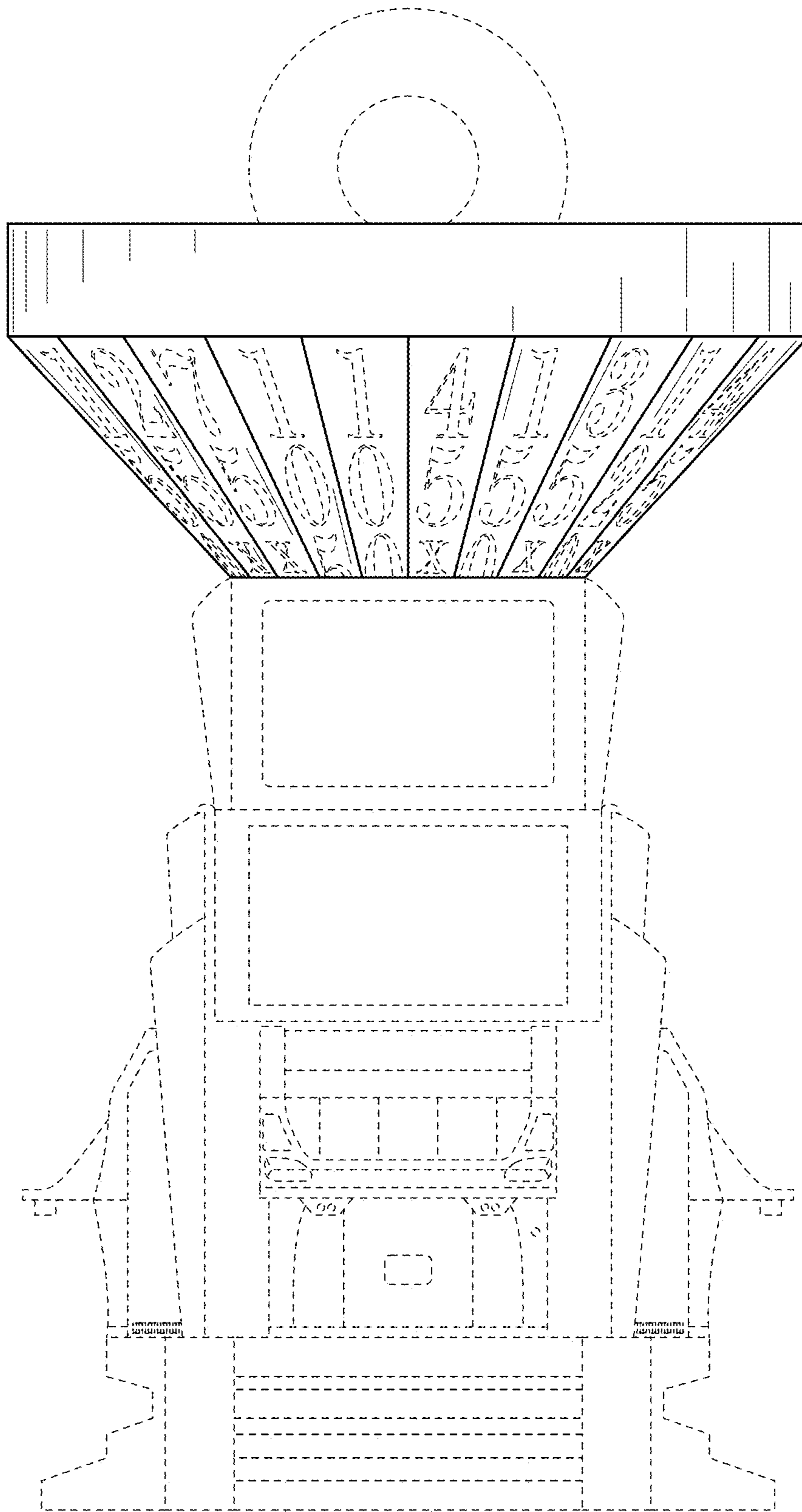


FIG. 3

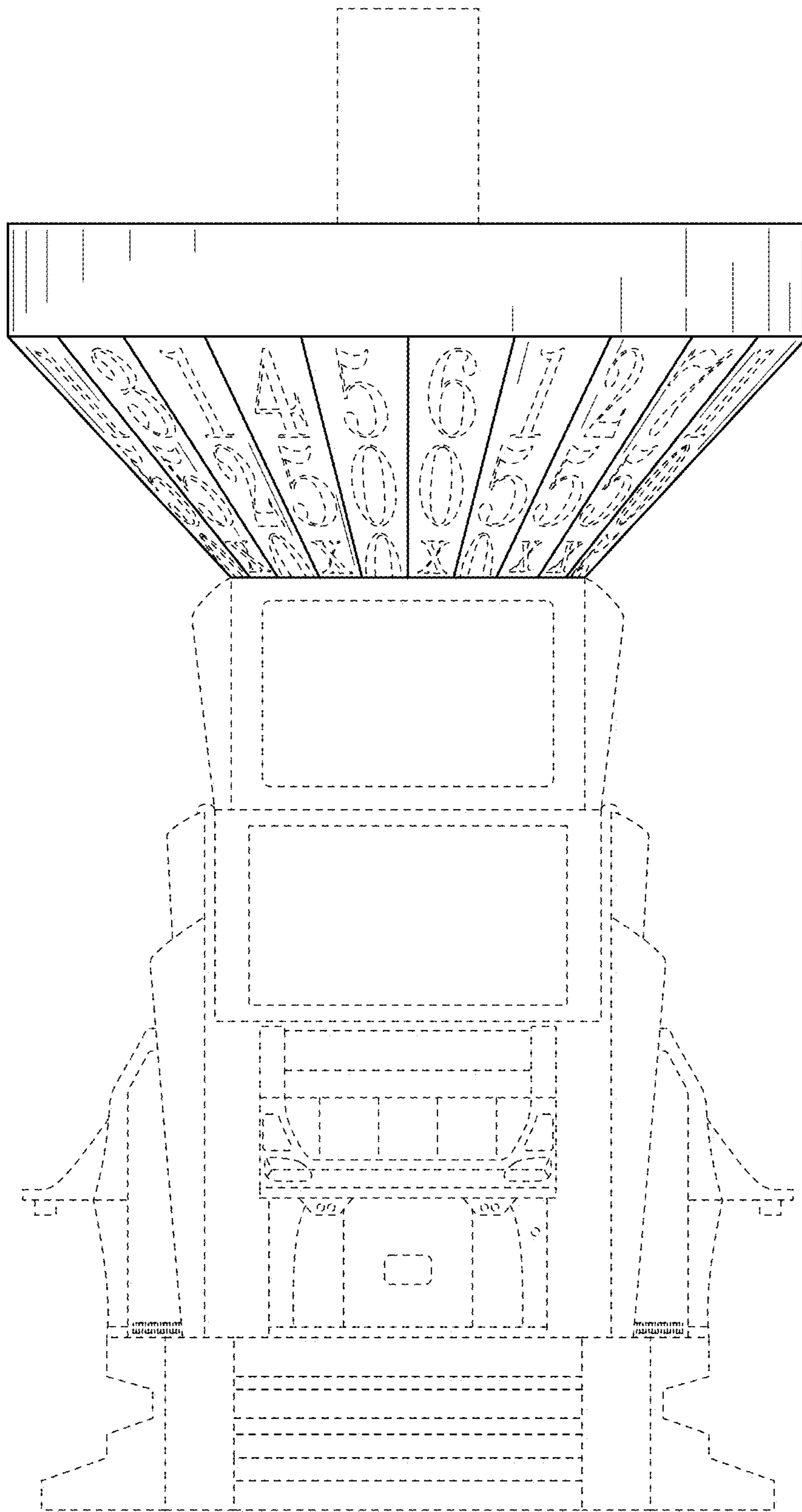


FIG. 4

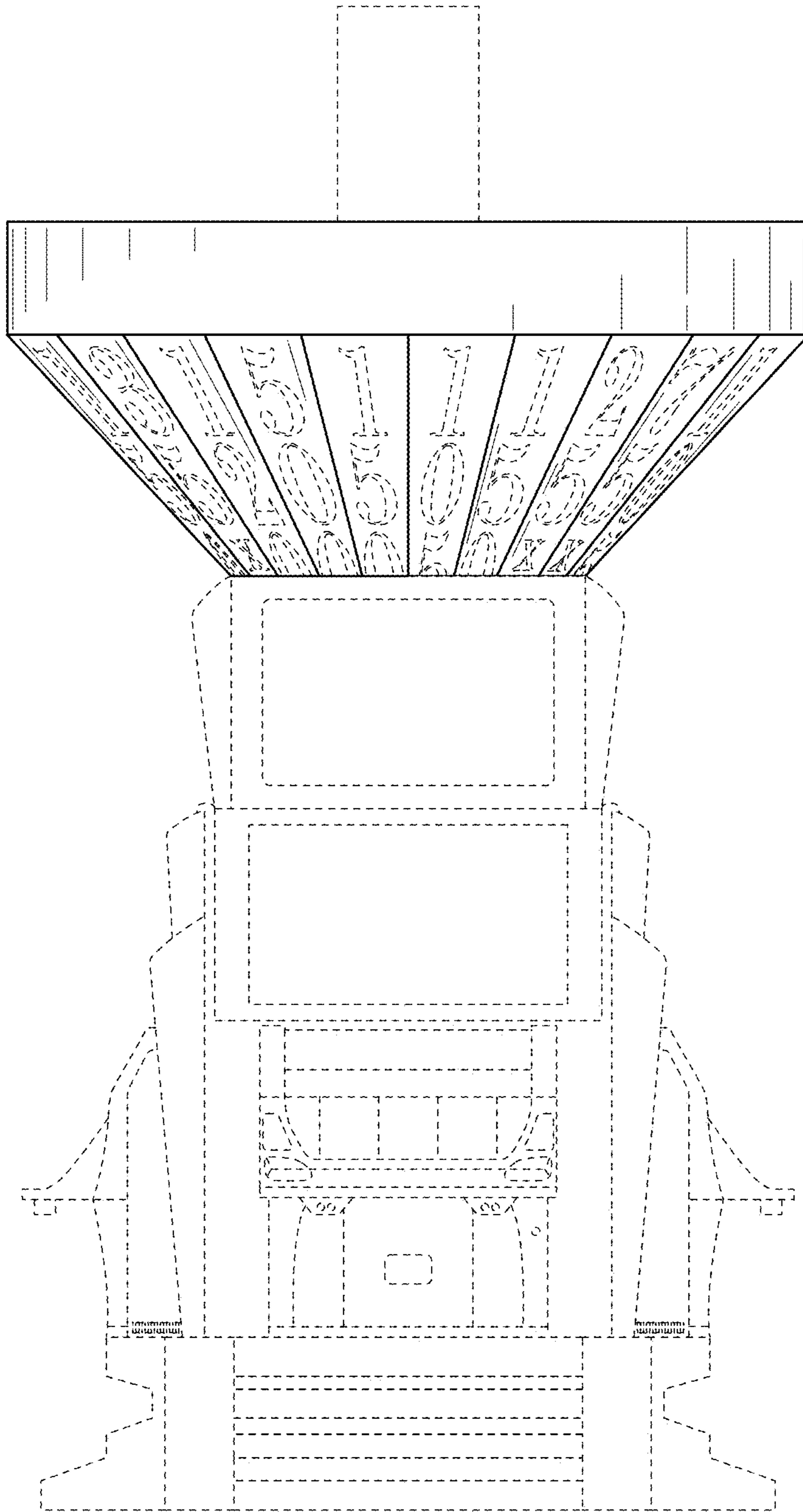


FIG. 5

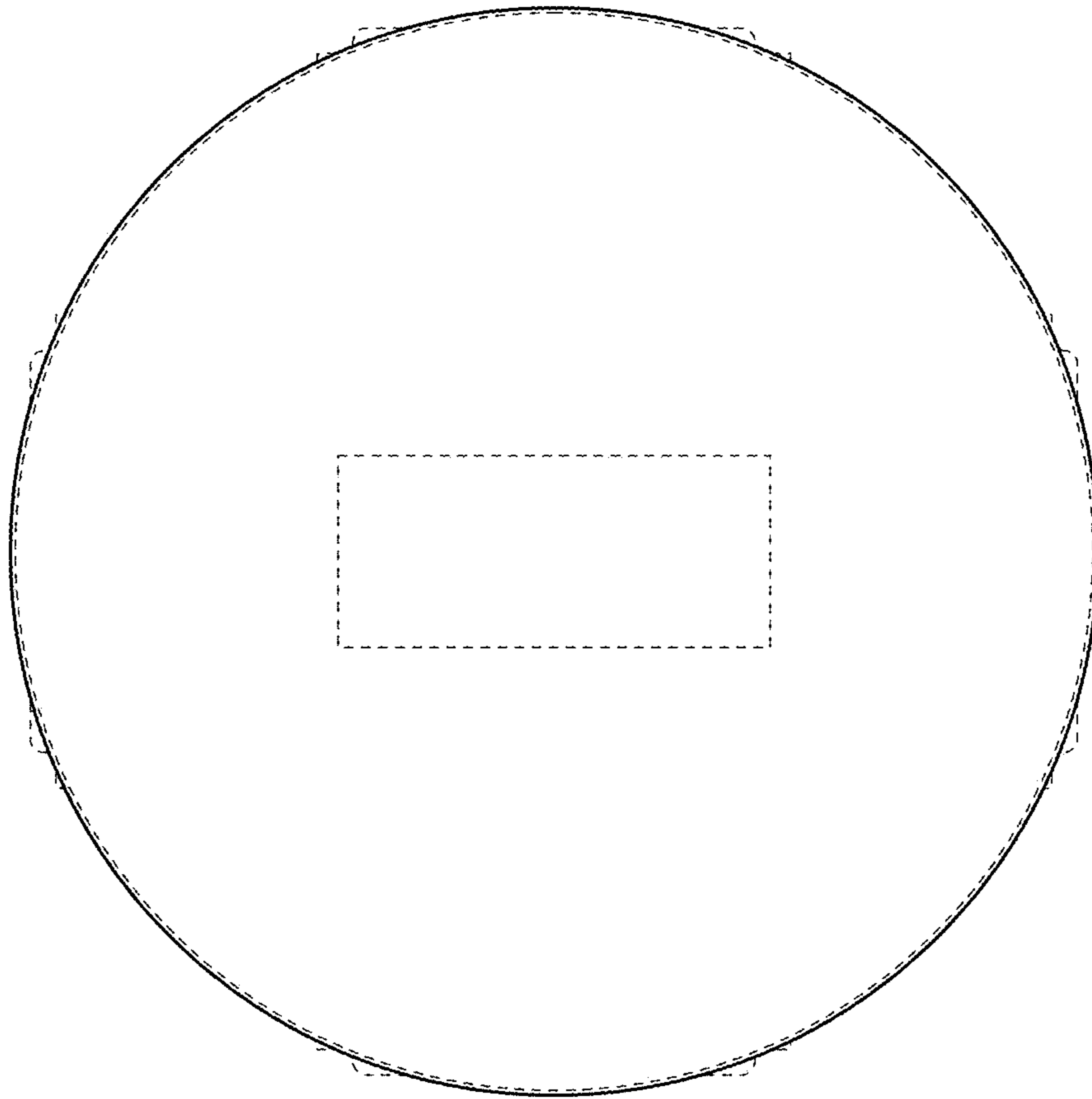


FIG. 6

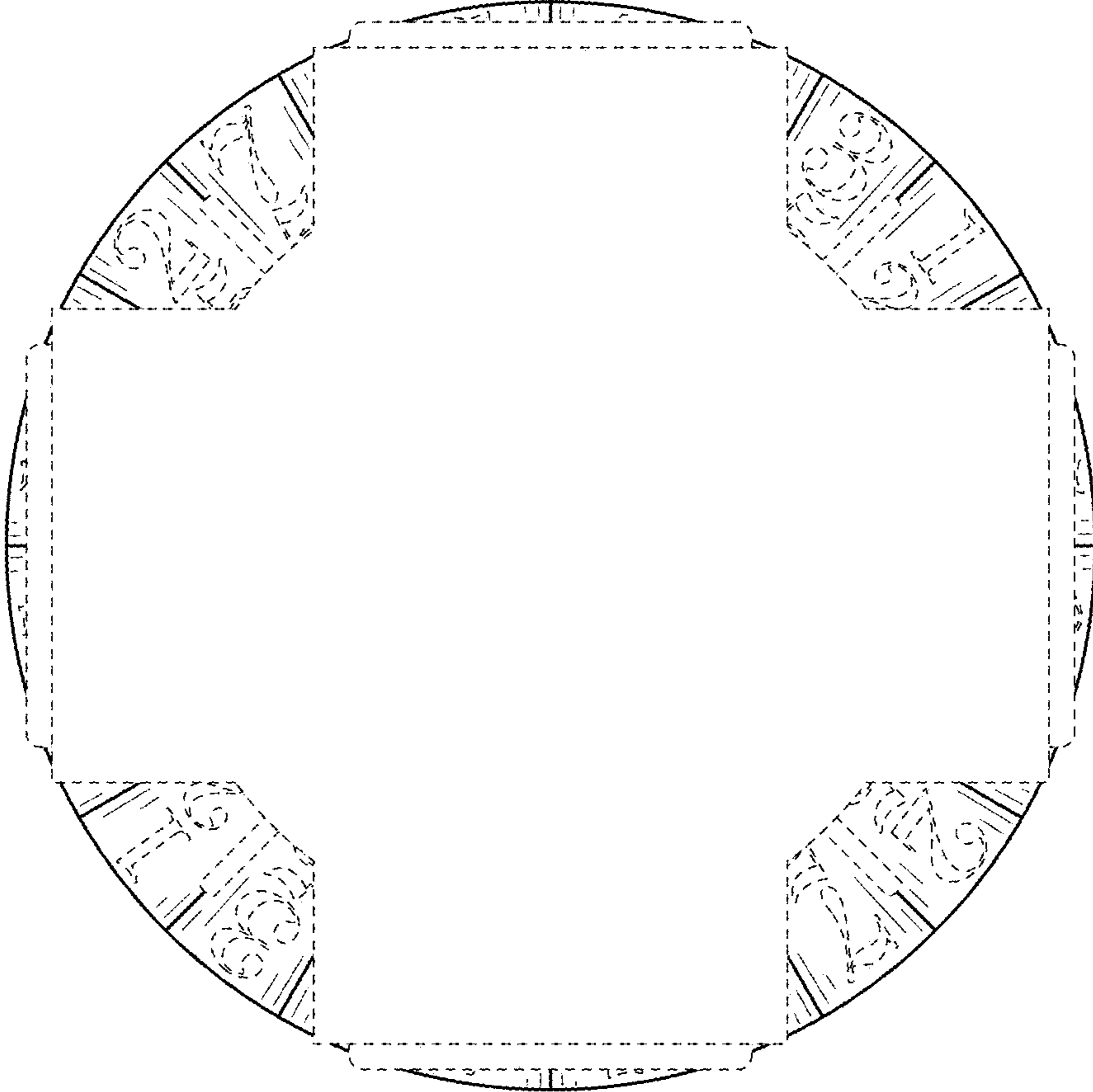


FIG. 7

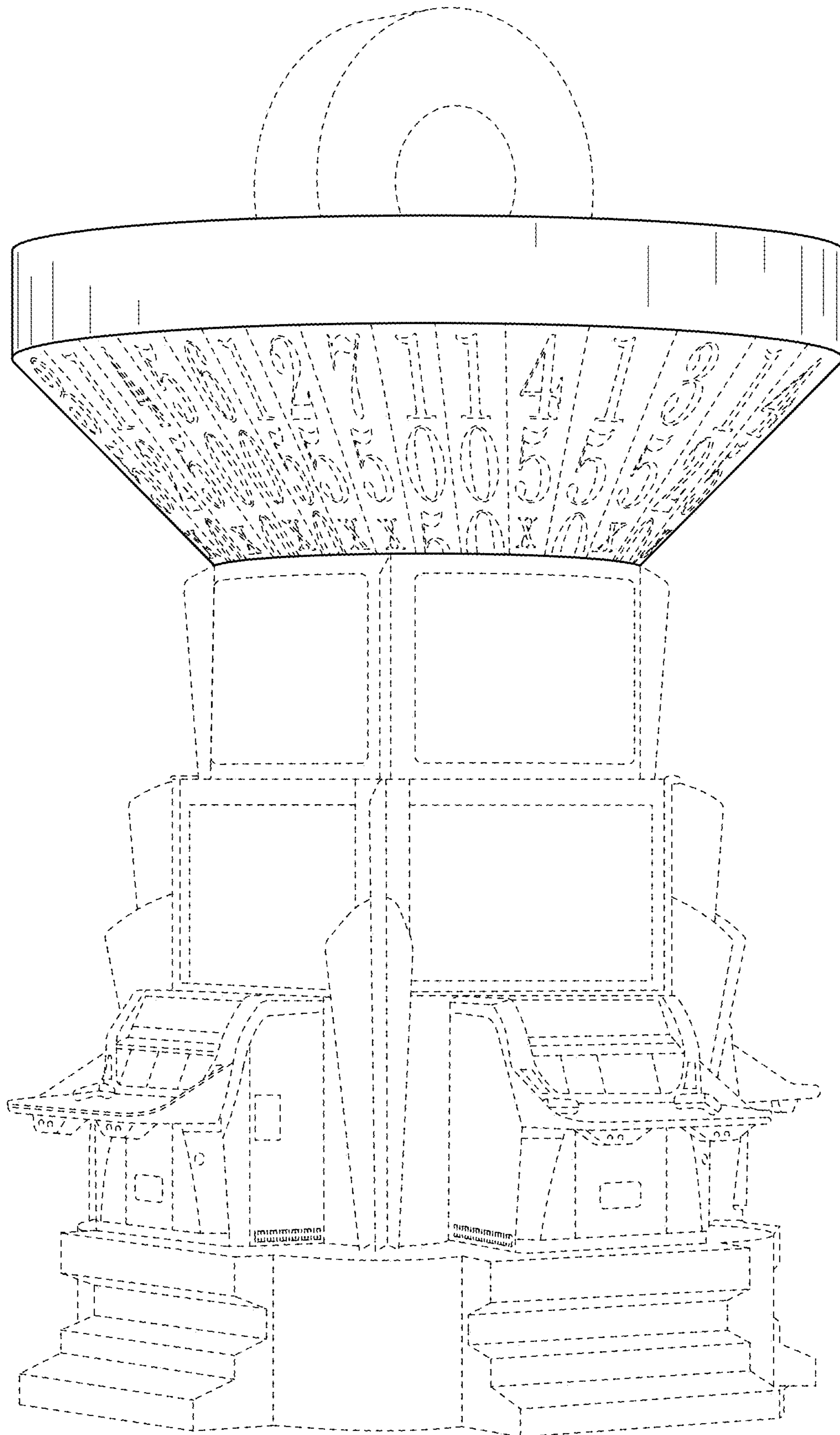


FIG. 8

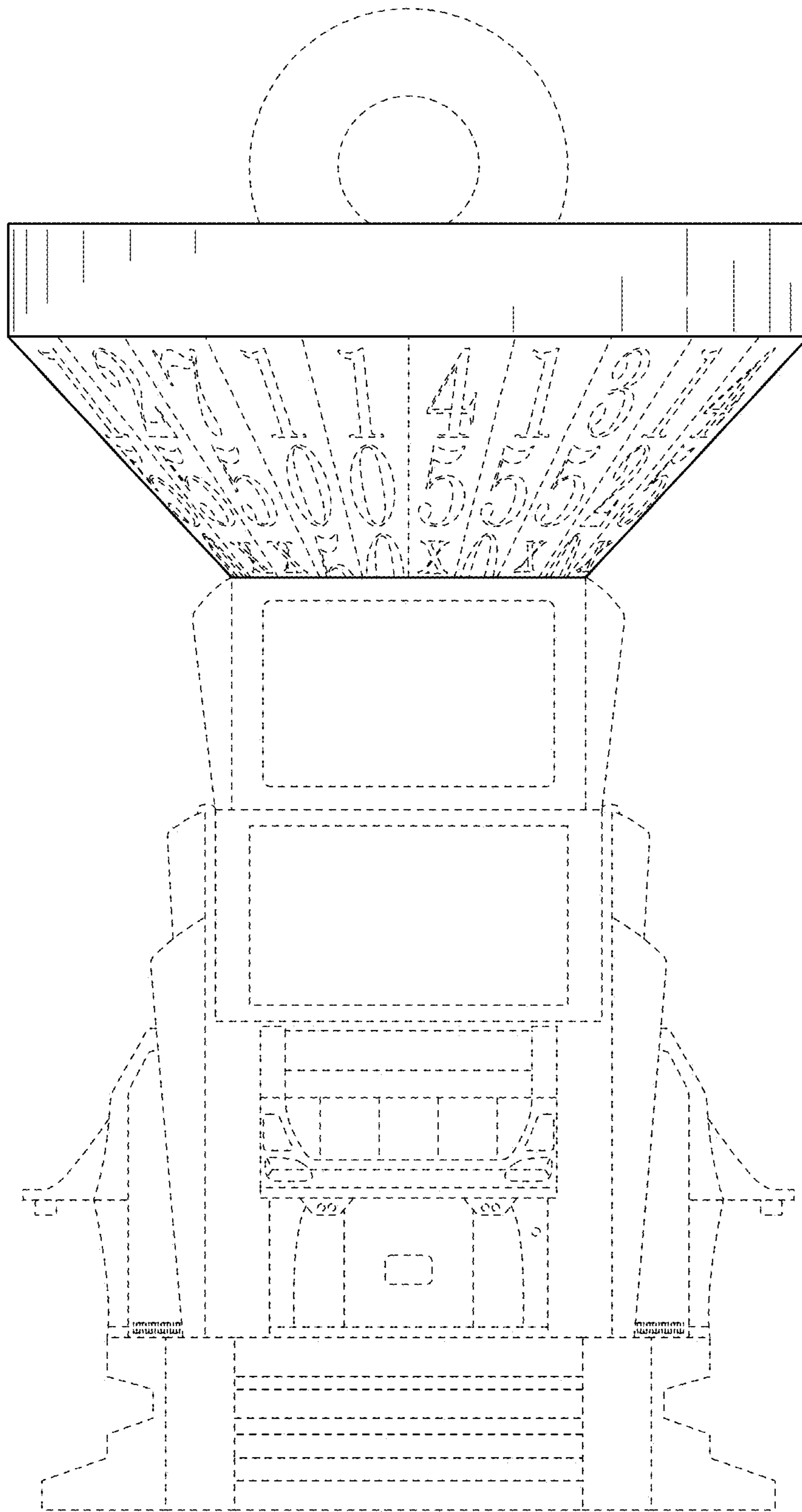


FIG. 9

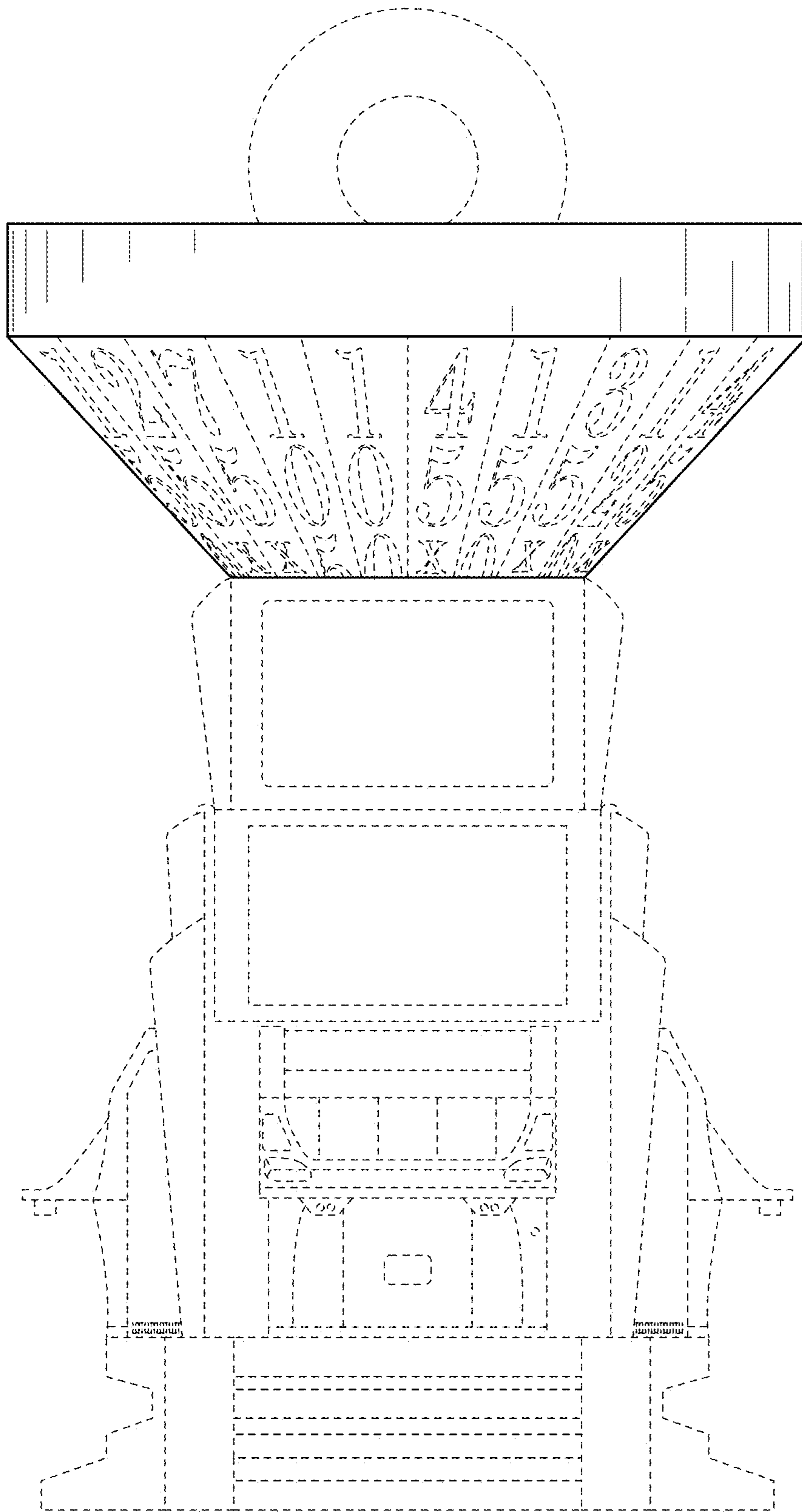


FIG. 10

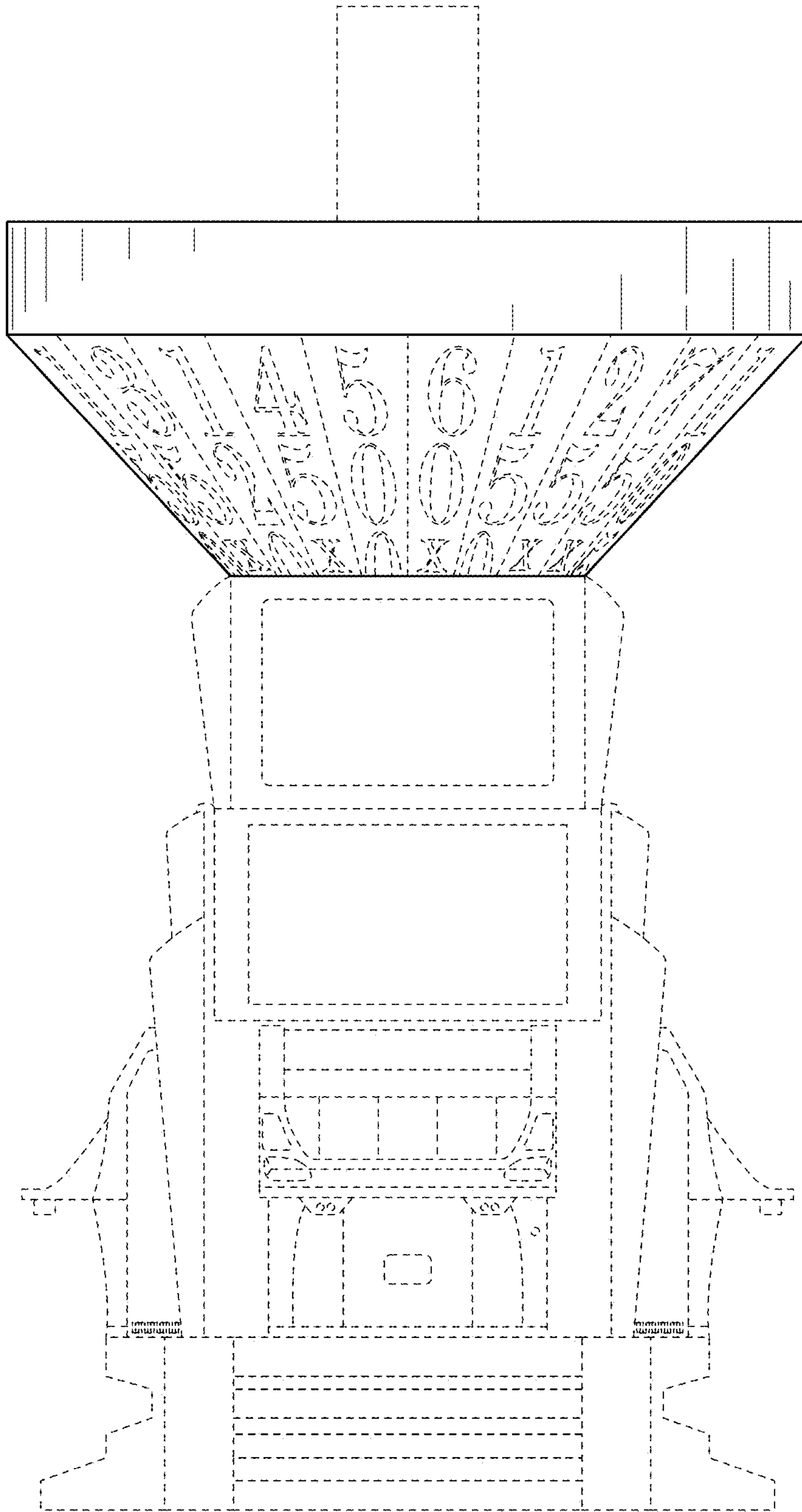


FIG. 11

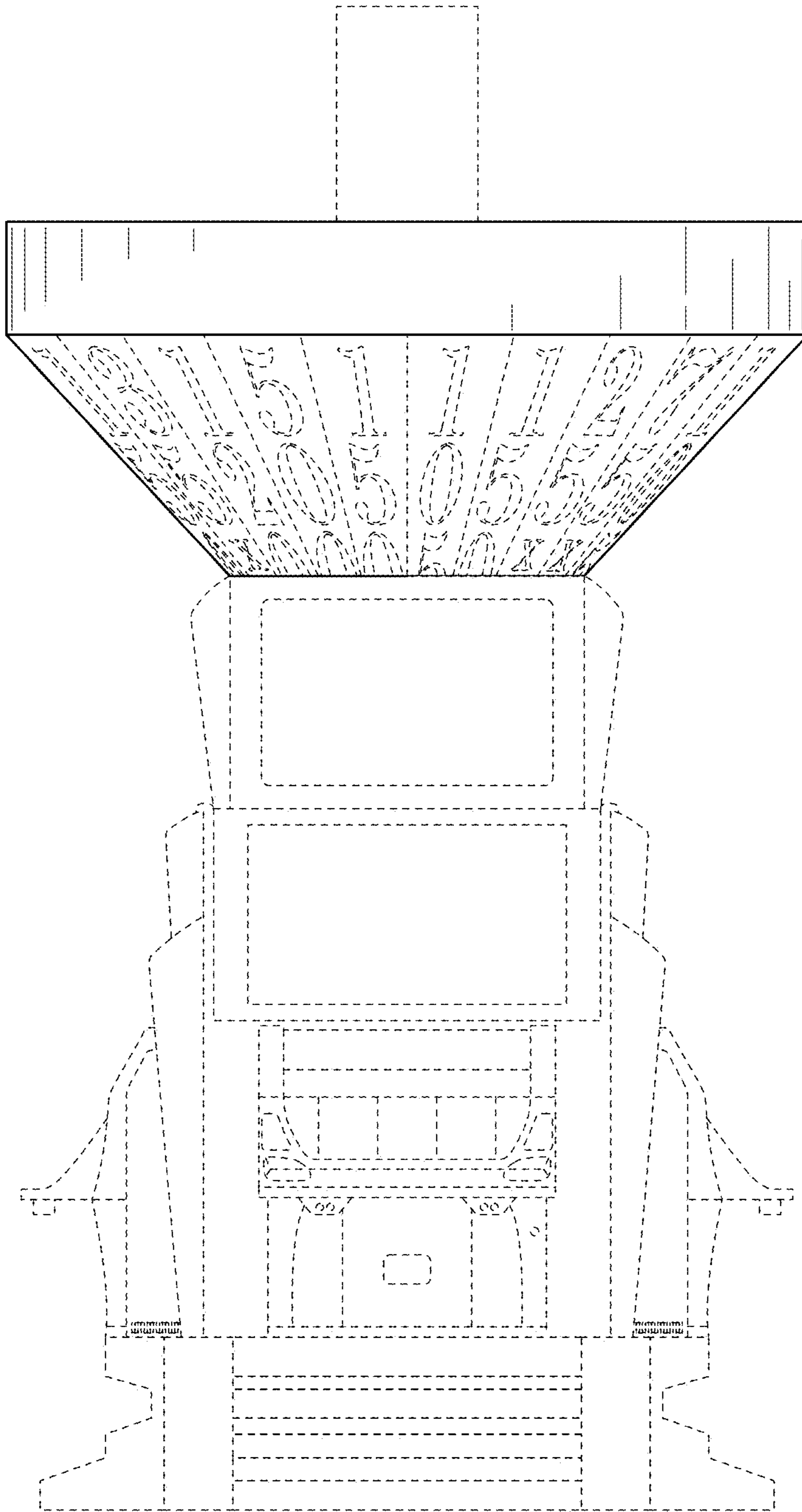


FIG. 12

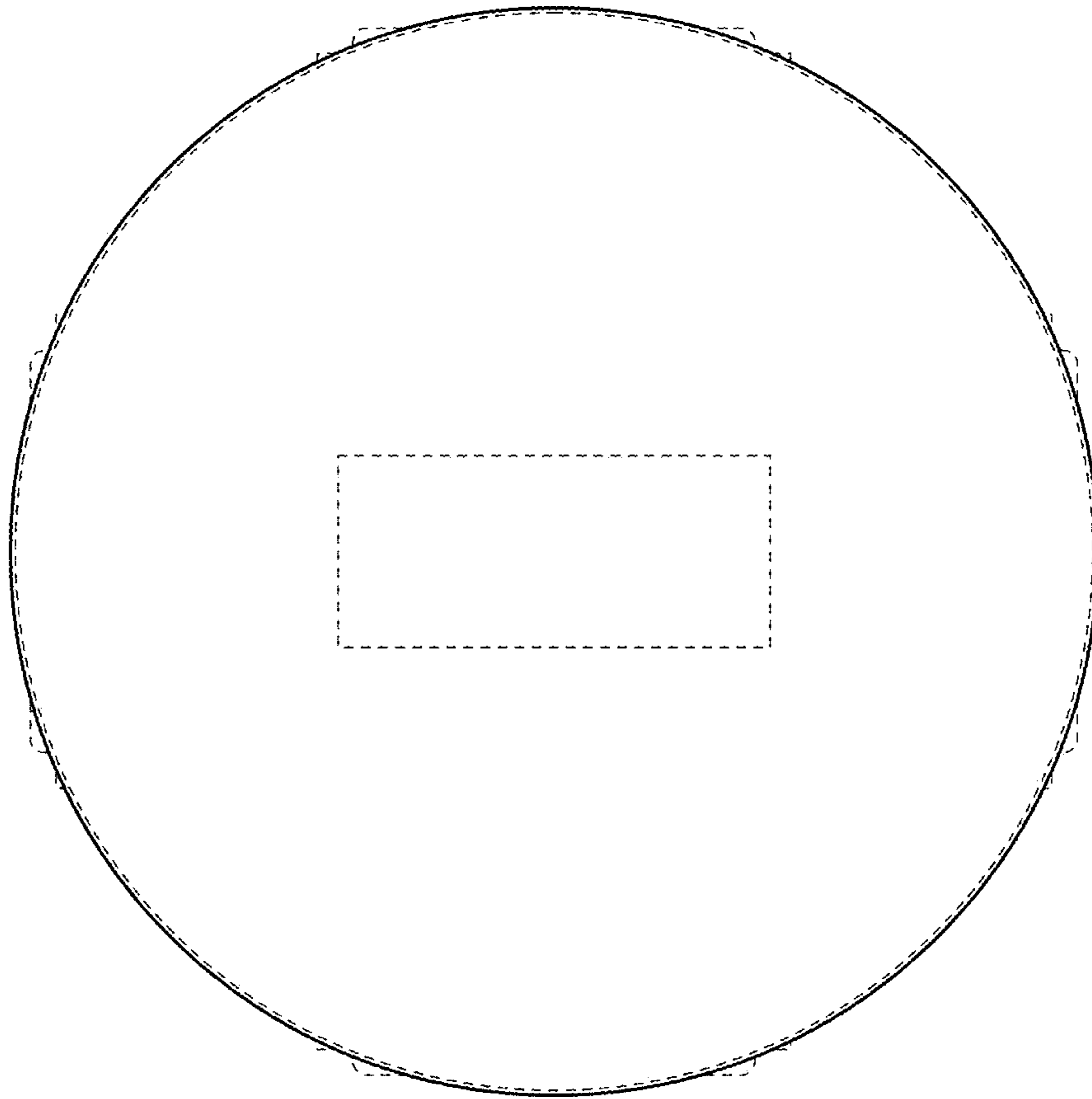


FIG. 13

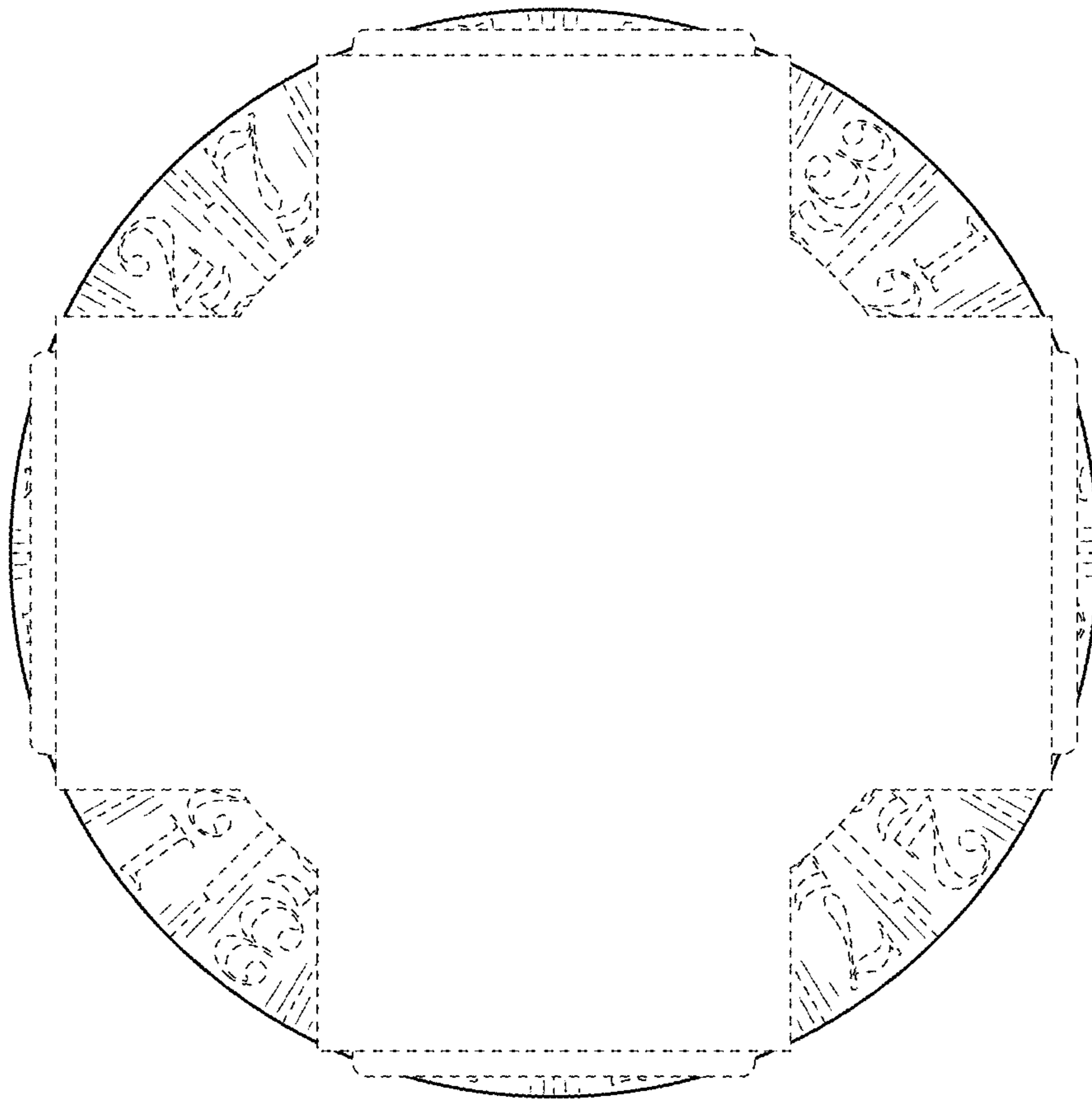


FIG. 14