

US00D904518S

(12) **United States Design Patent** (10) **Patent No.:** **US D904,518 S**  
**Covell** (45) **Date of Patent:** **\*\* Dec. 8, 2020**

(54) **TAG FOR ELECTRICAL PLUG**  
(71) Applicant: **The Covell Group, Inc.**, El Cajon, CA (US)  
(72) Inventor: **Daniel Covell**, El Cajon, CA (US)  
(73) Assignee: **The Covell Group, Inc.**, El Cajon, CA (US)

D788,713 S 6/2017 Papakos et al.  
D801,283 S \* 10/2017 Walsh ..... D13/154  
D820,797 S 6/2018 O'Connell  
D828,143 S 9/2018 Harrier  
D833,440 S \* 11/2018 Beaupre ..... D14/432  
D842,817 S \* 3/2019 Covell ..... D13/154  
D867,856 S \* 11/2019 Ruddick ..... D8/356

(Continued)

(\*\*) Term: **15 Years**  
(21) Appl. No.: **29/680,193**  
(22) Filed: **Feb. 14, 2019**  
(51) **LOC (12) Cl.** ..... **19-08**  
(52) **U.S. Cl.**  
USPC ..... **D20/27; D13/154**  
(58) **Field of Classification Search**  
USPC ..... D13/133, 146, 147, 153, 154, 155, 157,  
D13/173, 184, 199; D8/349; D20/22, 27  
CPC ..... H01R 3/00; H01R 12/70; H01R 13/44  
See application file for complete search history.

**OTHER PUBLICATIONS**

“Plug Tags”. Found online Jul. 13, 2020 at [wiki.dtonline.org](http://wiki.dtonline.org). Reference dated Jan. 12, 2017. Retrieved from [https://www.amazon.com/Aviation-Connector-Thread-Female-Lsgoodcare/dp/B01NCT2SCU/ref=sr\\_1\\_1](https://www.amazon.com/Aviation-Connector-Thread-Female-Lsgoodcare/dp/B01NCT2SCU/ref=sr_1_1). (Year: 2017).\*

(Continued)

*Primary Examiner* — Kendra Leslie Hamilton  
*Assistant Examiner* — Amanda Christensen  
(74) *Attorney, Agent, or Firm* — Cozen O'Connor

(57) **CLAIM**

I claim the ornamental design for a tag for electrical plug, as shown and described.

(56) **References Cited**

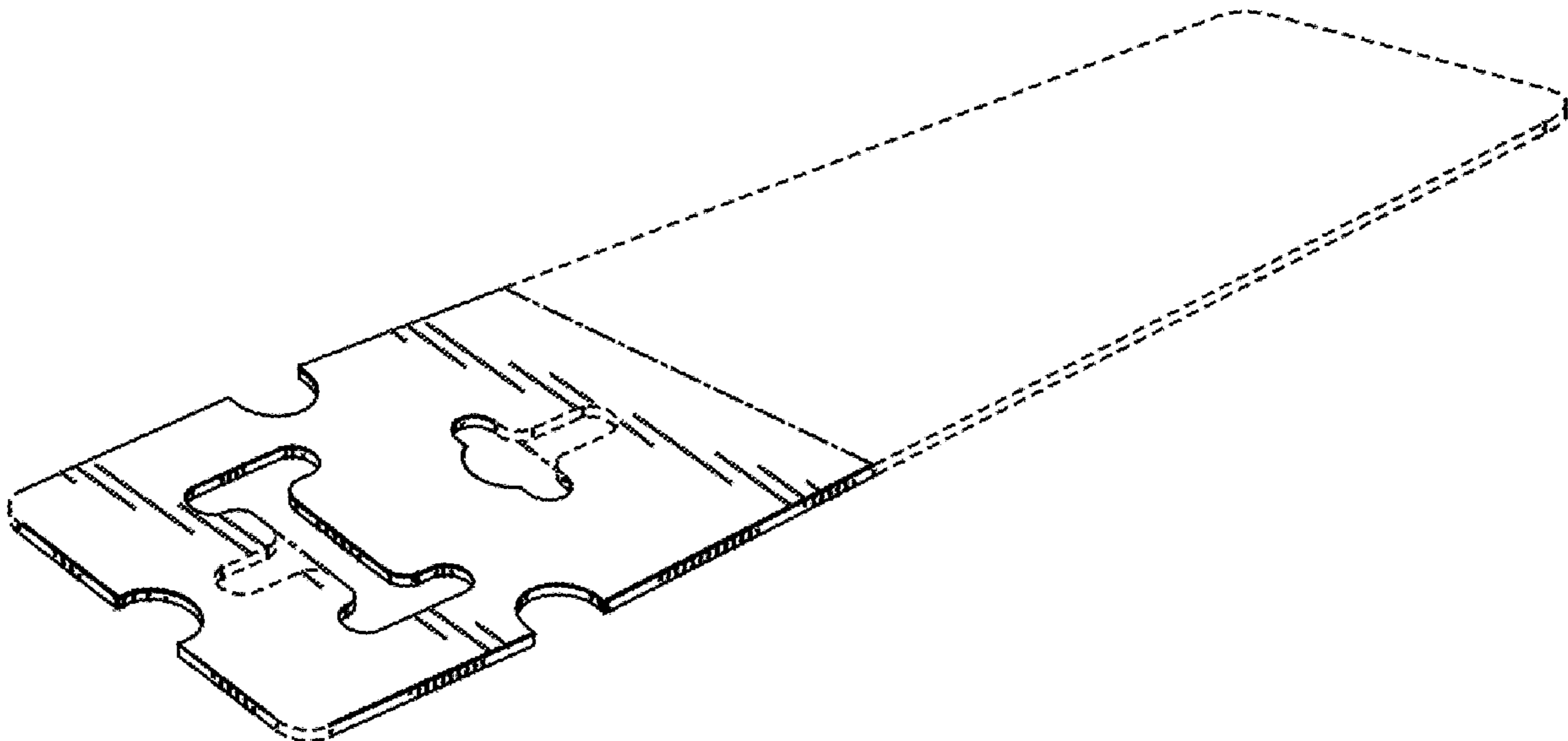
**U.S. PATENT DOCUMENTS**

3,116,099 A \* 12/1963 Miller ..... H01R 4/16  
439/720  
3,284,757 A 11/1966 Krone  
D283,715 S \* 5/1986 Kayen ..... D20/22  
D347,860 S 6/1994 Hand  
5,498,845 A \* 3/1996 Browning ..... H01H 23/141  
16/429  
D403,709 S \* 1/1999 Norwood ..... D20/22  
D500,806 S \* 1/2005 Jensen ..... D20/22  
7,427,204 B1 9/2008 Mangone  
7,547,227 B1 6/2009 Gibson et al.  
D627,826 S \* 11/2010 Halimi ..... D20/27  
D644,186 S \* 8/2011 Qu ..... D13/154  
8,282,430 B2 \* 10/2012 He ..... H01B 5/00  
439/862  
D729,745 S 5/2015 Vanderwoud

**DESCRIPTION**

FIG. 1 is a top perspective view of a tag for electrical plug showing my new design, the bottom perspective view being a mirror image thereof;  
FIG. 2 is a top plan view thereof;  
FIG. 3 is a front elevation view thereof;  
FIG. 4 is a bottom plan view thereof;  
FIG. 5 is a rear elevation view thereof;  
FIG. 6 is a right side elevation view thereof; and,  
FIG. 7 is a left side elevation view thereof.  
The broken lines in the drawings depict portions of the tag for electrical plug that form no part of the claimed design. The dash-dot-dash lines define the boundaries of the claim.

**1 Claim, 2 Drawing Sheets**



(56)

**References Cited**

U.S. PATENT DOCUMENTS

2006/0189197 A1 8/2006 Reed et al.  
2012/0079750 A1 4/2012 Lawrence  
2012/0164860 A1 6/2012 Wang et al.  
2017/0001364 A1\* 1/2017 MacDonald ..... B29C 65/7802

OTHER PUBLICATIONS

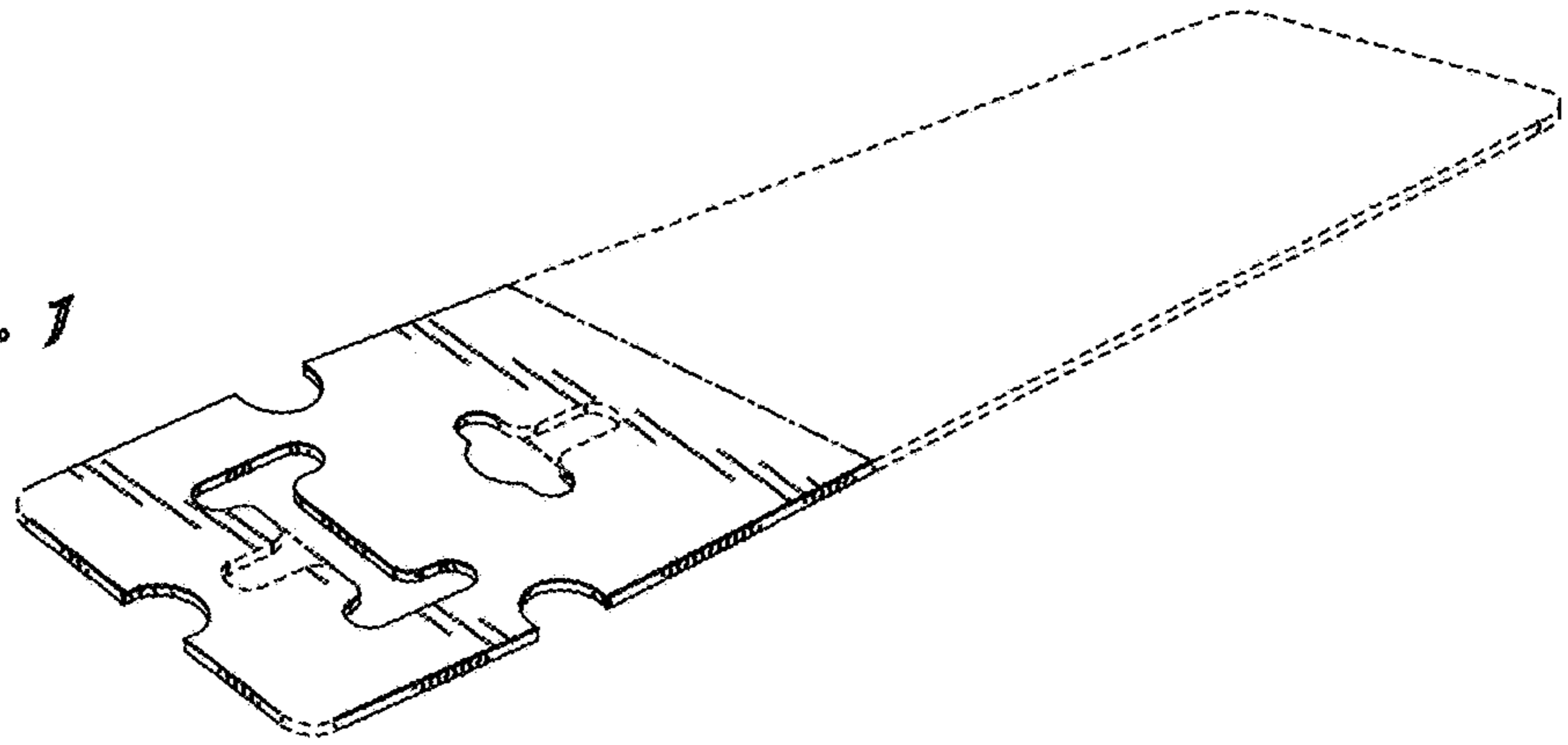
“Marking Tag Label Marker”. Found online Aug. 11, 2020 at newegg.com. Reference dated Dec. 26, 2018. Retrieved from <https://www.newegg.com/p/2US-002B-00078>. (Year: 2018).\*

“JETech Screen Protector”. Found online Aug. 11, 2020 at amazon.com. Reference dated Aug. 19, 2016. Retrieved from <https://www.amazon.com/JETech-Screen-Protector-5-5-Inch-Tempered/dp/B01KNVY2FO>. (Year: 2016).\*

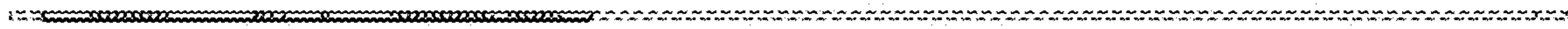
“Bottle Opener”. Found online Jul. 16, 2020 at nicepricefavors.com. Reference dated Oct. 14, 2017. Retrieved from <https://www.nicepricefavors.com/p-5112.htm>. (Year: 2017).\*

\* cited by examiner

*Fig. 1*



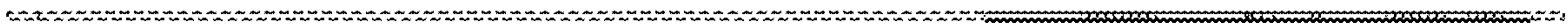
*Fig. 2*



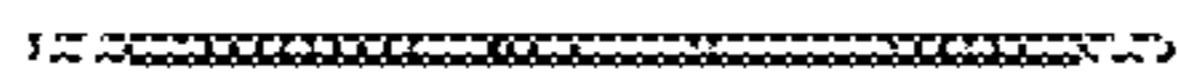
*Fig. 3*



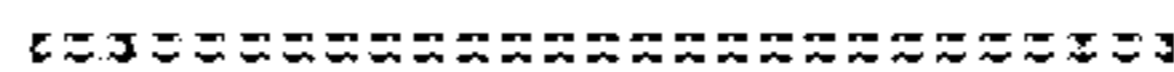
*Fig. 4*



*Fig. 5*



*Fig. 6*



*Fig. 7*