



US00D904517S

(12) **United States Design Patent**
Courville

(10) **Patent No.:** **US D904,517 S**

(45) **Date of Patent:** **** Dec. 8, 2020**

- (54) **DELIVERY COMPARTMENT**
- (71) Applicant: **Nourish Technology Inc.**, Berkeley, CA (US)
- (72) Inventor: **Greg Courville**, Berkeley, CA (US)
- (73) Assignee: **Nourish Technology, Inc.**, Berkeley, CA (US)
- (**) Term: **15 Years**
- (21) Appl. No.: **29/687,616**
- (22) Filed: **Apr. 15, 2019**
- (51) **LOC (12) Cl.** **20-01**
- (52) **U.S. Cl.**
USPC **D20/8**
- (58) **Field of Classification Search**
USPC D15/79, 81, 89; D20/1-9; D99/28
CPC G06Q 20/18; G07F 7/00; G07F 7/025;
G07F 7/08; G07F 7/12; G07F 11/00;
G07F 11/02; G07F 11/62; G07F 11/165;
G07F 7/069; G07F 17/00; G07F 17/40
See application file for complete search history.

- D695,795 S * 12/2013 Schaefer D15/81
- D744,011 S * 11/2015 Reaux D15/79
- D762,744 S * 8/2016 Tissi D15/81
- D772,522 S * 11/2016 Henderson D99/28
- D781,930 S * 3/2017 Ward D15/79
- D793,457 S * 8/2017 Kim D15/79

* cited by examiner

Primary Examiner — Mary Ann Calabrese

Assistant Examiner — Catherine Ho

(74) *Attorney, Agent, or Firm* — Stradley Ronon Stevens & Young, LLP

(57) **CLAIM**

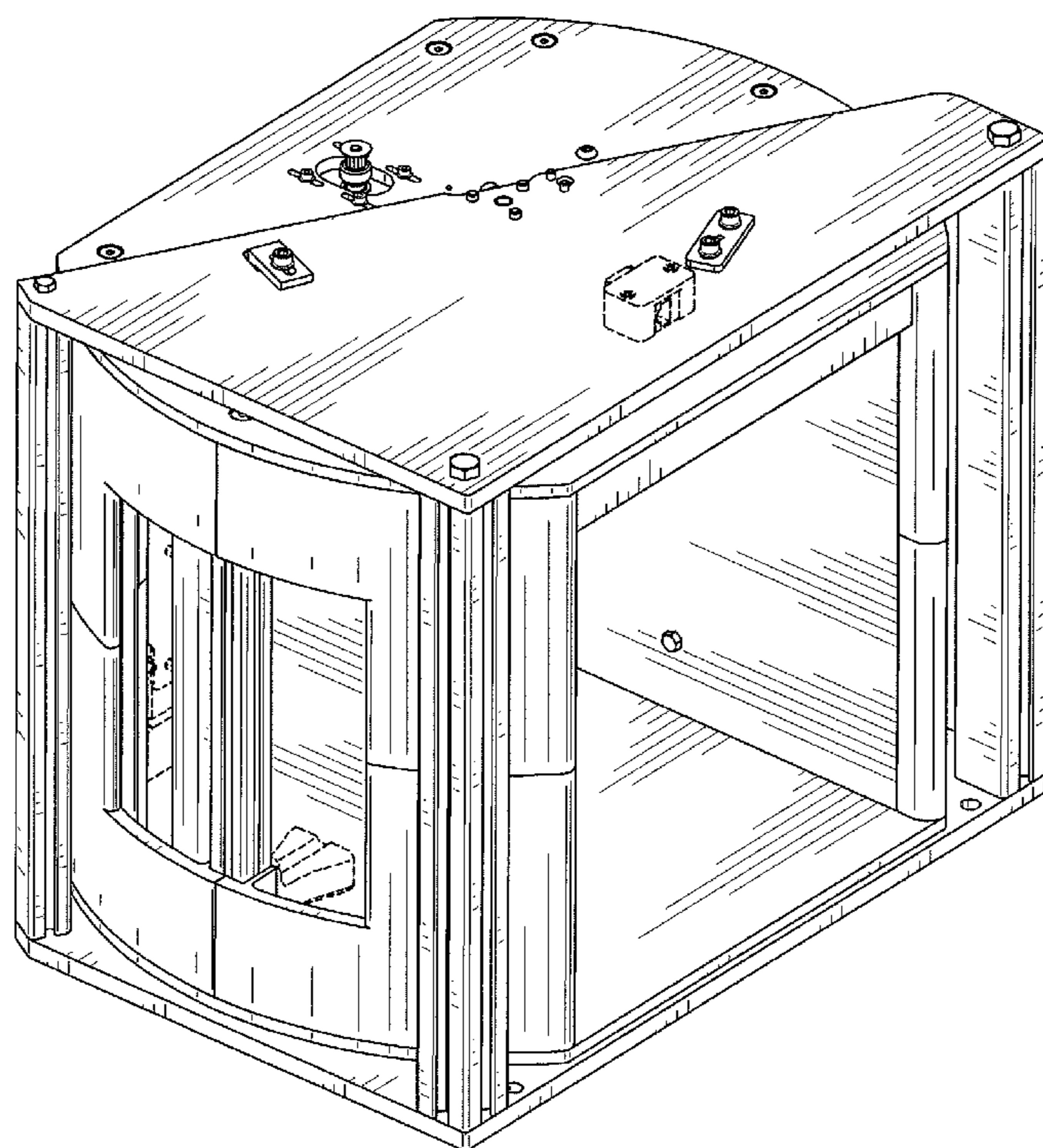
I claim the ornamental design for a delivery compartment, as shown and described.

DESCRIPTION

FIG. 1 is a front left top perspective view of a delivery compartment, showing my new design;
 FIG. 2 is a front right top perspective view thereof;
 FIG. 3 is a front right bottom perspective view thereof;
 FIG. 4 is a left rear bottom perspective view thereof;
 FIG. 5 is a right rear top perspective view thereof;
 FIG. 6 is a front elevation view thereof;
 FIG. 7 is a rear elevation view thereof;
 FIG. 8 is a top plan view thereof;
 FIG. 9 is a bottom plan view thereof;
 FIG. 10 is a right elevation view thereof; and,
 FIG. 11 is a left elevation view thereof.
 The broken line portion of the figure drawings is included to show portions of the article that form no part of the claimed design.

- (56) **References Cited**
U.S. PATENT DOCUMENTS
- D82,770 S * 12/1930 Terry D15/81
- D259,481 S * 6/1981 Kappos D12/102
- D354,064 S * 1/1995 Sims D15/81
- D630,231 S * 1/2011 Yang D15/81
- D641,213 S * 7/2011 Uffner D15/81
- D679,735 S * 4/2013 Roekens D15/81
- D687,076 S * 7/2013 Schaefer D15/81

1 Claim, 11 Drawing Sheets



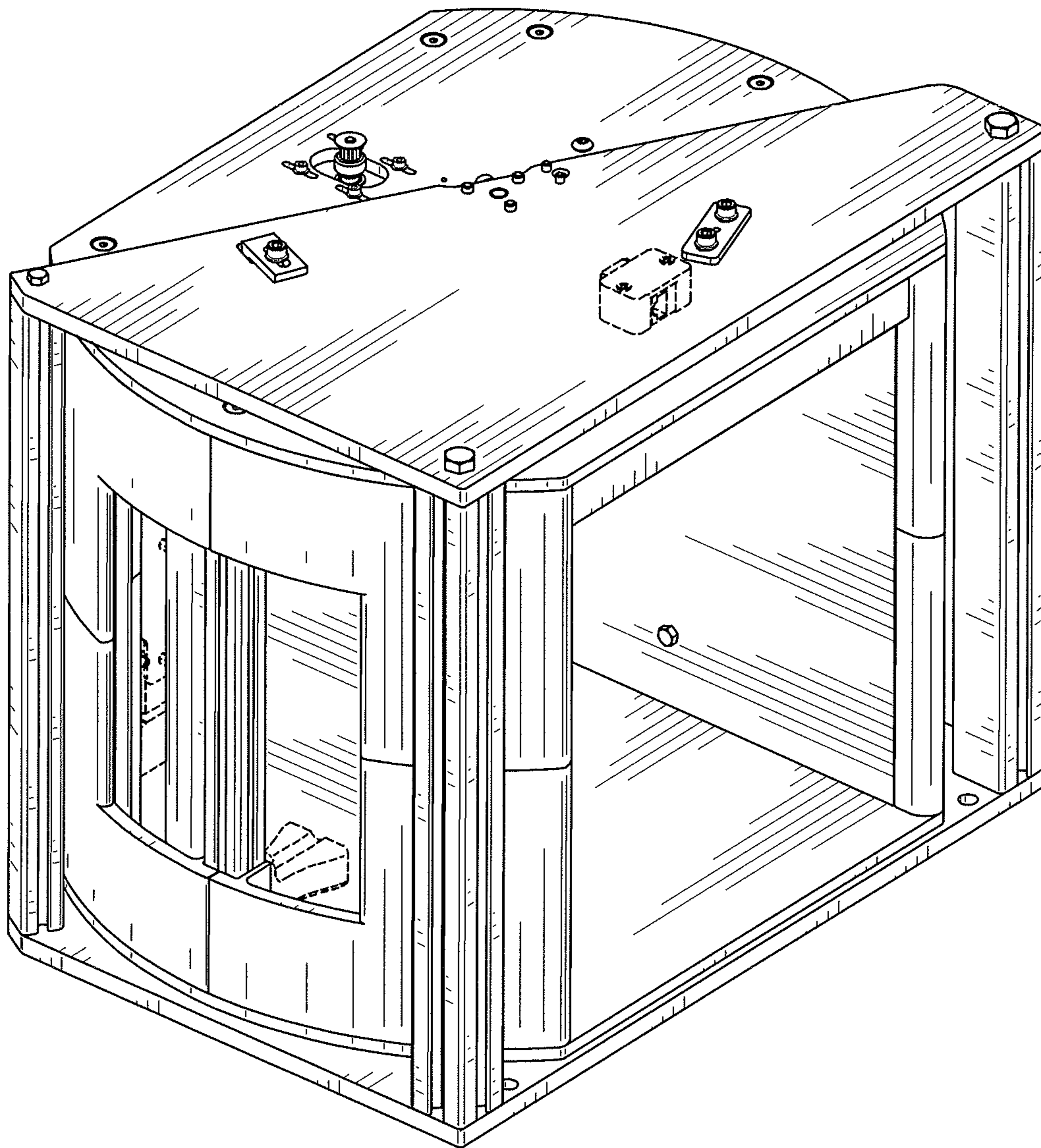


FIG. 1

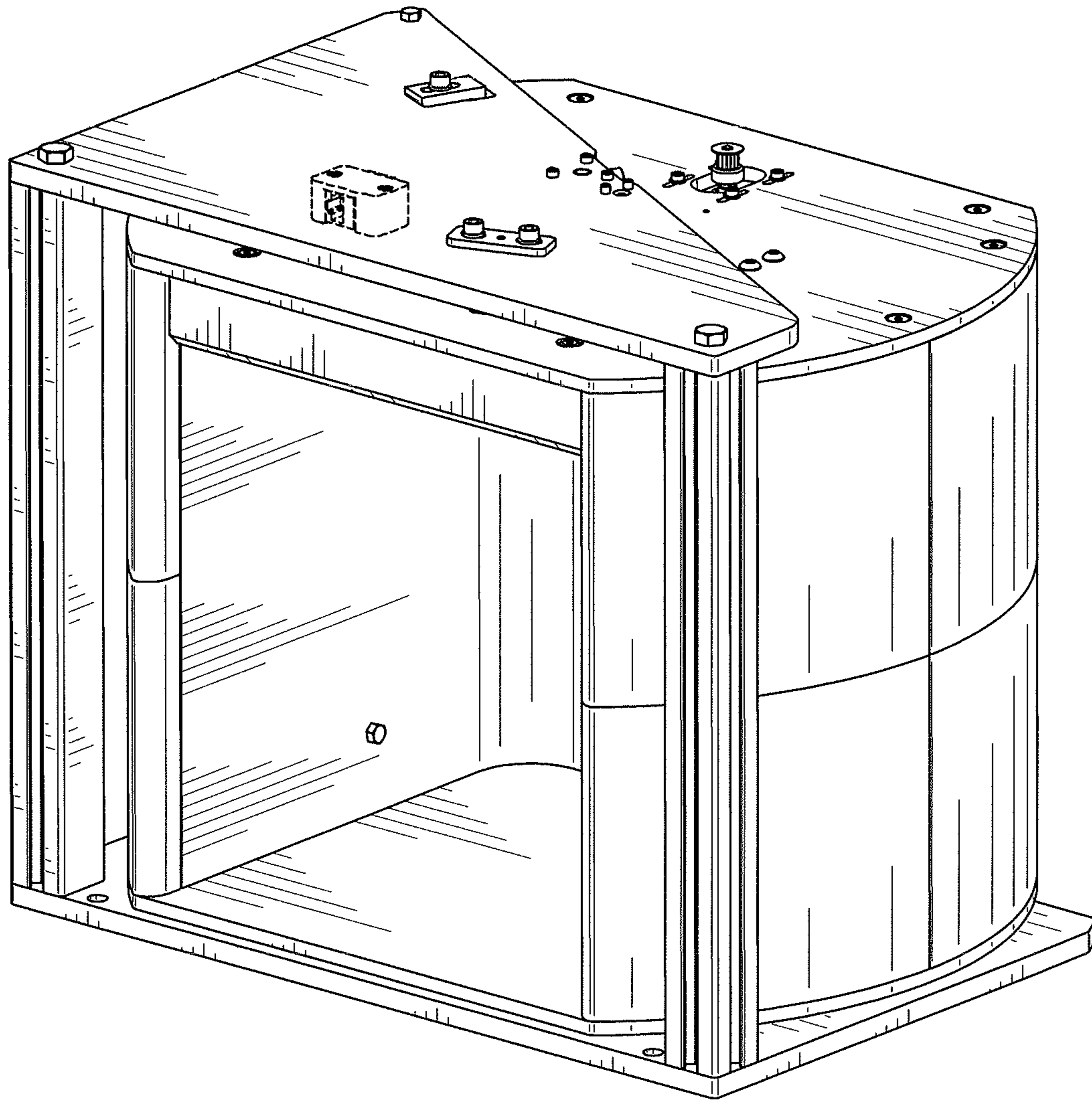


FIG. 2

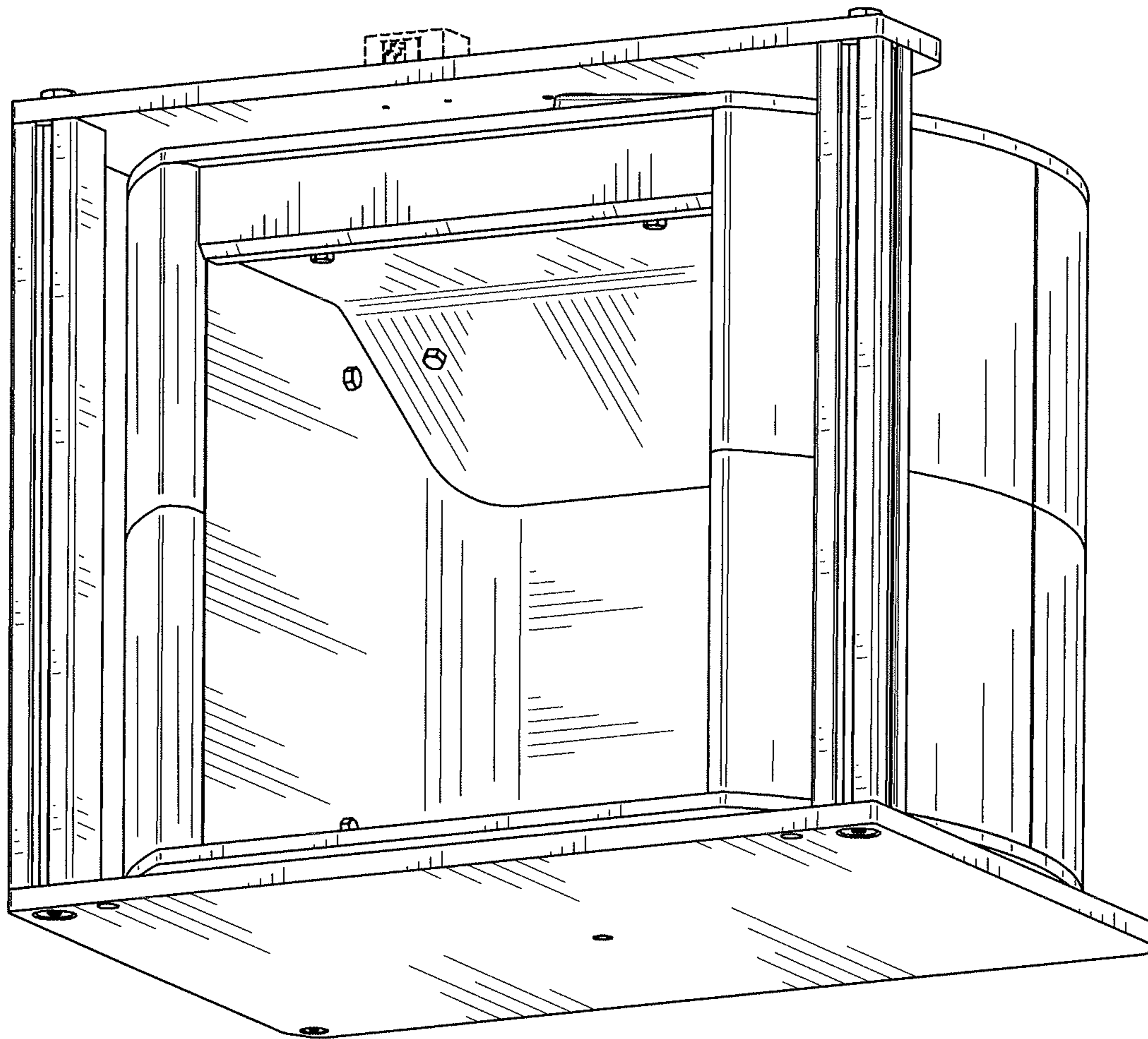


FIG. 3

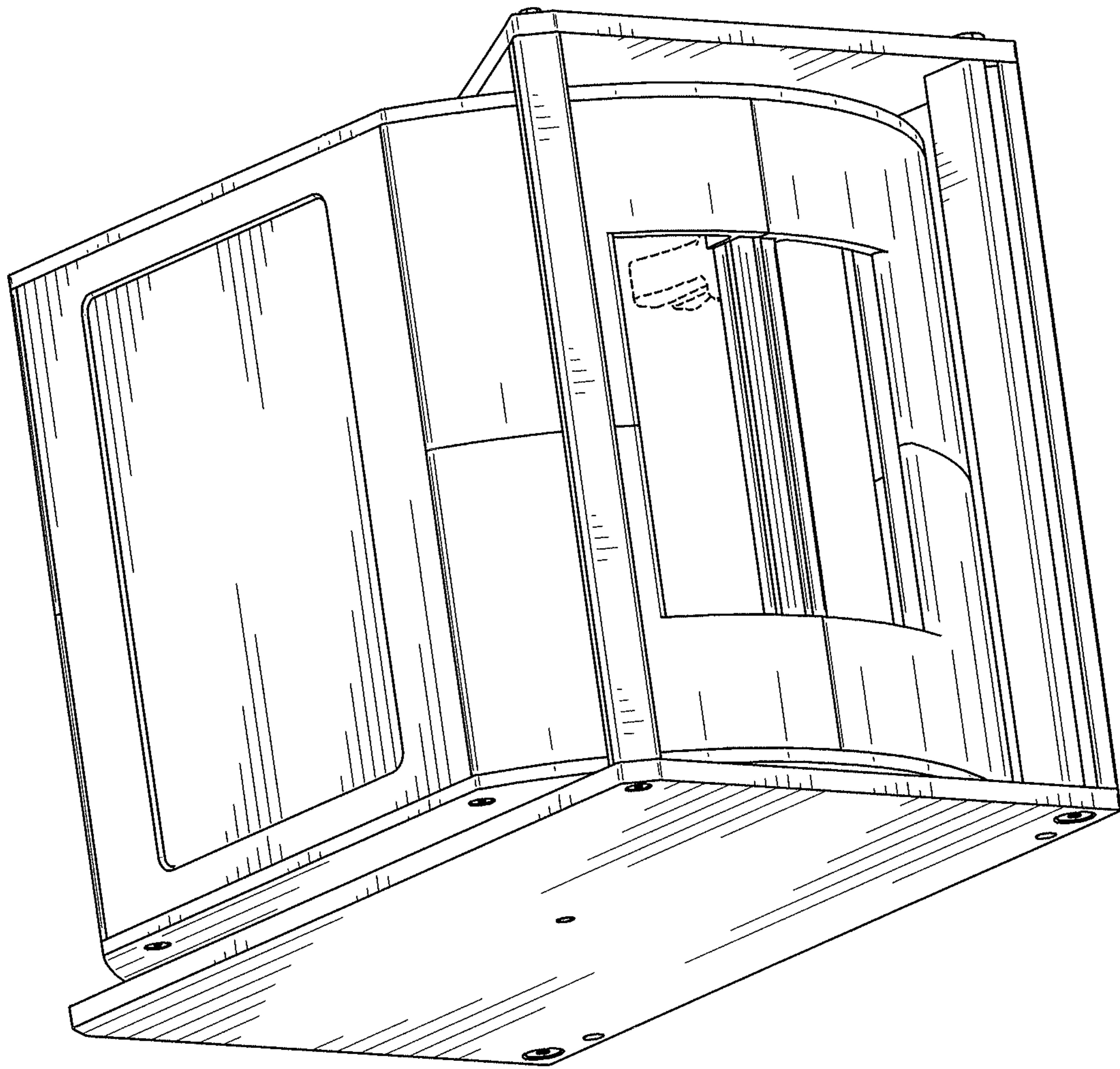


FIG. 4

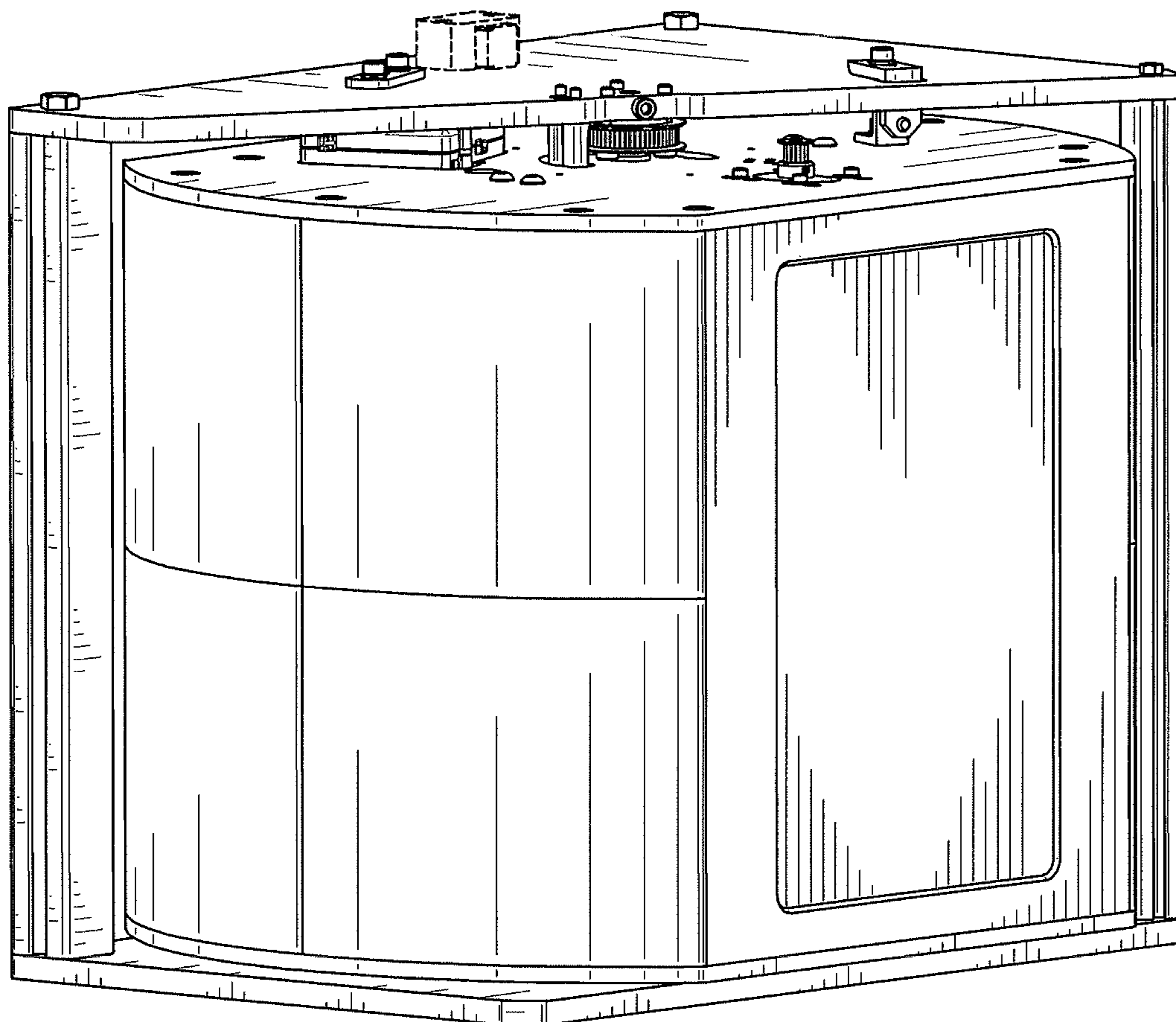


FIG. 5

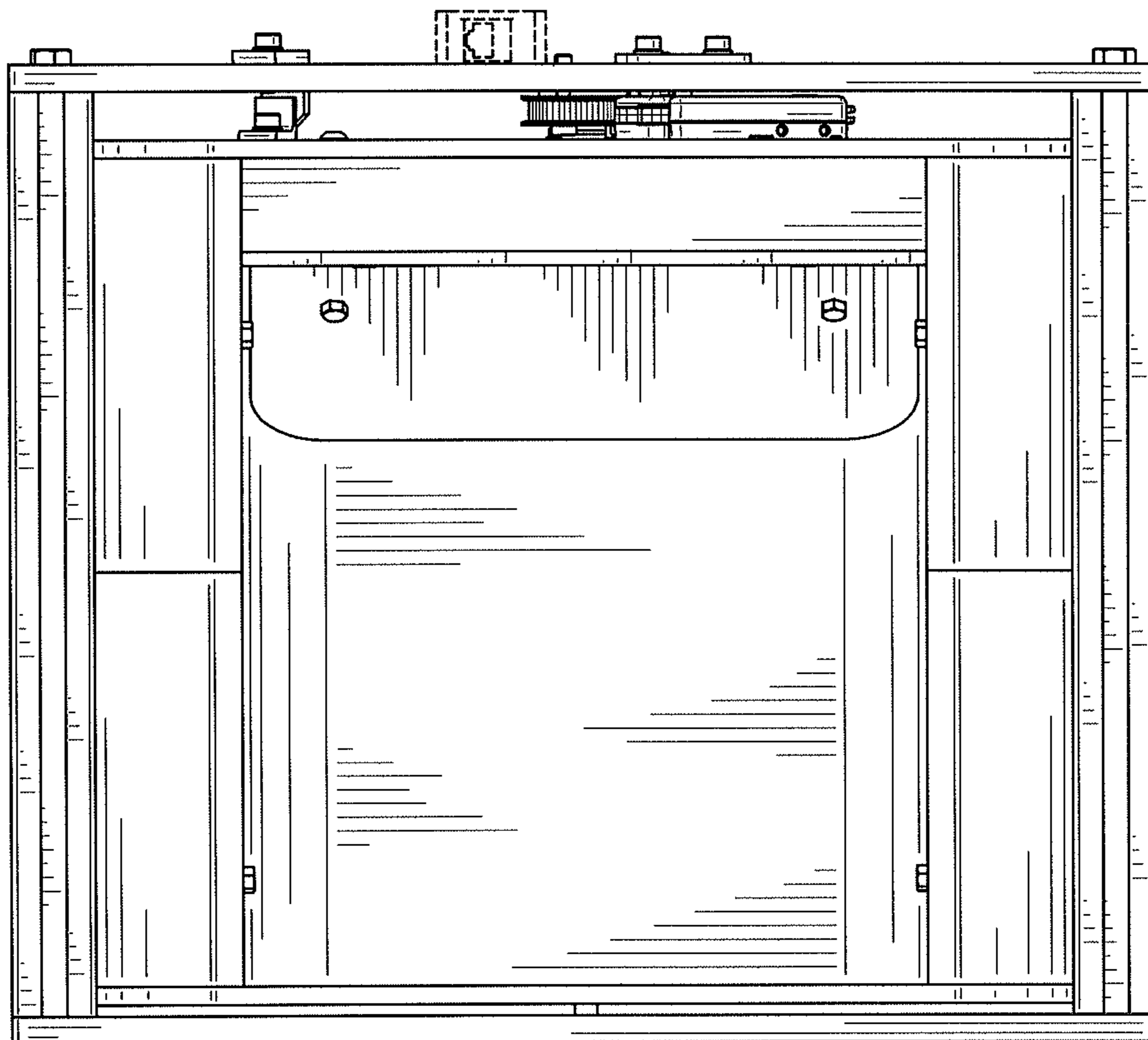


FIG. 6

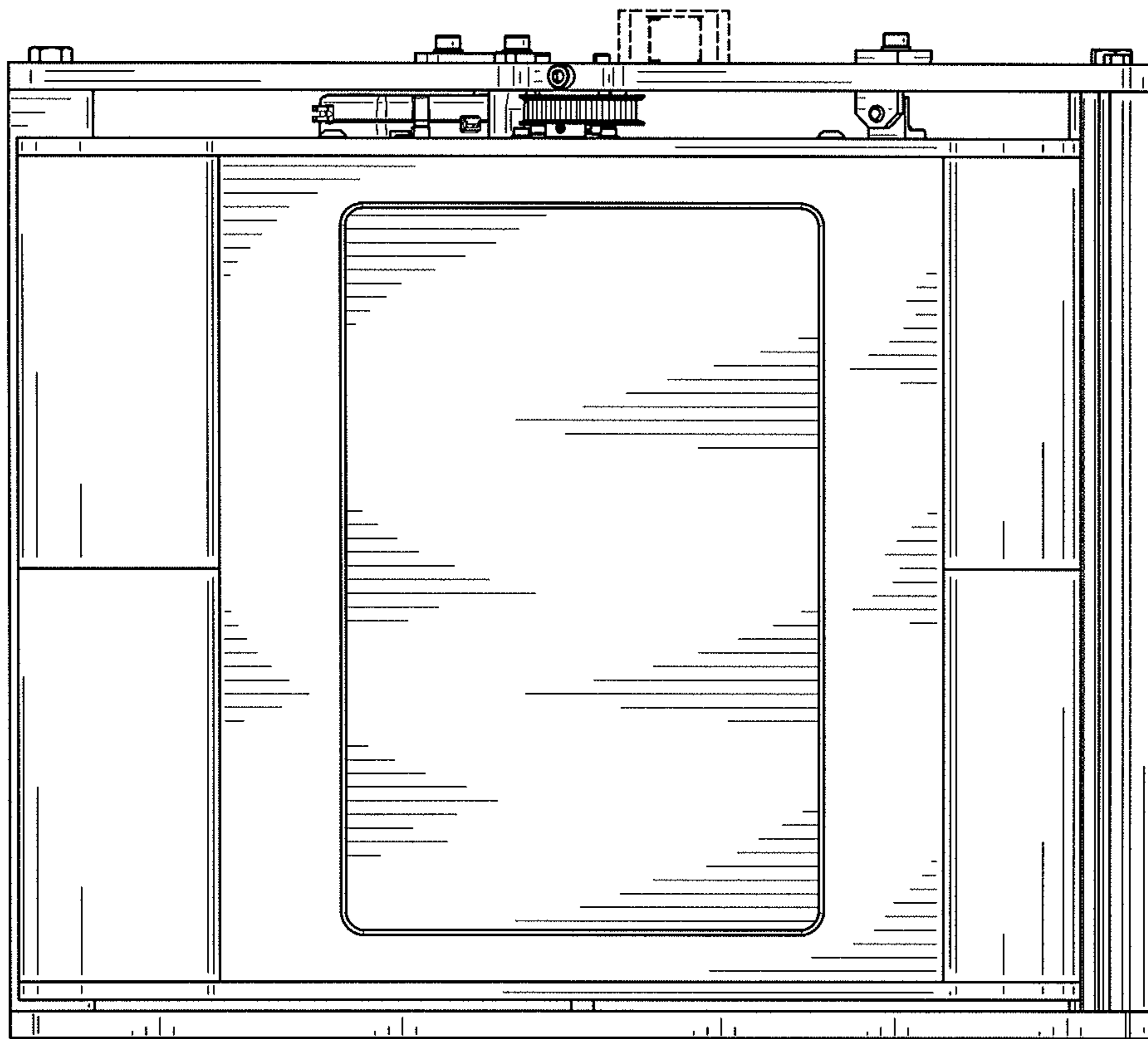


FIG. 7

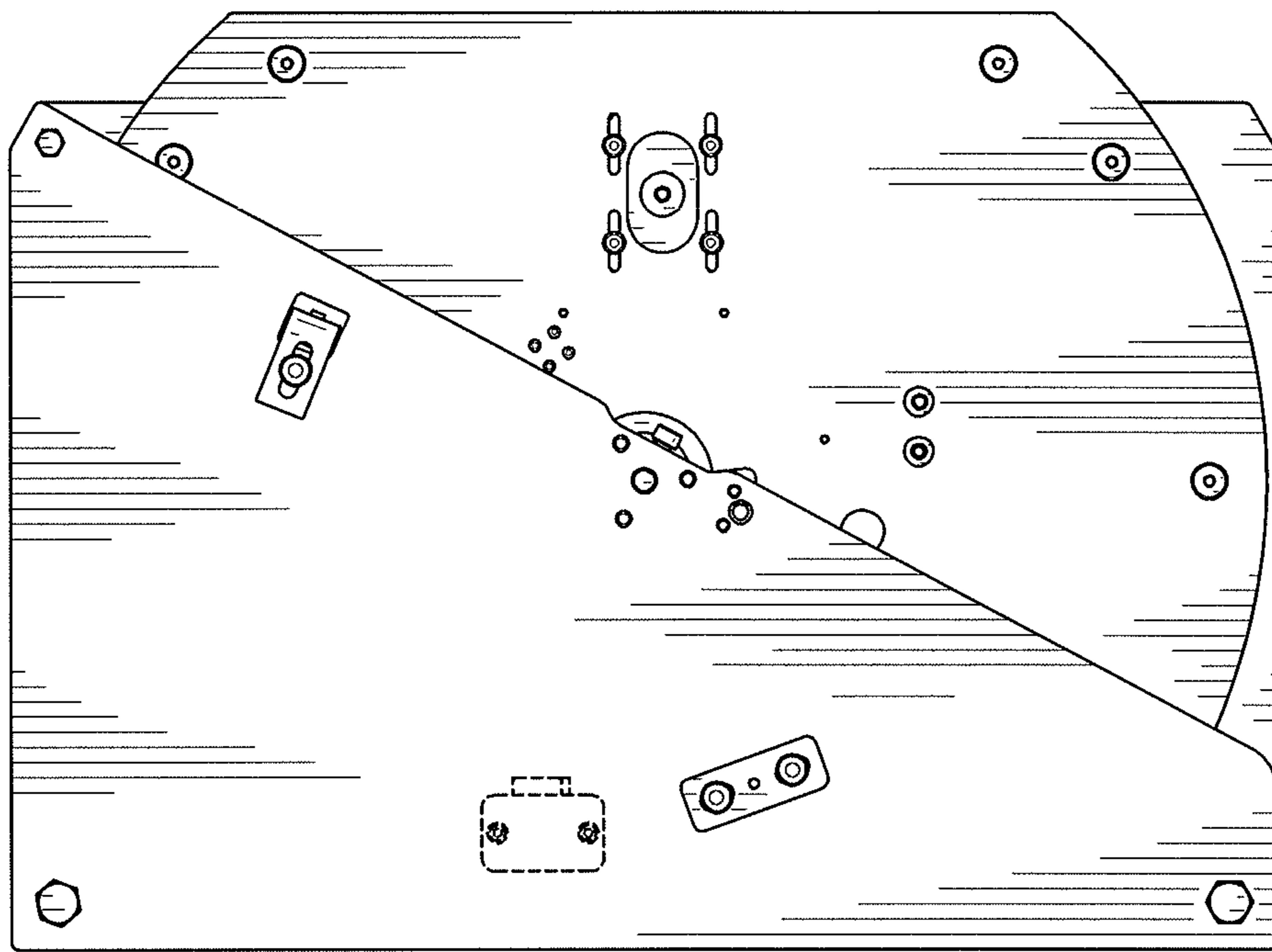


FIG. 8

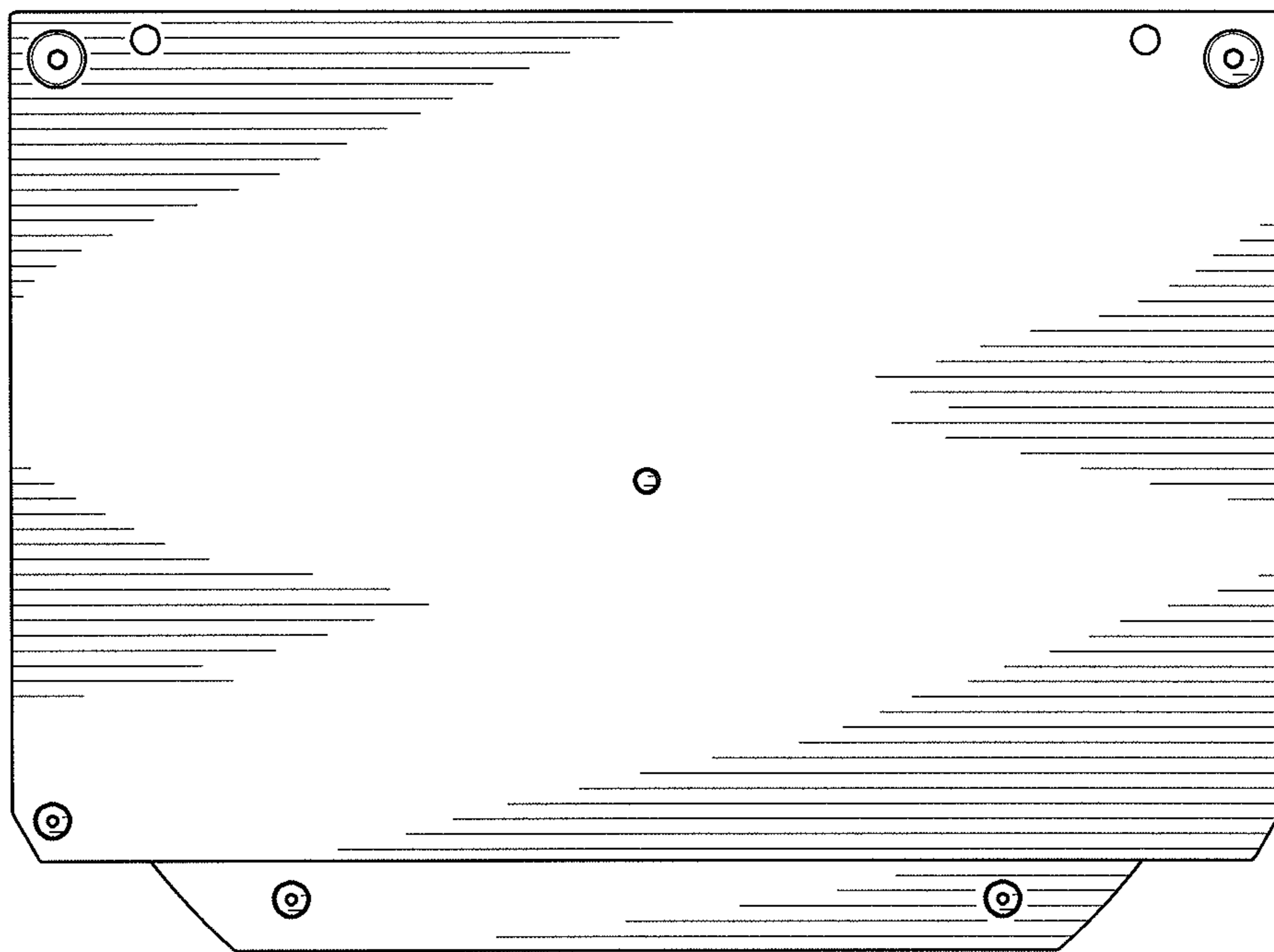


FIG. 9

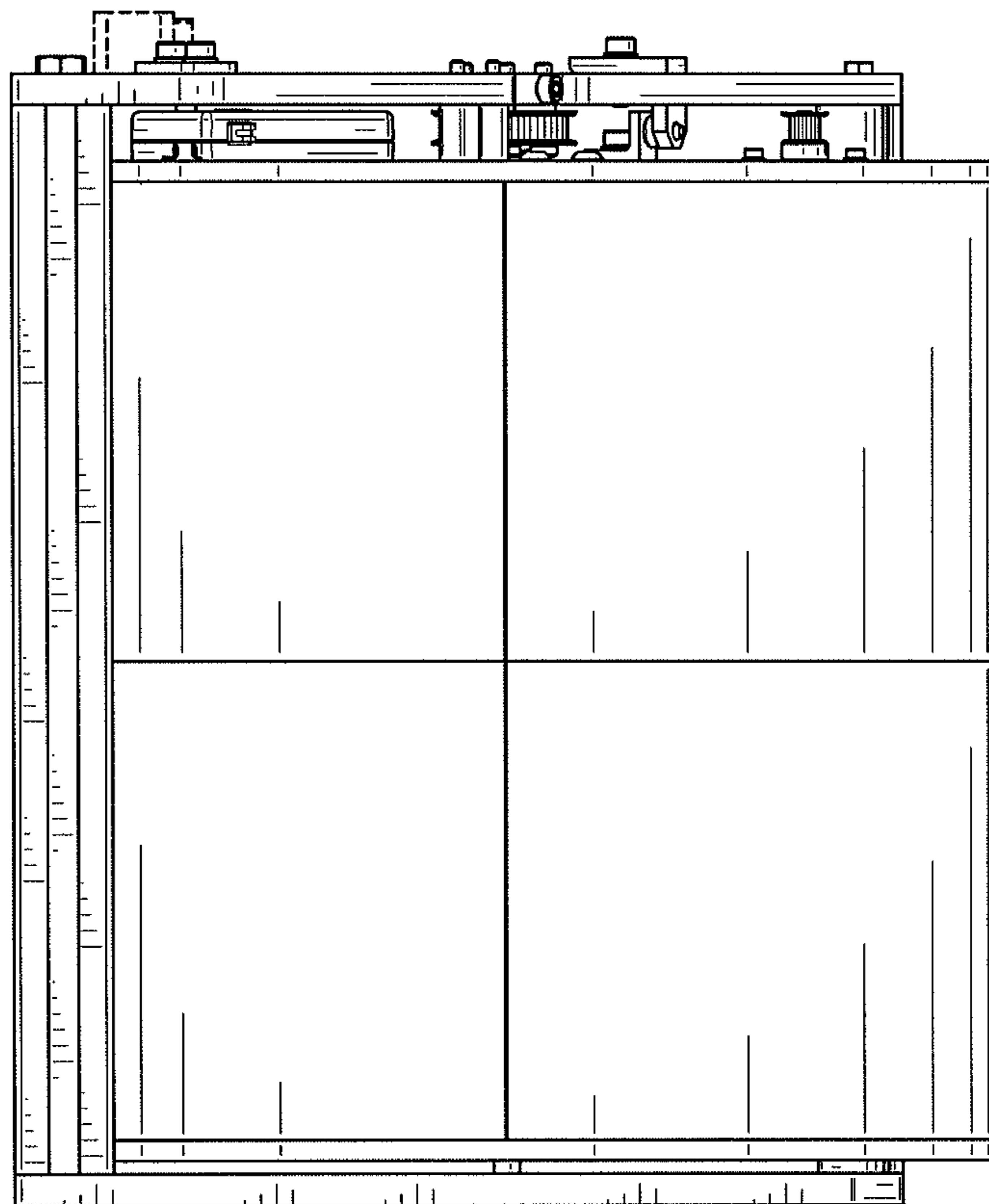


FIG. 10

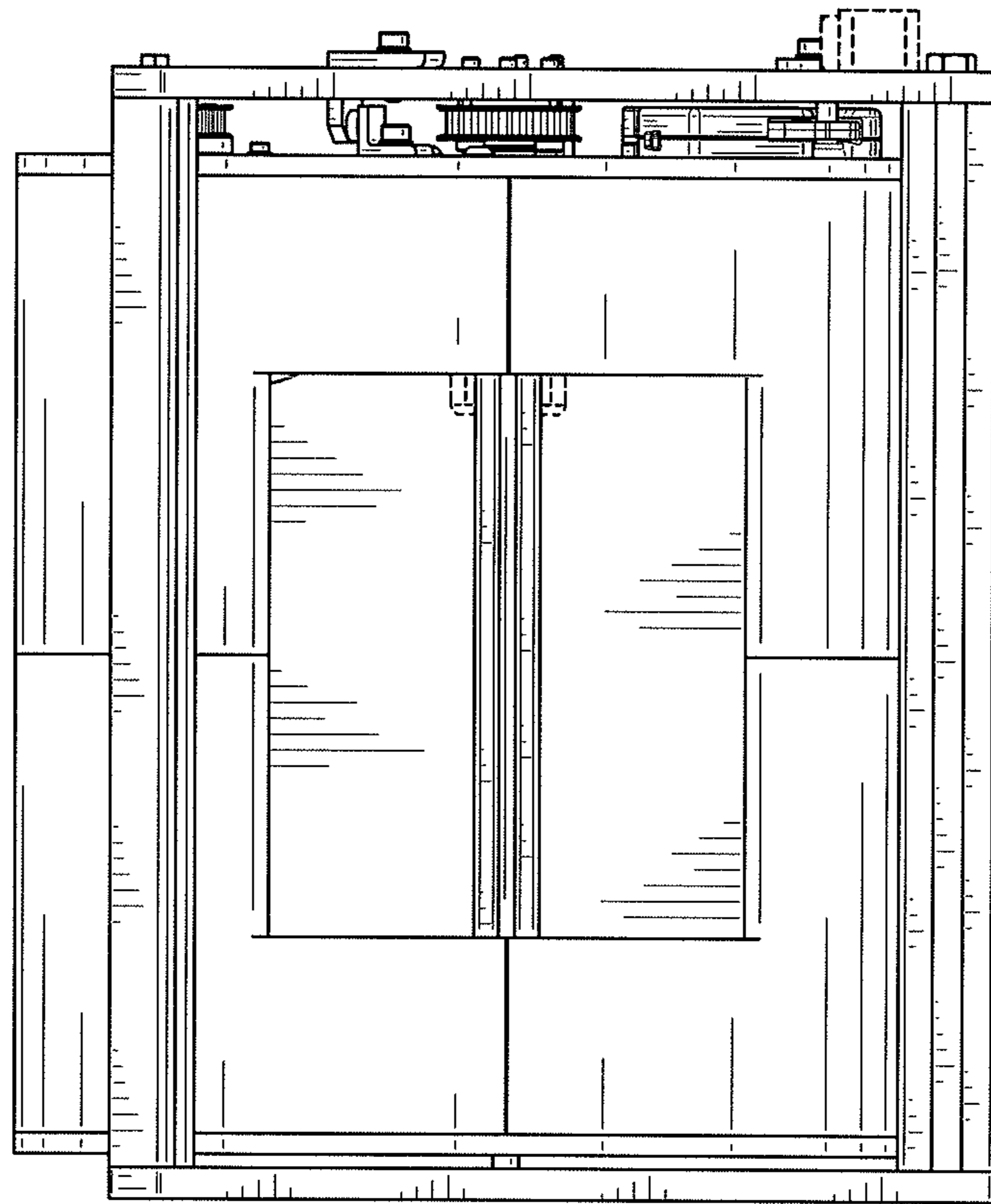


FIG. 11