



US00D904515S

(12) **United States Design Patent** (10) **Patent No.:** **US D904,515 S**  
**Lee et al.** (45) **Date of Patent:** **\*\* Dec. 8, 2020**

(54) **DISPENSER**

D709,553 S \* 7/2014 Yao ..... D19/86  
D718,386 S \* 11/2014 Packard ..... D19/86  
D745,603 S \* 12/2015 Zhang ..... D19/86  
2007/0268710 A1 11/2007 Skiba

(71) Applicant: **3M INNOVATIVE PROPERTIES COMPANY**, St. Paul, MN (US)

(72) Inventors: **Hyunjun Lee**, Gyeonggi-do (KR);  
**In-Hwan Lee**, Gyeonggi-do (KR);  
**Seung Youb Oh**, Gyeonggi-do (KR)

FOREIGN PATENT DOCUMENTS

EP 2 202 086 6/2010

(73) Assignee: **3M INNOVATIVE PROPERTIES COMPANY**, St. Paul, MN (US)

OTHER PUBLICATIONS

Post-it Super Sticky Pop-up Notes Dispenser for 3x3-Inch Notes, Designed for Car Visor, 3M Company, St. Paul, MN, retrieved from internet May 14, 2019, <<https://www.amazon.com/sticky-pop-up-dispenser-designed-includes/dp/b0008gnxhs>>.

(\*\*) Term: **15 Years**

\* cited by examiner

(21) Appl. No.: **29/691,293**

(22) Filed: **May 15, 2019**

*Primary Examiner* — Mark Booker

(51) **LOC (12) Cl.** ..... **19-02**

(74) *Attorney, Agent, or Firm* — Eric E. Silverman

(52) **U.S. Cl.**  
USPC ..... **D19/86**

(57) **CLAIM**

(58) **Field of Classification Search**  
USPC ..... D6/518, 314, 515; D9/734; D19/21, 75,  
D19/77, 78, 86-91, 92; 206/37.1, 38.1,  
206/39.5, 215, 233, 425, 449, 494, 555;  
221/45, 46, 48, 51, 52, 56, 59, 61, 63  
CPC ..... B65H 1/08; B65D 83/08; B65D 83/0805;  
B65D 83/0847; B65D 83/0894; B42D  
5/005; B42D 5/006; B42D 5/007; B42D  
5/008

The ornamental design for a dispenser, as shown and described.

See application file for complete search history.

**DESCRIPTION**

(56) **References Cited**

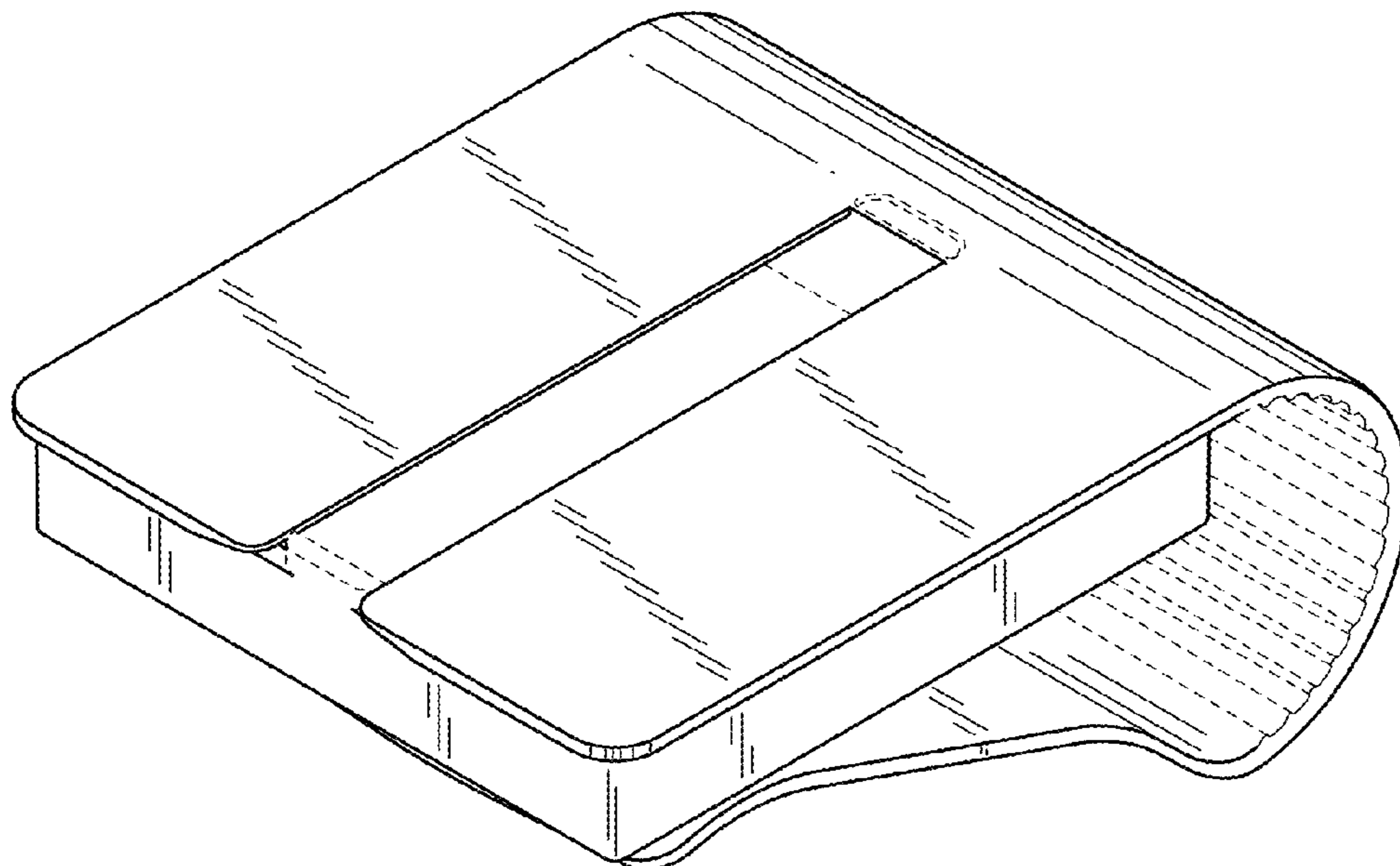
U.S. PATENT DOCUMENTS

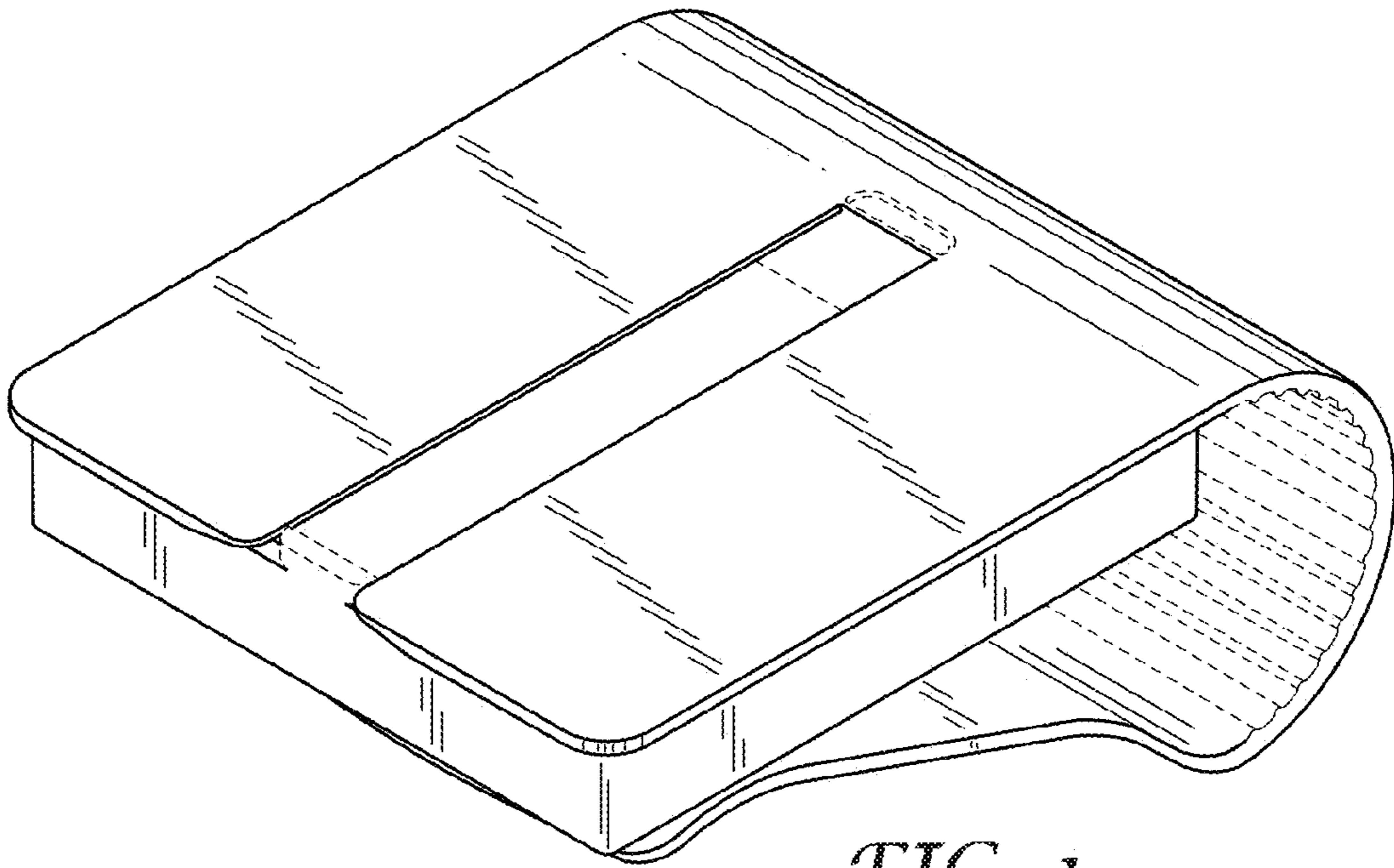
4,903,932 A 2/1990 Stewart, Jr.  
5,161,712 A 11/1992 Olson  
6,367,654 B1 4/2002 Simpson  
D508,531 S \* 8/2005 Hsu ..... D19/86  
D548,794 S \* 8/2007 Jour ..... D19/86  
D569,667 S \* 5/2008 Ovelar ..... D6/518

FIG. 1 is a perspective view showing a new design for a dispenser;  
FIG. 2 is a top view thereof;  
FIG. 3 is a front view thereof, a rear view being a mirror image thereof;  
FIG. 4 is a right side view thereof;  
FIG. 5 is a left side view thereof;  
FIG. 6 is a bottom view thereof; and,  
FIG. 7 is a perspective view thereof showing the dispenser with a note.

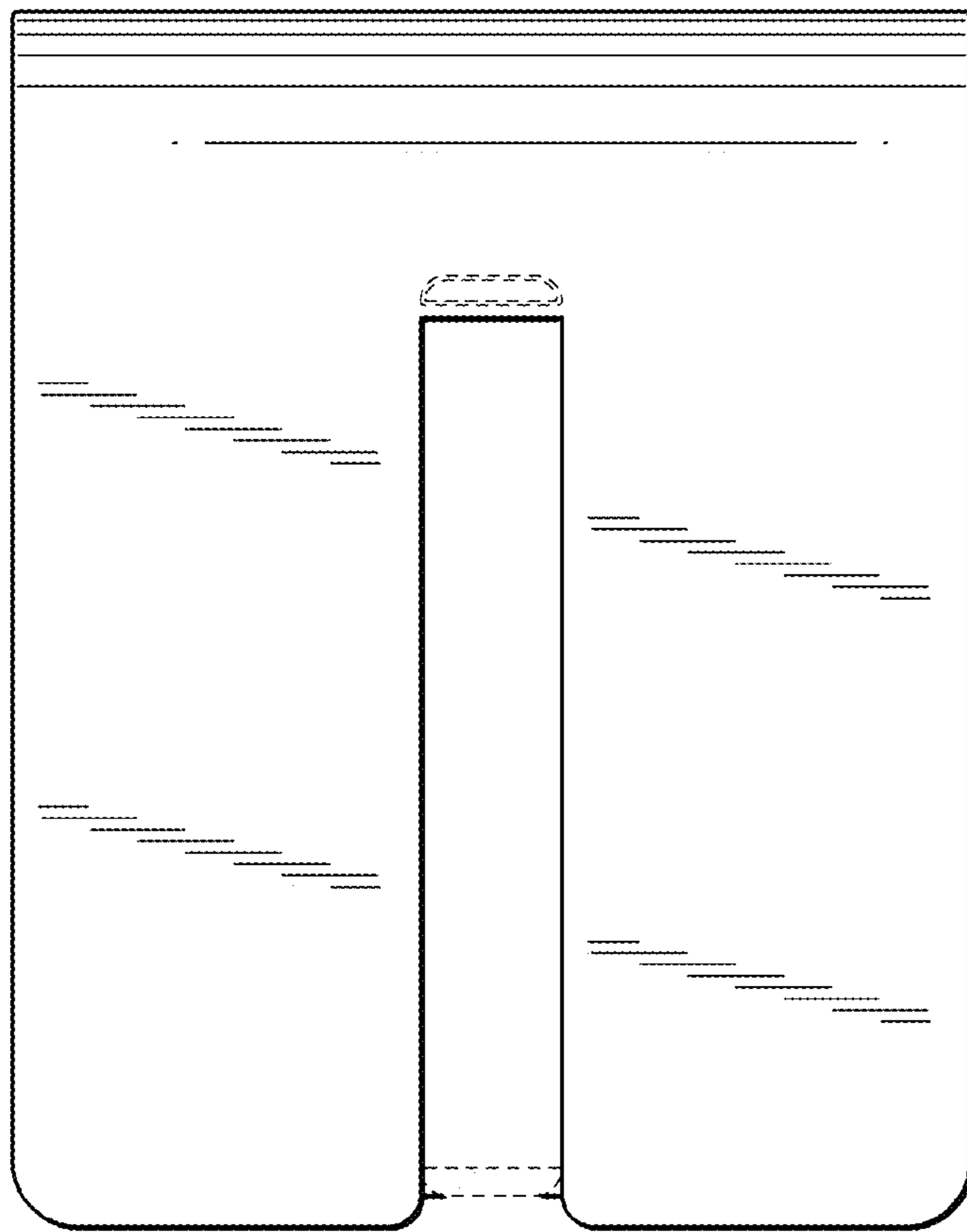
The portions of the dispenser in FIGS. 1-4, 6, and 7 shown in broken lines are included to show features that form no part of the claimed design.

**1 Claim, 3 Drawing Sheets**

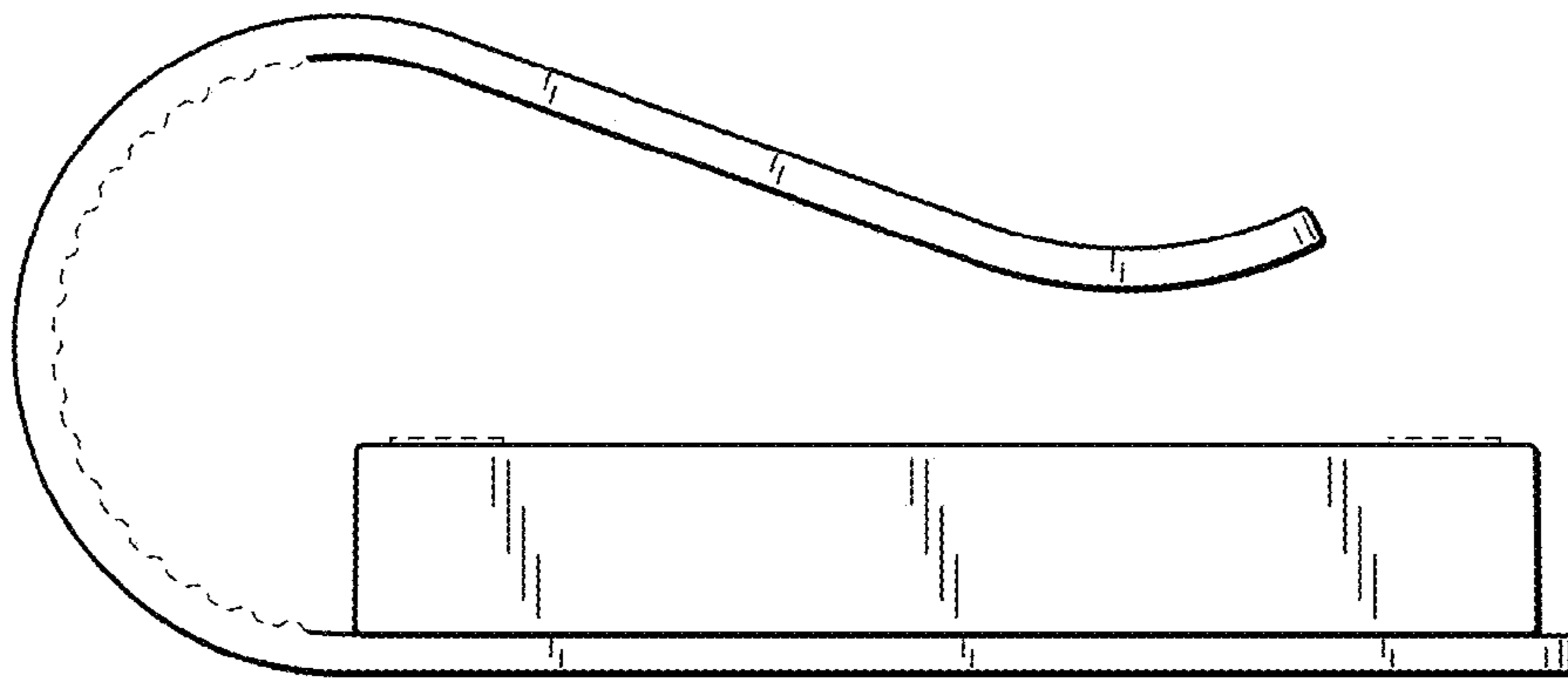




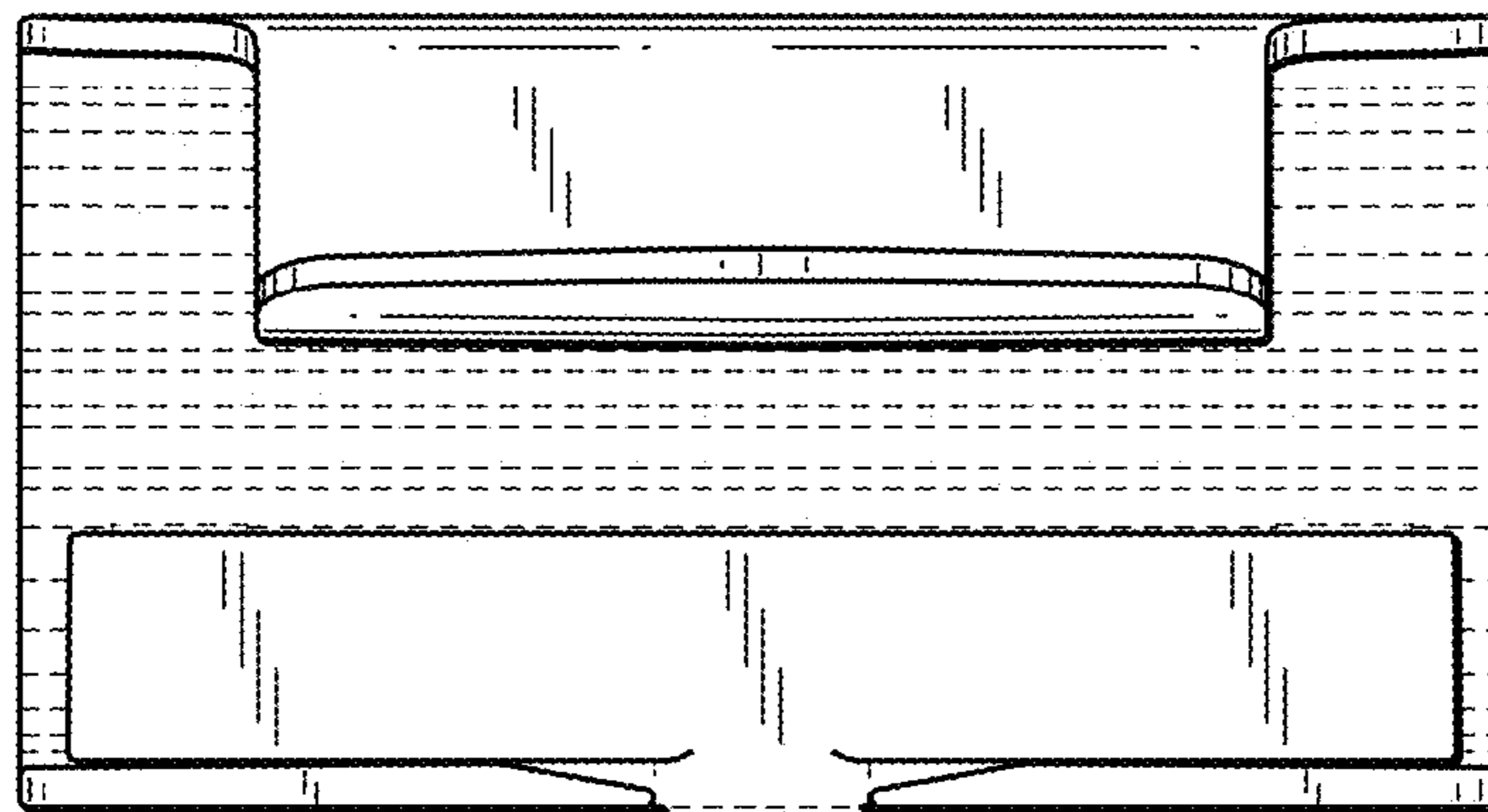
*FIG. 1*



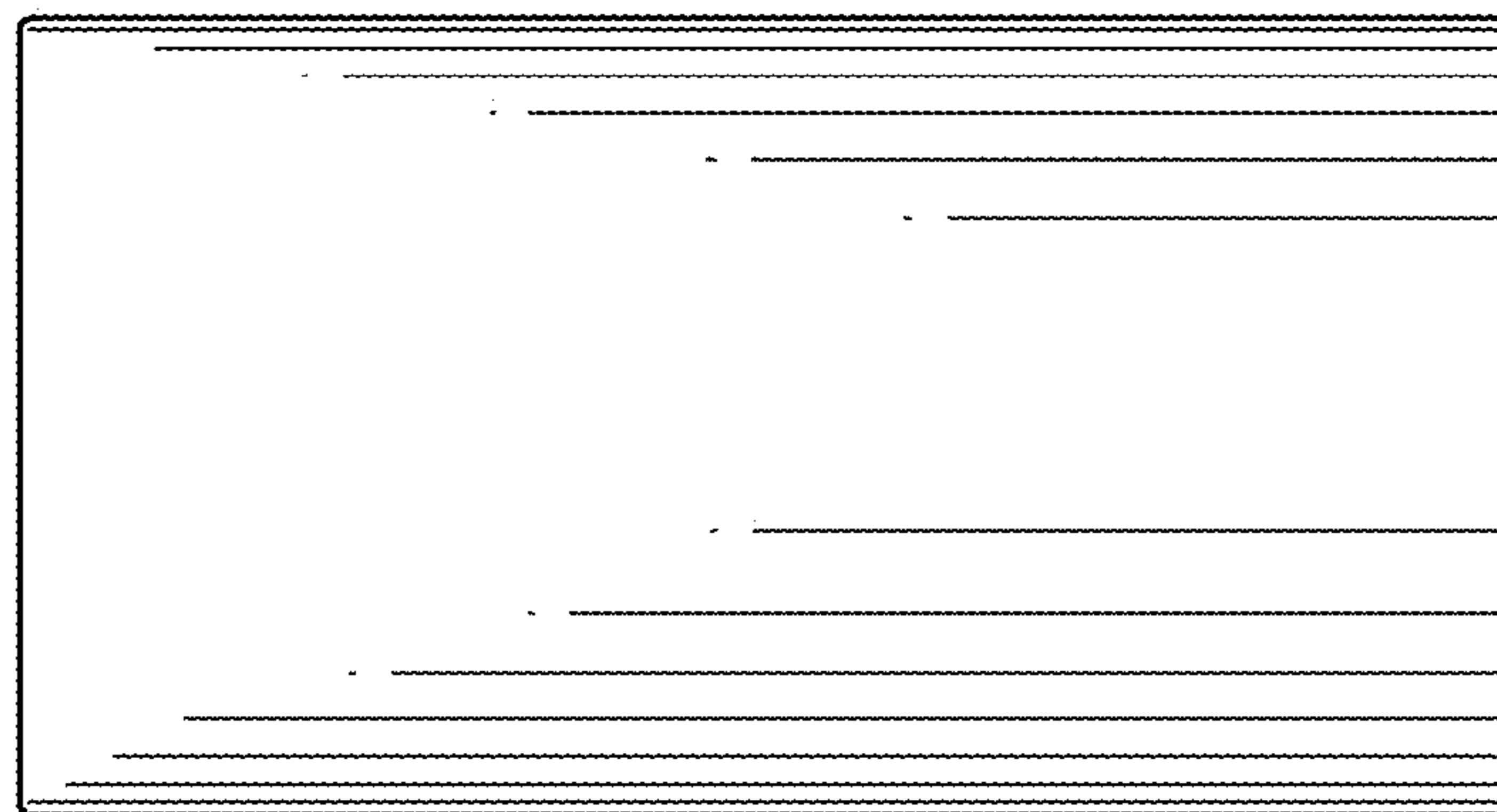
*FIG. 2*



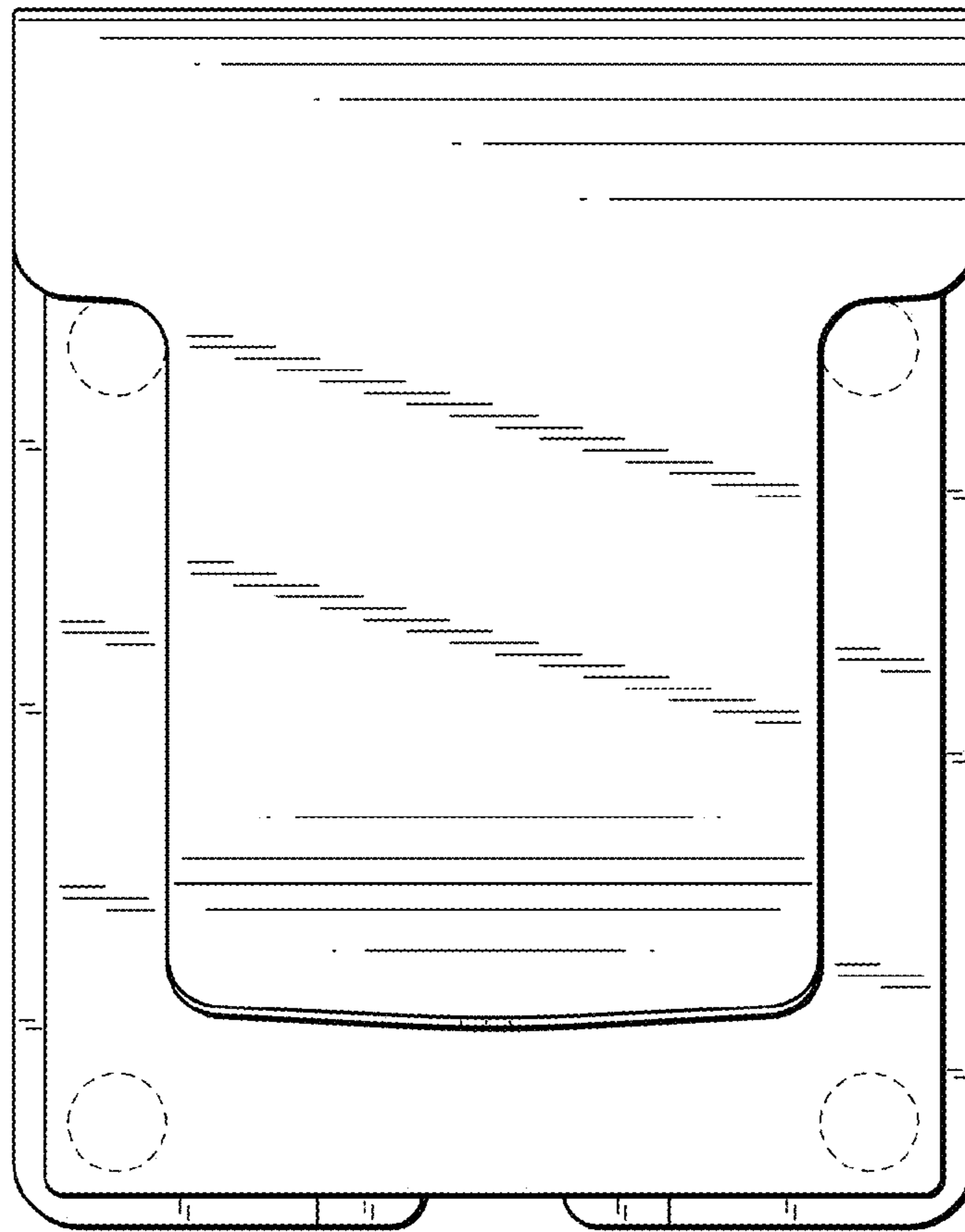
*FIG. 3*



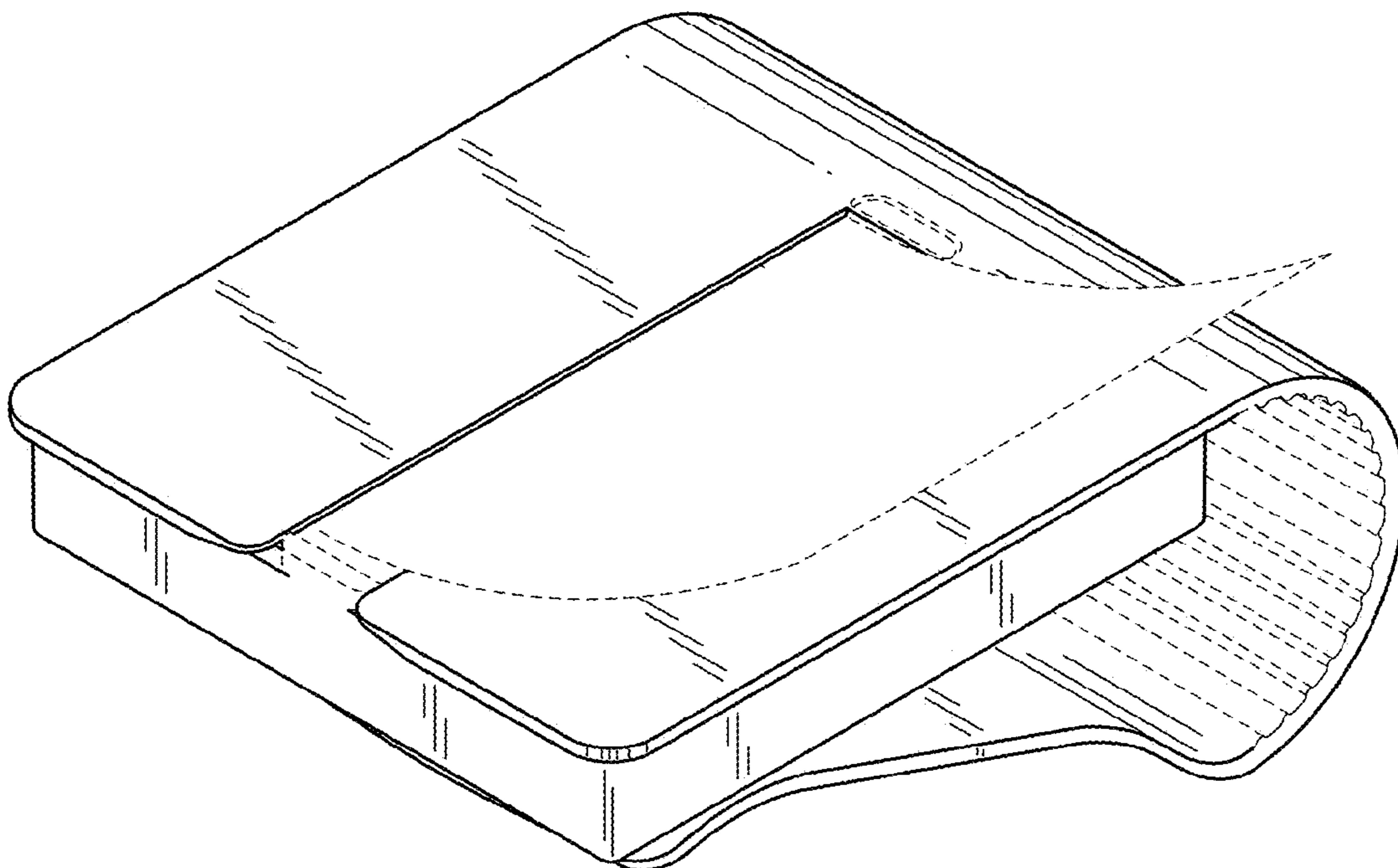
*FIG. 4*



*FIG. 5*



*FIG. 6*



*FIG. 7*