



US00D904514S

(12) **United States Design Patent** (10) **Patent No.:** **US D904,514 S**
Walls (45) **Date of Patent:** **** Dec. 8, 2020**

(54) **ROTARY DEVICE** 1,945,398 A * 1/1934 Gregg G09B 15/026
84/471 R
(71) Applicant: **Acoustic Walls, LLC**, Virginia, MN 1,947,686 A * 2/1934 Walsh G09B 15/00
(US) 84/471 R
D179,852 S * 3/1957 James et al. D7/707
(72) Inventor: **Joseph Bernard Walls**, Saint Paul, MN 2,832,252 A 4/1958 Gabriel
(US) 3,250,102 A * 5/1966 Howeler B21D 51/2676
72/40
3,558,871 A * 1/1971 Rogers F21V 35/00
362/161
(73) Assignee: **ACOUSTIC WALLS, LLC**, Virginia,
MN (US) 3,592,099 A 7/1971 Gibby
(Continued)

(**) Term: **15 Years**

(21) Appl. No.: **29/676,706**
(22) Filed: **Jan. 14, 2019**
(51) **LOC (12) Cl.** **19-07**
(52) **U.S. Cl.**
USPC **D19/64; D19/59; D19/60**
(58) **Field of Classification Search**
USPC D15/138, 139; D26/40, 114; D17/24,
D17/99; 175/331, 379, 404, 425;
407/53, 54; 112/231; 72/40, 191, 196,
72/197, 204; 408/199, 205, 207, 229;
D19/59, 60, 62, 64; D20/21; D6/659,
D6/660, 661, 661.3; 84/470 R, 471 R,
84/471 SR, 473, 480; 235/70 R;
D21/374
CPC .. B21D 51/2676; H04Q 9/02; H04Q 2209/84;
G01B 7/24; D05B 57/26; D05B 59/00;
G09B 15/026
See application file for complete search history.

(56) **References Cited**

U.S. PATENT DOCUMENTS

1,391,986 A * 9/1921 Smith G09B 1/20
434/402
1,566,860 A * 12/1925 Hainzigianis A47K 1/09
206/362.1
1,587,169 A * 6/1926 Mauck B21D 51/2676
29/243.517

OTHER PUBLICATIONS

Mode-Joe Instructional Video, published by Acoustic Walls on Jul. 29, 2019 [Online], [Site visited Jul. 20, 2020] Available From Internet , URL:<https://www.youtube.com/watch?v=akbMwfrK_Wc&feature=emb_title> (Year: 2019).*
(Continued)

Primary Examiner — Jeffrey D Asch
Assistant Examiner — Donald B Rose, Jr.
(74) *Attorney, Agent, or Firm* — Fredrikson & Byron, P.A.

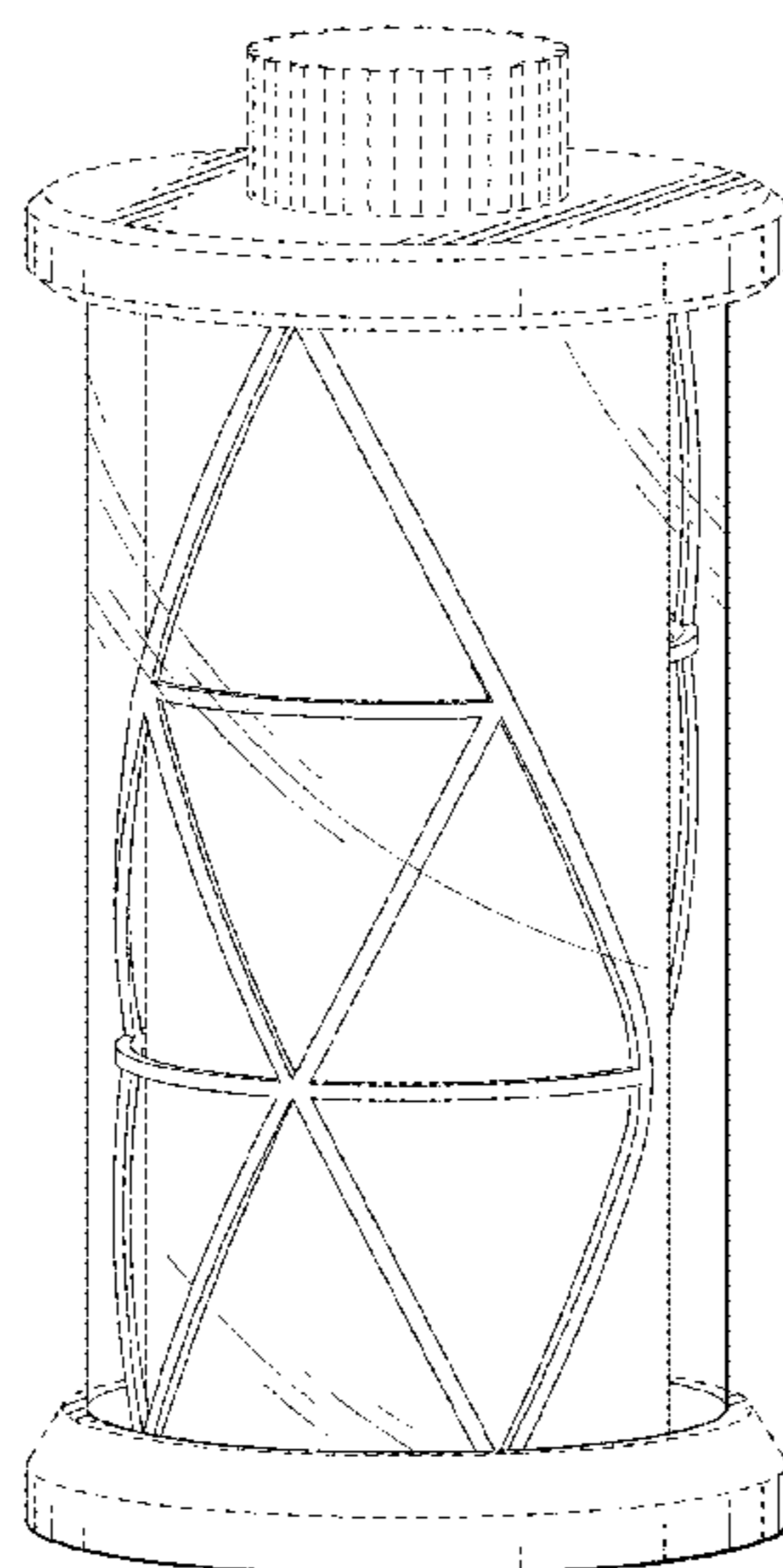
(57) **CLAIM**

I claim the ornamental design for a rotary device, as shown and described.

DESCRIPTION

FIG. 1 is a perspective view of my new design for a rotary device;
FIG. 2 is a front view thereof;
FIG. 3 is a rear view thereof;
FIG. 4 is a side view thereof;
FIG. 5 is an opposite side view thereof;
FIG. 6 is a top view thereof; and,
FIG. 7 is a bottom view thereof.
The broken lines show portions of the rotary device that form no part of the claimed design.

1 Claim, 3 Drawing Sheets



(56)

References Cited

U.S. PATENT DOCUMENTS

D249,311 S * 9/1978 Coulthurst D6/661.3
D292,932 S * 11/1987 McGinley 434/272
D335,595 S * 5/1993 Bowen D30/101
D342,547 S * 12/1993 Putman D19/64
D348,576 S * 7/1994 Narramore D6/661
5,429,029 A * 7/1995 Mendiola, Jr. G09B 15/006
84/471 R
D401,273 S * 11/1998 Mayers D19/26
D427,637 S * 7/2000 Wood D19/59
D457,004 S * 5/2002 Brown, Jr. D19/79
D542,962 S * 5/2007 Mellon D26/114
7,332,665 B2 2/2008 Haney
D622,318 S * 8/2010 Tsai D19/62
D699,299 S * 2/2014 Bruker D19/60
D843,038 S * 3/2019 Vyvey D26/40
2003/0167989 A1 * 9/2003 Lee D05B 57/26
112/231
2005/0279265 A1 * 12/2005 Chien D05B 59/00
112/231
2015/0009660 A1 * 1/2015 Lee F21V 15/012
362/186
2015/0379885 A1 * 12/2015 Paulovich G09B 15/00
84/471 R
2020/0158488 A1 * 5/2020 Hsiao G01D 5/145

OTHER PUBLICATIONS

Fleser, J., "The Chord Wheel: the Ultimate Tool for All Musicians,"
Oct. 19, 2012, retrieved on Sep. 19, 2019 from <http://johnfmorganmusic.com/img/Chord-Wheel.pdf>, 18 pgs.

* cited by examiner

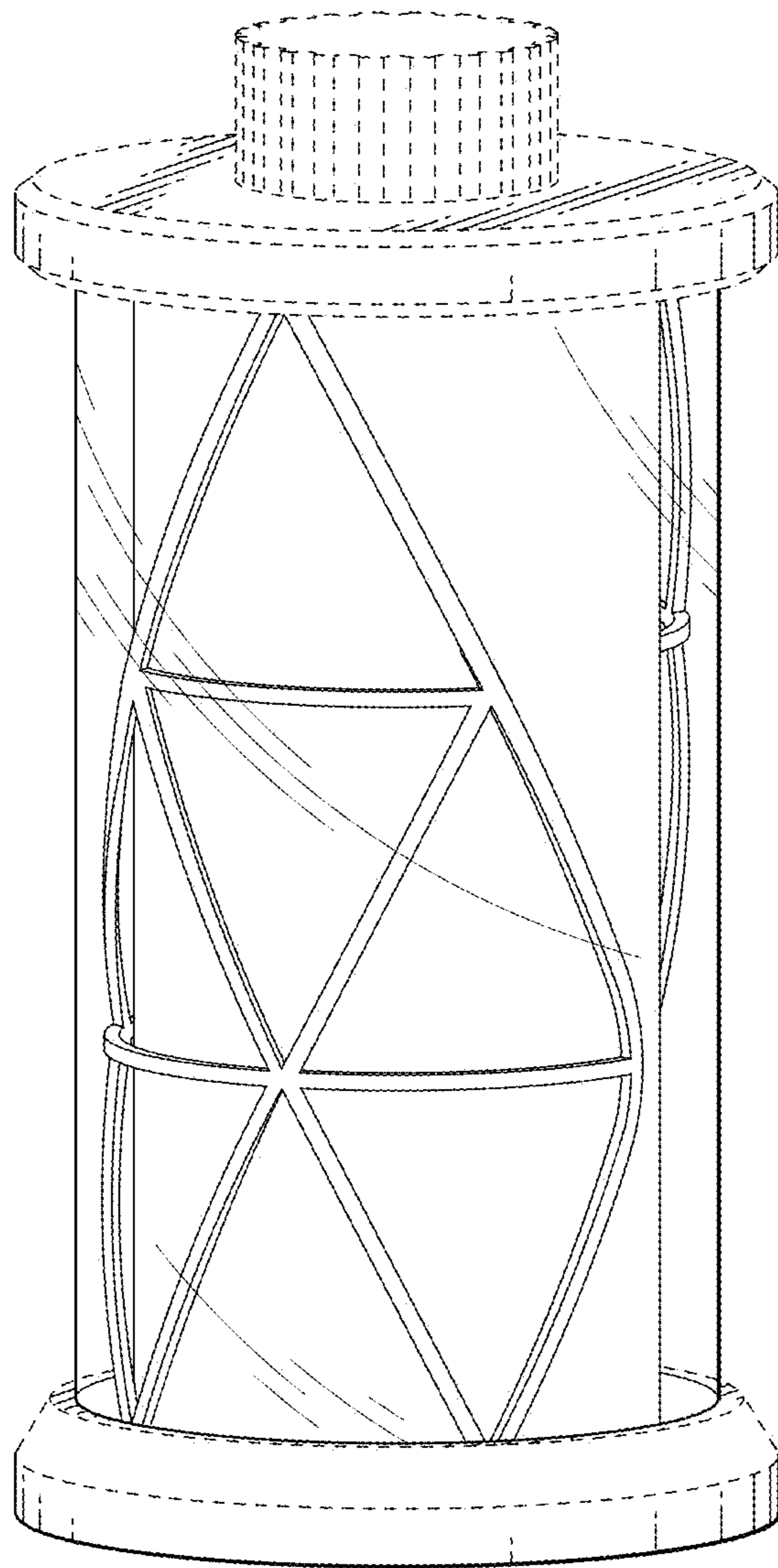


FIG. 1

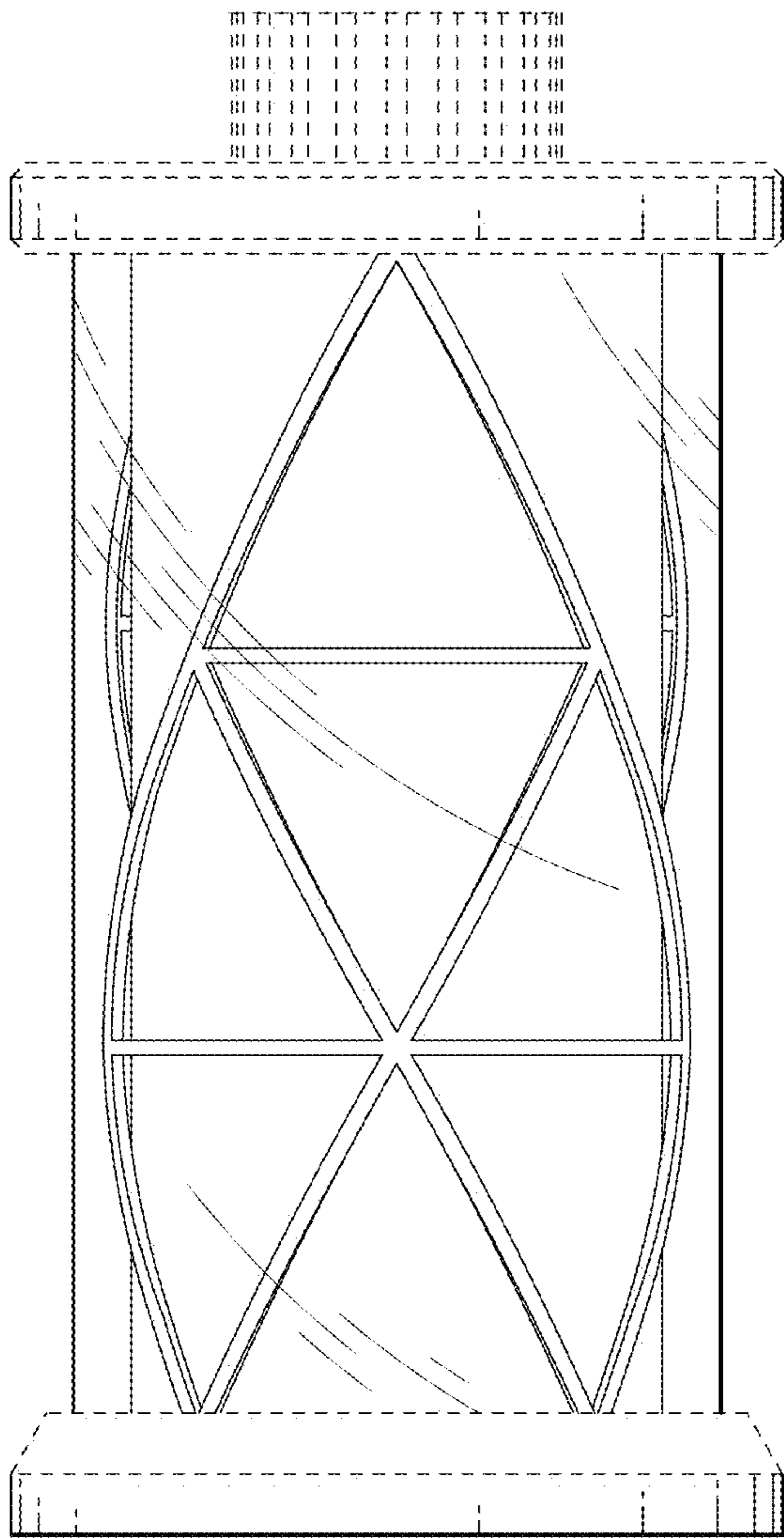


FIG. 2

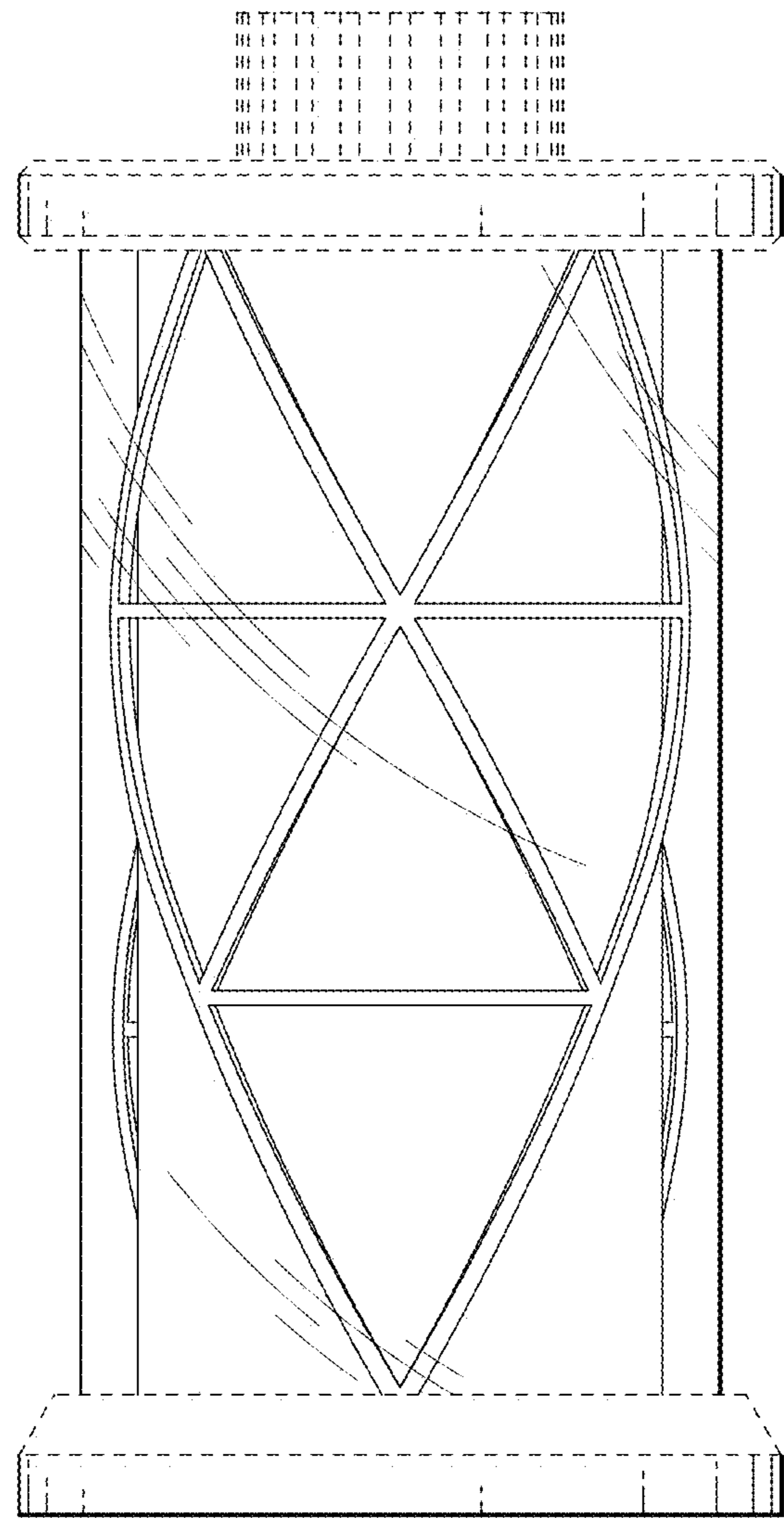


FIG. 3

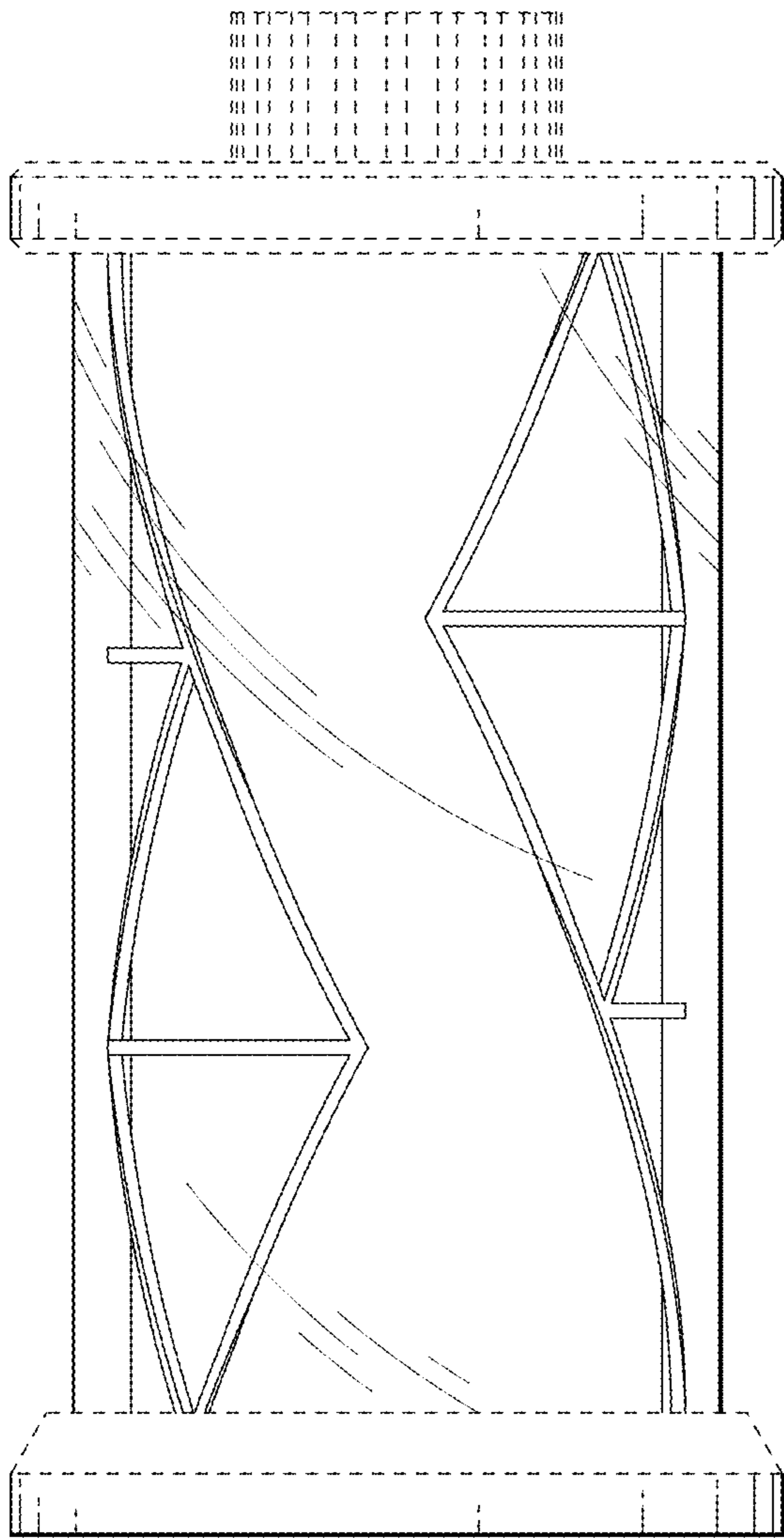


FIG. 4

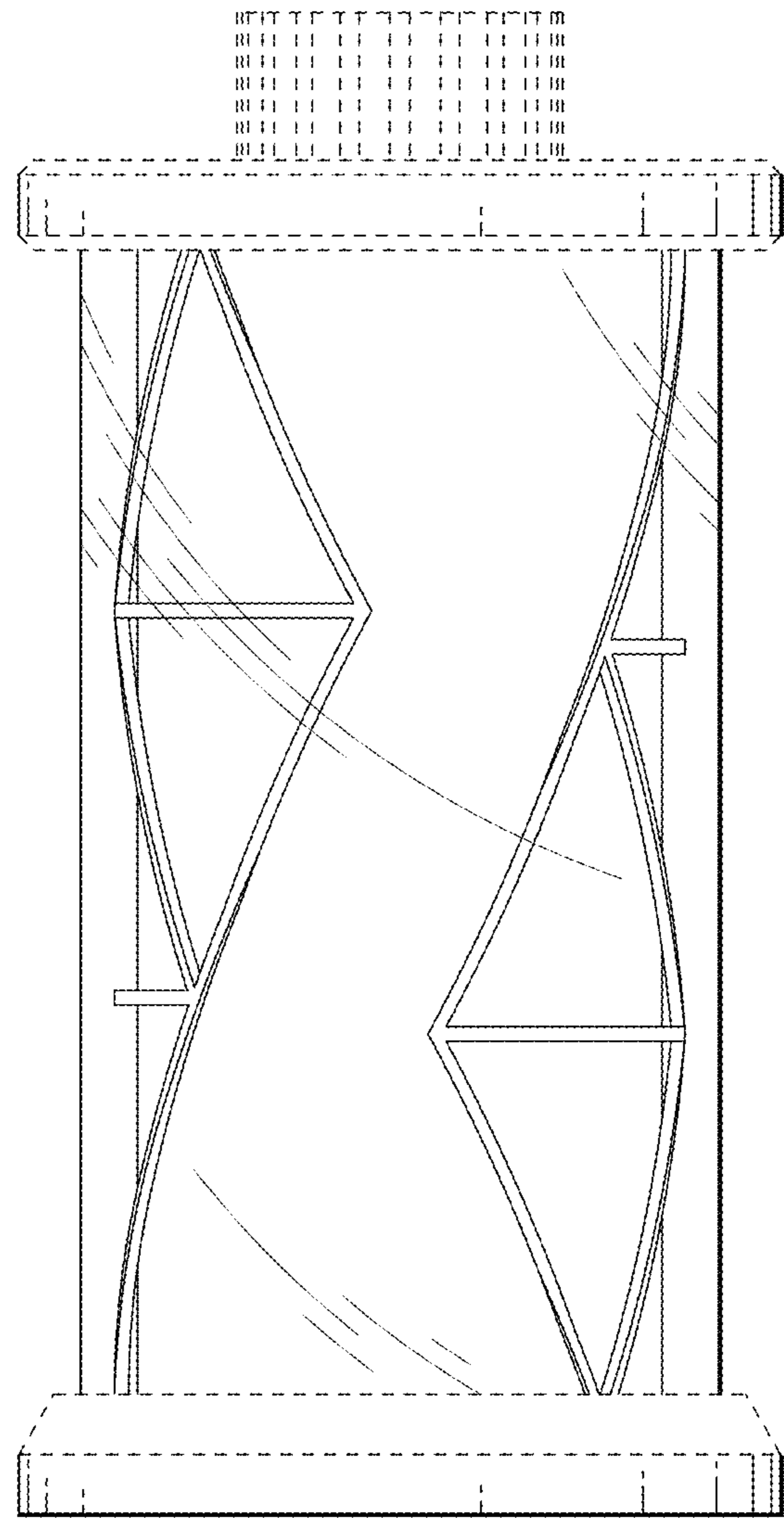


FIG. 5

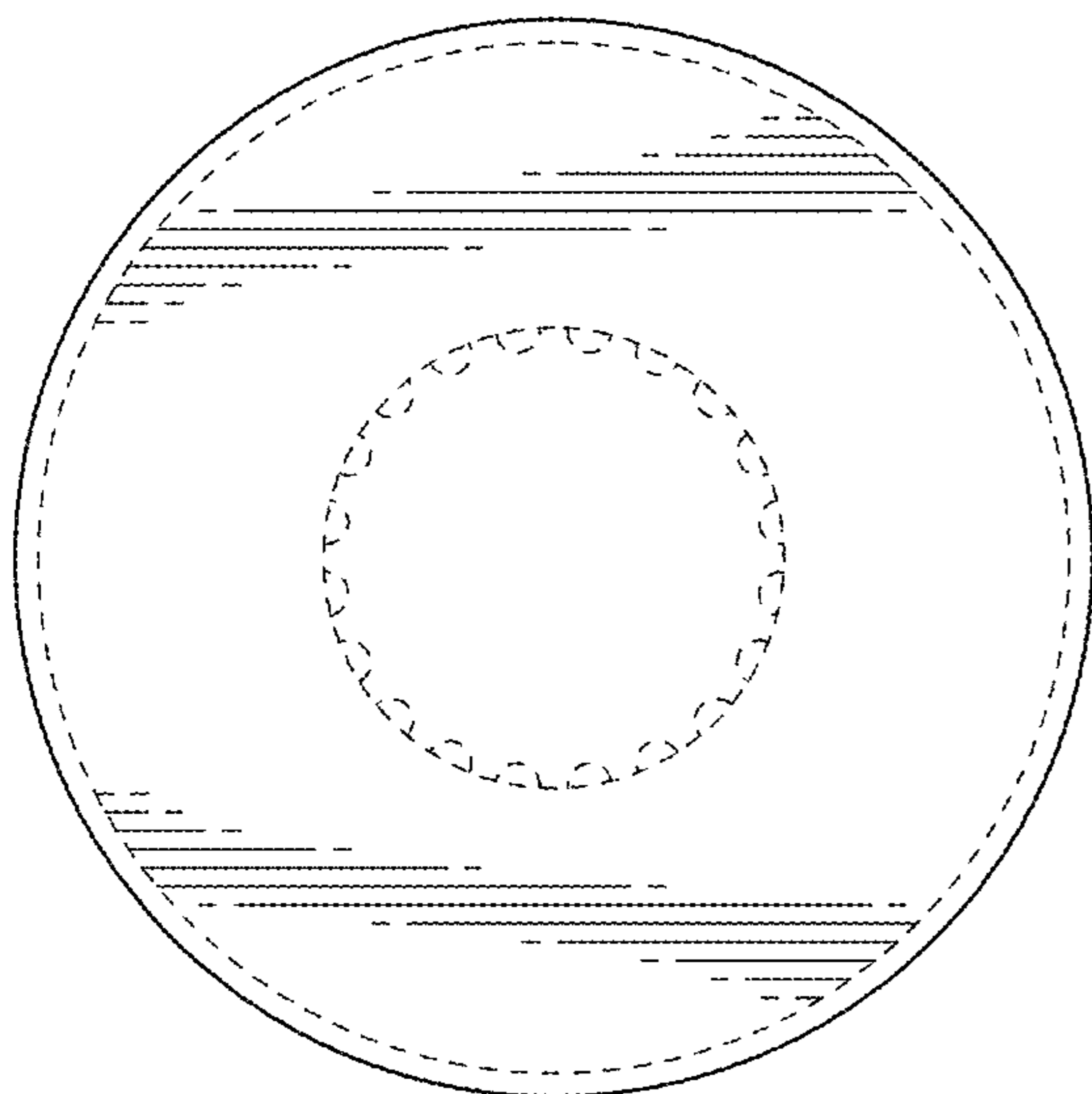


FIG. 6

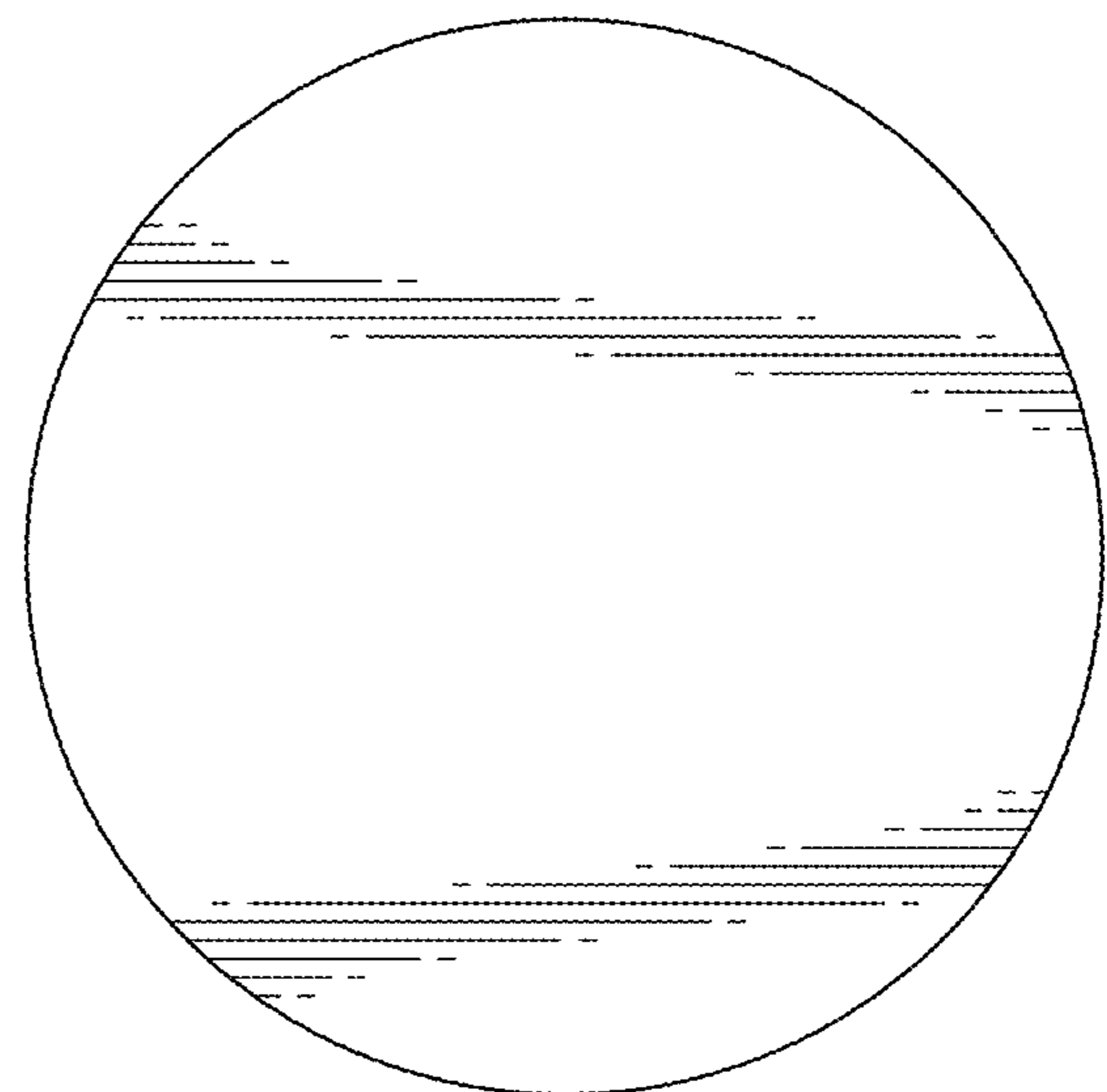


FIG. 7