



US00D904511S

(12) **United States Design Patent** (10) **Patent No.:** **US D904,511 S**
Hashimoto et al. (45) **Date of Patent:** **** Dec. 8, 2020**

(54) **TONER CARTRIDGE**

(71) Applicant: **KONICA MINOLTA, INC.**, Tokyo (JP)

(72) Inventors: **Yusuke Hashimoto**, Anjo (JP); **Naoki Nonoyama**, Toyokawa (JP); **Hiroshi Tanimoto**, Toyokawa (JP)

(73) Assignee: **KONICA MINOLTA, INC.**, Tokyo (JP)

(**) Term: **15 Years**

(21) Appl. No.: **29/673,260**

(22) Filed: **Dec. 13, 2018**

(30) **Foreign Application Priority Data**

Sep. 13, 2018 (JP) 2018-020033

(51) **LOC (12) Cl.** **16-03**

(52) **U.S. Cl.**
USPC **D18/43**

(58) **Field of Classification Search**
USPC D15/122, 135-138, 141, 66, 73, 76-78;
D18/53, 59, 50, 14, 19, 54-57, 36-45,
D18/34.4, 34.5, 34.6, 18, 51;
D14/301-303, 307, 345, 216; D6/691.4,
D6/675, 708; D13/107, 108; D9/435,
D9/448, 447, 454, 688, 772
CPC B41J 2/14; B41J 1/54; B41J 3/4073; B41J
3/4078; B41F 17/22; B41F 17/003; B41F
17/38; B28B 1/001; G03G 15/08; G03G
15/0891; G03G 15/0875; G03G
2215/0827; G03G 2215/0855; G03G
21/1842

See application file for complete search history.

(56) **References Cited**

U.S. PATENT DOCUMENTS

D431,593 S * 10/2000 Gumbe D18/40
D444,495 S * 7/2001 Taniguchi D18/43

D447,168 S * 8/2001 Nishimura D18/43
D471,582 S * 3/2003 Mori D18/40
D538,333 S * 3/2007 Nakajima D18/43
D540,375 S * 4/2007 Katsuyama D18/43

(Continued)

OTHER PUBLICATIONS

Office Action (Notification of Instruction) dated Apr. 2, 2019, by the Japanese Patent Office in corresponding Japanese Patent Application No. 2018-020033, and an English Translation of the Office Action. (4 pages).

(Continued)

Primary Examiner — Dana K Weiland

Assistant Examiner — Mary Claire Ramirez

(74) *Attorney, Agent, or Firm* — Buchanan Ingersoll & Rooney PC

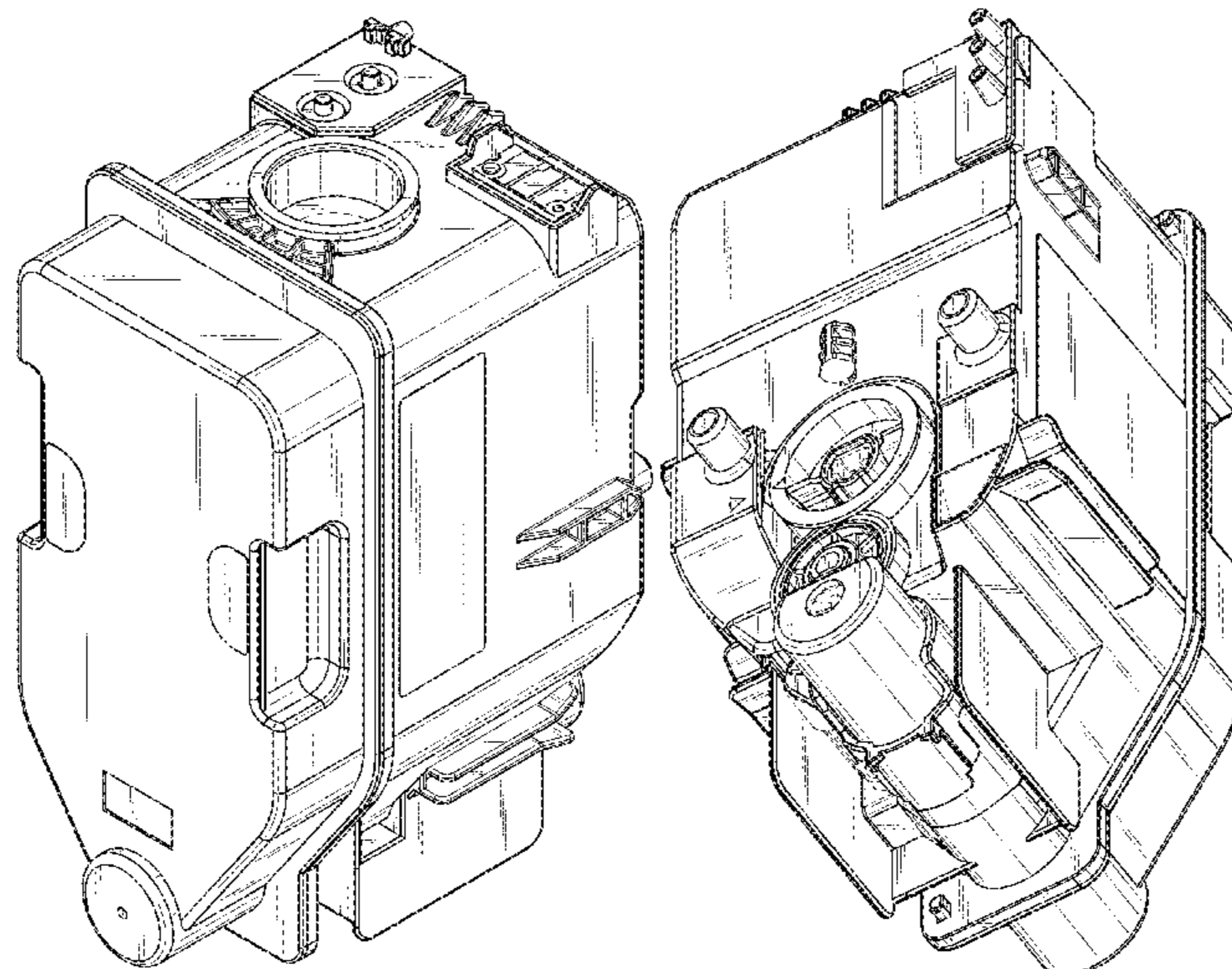
(57) **CLAIM**

The ornamental design for a toner cartridge, as shown and described.

DESCRIPTION

FIG. 1 is a front elevational view of a toner cartridge showing our new design;
FIG. 2 is a rear elevational view thereof;
FIG. 3 is a left side elevational view thereof;
FIG. 4 is a right side elevational view thereof;
FIG. 5 is a top plan view thereof;
FIG. 6 is a bottom plan view thereof;
FIG. 7 is a front, right and top perspective view thereof;
FIG. 8 is a rear, left and bottom perspective view thereof;
and,
FIG. 9 is a further perspective view thereof showing the toner cartridge in use.
The broken line showing of portions of the toner cartridge form no part of the claimed design. The broken lines showing toner cartridges in FIG. 9 are for environmental purposes only and form no part of the claimed design.

1 Claim, 9 Drawing Sheets



(56)

References Cited

U.S. PATENT DOCUMENTS

7,321,739 B1 * 1/2008 Dawson G03G 21/1846
 222/DIG. 1
 7,369,798 B2 * 5/2008 Sasae G03G 15/0875
 399/262
 7,593,653 B2 * 9/2009 Richey G03G 15/0856
 399/258
 7,606,520 B2 * 10/2009 Dawson G03G 15/0855
 399/260
 D644,683 S * 9/2011 Kawai D18/43
 D647,558 S * 10/2011 Eto D18/43
 D648,776 S * 11/2011 Saito D18/43
 D648,777 S * 11/2011 Saito D18/43
 D648,778 S * 11/2011 Saito D18/43
 D648,779 S * 11/2011 Saito D18/43
 D659,751 S * 5/2012 Okamoto D18/43
 D659,752 S * 5/2012 Okamoto D18/43
 D661,344 S * 6/2012 Okamoto D18/43
 D662,542 S * 6/2012 Nagashima D18/43
 D697,549 S * 1/2014 Wakimoto D18/43
 D707,751 S * 6/2014 Wakimoto D18/43
 D707,752 S * 6/2014 Wakimoto D18/43
 D759,154 S * 6/2016 Williamson D18/43

D759,155 S * 6/2016 Williamson D18/43
 D759,156 S * 6/2016 Williamson D18/43
 D759,157 S * 6/2016 Williamson D18/43
 D788,841 S * 6/2017 Sue D18/43
 D788,842 S * 6/2017 Sue D18/43
 D894,268 S * 8/2020 Hashimoto D18/43
 2008/0145110 A1 * 6/2008 Dawson G03G 21/1647
 399/262
 2009/0097886 A1 * 4/2009 Yoshizawa G03G 15/0875
 399/263
 2010/0322676 A1 * 12/2010 Dawson G03G 15/0896
 399/262
 2013/0287448 A1 * 10/2013 Baker G03G 15/0886
 399/260
 2020/0012212 A1 * 1/2020 Hashimoto G03G 15/0887
 2020/0125008 A1 * 4/2020 Suzuki G03G 15/161

OTHER PUBLICATIONS

Office Action (Notification of Reasons for Refusal) dated Apr. 2, 2019, by the Japanese Patent Office in corresponding Japanese Patent Application No. 2018-020033, and an English Translation of the Office Action. (4 pages).

* cited by examiner

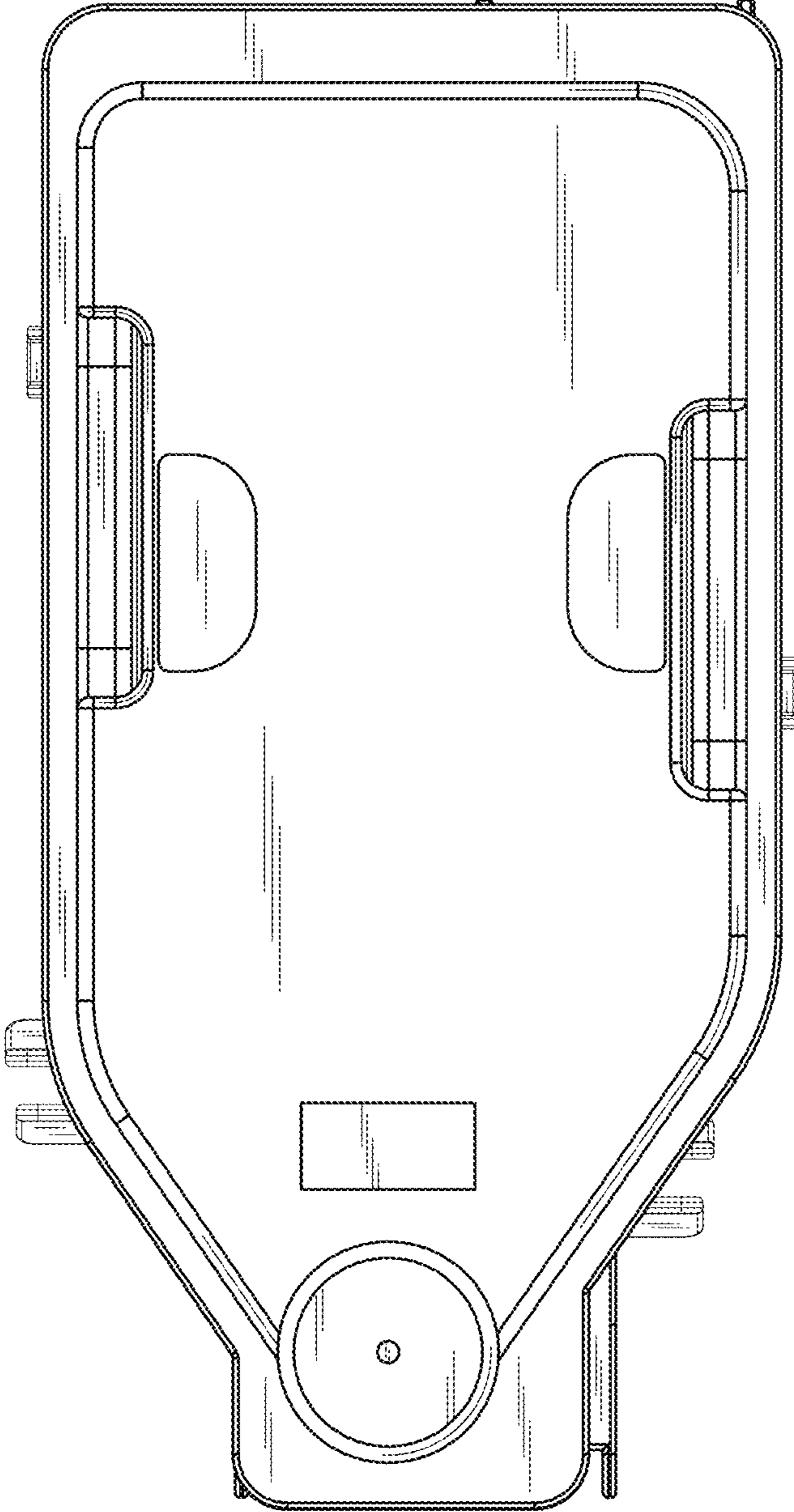


FIG. 1

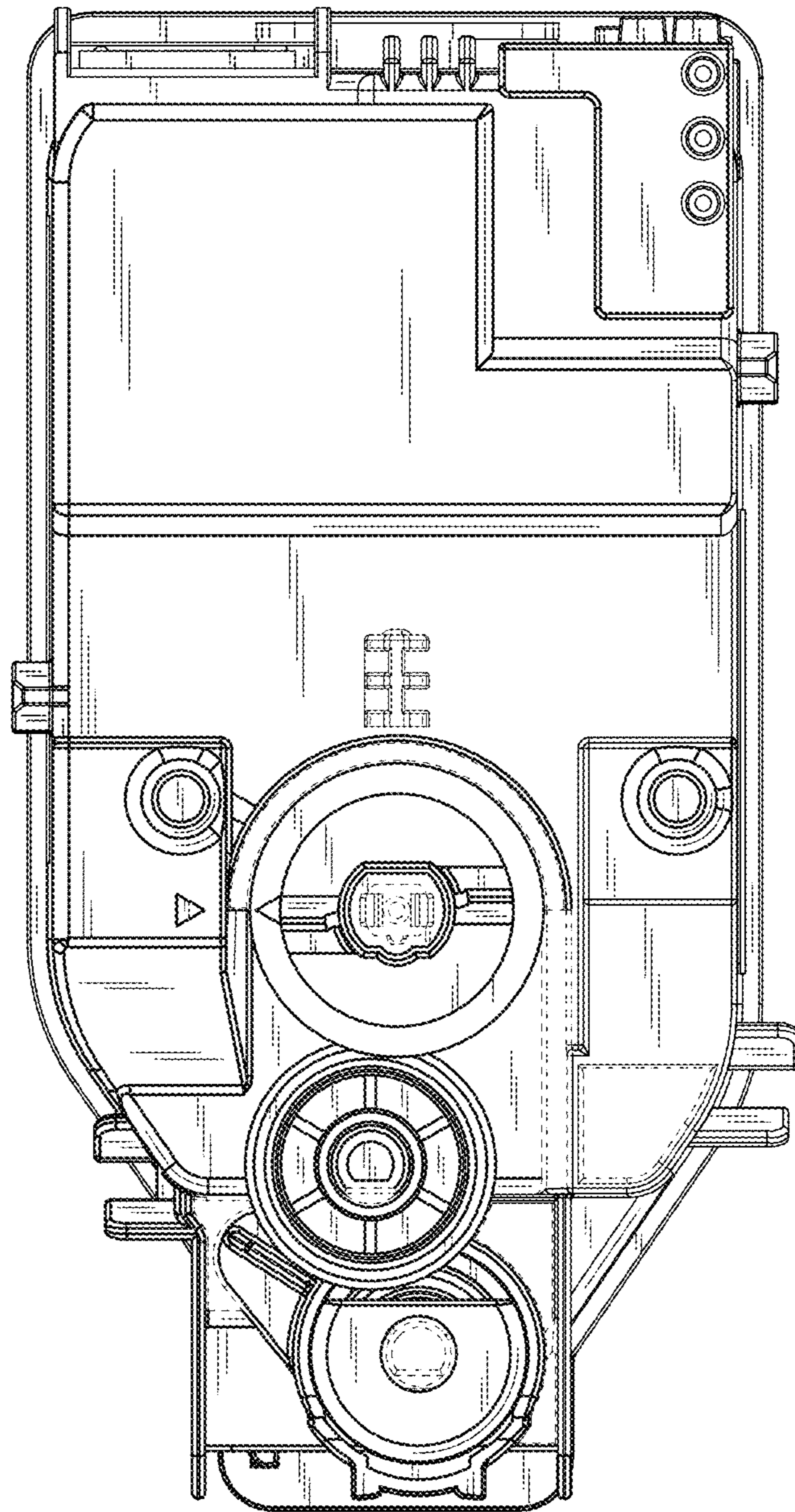


FIG. 2

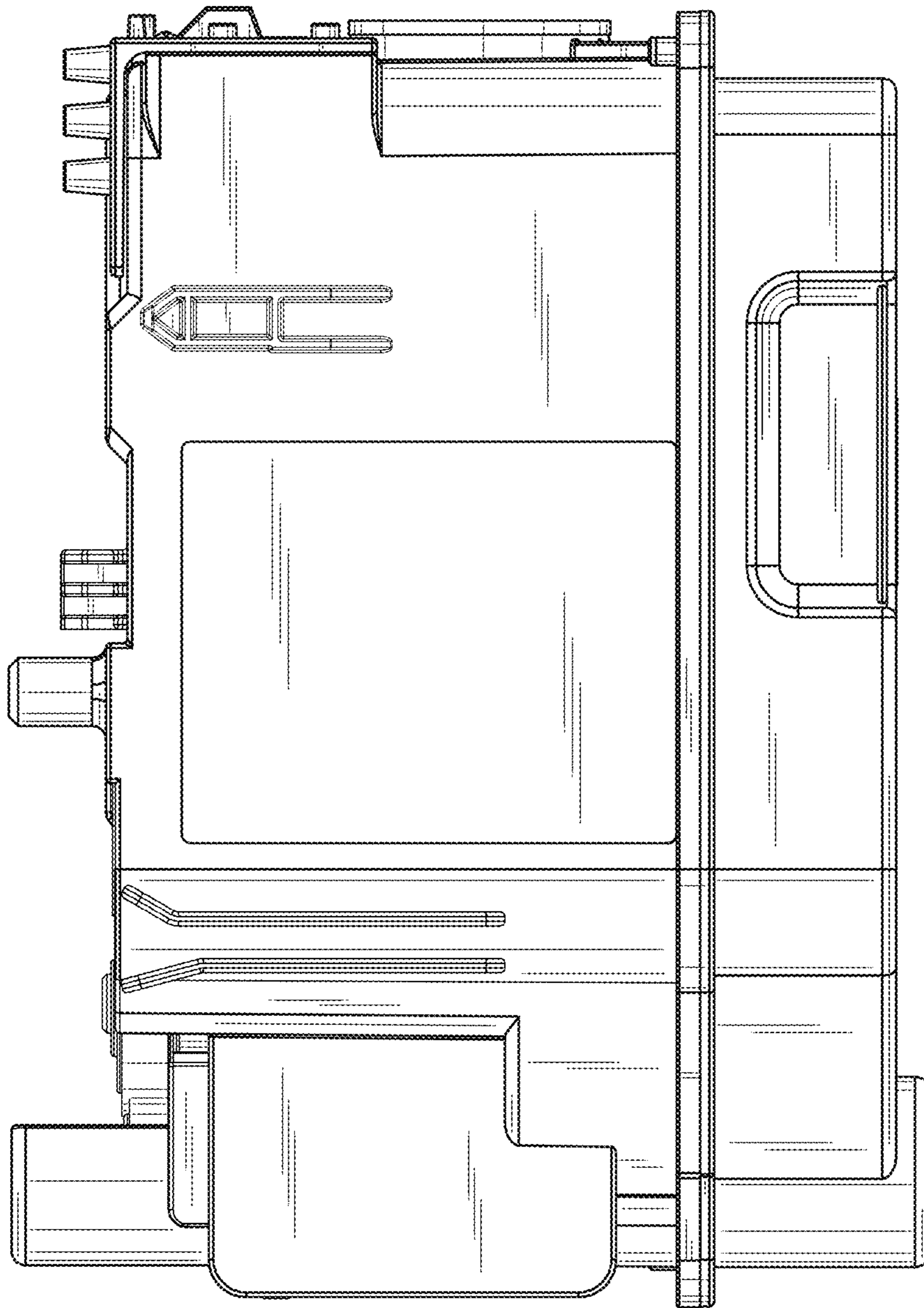


FIG. 3

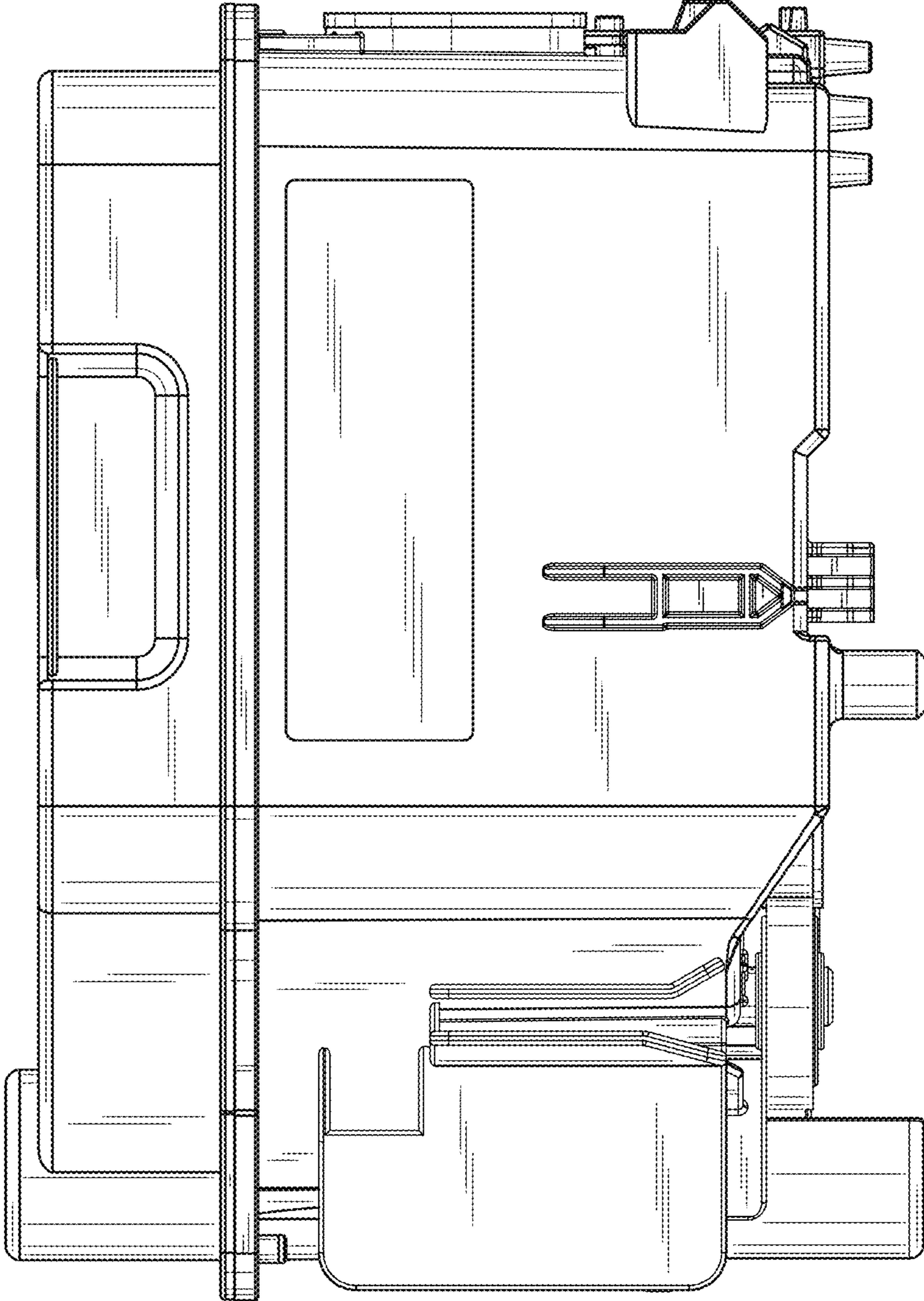


FIG. 4

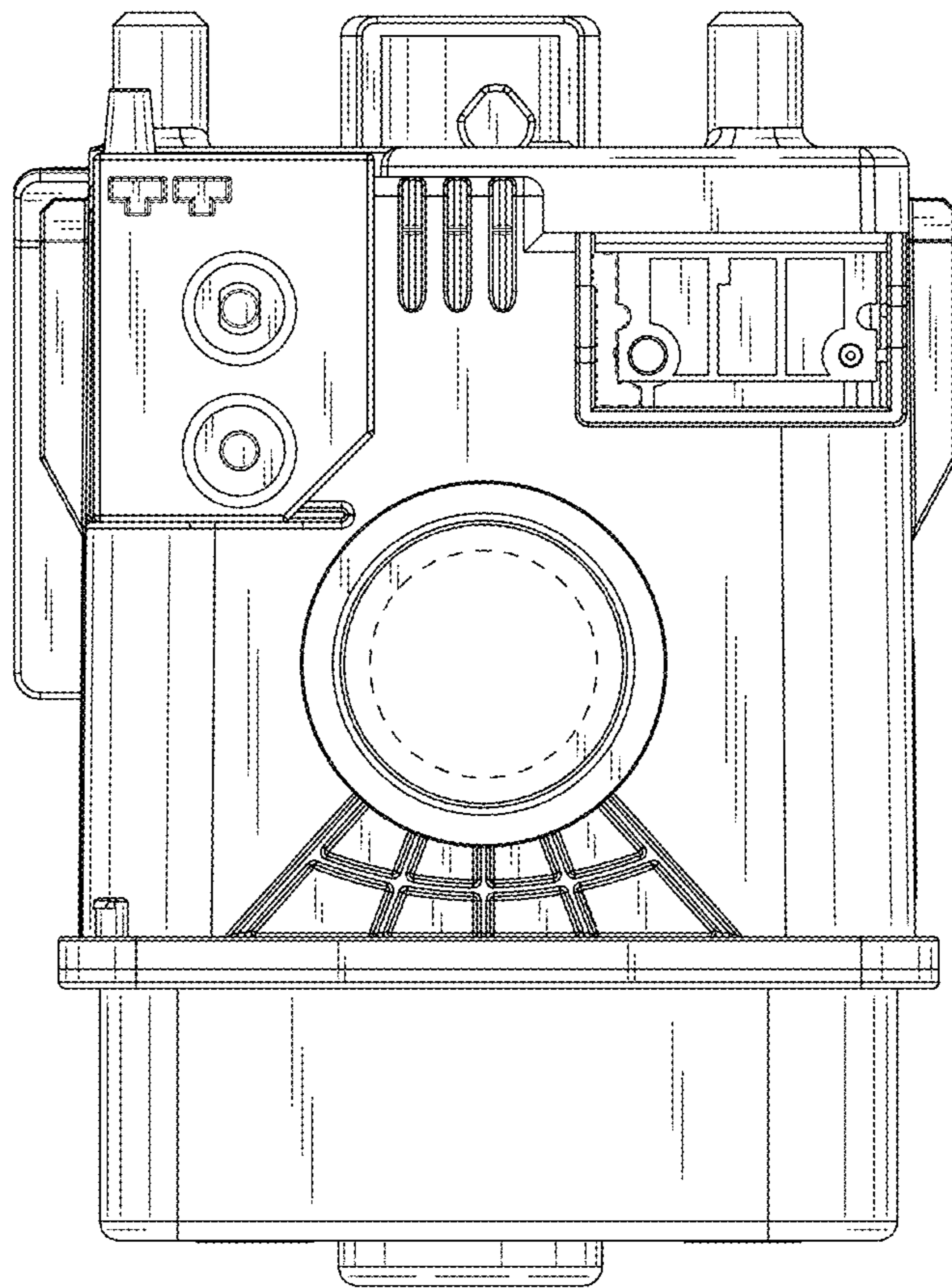


FIG. 5

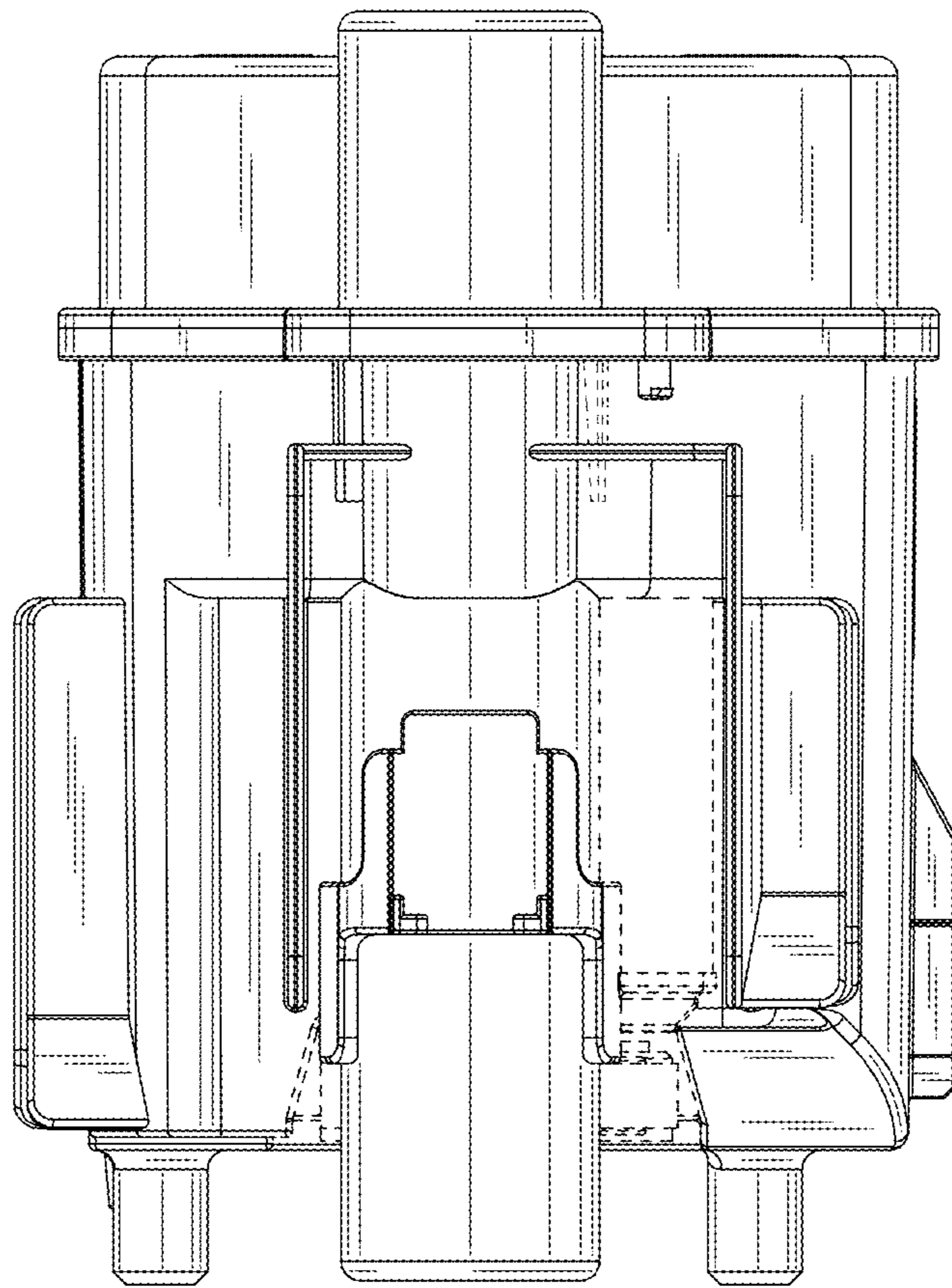


FIG. 6

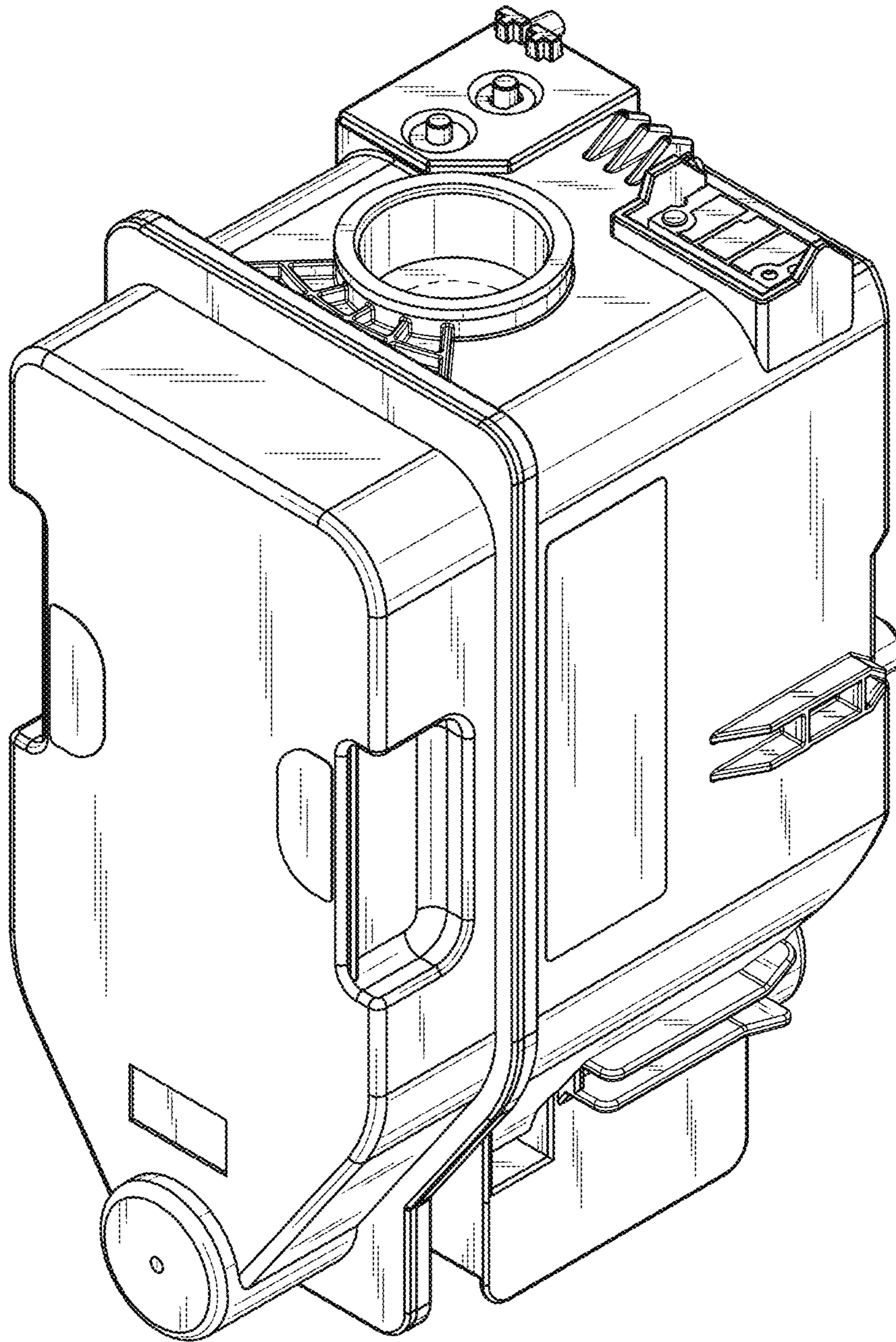


FIG. 7

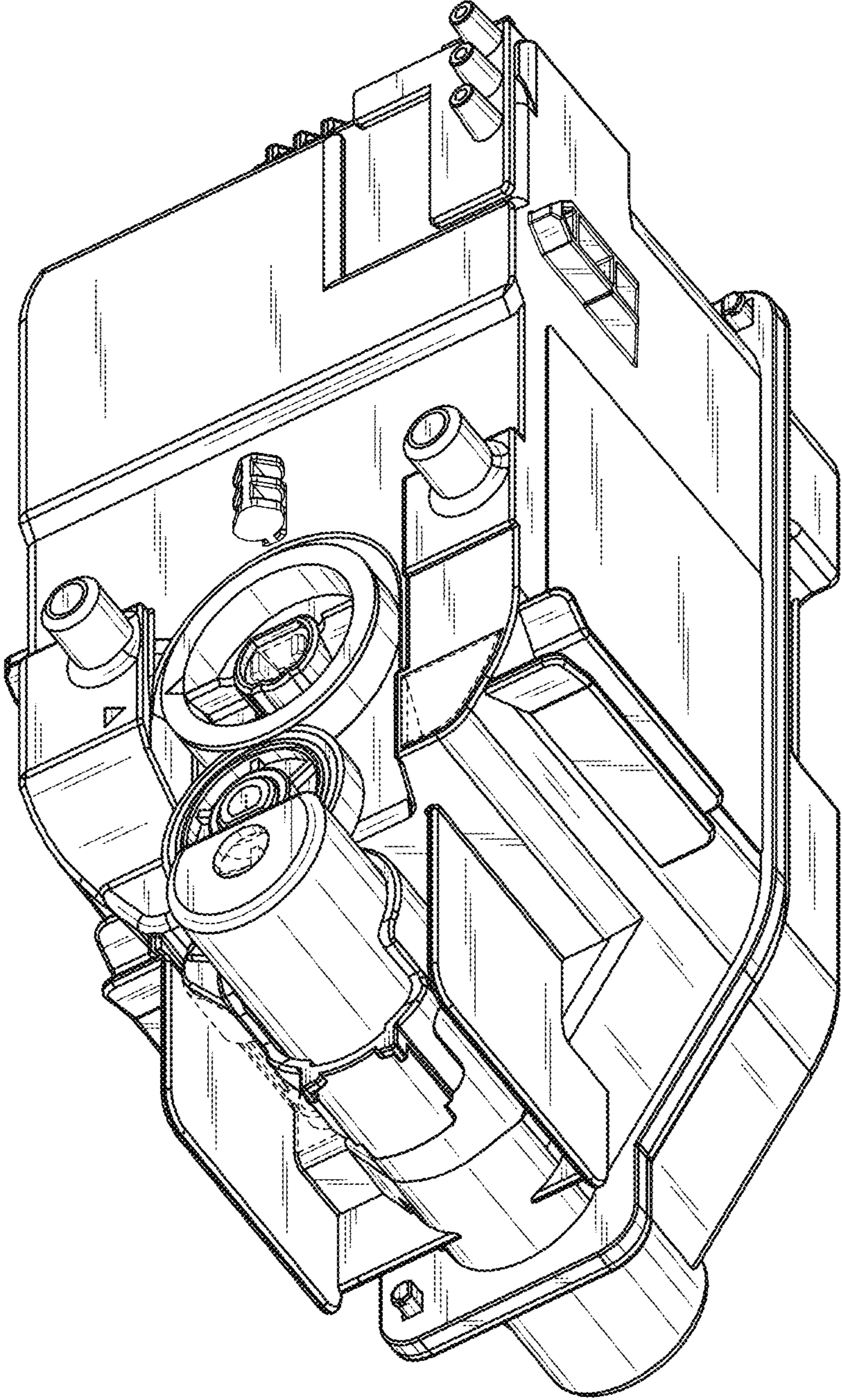


FIG. 8

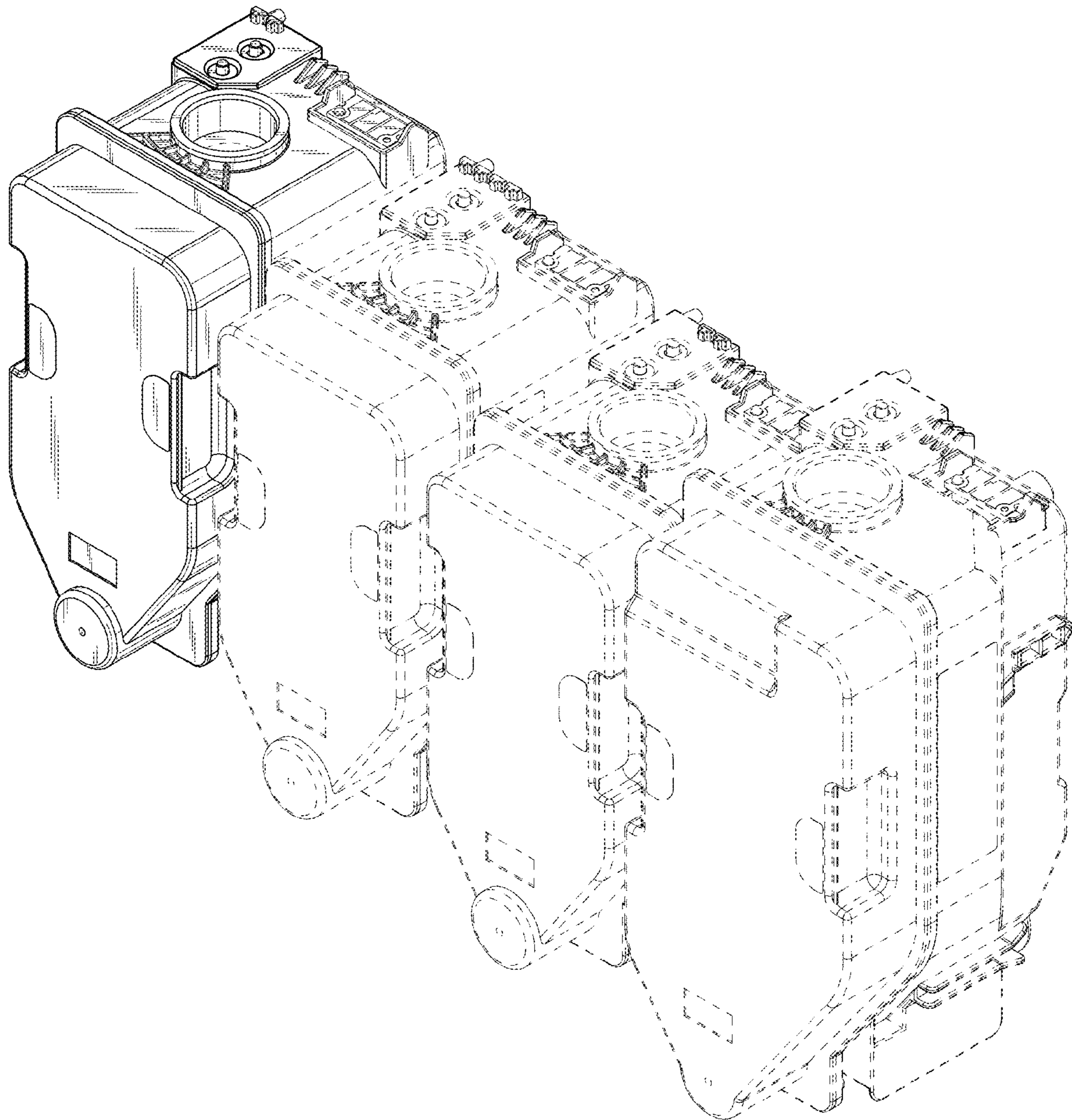


FIG. 9