



US00D904506S

(12) **United States Design Patent** (10) **Patent No.:** **US D904,506 S**  
**Yamada et al.** (45) **Date of Patent:** **\*\* Dec. 8, 2020**

(54) **MOBILE PRINTER**

FOREIGN PATENT DOCUMENTS

(71) Applicants: **Kazuyoshi Yamada**, Tokyo (JP); **Naoto Tsuruoka**, Tokyo (JP); **Kunihiko Nishioka**, Tokyo (JP); **Yasunari Harada**, Tokyo (JP)

CN 304642784 \* 5/2018  
DE 49809641-0001 \* 5/1999

(Continued)

(72) Inventors: **Kazuyoshi Yamada**, Tokyo (JP); **Naoto Tsuruoka**, Tokyo (JP); **Kunihiko Nishioka**, Tokyo (JP); **Yasunari Harada**, Tokyo (JP)

OTHER PUBLICATIONS

Ricoh. Link: <https://www.ricoh.com/technology/design/designers/ricoh-handy-printer/>. Visited Mar. 3, 2020. Product Designer Kanako Ishigure. (Year: 2020).\*

(Continued)

(73) Assignee: **Ricoh Company, Ltd.**, Tokyo (JP)

(\*\*) Term: **15 Years**

*Primary Examiner* — Lauren D McVey

(21) Appl. No.: **29/680,999**

(74) *Attorney, Agent, or Firm* — Oblon, McClelland, Maier & Neustadt, L.L.P.

(22) Filed: **Feb. 21, 2019**

(30) **Foreign Application Priority Data**

(57) **CLAIM**

Sep. 6, 2018 (JP) ..... 2018-019463

The ornamental design for a mobile printer, as shown and described.

(51) **LOC (12) Cl.** ..... **18-99**

(52) **U.S. Cl.**  
USPC ..... **D18/19**

(58) **Field of Classification Search**  
USPC ..... D18/14, 19, 50, 53, 54, 55, 56, 59, 36, D18/37, 38, 39, 40, 41, 45; D19/65, 66, D19/67, 68, 69, 70, 71; D14/301, 307, D14/121  
CPC ..... H04N 1/00204; H04N 1/00249; H04N 1/00278; G06K 15/12; G06K 15/14; B41J 3/00; B41J 3/28; B41J 3/445; B41J 3/46; B41J 3/36; B41J 3/382; G06F 3/12; G06F 3/1292

See application file for complete search history.

**DESCRIPTION**

FIG. 1 is a front, bottom, and right side perspective view of a mobile printer;  
FIG. 2 is a rear, top, and left side perspective view thereof;  
FIG. 3 is a front elevational view thereof;  
FIG. 4 is a rear elevational view thereof;  
FIG. 5 is a top plan view thereof;  
FIG. 6 is a bottom plan view thereof;  
FIG. 7 is a left side elevational view thereof; and,  
FIG. 8 is a right side elevational view thereof.  
The evenly spaced broken lines shown in the figures are for the purpose of illustrating portions of the mobile printer that form no part of the claimed design. The dot-dash broken lines in the figures show an unclaimed boundary of the claimed design.

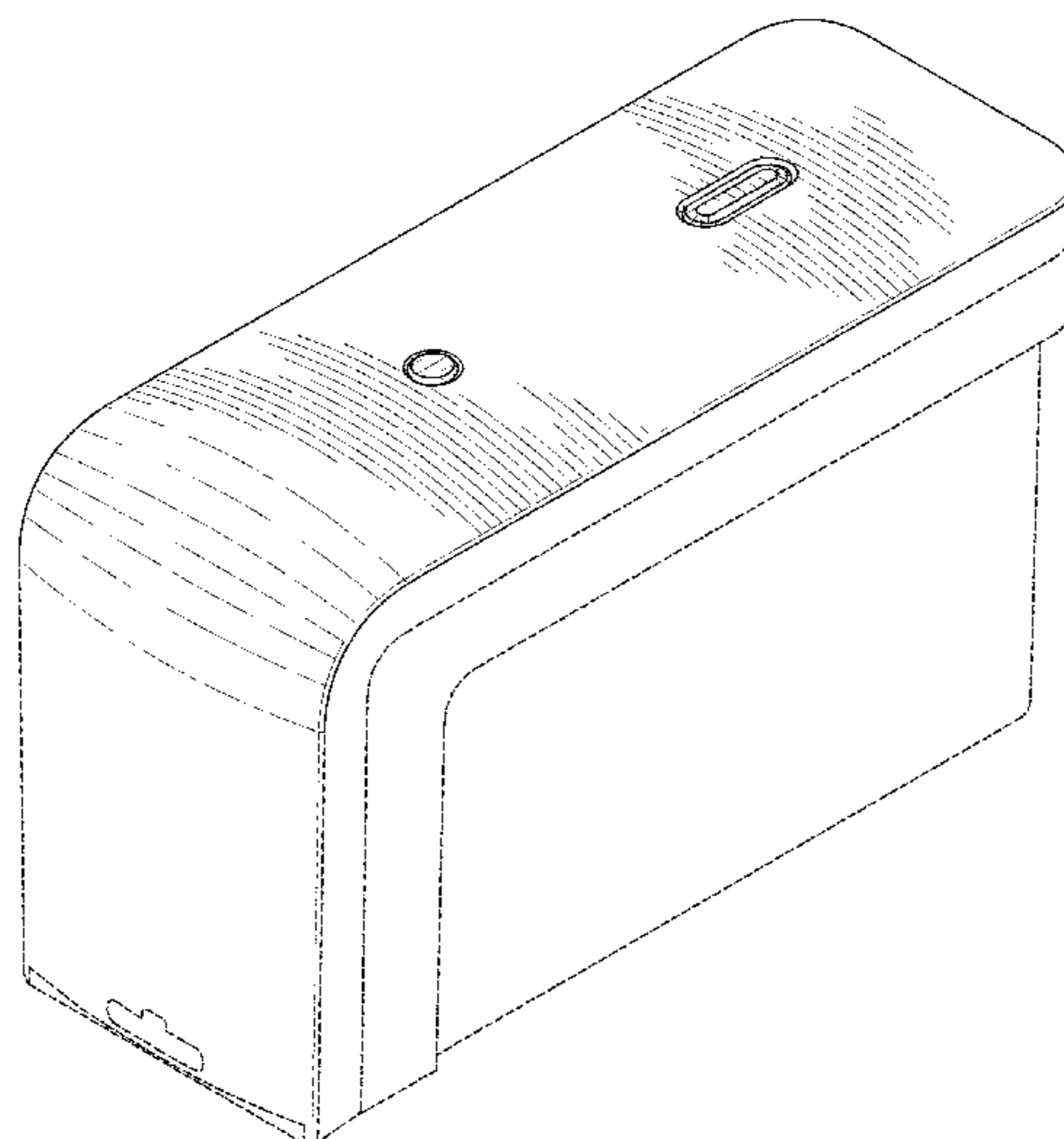
(56) **References Cited**

U.S. PATENT DOCUMENTS

D168,329 S \* 12/1952 Blum ..... D10/72  
D306,612 S \* 3/1990 Kahler ..... D19/67

(Continued)

**1 Claim, 8 Drawing Sheets**



(56)

References Cited

U.S. PATENT DOCUMENTS

D556,822 S \* 12/2007 Hong ..... D18/50  
 D630,251 S \* 1/2011 Cohen ..... D19/69  
 D641,394 S \* 7/2011 Inada ..... D18/50  
 D660,354 S \* 5/2012 Plummer ..... D18/56  
 D763,957 S \* 8/2016 Kohno ..... D18/53  
 D771,182 S \* 11/2016 Takahashi ..... D18/50  
 D775,275 S \* 12/2016 Takahashi ..... D18/50  
 D876,533 S \* 2/2020 Nanno ..... D18/19  
 2011/0217109 A1 \* 9/2011 Cronin ..... B41J 13/12  
 400/624  
 2015/0144015 A1 \* 5/2015 Faber ..... B41J 2/16508  
 101/333  
 2018/0361761 A1 \* 12/2018 Okeguchi ..... B41J 11/0095  
 2020/0079109 A1 \* 3/2020 Ota ..... B41J 3/36  
 2020/0079110 A1 \* 3/2020 Hirata ..... B41J 3/36  
 2020/0079112 A1 \* 3/2020 Osanai ..... B41J 3/36  
 2020/0094548 A1 \* 3/2020 Nishioka ..... B41J 2/04563  
 2020/0096897 A1 \* 3/2020 Ota ..... G03G 15/0409  
 2020/0101763 A1 \* 4/2020 Ishida ..... B41J 3/36

FOREIGN PATENT DOCUMENTS

EP 3539786 A1 \* 9/2019 ..... B41J 3/4073  
 EP 3539787 A1 \* 9/2019 ..... B41J 29/38  
 EP 3539788 A1 \* 9/2019 ..... B41J 3/36  
 EP 3620305 A1 \* 3/2020 ..... B41J 3/36  
 WO WO-2014000010 A1 \* 1/2014 ..... B41K 1/36  
 WO WO-2014063177 A1 \* 5/2014 ..... B41J 2/17526

OTHER PUBLICATIONS

Quietnets. Link: <https://quietnets.com/products/the-worlds-smallest-mobile-color-printer?variant=31648590135392&currency=USD>. Visited Mar. 3, 2020. The World's Smallest Mobile Color Printer. (Year: 2020).\*

3dprint. Link: <https://3dprint.com/218515/tiertime-up-mini-2-es-available/>. Jul. 5, 2018. Tiertime's UP mini 2 ES 3D Printer Now Available in the United States and Europe. (Year: 2018).\*

\* cited by examiner

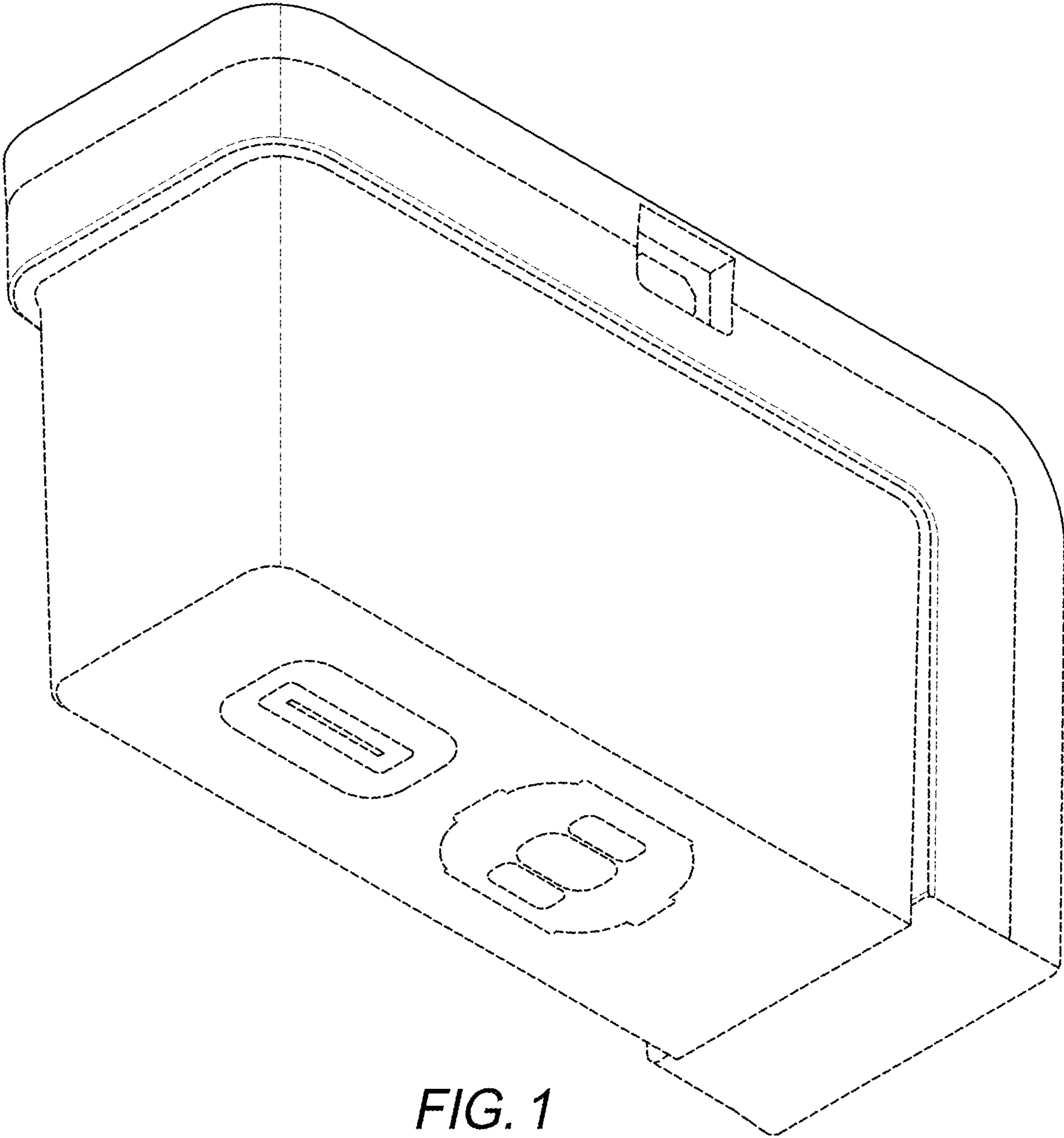


FIG. 1

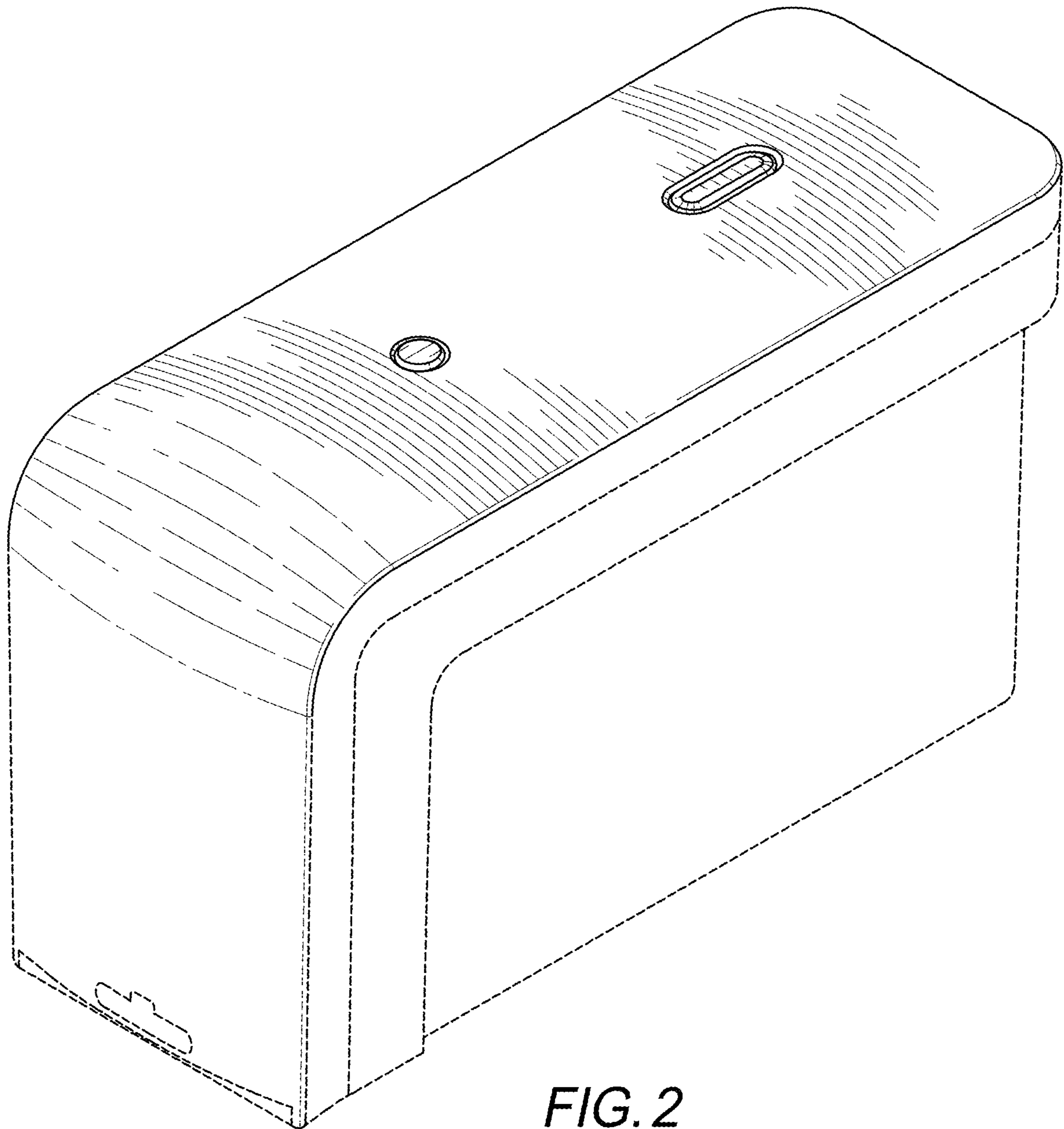
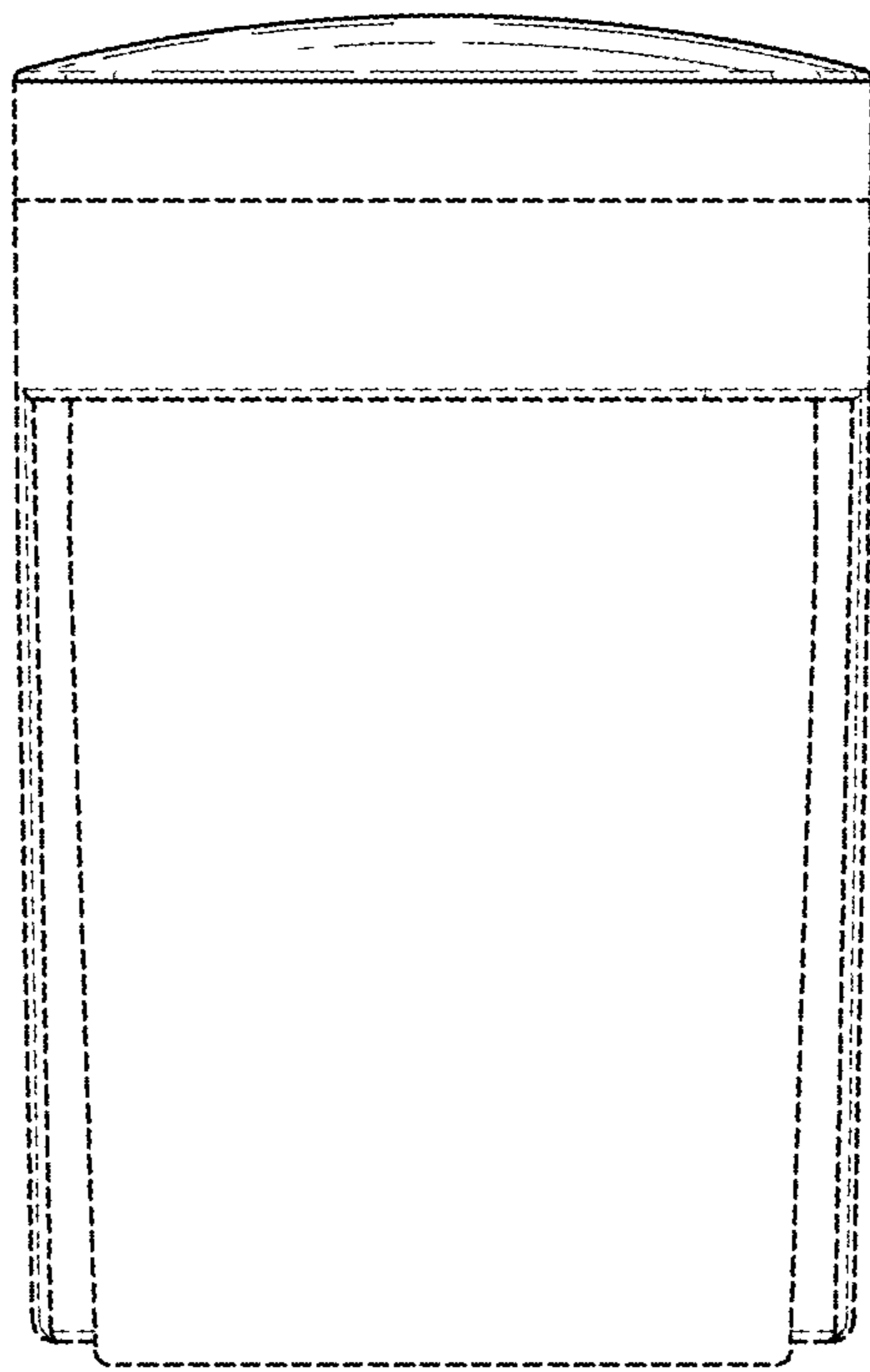
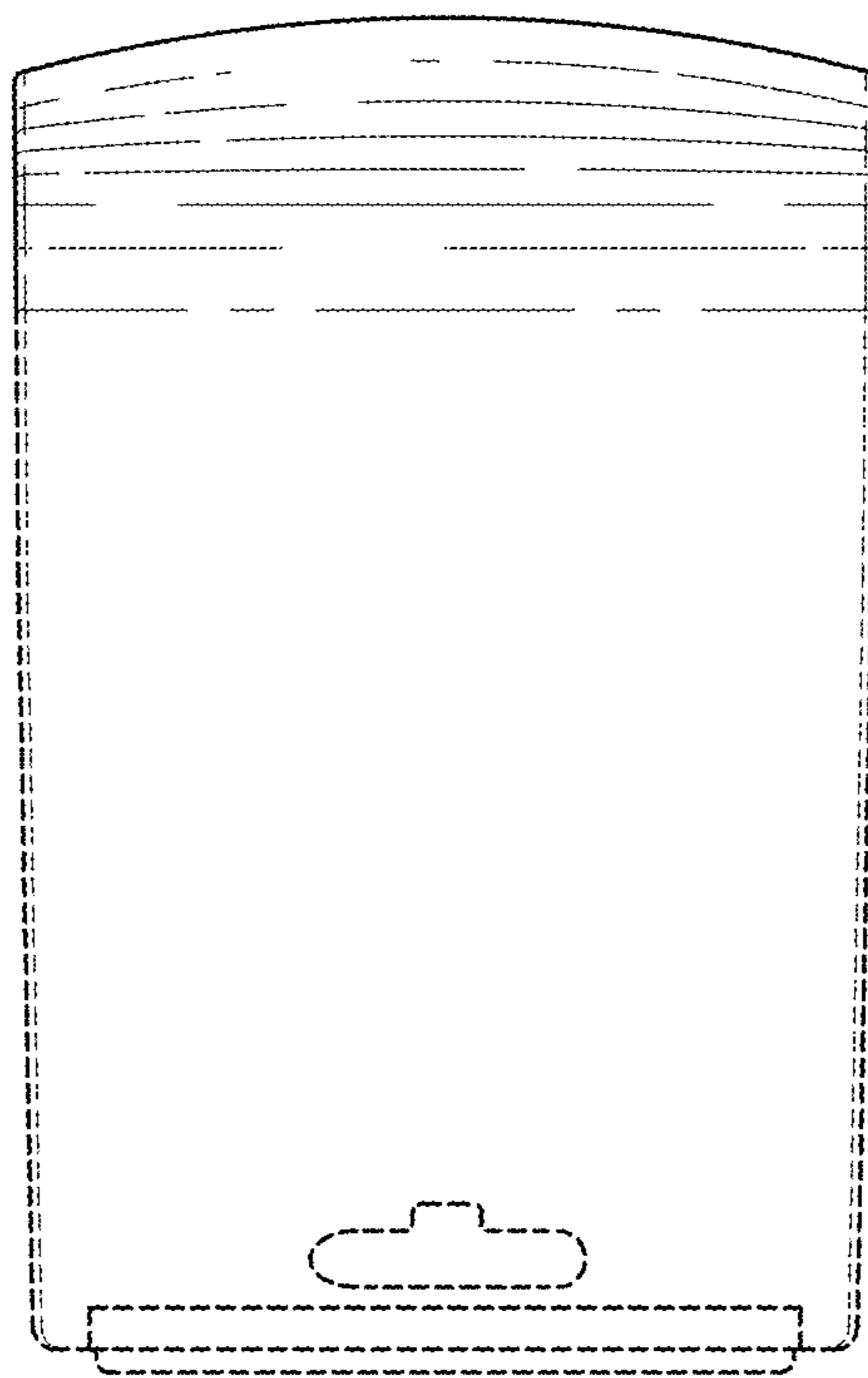


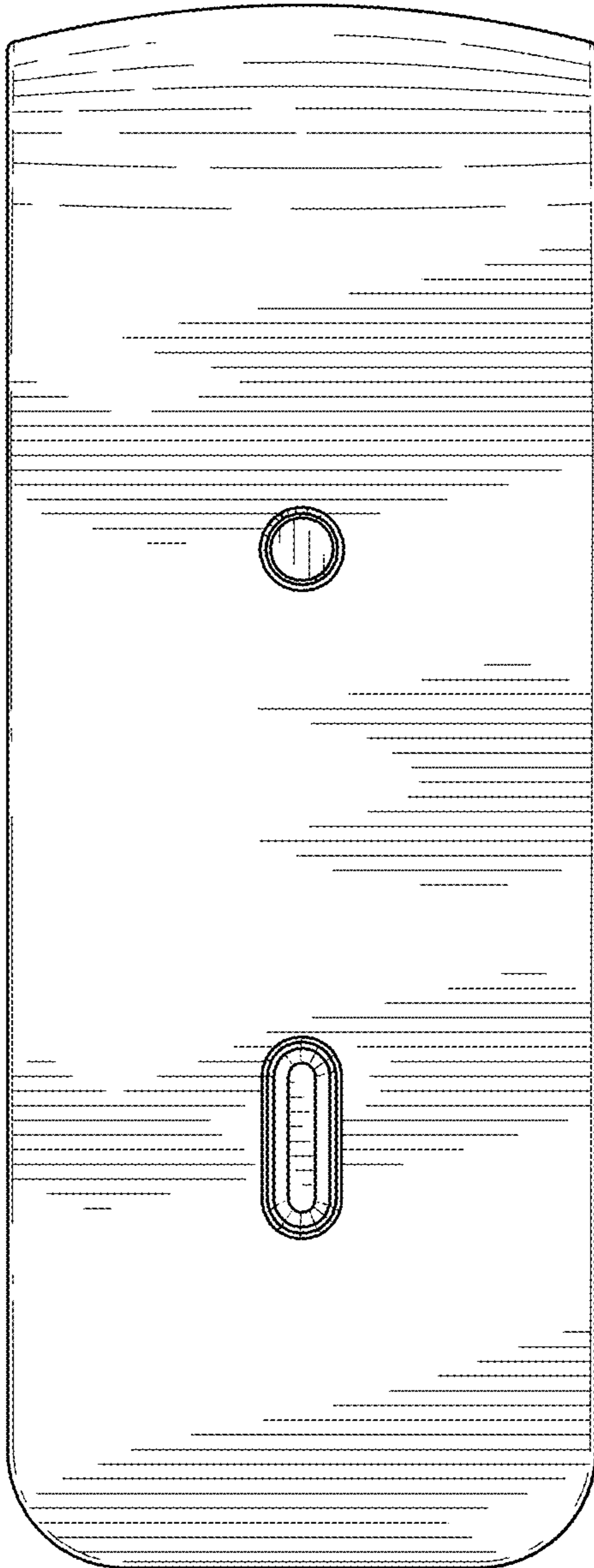
FIG. 2



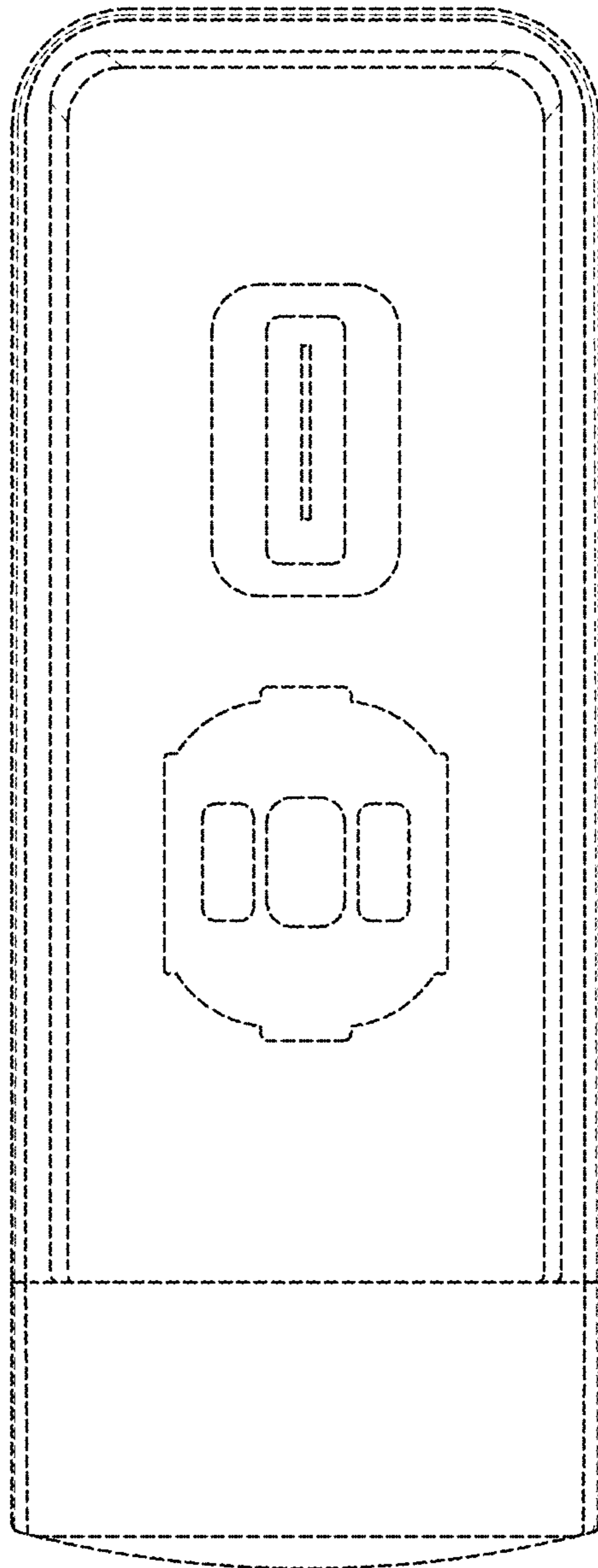
*FIG. 3*



*FIG. 4*



*FIG. 5*

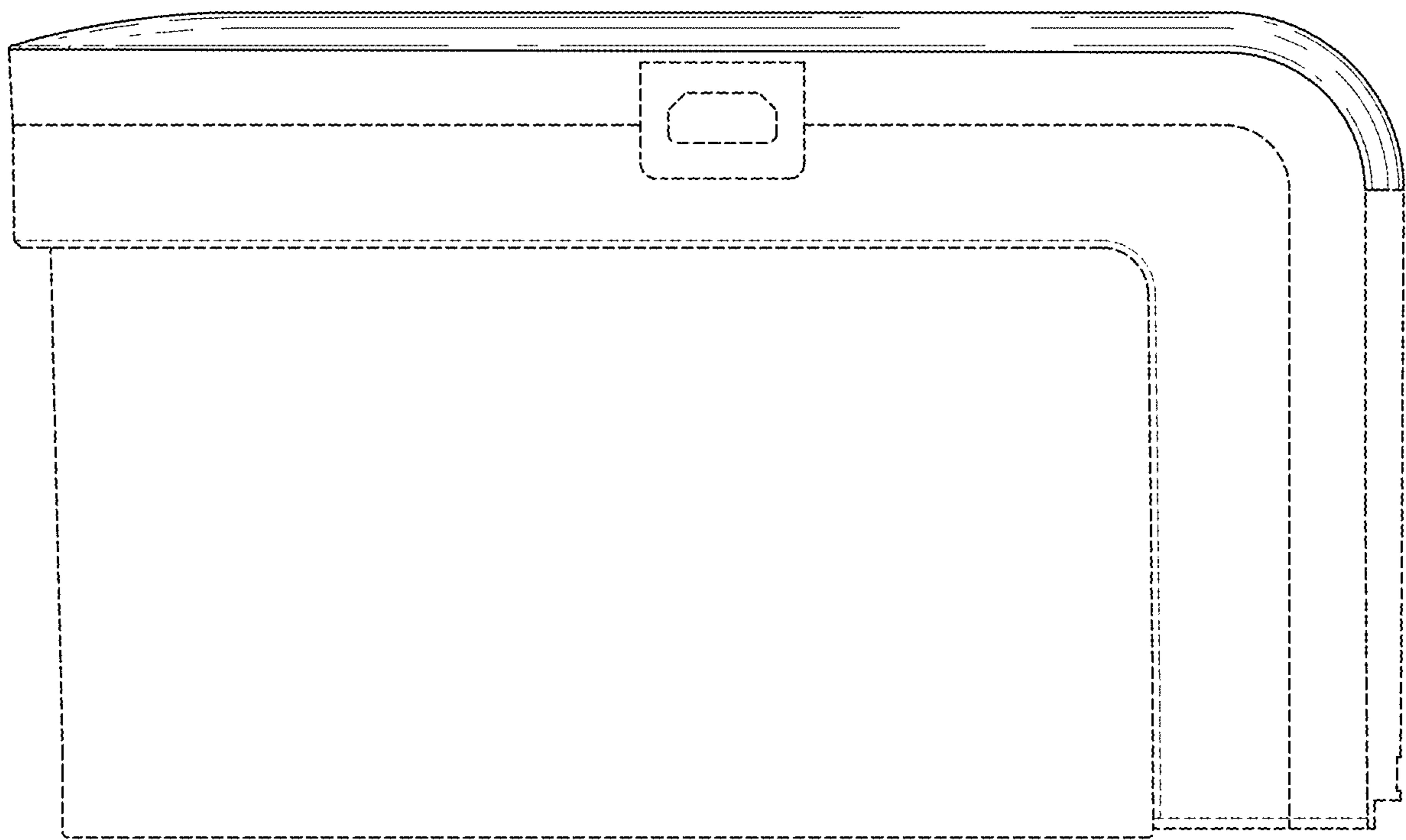


*FIG. 6*





*FIG. 7*



*FIG. 8*