



US00D904500S

(12) **United States Design Patent**  
**Hoskinson et al.**

(10) **Patent No.:** **US D904,500 S**

(45) **Date of Patent:** **\*\* Dec. 8, 2020**

(54) **SWIMMING GOGGLES WITH HEADS-UP DISPLAY**

(71) Applicant: **Form Athletica Inc., Vancouver (CA)**

(72) Inventors: **Reynald Hoskinson, Vancouver (CA); Adam Capelin, Vancouver (CA); Dan Eisenhardt, Vancouver (CA)**

(73) Assignee: **FORM ATHLETICA INC., Vancouver (CA)**

(\*\*) Term: **15 Years**

(21) Appl. No.: **35/507,303**

(22) Filed: **Dec. 19, 2018**

(80) **Hague Agreement Data**

Int. Filing Date: **Dec. 19, 2018**

Int. Reg. No.: **DM/202296**

Int. Reg. Date: **Dec. 19, 2018**

Int. Reg. Pub. Date: **Aug. 23, 2019**

(51) **LOC (12) Cl.** ..... **16-06**

(52) **U.S. Cl.**  
USPC ..... **D16/311**

(58) **Field of Classification Search**

USPC ..... D16/100, 341, 338, 323, 309, 336, 326,  
D16/325, 300, 235, 327, 330, 136, 311,  
D16/312, 313, 340, 339, 217, 335, 321;  
D14/330, 206, 372; D24/157, 110.2, 3.3;  
D29/109

CPC ..... G02C 11/08; G02C 11/12; G02C 3/003;  
G02C 3/00; G02C 2200/04; G02C 5/00;  
G02C 5/124; G02C 5/2263; G02C 9/04;  
A42B 3/042; A42B 3/20; G02B 23/125

See application file for complete search history.

(56) **References Cited**

**U.S. PATENT DOCUMENTS**

D352,046 S \* 11/1994 Kataoka ..... D16/130

D411,559 S \* 6/1999 Chou ..... D16/303

D413,913 S *	9/1999	Yashiro	.....	D16/303
D457,181 S *	5/2002	Chiang	.....	D16/303
D457,546 S *	5/2002	Chiang	.....	D16/303
D466,542 S *	12/2002	Tsubooka	.....	D16/303
D470,880 S *	2/2003	Sakai	.....	D16/303
D503,189 S *	3/2005	Chiang	.....	D16/311
D504,457 S *	4/2005	Chiang	.....	D16/303
D524,842 S *	7/2006	Chiang	.....	D16/303
D552,661 S *	10/2007	Chiang	.....	D16/311
D585,472 S *	1/2009	Chiang	.....	D16/303
D589,077 S *	3/2009	Chiang	.....	D16/303
D601,610 S *	10/2009	Chiang	.....	D16/303
D601,641 S *	10/2009	Yeung	.....	D16/306
D649,176 S *	11/2011	Booker	.....	D16/303
D717,862 S *	11/2014	Chiang	.....	D16/303
D806,318 S *	12/2017	Yang	.....	D29/107
D839,950 S *	2/2019	Chiang	.....	D16/311
D839,952 S *	2/2019	Chiang	.....	D16/311

\* cited by examiner

*Primary Examiner* — Holly E Thurman

(74) *Attorney, Agent, or Firm* — Dentons Canada LLP

(57) **CLAIM**

The ornamental design for swimming goggles with heads-up display, as shown and described.

**DESCRIPTION**

1. Swimming goggles with heads-up display

1.1 : Front

1.2 : Top

1.3 : Back

1.4 : Bottom

1.5 : Right

1.6 : Left

1.7 : Front—Top Isometric View

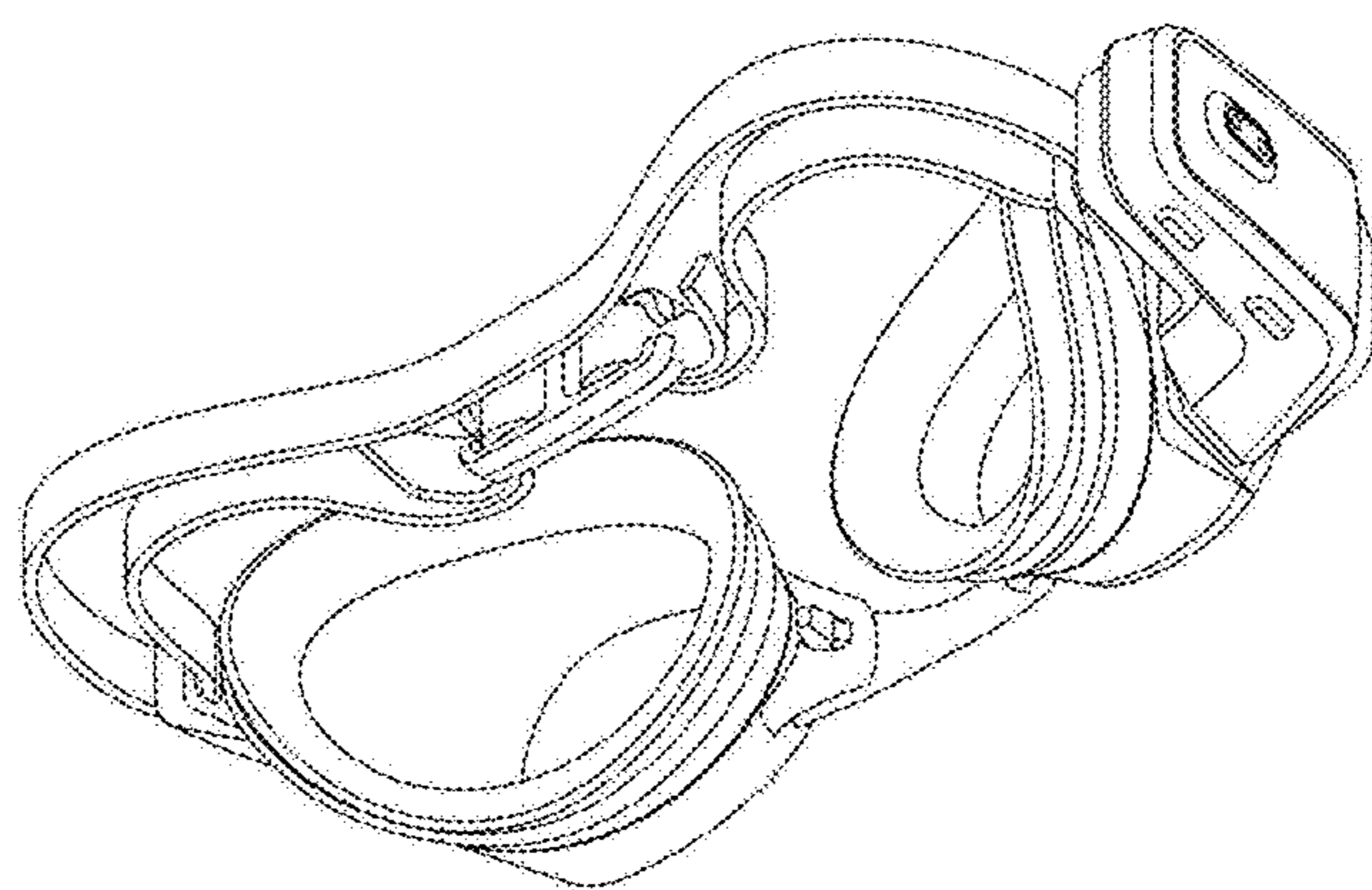
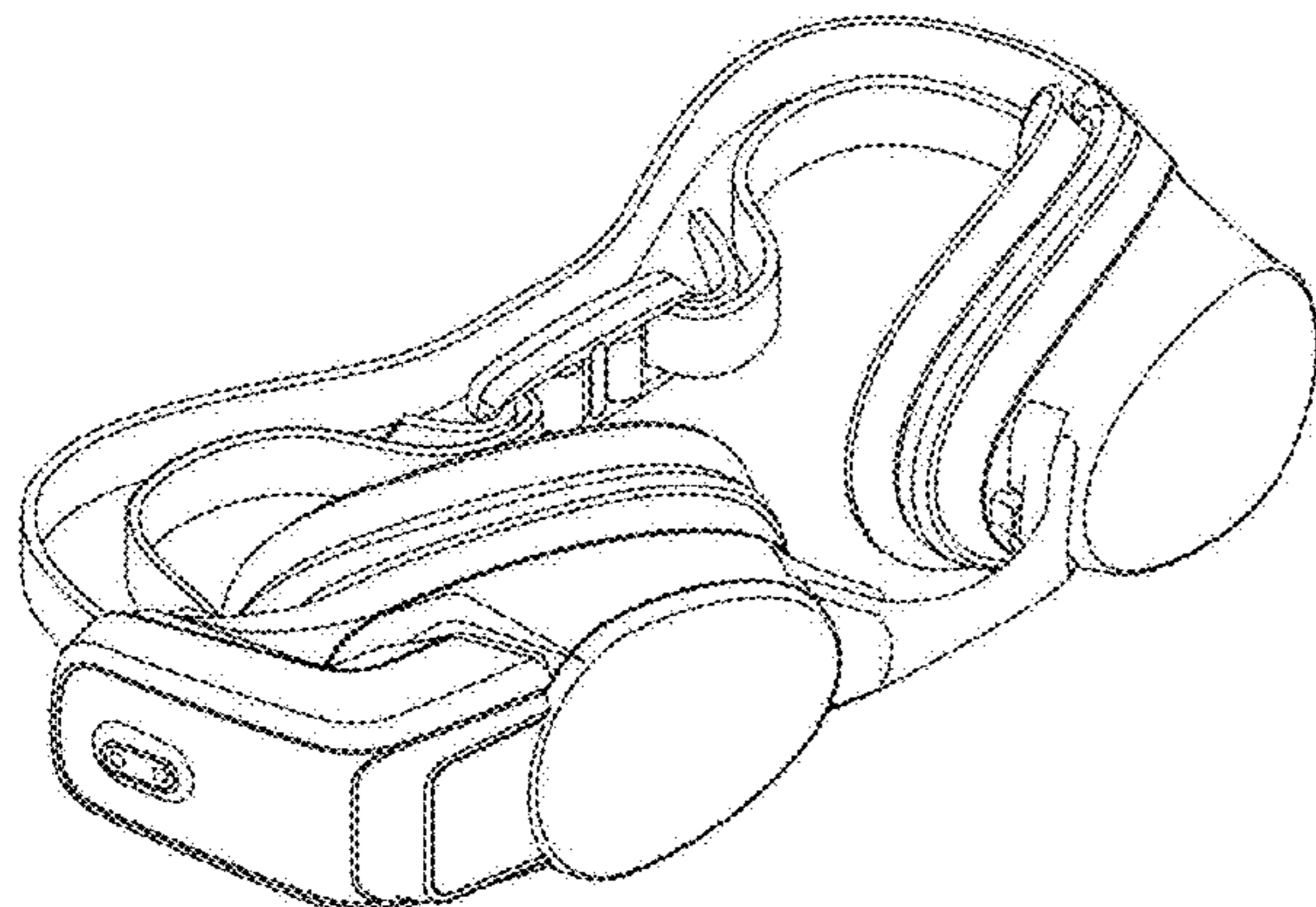
1.8 : Front—Bottom Isometric View

1.9 : Rear—Top Isometric View

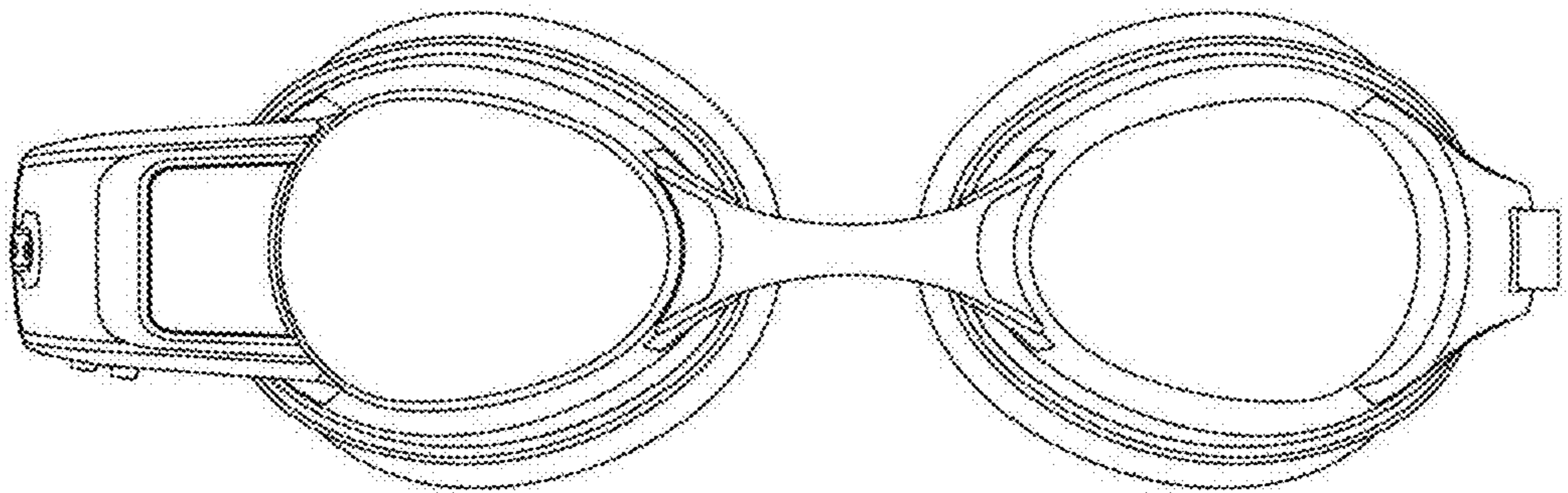
1.10 : Rear—Bottom Isometric View

Dotted lines, when present, in the representations form no part of the claimed design.

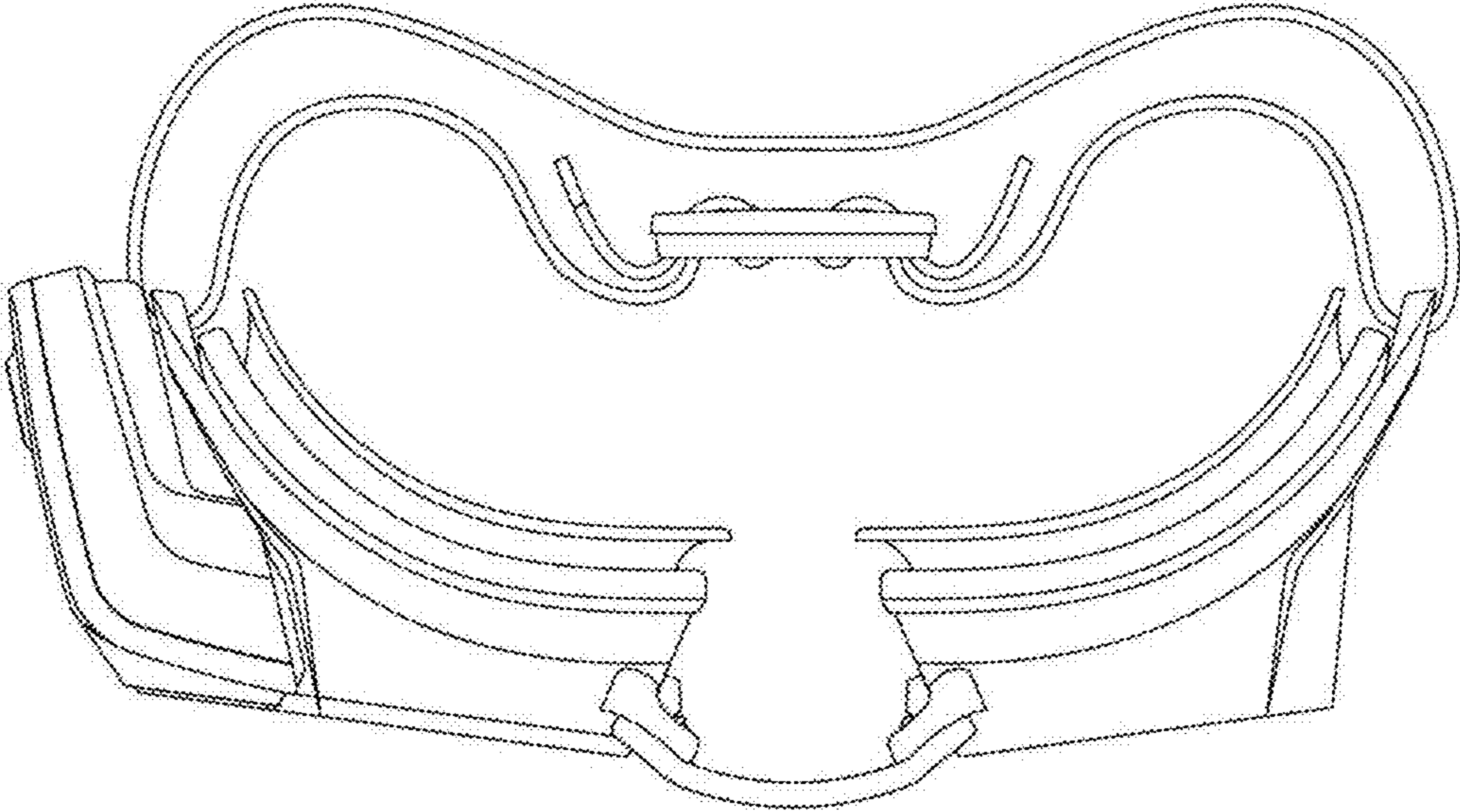
**1 Claim, 10 Drawing Sheets**



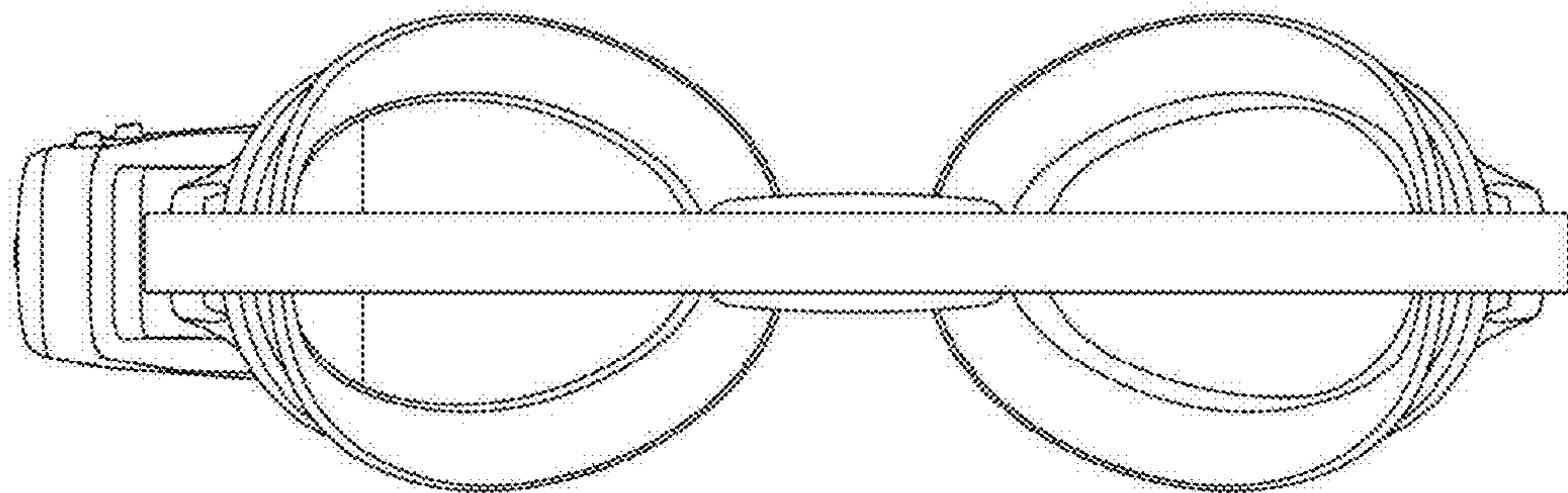
1.1



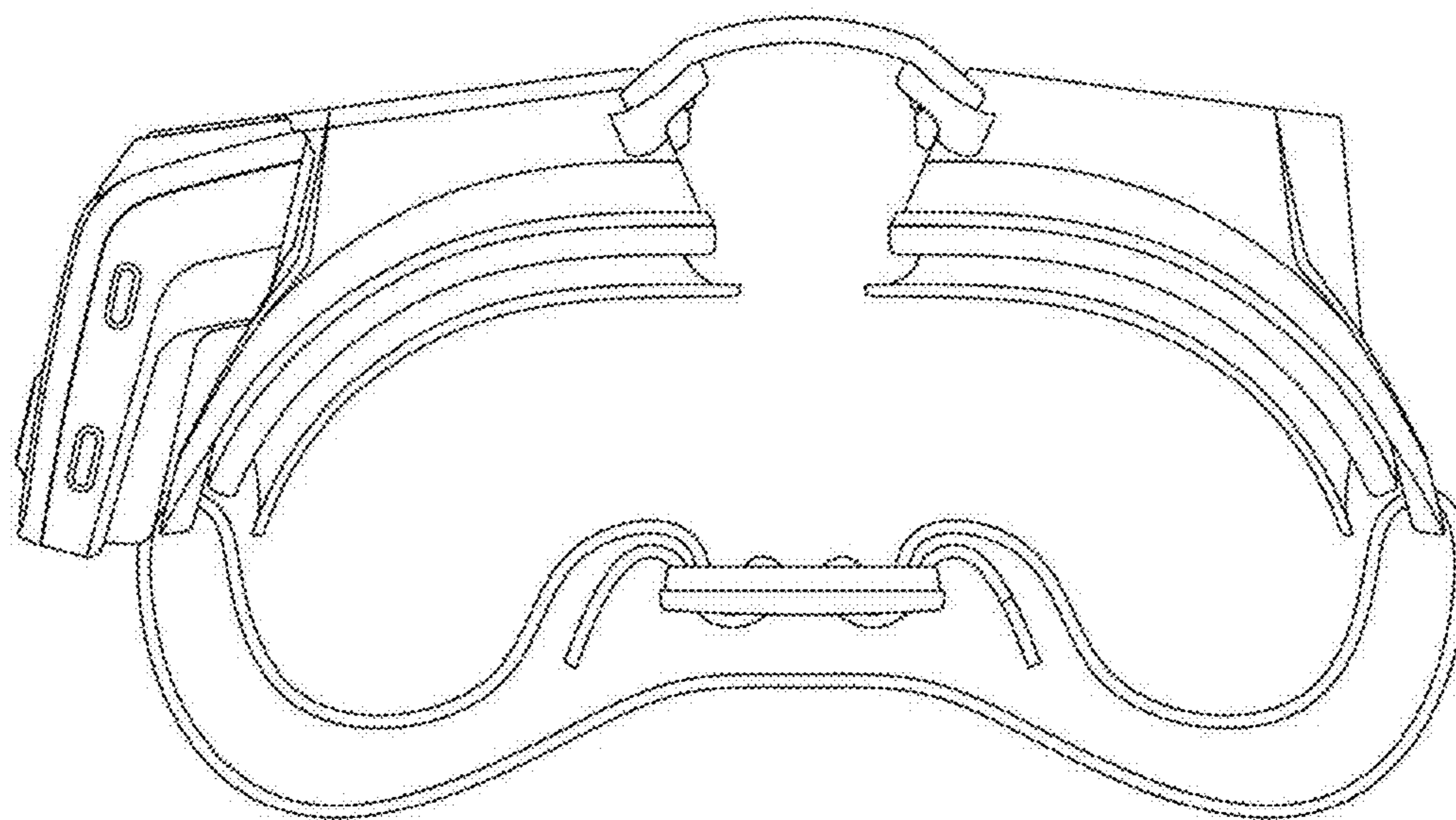
1.2



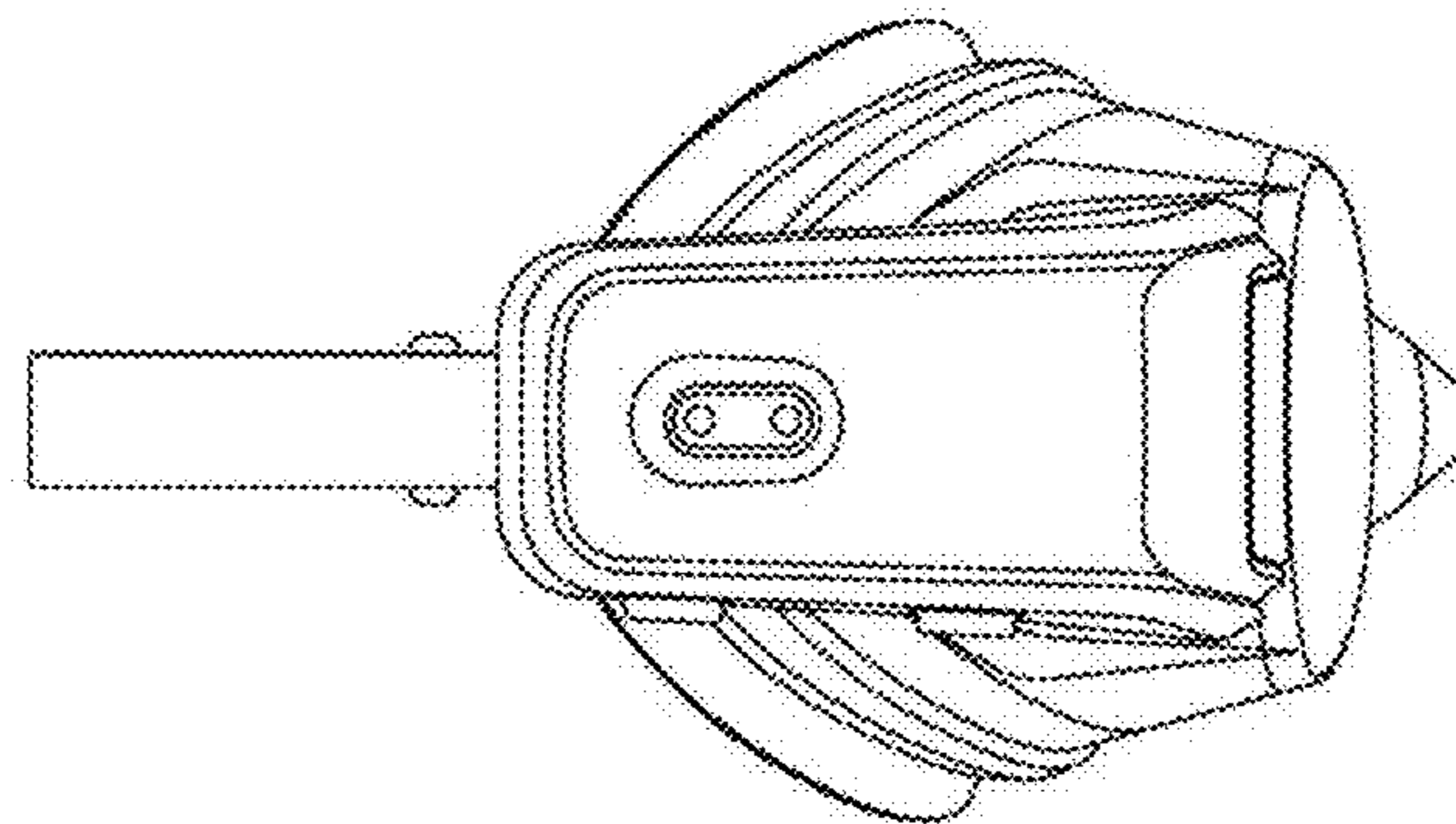
1.3



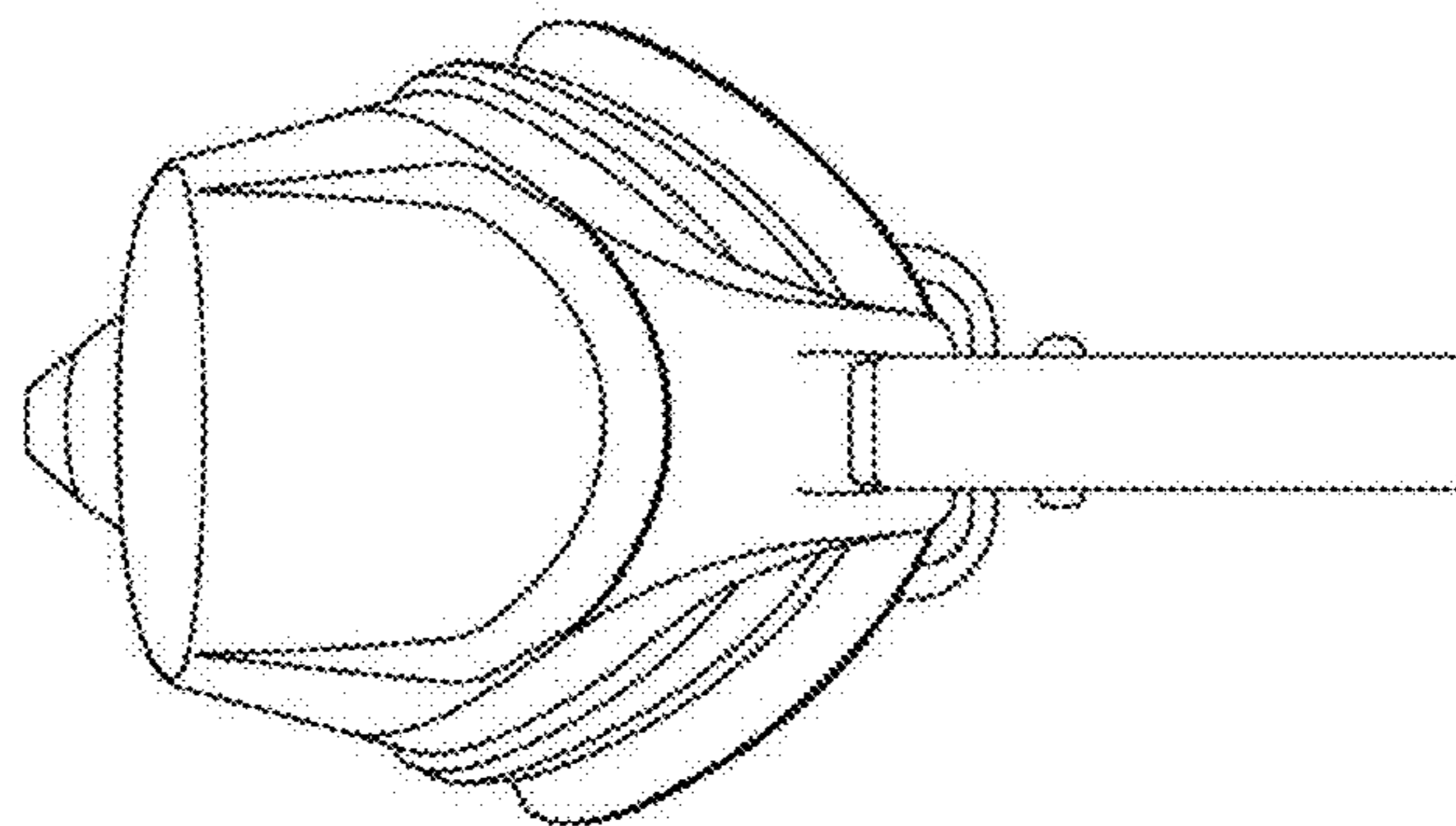
1.4



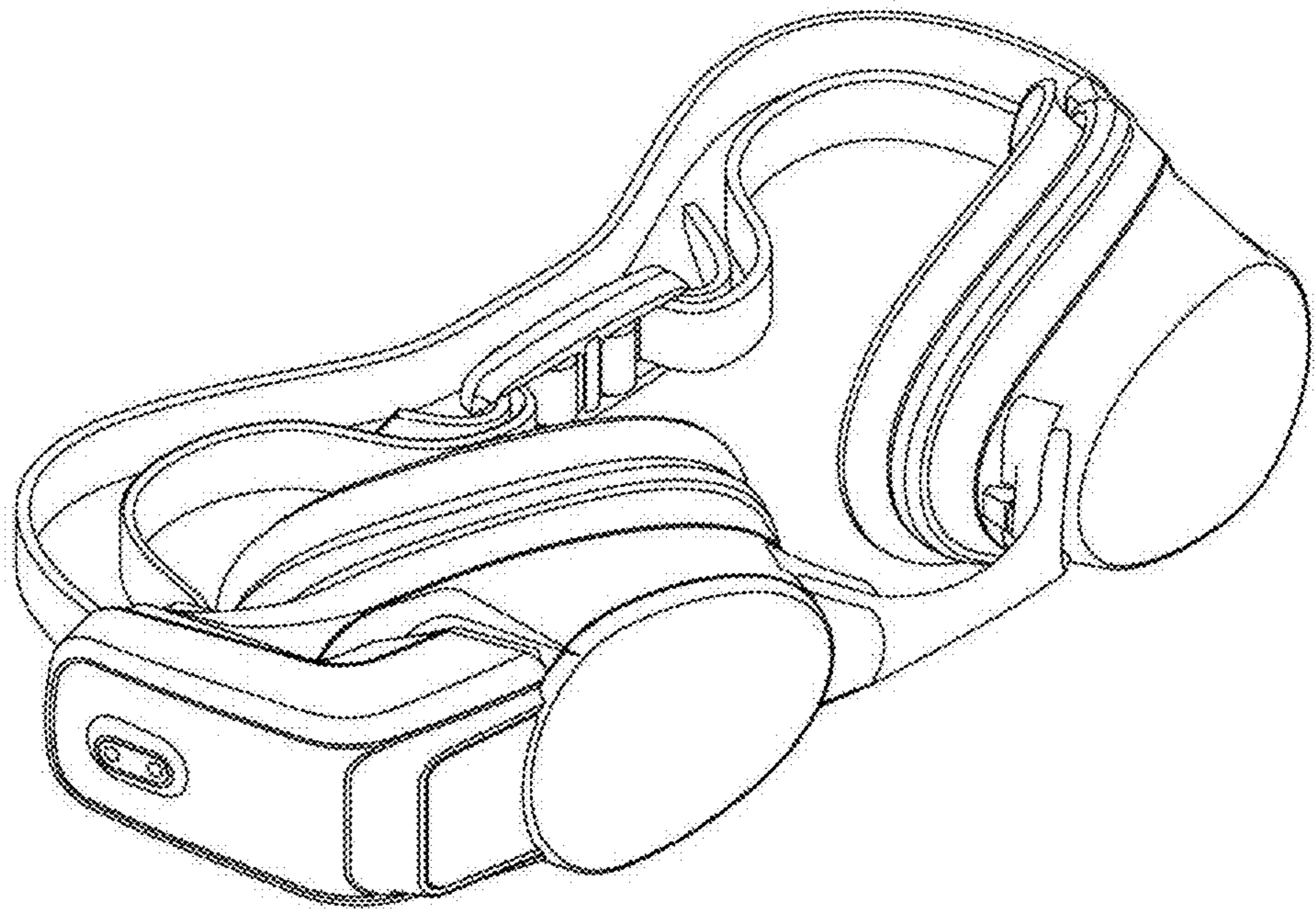
1.5



1.6

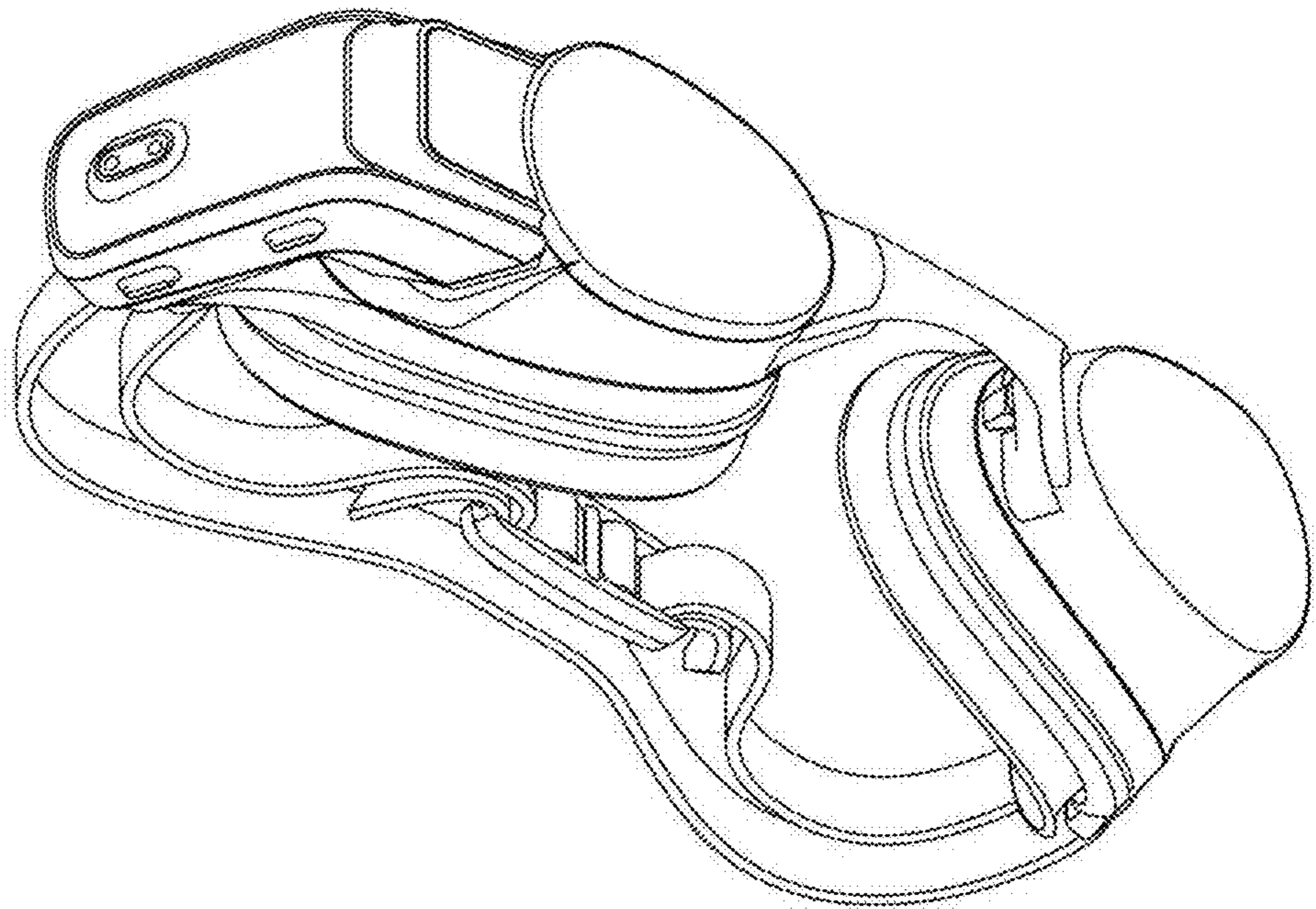


1.7

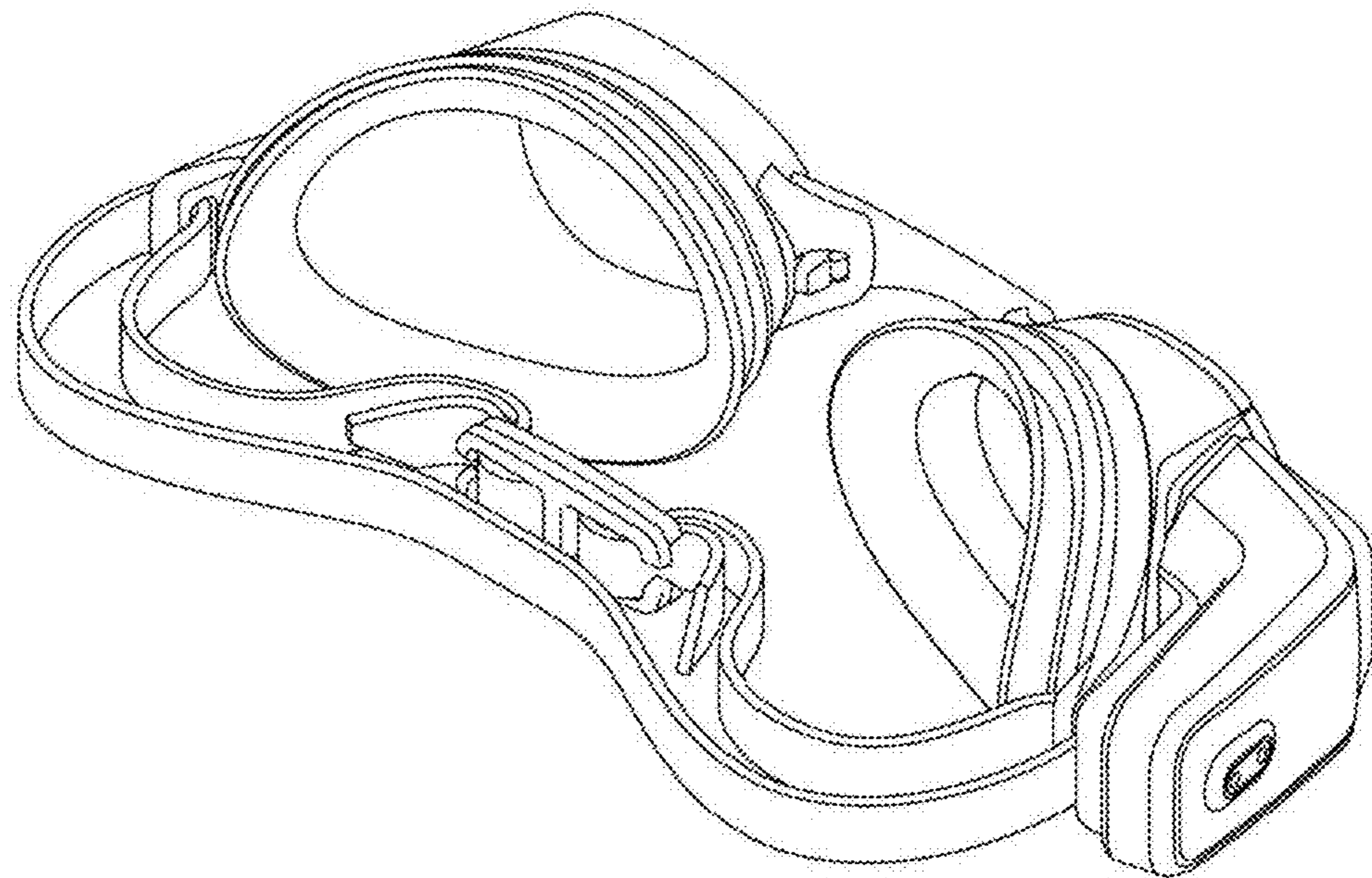




1.8



1.9



1.10

