



US00D904499S

(12) **United States Design Patent**  
**Jiang**

(10) **Patent No.:** **US D904,499 S**

(45) **Date of Patent:** **\*\* Dec. 8, 2020**

(54) **BABY CAMERA HOLDER**

D876,528 S \* 2/2020 Sequeira de Sousa ..... D16/242  
D886,881 S \* 6/2020 Wang ..... D16/202  
D889,475 S \* 7/2020 Yamamoto ..... D14/447

(71) Applicant: **Shenzhen FeiChi Trading Co., Ltd,**  
Shenzhen (CN)

(72) Inventor: **Wei Jiang,** Fuzhou (CN)

(\*\*) Term: **15 Years**

(21) Appl. No.: **29/694,137**

(22) Filed: **Jun. 7, 2019**

(51) **LOC (12) Cl.** ..... **16-05**

(52) **U.S. Cl.**  
USPC ..... **D16/242**

(58) **Field of Classification Search**  
USPC ..... D16/219, 237-250; D14/229, 238, 251,  
D14/253, 447, 451, 457; D8/354, 355,  
D8/363, 373, 382-383, 394-396  
CPC ..... A45F 2200/0508-0533; A45F 5/00; A45F  
5/10; F16M 11/06-10; F16M 11/14;  
G02B 7/00-002; G03B 17/56; G03B  
17/561-566; H04N 5/2253-2254  
See application file for complete search history.

(56) **References Cited**

**U.S. PATENT DOCUMENTS**

D308,389 S \* 6/1990 Horn ..... D16/219  
D443,493 S \* 6/2001 Skeem ..... D8/72  
D672,308 S \* 12/2012 Cobbett ..... D13/107  
D740,872 S \* 10/2015 Wada ..... D16/203  
D741,697 S \* 10/2015 McGrath ..... D8/382  
D742,731 S \* 11/2015 Zedan ..... D8/394  
D753,205 S \* 4/2016 Stark ..... D16/203  
D783,392 S \* 4/2017 Dew ..... D8/396  
D798,358 S \* 9/2017 Holbrook ..... D16/203  
D841,076 S \* 2/2019 Wengreen ..... D16/242

**OTHER PUBLICATIONS**

Aobelieve Crib Mount for Infant Optics DXR-8 Baby Monitor.  
[online] Retrieved Jul. 23, 2020 from URL: [https://www.amazon.com/Aobelieve-Bracket-Infant-Optics-Monitor/dp/B07VCKKSCW/ref=asc\\_df\\_B07VCKKSCW/?tag=hyprod-20&linkCode=df0&E2%80%A6](https://www.amazon.com/Aobelieve-Bracket-Infant-Optics-Monitor/dp/B07VCKKSCW/ref=asc_df_B07VCKKSCW/?tag=hyprod-20&linkCode=df0&E2%80%A6).\*

\* cited by examiner

*Primary Examiner* — Vy N Koenig

(74) *Attorney, Agent, or Firm* — W&K IP

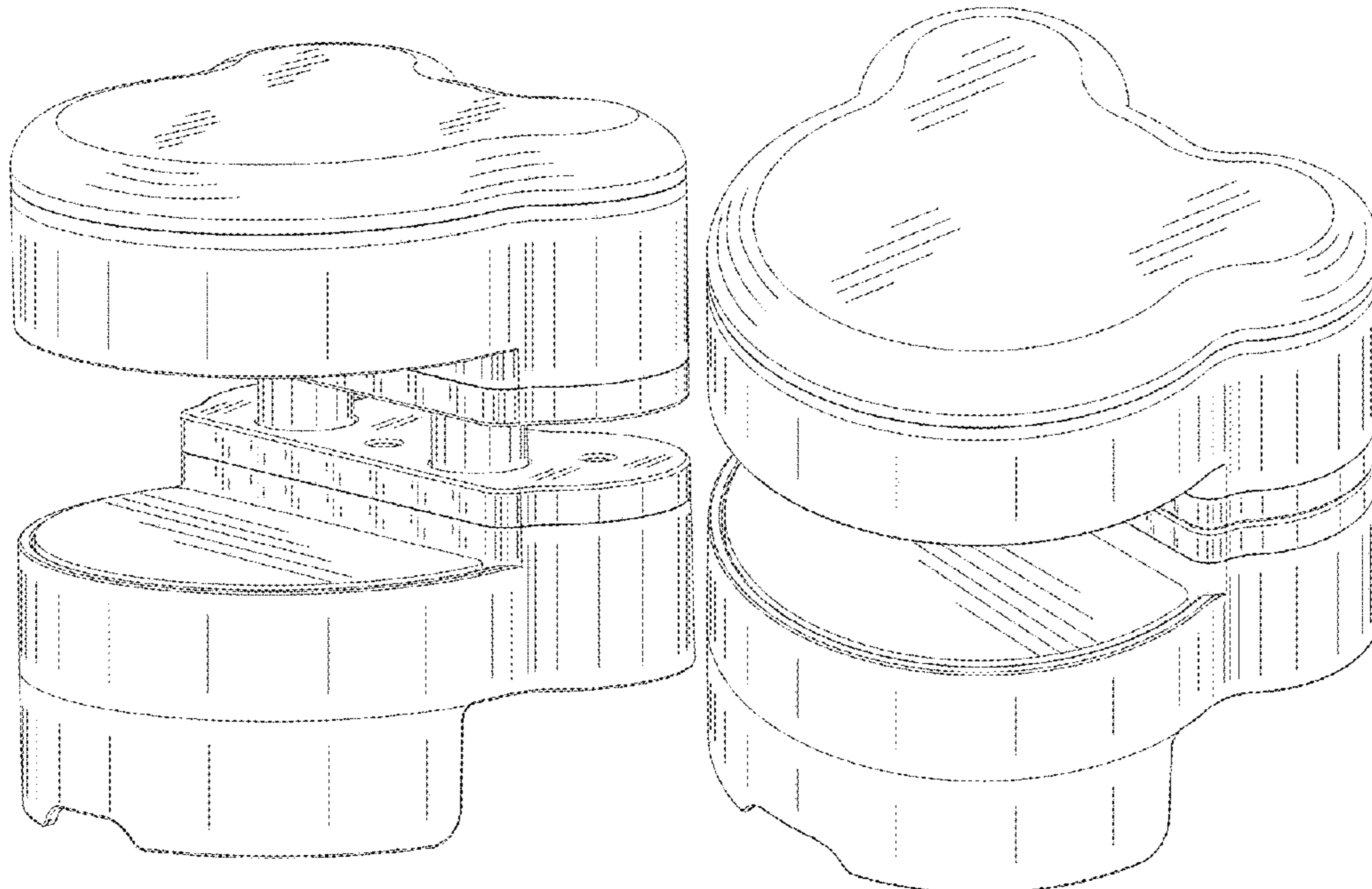
(57) **CLAIM**

The ornamental design for a baby camera holder, as shown and described.

**DESCRIPTION**

FIG. 1 is a perspective view of a baby camera holder showing my new design in an expanded configuration; FIG. 2 is a perspective view of the baby camera holder of FIG. 1 in a closed configuration; FIG. 3 is a rear perspective view of the baby camera holder of FIG. 1 in an expanded configuration; FIG. 4 is a rear perspective view of the baby camera holder of FIG. 1 in a closed configuration; FIG. 5 is a rear view thereof; FIG. 6 is a left side view thereof; FIG. 7 is a right side view thereof; FIG. 8 is a top plan view thereof; and, FIG. 9 is a bottom plan view thereof. The broken lines in the drawings depict portions of the baby camera holder that form no part of the claimed design.

**1 Claim, 9 Drawing Sheets**



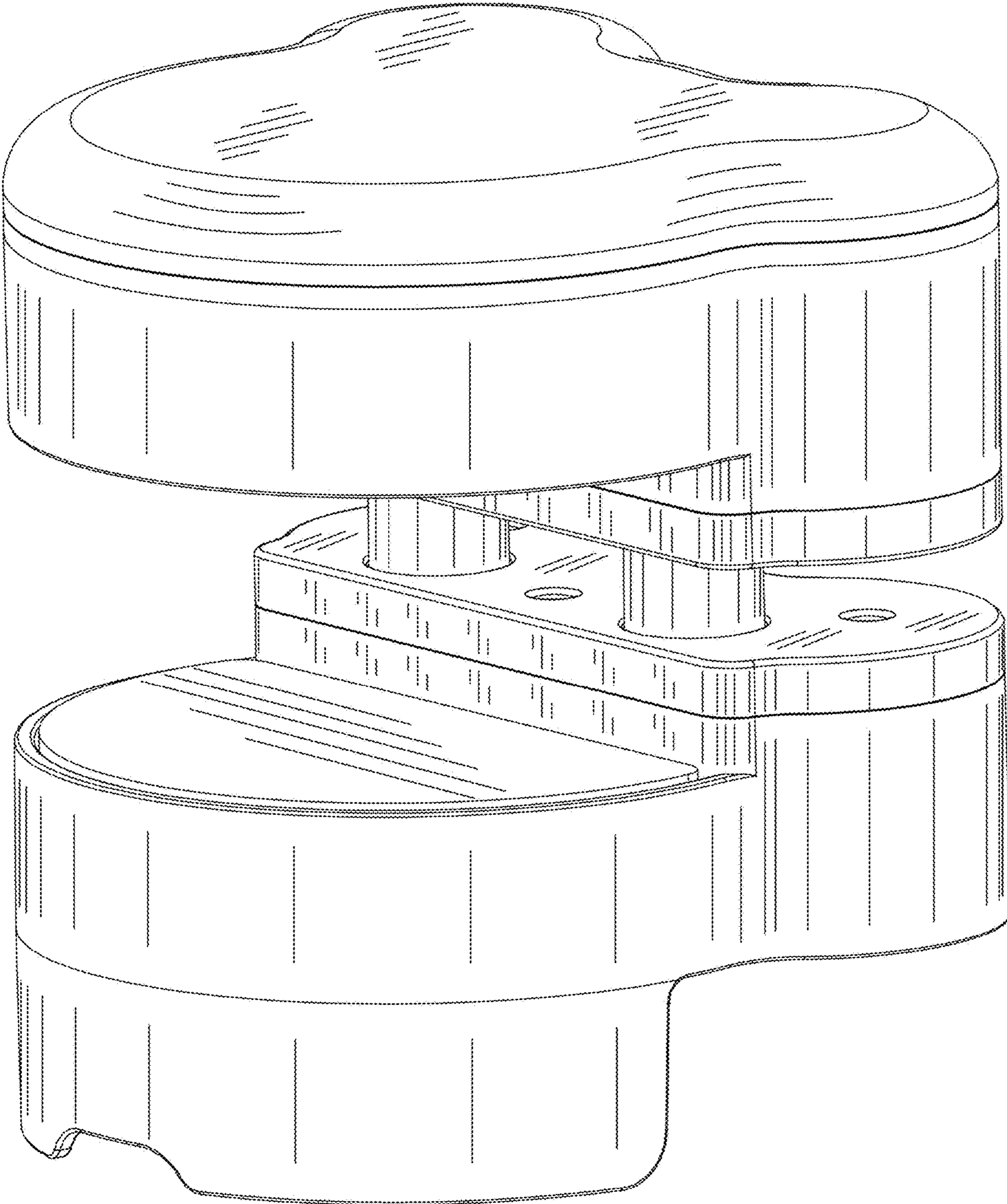


FIG.1

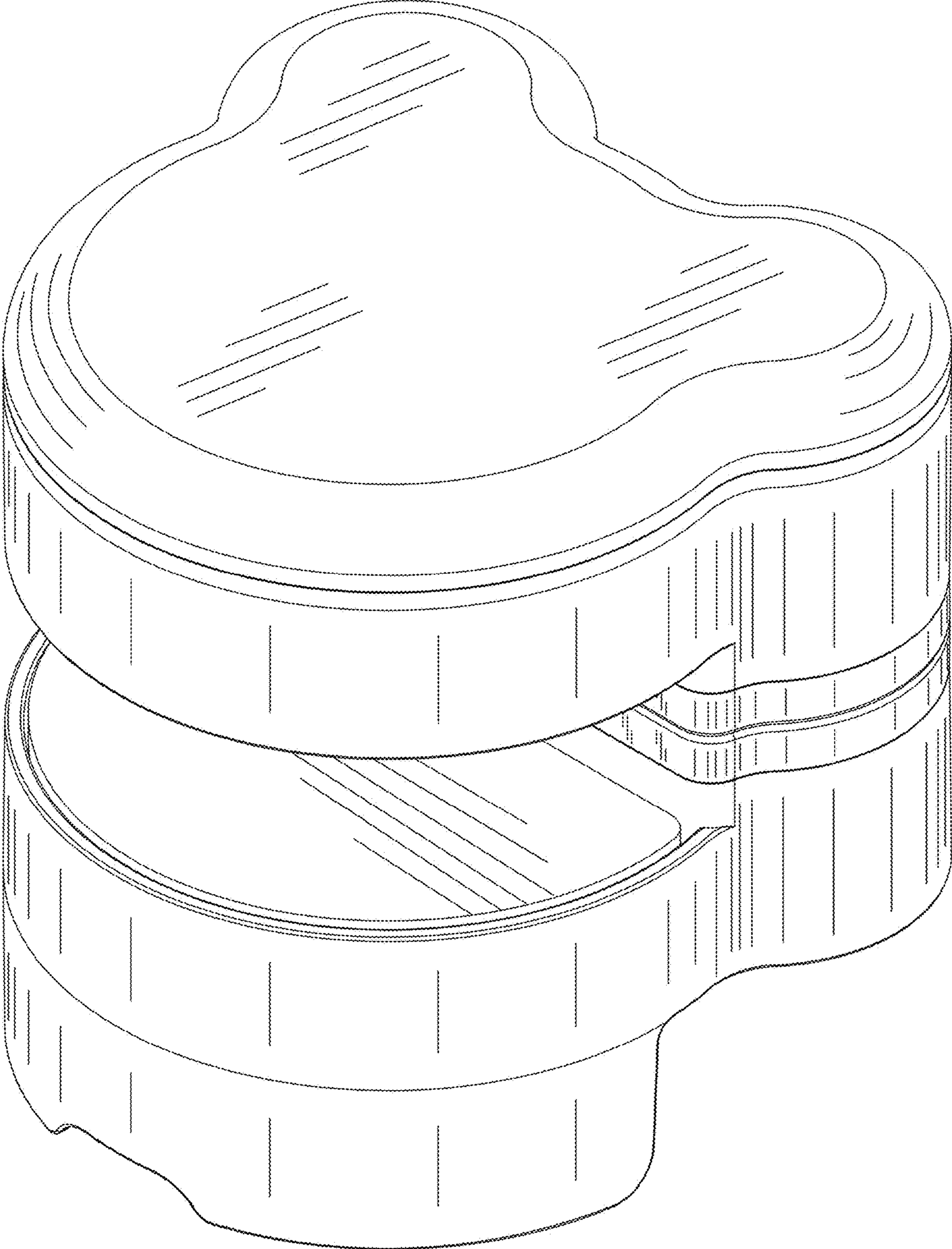


FIG.2

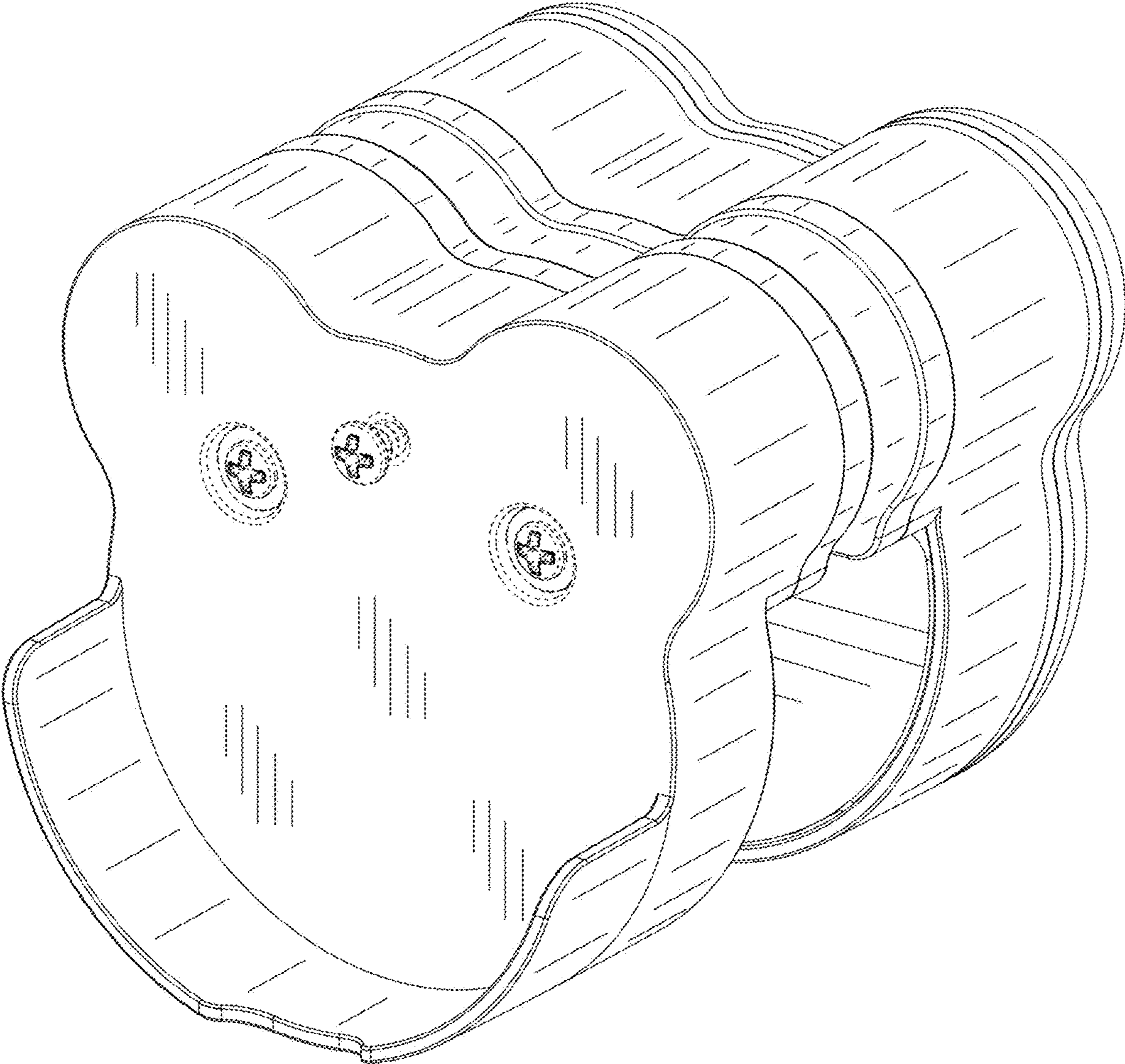


FIG.3

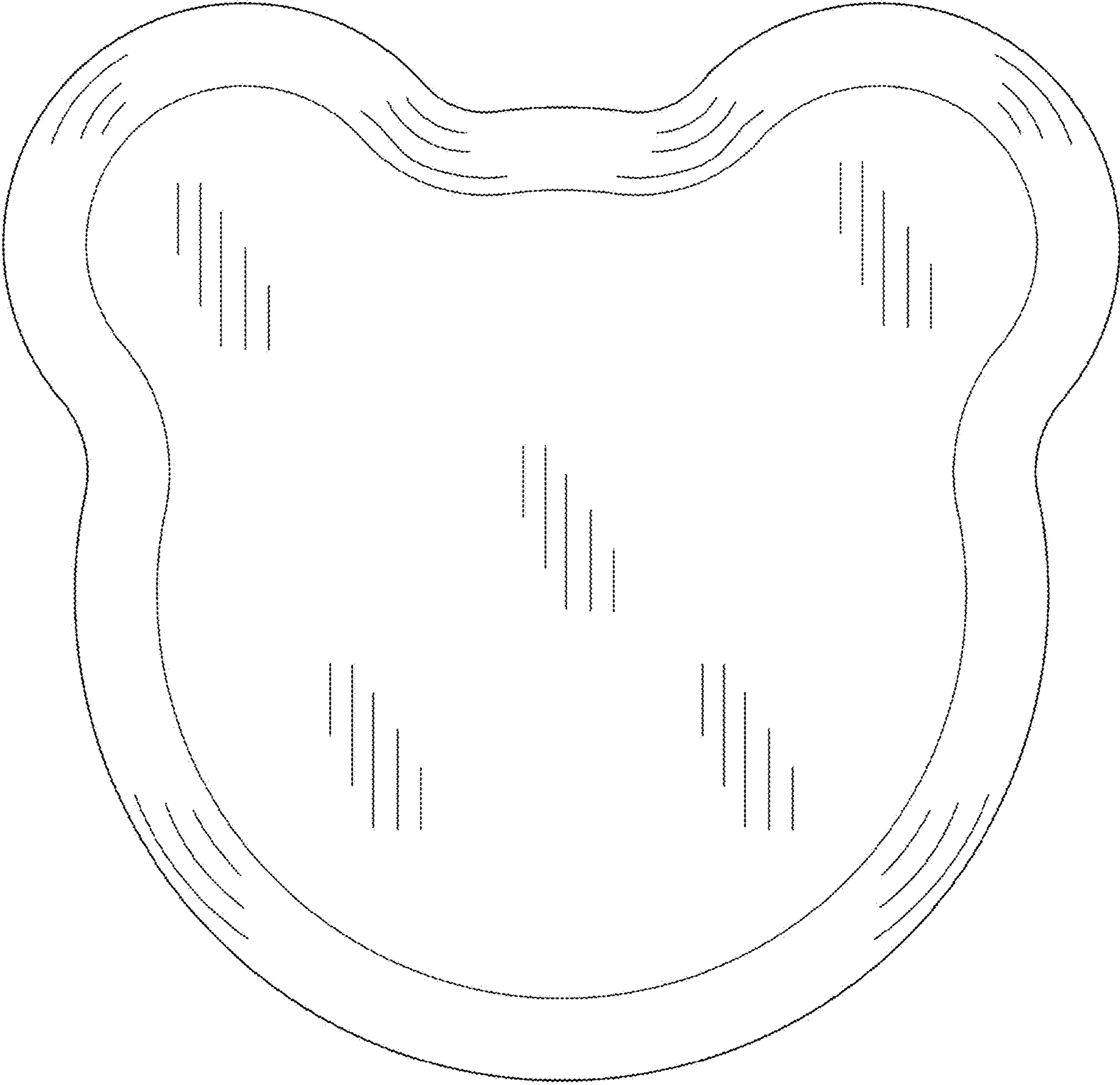


FIG.4

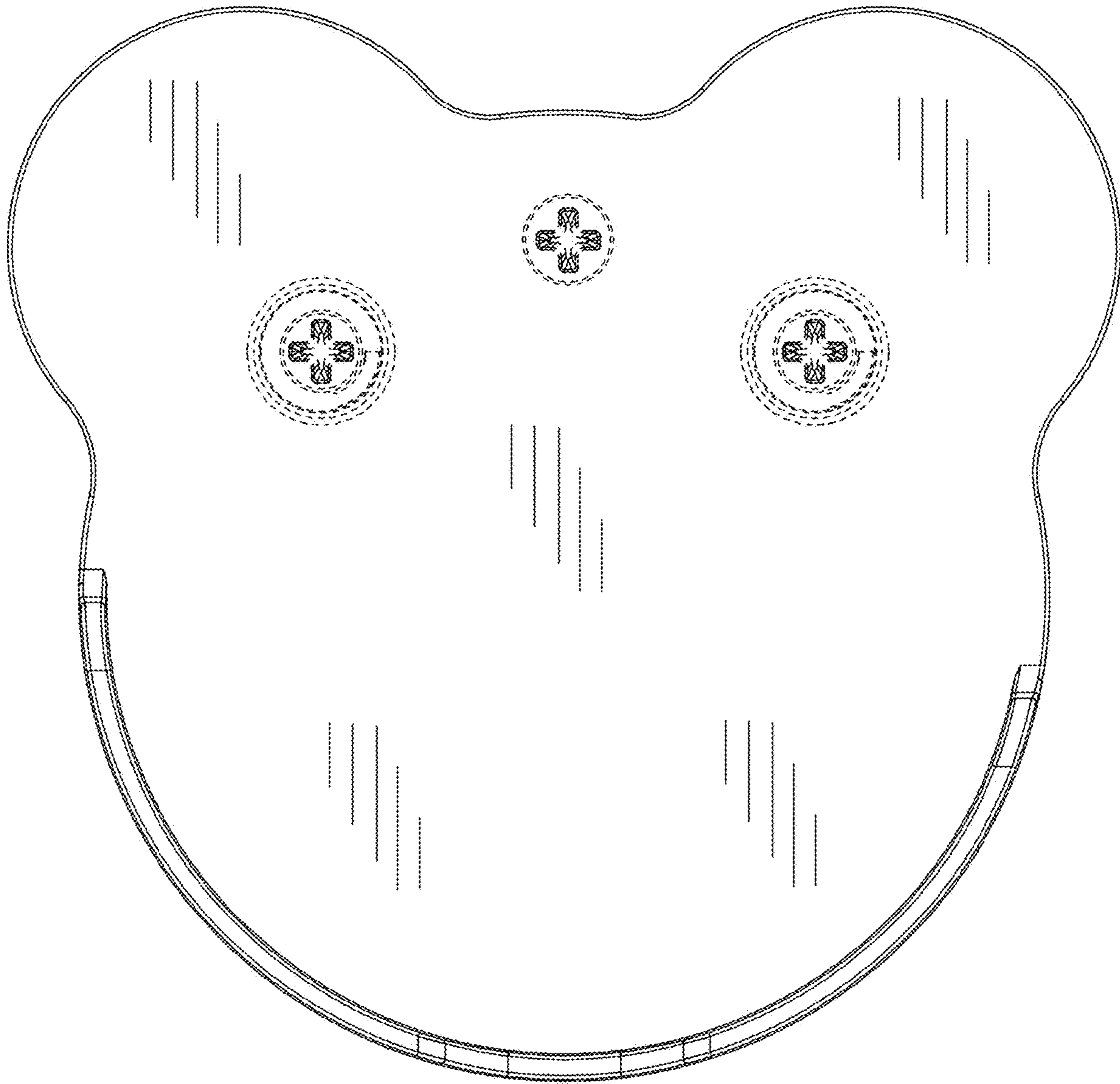


FIG.5

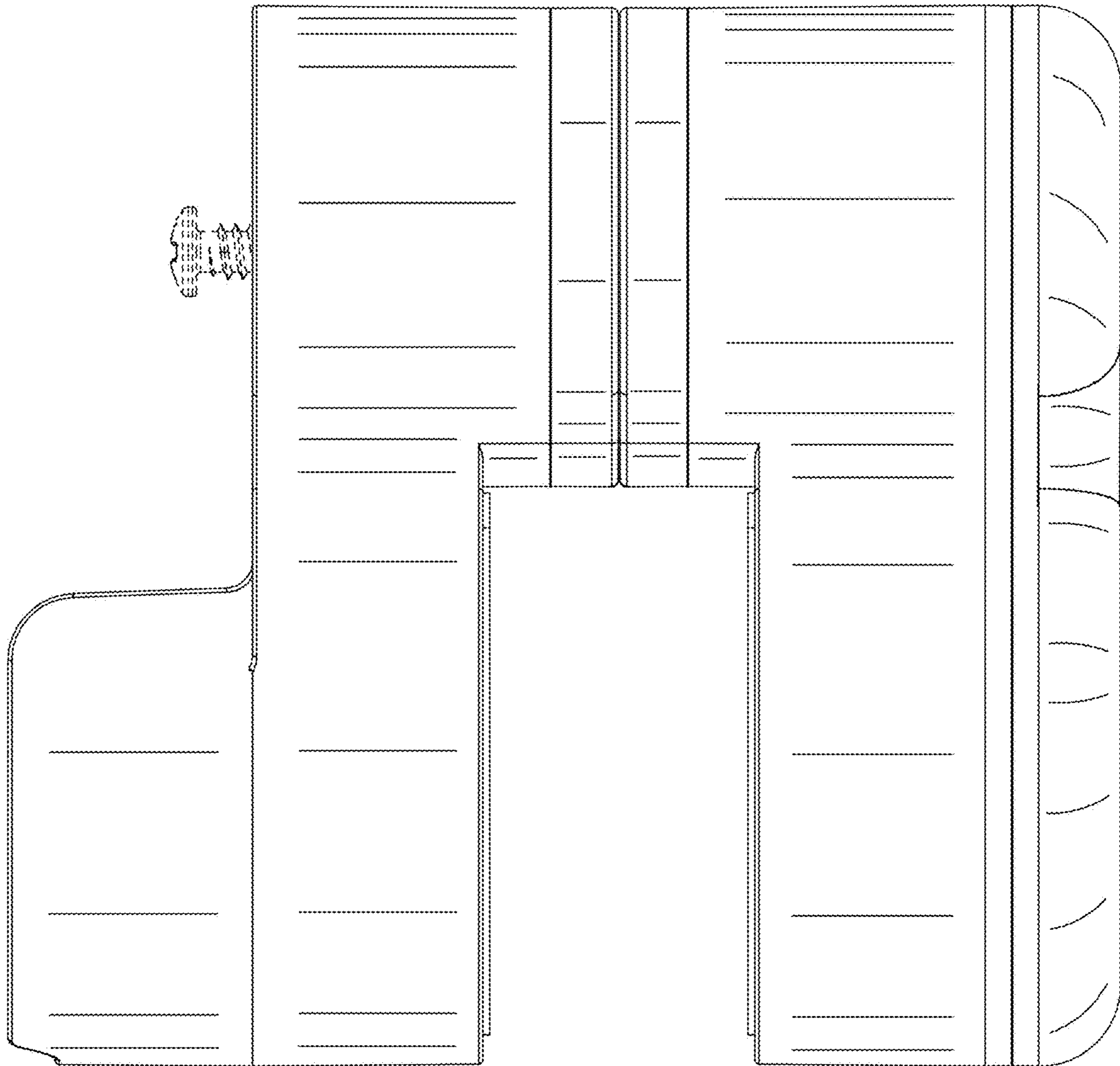


FIG.6

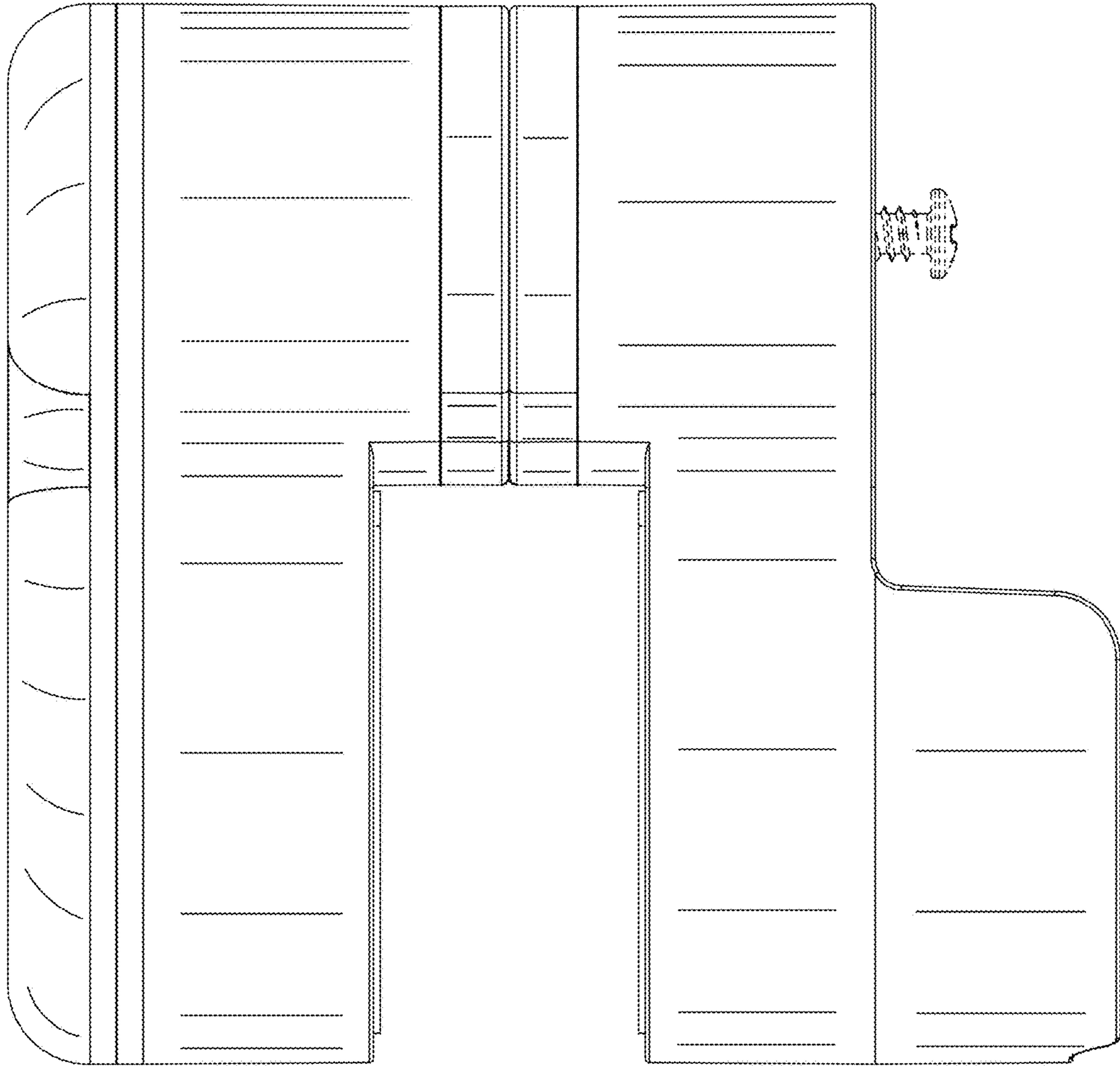


FIG. 7



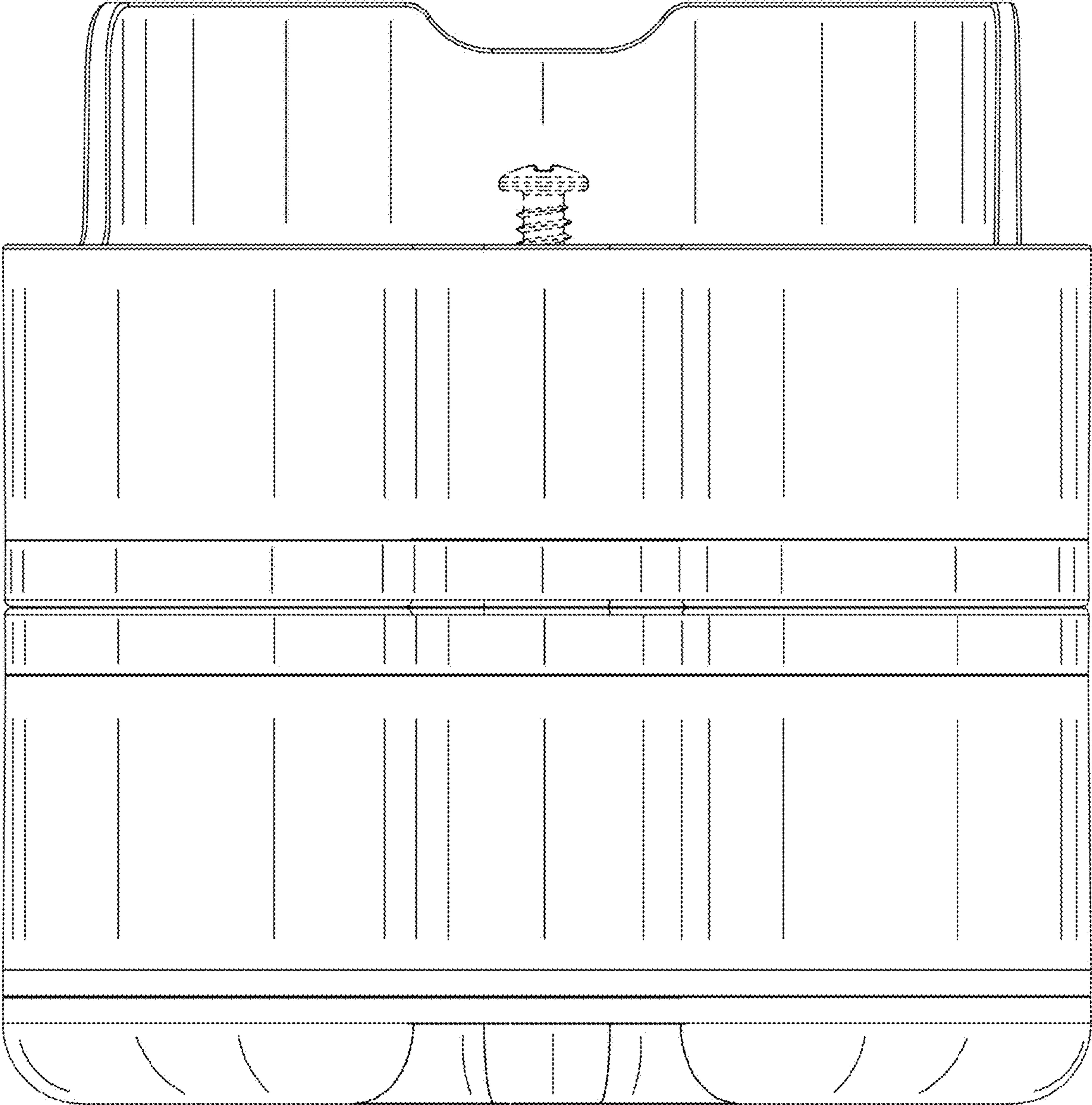


FIG.8

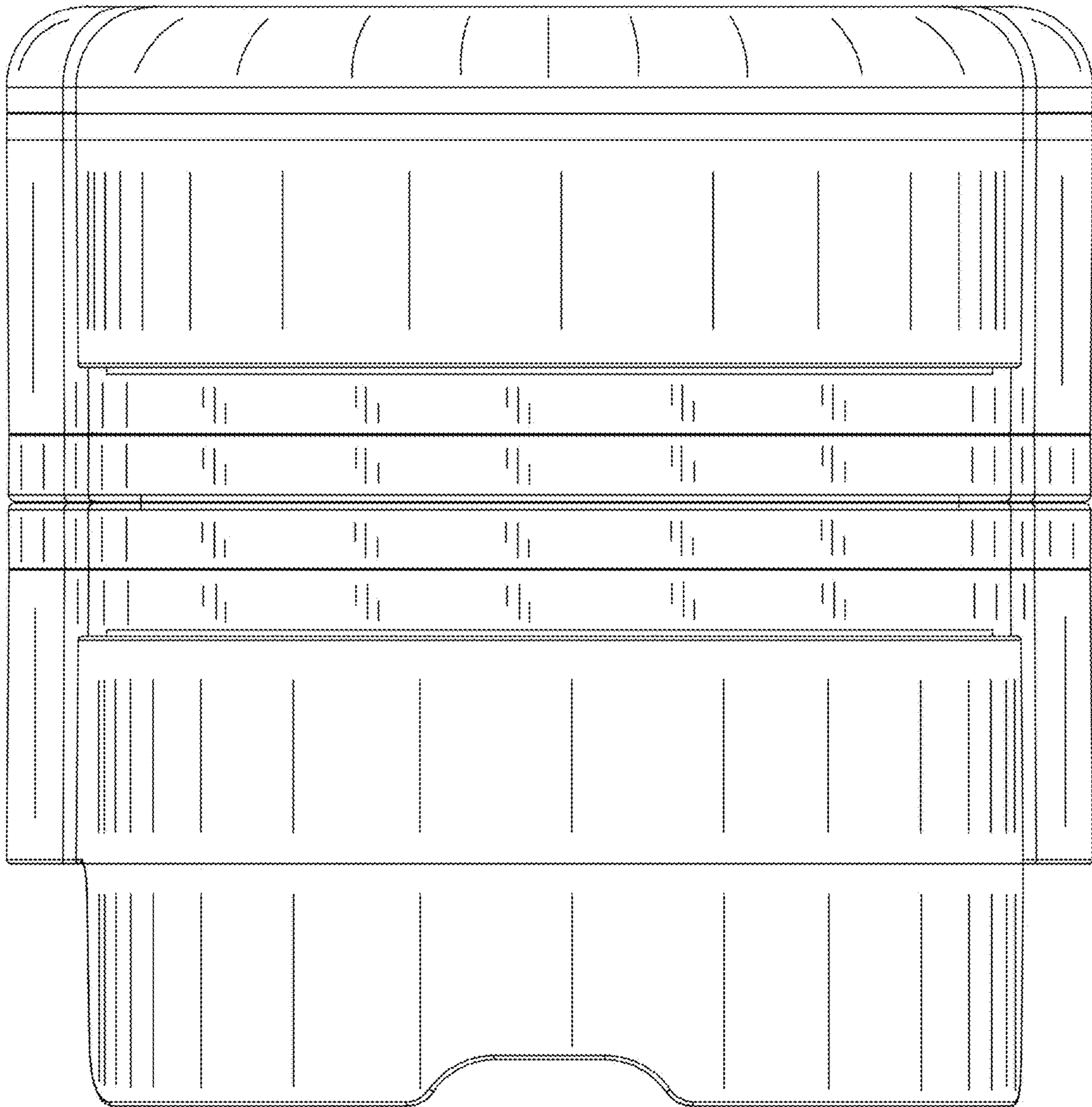


FIG.9