

US00D904498S

(12) **United States Design Patent**
Lim et al.

(10) **Patent No.:** **US D904,498 S**
(45) **Date of Patent:** **** Dec. 8, 2020**

(54) **CAMERA LENS FILTER**

(71) Applicant: **GoPro, Inc.**, San Mateo, CA (US)

(72) Inventors: **Way Chet Lim**, Menlo Park, CA (US);
Andrew Liu, San Carlos, CA (US);
Huy Phuong Nguyen, San Mateo, CA (US)

(73) Assignee: **GoPro, Inc.**, San Mateo, CA (US)

(**) Term: **15 Years**

(21) Appl. No.: **29/699,939**

(22) Filed: **Jul. 30, 2019**

Related U.S. Application Data

(63) Continuation of application No. 29/590,769, filed on Jan. 13, 2017, now Pat. No. Des. 861,766.

(51) **LOC (12) Cl.** **16-05**

(52) **U.S. Cl.**
USPC **D16/237**

(58) **Field of Classification Search**
USPC D16/200–220, 131, 237, 242, 239, 250,
D16/235, 130, 134, 136; D26/118,
D26/138–140; D30/110, 119, 124;
D14/242
CPC H04M 2250/52; H04N 5/2251; H04N
5/2252; H04N 5/2253; H01H 2231/046;
G02B 13/00; G02B 13/19621; G03B
11/048; G03B 11/04; G03B 11/041;
G03B 11/043; G03B 11/045
See application file for complete search history.

(56) **References Cited**

U.S. PATENT DOCUMENTS

4,302,078 A * 11/1981 Stravitz G03B 11/00
359/892
4,684,231 A * 8/1987 Athy G03B 11/00
359/892

D306,461 S * 3/1990 Evenson D19/65
D351,792 S * 10/1994 Morris, Sr. D9/425
D403,582 S * 1/1999 Nask D9/435
D403,583 S † 1/1999 Nask D9/435
5,896,993 A * 4/1999 Nask B65D 21/0219
206/508

(Continued)

OTHER PUBLICATIONS

Front Lens Cover GoPro Hero5 Hero6, published Sep. 28, 2016 [online], [retrieved Sep. 3, 2018], Available from Internet, URL: <https://www.youtube.com/watch?v=MZONvHRBp1A> at approximately 0:20.‡

(Continued)

Primary Examiner — Dana K Weiland

Assistant Examiner — Mary Claire Ramirez

(74) *Attorney, Agent, or Firm* — Young Basile Hanlon & MacFarlane, P.C.

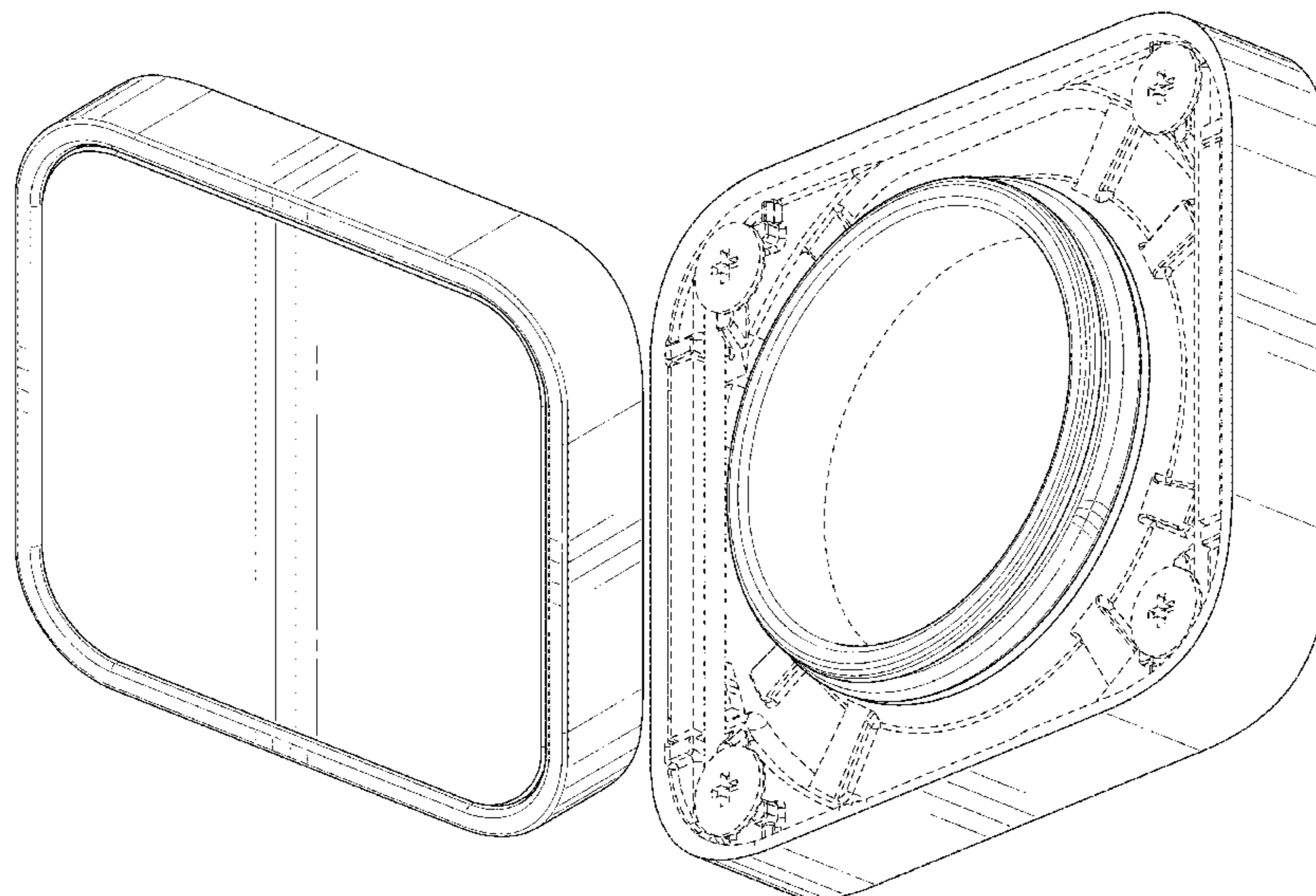
(57) **CLAIM**

The ornamental design for a camera lens filter, as shown and described.

DESCRIPTION

FIG. 1 is a front, top, and right side perspective view of a camera lens filter showing the new design;
FIG. 2 is a front view thereof;
FIG. 3 is a left view thereof;
FIG. 4 is a right view thereof;
FIG. 5 is a top view thereof;
FIG. 6 is a bottom view thereof;
FIG. 7 is a rear, lower, and left side perspective view thereof;
and,
FIG. 8 is a rear view of thereof.
Broken lines of equal length (e.g., dash-dash) depict portions of the camera lens filter that form no part of the claimed design.

1 Claim, 8 Drawing Sheets



(56)

References Cited

U.S. PATENT DOCUMENTS

6,454,444 B1 ‡ 9/2002 Wang E05D 7/1061
16/243
6,480,346 B2 ‡ 11/2002 Funakoshi G02B 7/025
359/808
D477,104 S ‡ 7/2003 Wang D26/72
6,802,418 B2 ‡ 10/2004 Atkinson B65D 25/22
206/278
D500,037 S * 12/2004 Ozolins D14/375
D535,699 S * 1/2007 Krapf D19/65
D540,669 S ‡ 4/2007 George D7/392.1
D542,288 S * 5/2007 Andre D14/314
D601,583 S ‡ 10/2009 Andre D14/496
D610,412 S * 2/2010 Matsumoto D7/629
D621,397 S * 8/2010 Andre D14/314
D622,591 S ‡ 8/2010 Biesecker D9/435
D641,098 S ‡ 7/2011 Wildner D26/85
D649,574 S * 11/2011 Kobayashi D16/219
D650,821 S * 12/2011 Verhey D16/134
D656,654 S ‡ 3/2012 Wauters D26/89
D668,374 S ‡ 10/2012 Wauters D26/89
D675,173 S * 1/2013 Paradise D14/125
D684,718 S ‡ 6/2013 Ko D26/72
D686,065 S * 7/2013 Kuo D9/432
D689,537 S ‡ 9/2013 Campbell D16/237
D692,472 S ‡ 10/2013 Samuels D16/136
D698,974 S * 2/2014 Aniserowicz D26/74
D699,275 S ‡ 2/2014 Samuels D16/136
D702,393 S ‡ 4/2014 Ansierowicz D26/89
D702,754 S * 4/2014 Bould D16/237
D703,354 S ‡ 4/2014 Kotsis D26/37
D710,921 S * 8/2014 Gioscia D16/200
D730,570 S ‡ 5/2015 Chen D26/128
D733,787 S ‡ 7/2015 Baker D16/237
D733,788 S ‡ 7/2015 Baker D16/237
D735,260 S ‡ 7/2015 Bould D16/237
D740,868 S ‡ 10/2015 Gioscia D16/200
D741,394 S * 10/2015 Gioscia D16/200
D745,480 S * 12/2015 Mathews D14/125
D754,240 S * 4/2016 Samuels D16/219
D754,319 S ‡ 4/2016 Park D23/385
D759,287 S ‡ 6/2016 Chen D26/128
D764,419 S * 8/2016 Kashimoto D13/168
9,432,561 B2 ‡ 8/2016 Samuels G03B 17/568
D765,508 S ‡ 9/2016 Wu D9/439
9,451,727 B2 ‡ 9/2016 Tolbert H05K 1/0209
D769,234 S ‡ 10/2016 Rami D14/253
D769,346 S * 10/2016 Nguyen D16/218
D769,366 S * 10/2016 Hiraguchi D18/12.1
9,507,245 B1 ‡ 11/2016 Druker A45F 5/00
D773,546 S * 12/2016 Nguyen D16/218
D775,627 S * 1/2017 Yang D14/217
D777,683 S * 1/2017 Kashimoto D13/168
D777,821 S * 1/2017 Gioscia D16/219
D778,335 S ‡ 2/2017 Gioscia D16/200
D778,336 S ‡ 2/2017 Gioscia D16/219

D780,137 S * 2/2017 Tallqvist D14/125
D789,435 S * 6/2017 Nguyen D16/202
D790,002 S * 6/2017 Nguyen D16/218
D794,696 S * 8/2017 Nguyen D16/218
D797,100 S ‡ 9/2017 Wieser D14/358
D800,820 S * 10/2017 Bergman D16/237
D805,117 S * 12/2017 Nguyen D16/218
D808,565 S * 1/2018 Ambrozus D26/74
D820,083 S ‡ 6/2018 Daley D9/435
D821,481 S * 6/2018 Gioscia D16/219
D829,554 S * 10/2018 Liston D9/529
D834,012 S * 11/2018 Bolmstrand D14/336
D834,236 S ‡ 11/2018 Amato D26/89
D839,664 S ‡ 2/2019 Pentelovitch D7/391
D840,463 S * 2/2019 Nguyen D16/218
D843,209 S ‡ 3/2019 Daley D9/435
D850,187 S * 6/2019 Pentelovitch D7/391
D861,766 S * 10/2019 Lim D16/237
D862,779 S * 10/2019 Anderson D26/118
D874,423 S * 2/2020 Wu D14/168
D875,972 S * 2/2020 Li D26/24
D876,176 S * 2/2020 Pentelovitch D7/629
D876,178 S * 2/2020 Pentelovitch D7/629
D884,061 S * 5/2020 Arens D16/242
2006/0255041 A1 ‡ 11/2006 Parks B65D 21/0219
220/301
2010/0208434 A1 ‡ 8/2010 Kim G06F 1/1626
361/729
2013/0107111 A1 ‡ 5/2013 Campbell H04N 5/2252
348/373
2016/0252801 A1 * 9/2016 Harrison G03B 17/561
396/27
2017/0010518 A1 ‡ 1/2017 Tang G03B 11/043
2017/0057711 A1 ‡ 3/2017 Miller B65D 50/045
2017/0168374 A1 ‡ 6/2017 Lim G03B 11/06
2018/0016065 A1 * 1/2018 Ho B65D 45/32
2018/0084160 A1 ‡ 3/2018 Miyashita H04N 5/2252
2019/0158742 A1 * 5/2019 Woodman H04N 5/23241
2019/0345747 A1 * 11/2019 Coons B65D 45/24

OTHER PUBLICATIONS

Front Protective Lens Removal and Replacement—GoPro Hero 5 Black, published Dec. 4, 2016 [online], [retrieved Sep. 3, 2018], Available from Internet, URL: <https://www.youtube.com/watch?v=oFK9VgPiQXk> at approximately 0:12. ‡
Front Lens Cover GoPro Hero5 Hero6, published Sep. 28, 2016 [online], [retrieved Sep. 3, 2018], Available from Internet, URL: <https://www.youtube.com/watch?v=MZONvHRBpIA> at approximately 0:20, 1 page.
Front Protective Lens Removal and Replacement—GoPro Hero 5 Black, published Dec. 4, 2016 [online], [retrieved Sep. 3, 2018], Available from Internet, URL: <https://www.youtube.com/watch?v=oFK9VgPiQXk> at approximately 0:12, 1 page.

* cited by examiner

‡ imported from a related application

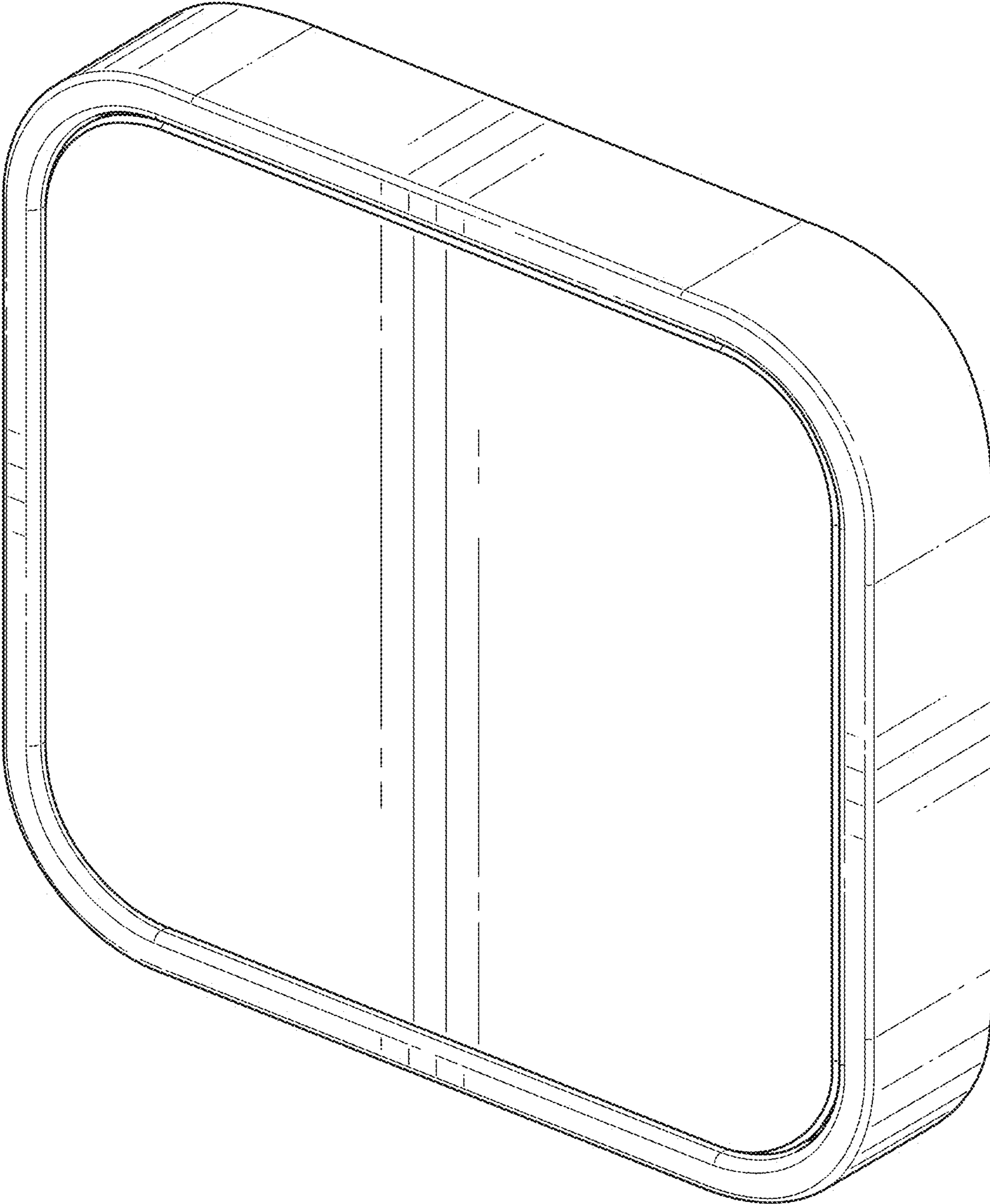


FIG. 1

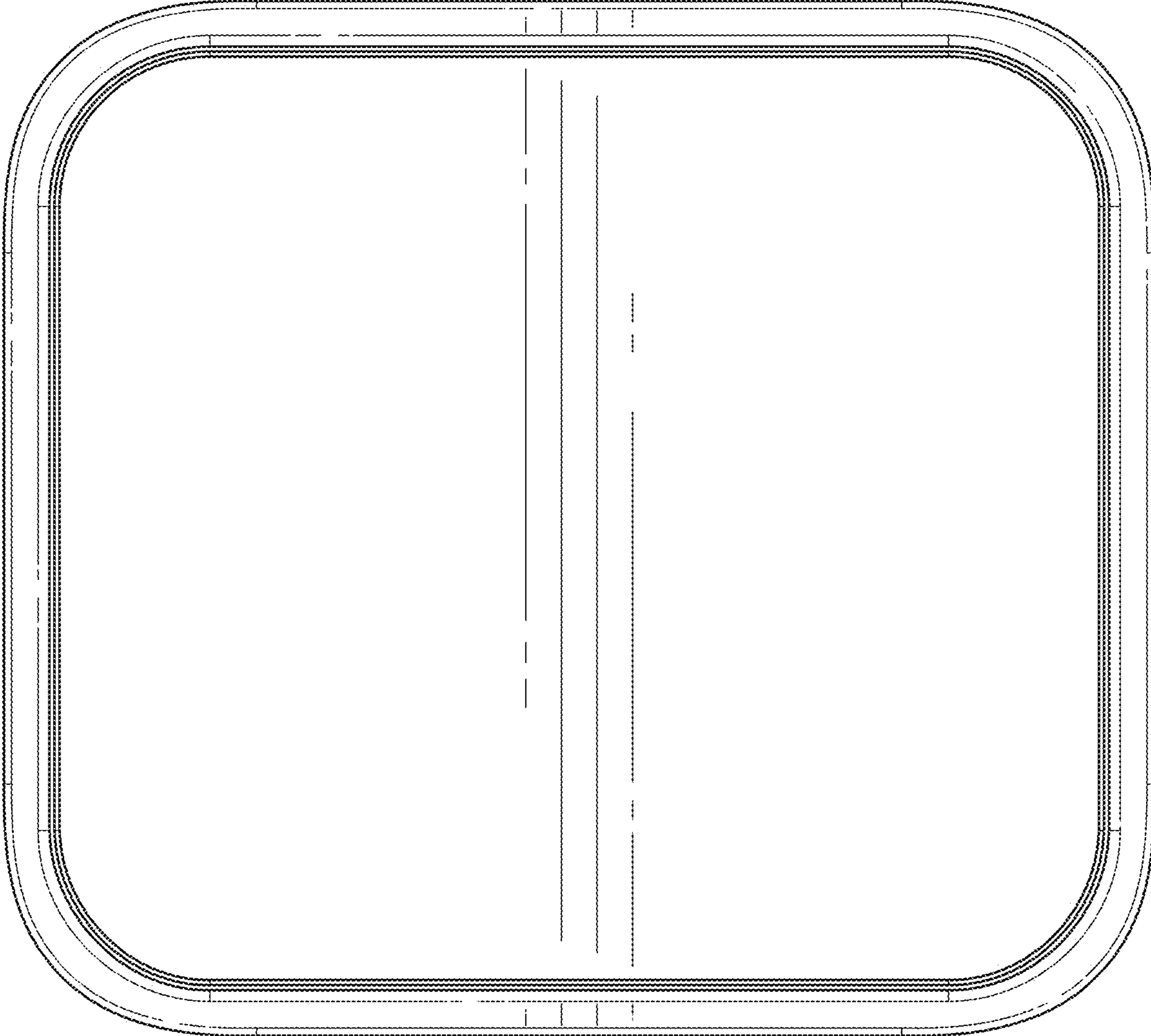


FIG. 2

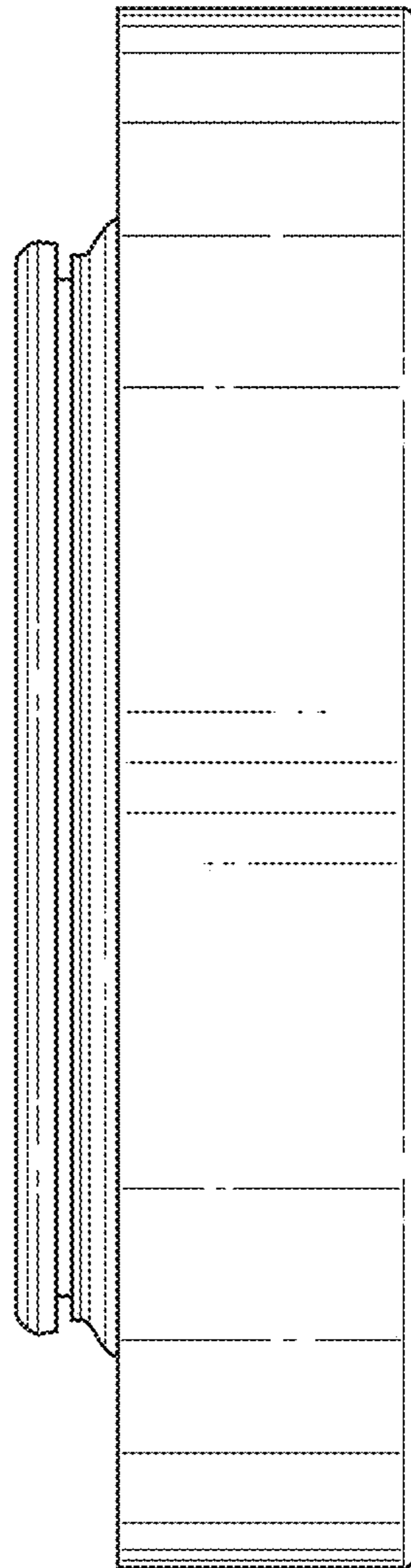


FIG. 3

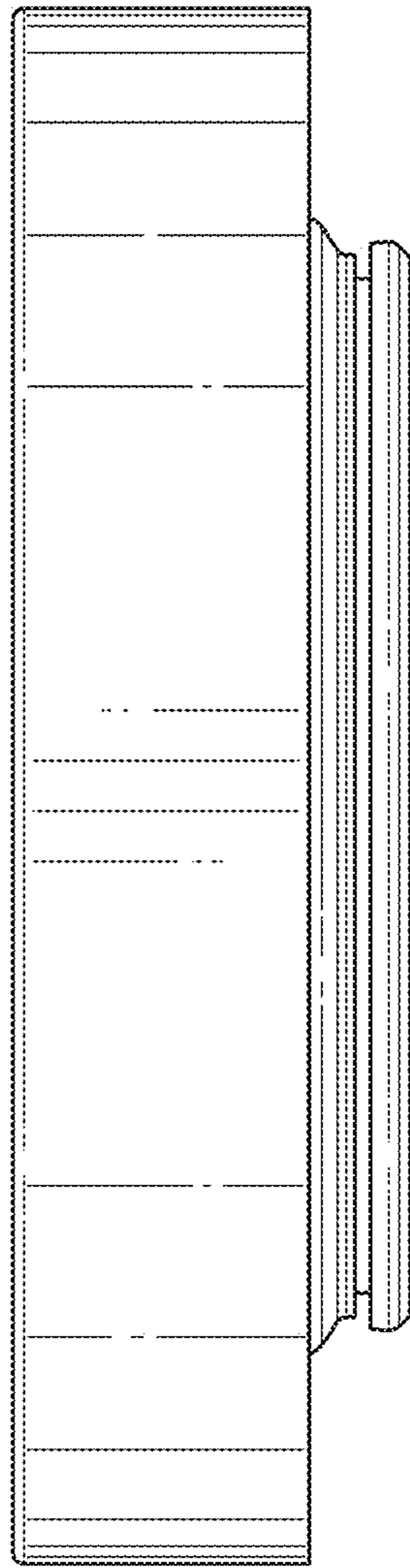


FIG. 4

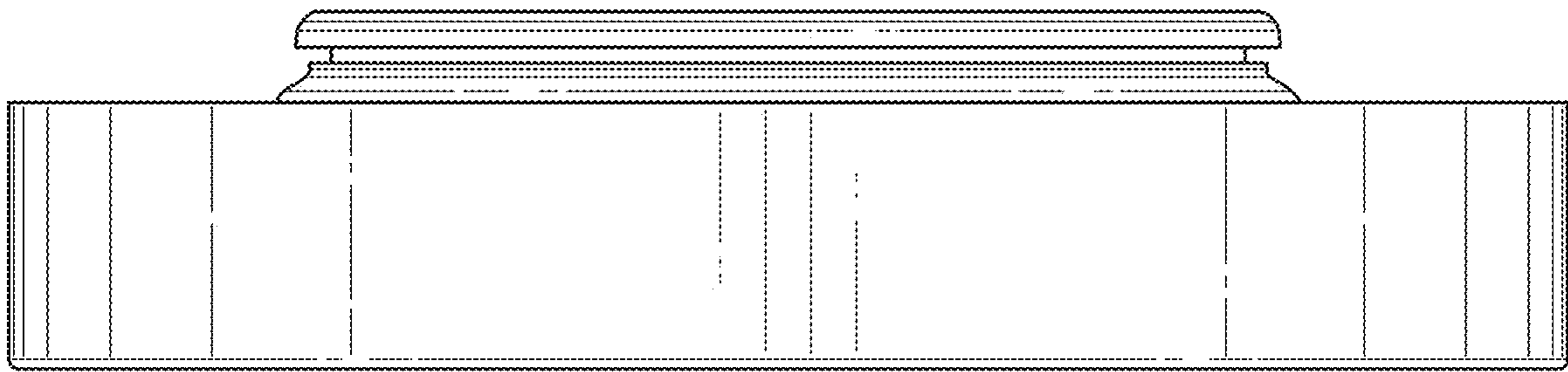


FIG. 5

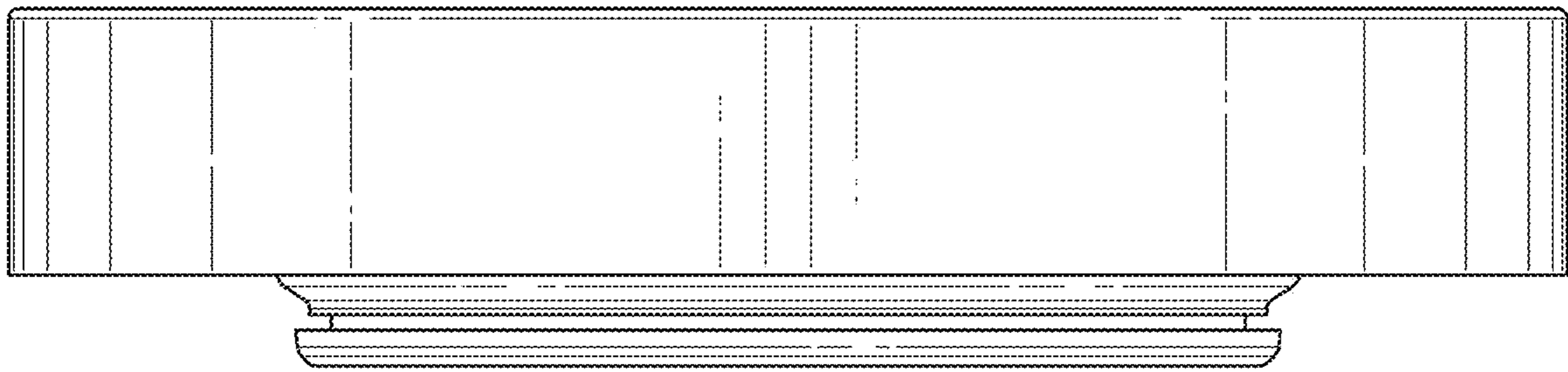


FIG. 6

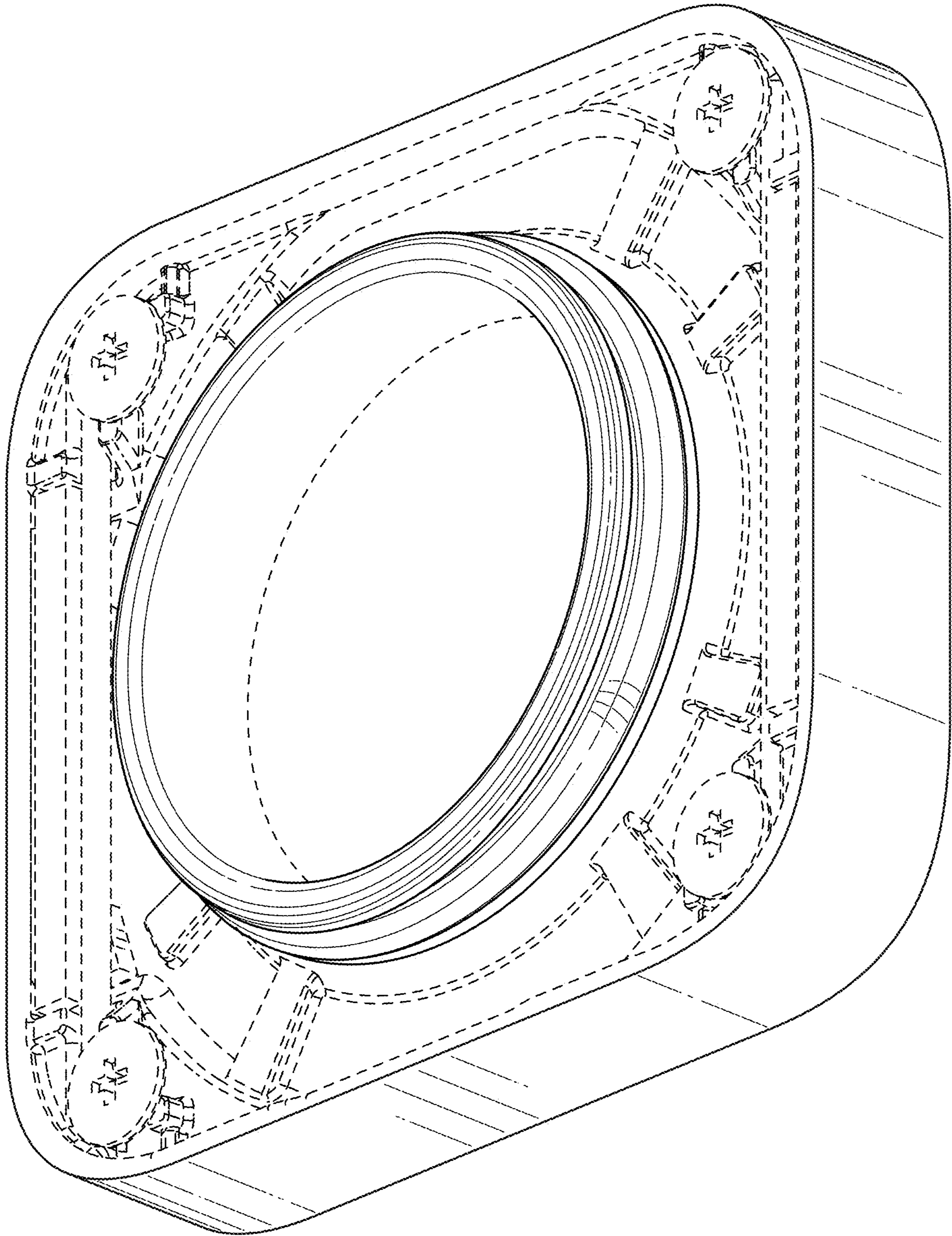


FIG. 7

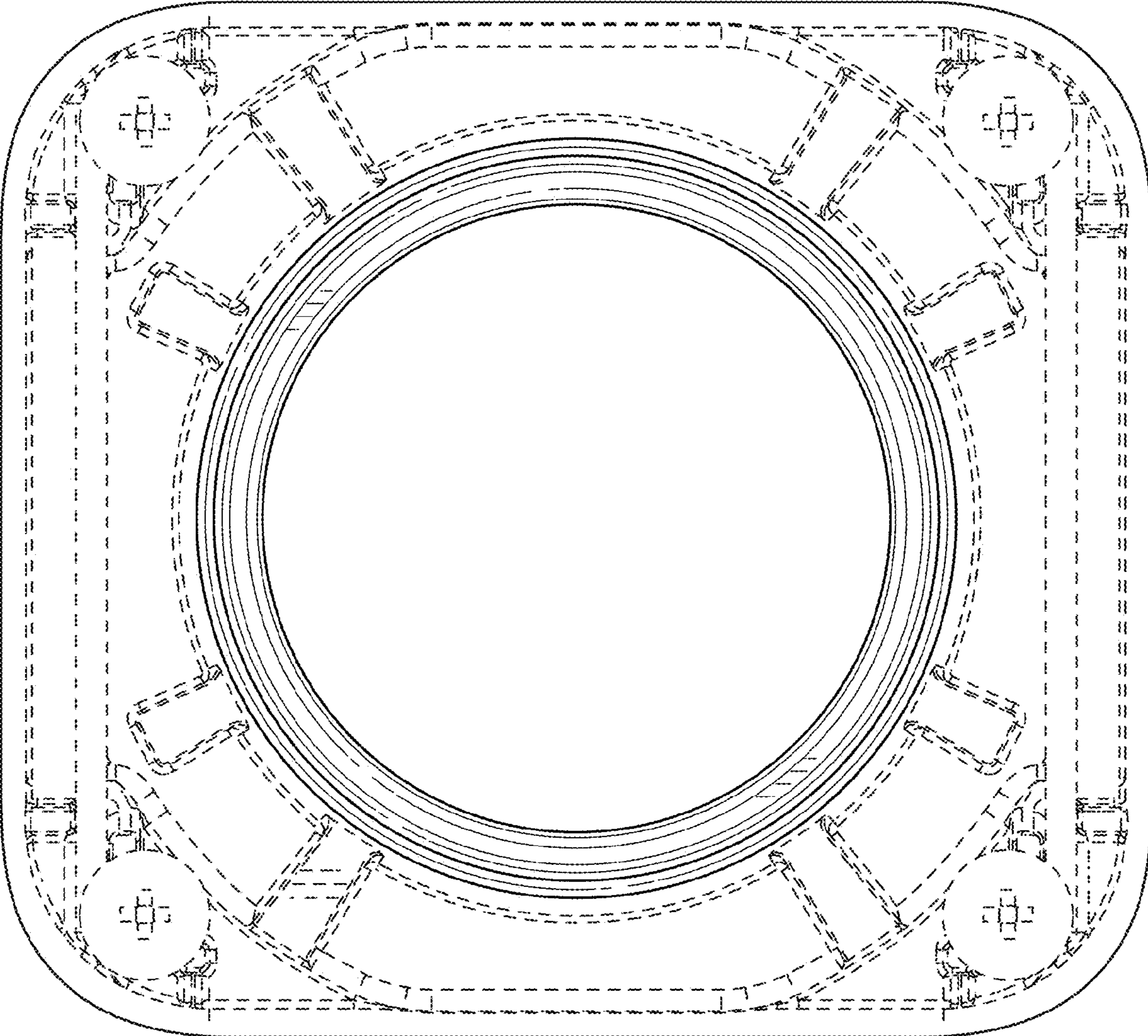


FIG. 8