



US00D904497S

(12) **United States Design Patent**
Tan

(10) **Patent No.:** **US D904,497 S**

(45) **Date of Patent:** **** Dec. 8, 2020**

(54) **LASER PROJECTOR**

(71) Applicant: **Shenzhen Kubai Technologies Co., Ltd.**, Shenzhen (CN)

(72) Inventor: **Wenhao Tan**, Shenzhen (CN)

(73) Assignee: **SHENZHEN KUBAI TECHNOLOGIES CO., LTD.**, Shenzhen (CN)

(**) Term: **15 Years**

(21) Appl. No.: **29/691,049**

(22) Filed: **May 14, 2019**

(51) **LOC (12) Cl.** **16-02**

(52) **U.S. Cl.**
USPC **D16/235**; D16/230

(58) **Field of Classification Search**
USPC D16/221, 225, 229–231, 234–235, 203,
D16/208; D21/514; D26/4, 51;
353/119, 122
CPC G03B 21/145; G03B 21/142; G03B 21/14;
G03B 21/16; G03B 21/00; G03B 21/001;
G03B 21/003; G03B 21/12
See application file for complete search history.

(56) **References Cited**

U.S. PATENT DOCUMENTS

D204,032 S *	3/1966	Herbst et al.	D16/234
D605,682 S *	12/2009	Messner	D16/225
D635,175 S *	3/2011	Tompkin	D16/235
8,061,858 B2 *	11/2011	Belliveau	G03B 21/145 353/119
8,955,979 B2 *	2/2015	Velazquez	G03B 21/14 353/31
9,405,176 B2 *	8/2016	Kinebuchi	G03B 21/145
D777,822 S *	1/2017	Velazquez	D16/225
9,667,924 B2 *	5/2017	Mukai	G03B 21/145
D857,781 S *	8/2019	Wang	D16/231

D863,408 S *	10/2019	Zheng	D16/231
D878,451 S *	3/2020	Pigino	D16/229
2005/0041221 A1 *	2/2005	Buroni	G03B 21/16 353/119
2017/0299952 A1 *	10/2017	Jorgensen	G03B 21/145
2018/0084921 A1 *	3/2018	Huang	G03B 21/145

FOREIGN PATENT DOCUMENTS

KR	301000672.0000	*	8/2018
KR	301061899.0000	*	8/2019

* cited by examiner

Primary Examiner — Wan Laymon

(74) *Attorney, Agent, or Firm* — Bayramoglu Law Offices LLC

(57) **CLAIM**

The ornamental design for a laser projector, as shown and described.

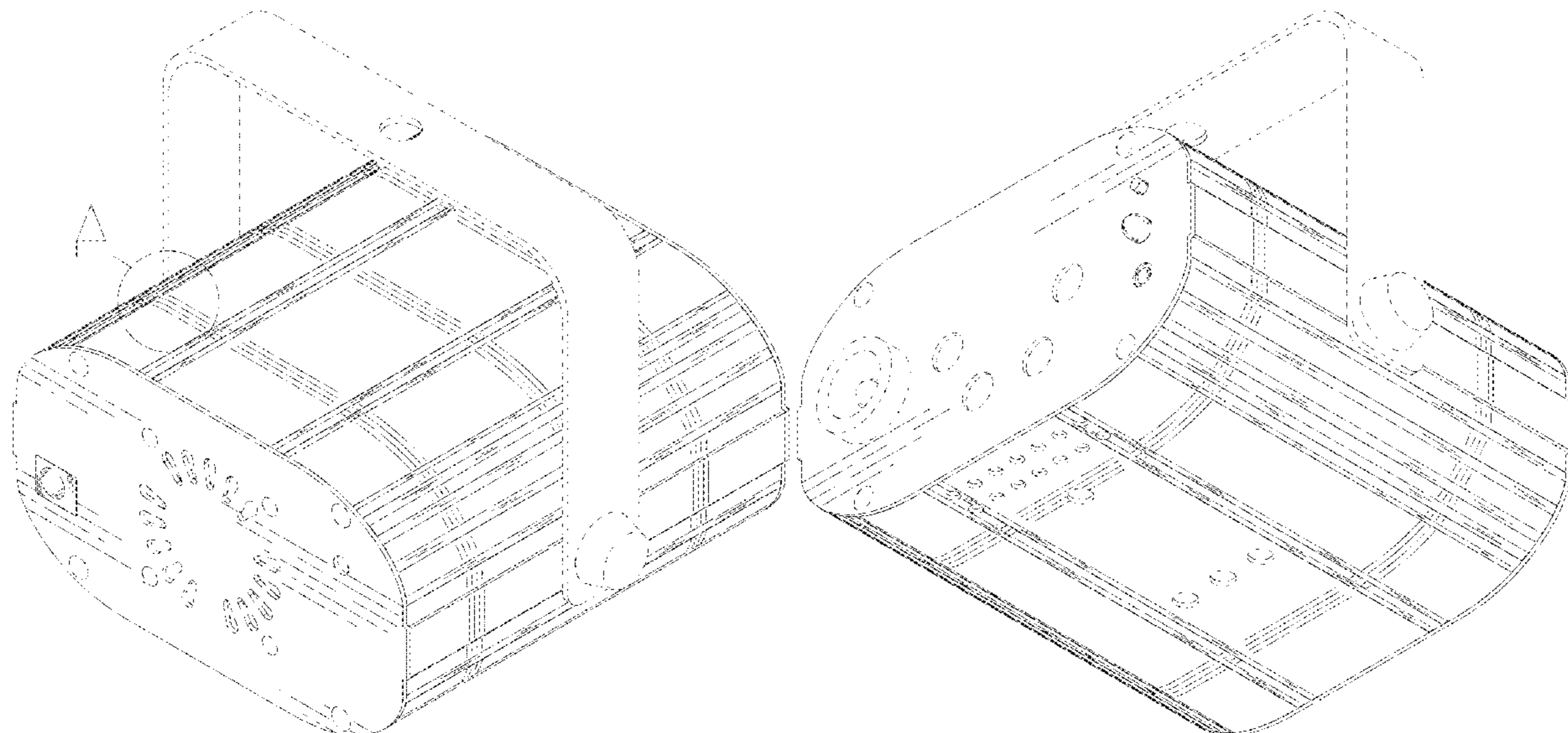
DESCRIPTION

FIG. 1 is a perspective view of a laser projector showing the new design;
FIG. 2 is another perspective view thereof;
FIG. 3 is a front elevational view thereof;
FIG. 4 is a rear elevational view thereof;
FIG. 5 is a left side view thereof;
FIG. 6 is a right side view thereof;
FIG. 7 is a top plan view thereof; and,
FIG. 8 is a bottom plan view thereof; and,
FIG. 9 is a partial enlarged view of the indicated area “A” in FIG. 1.

The broken lines depict portions of a laser projector in which the design is embodied that form no part of the claimed design.

The broken lines indicating an enlargement portion of the design form no part of the claimed design.

1 Claim, 9 Drawing Sheets



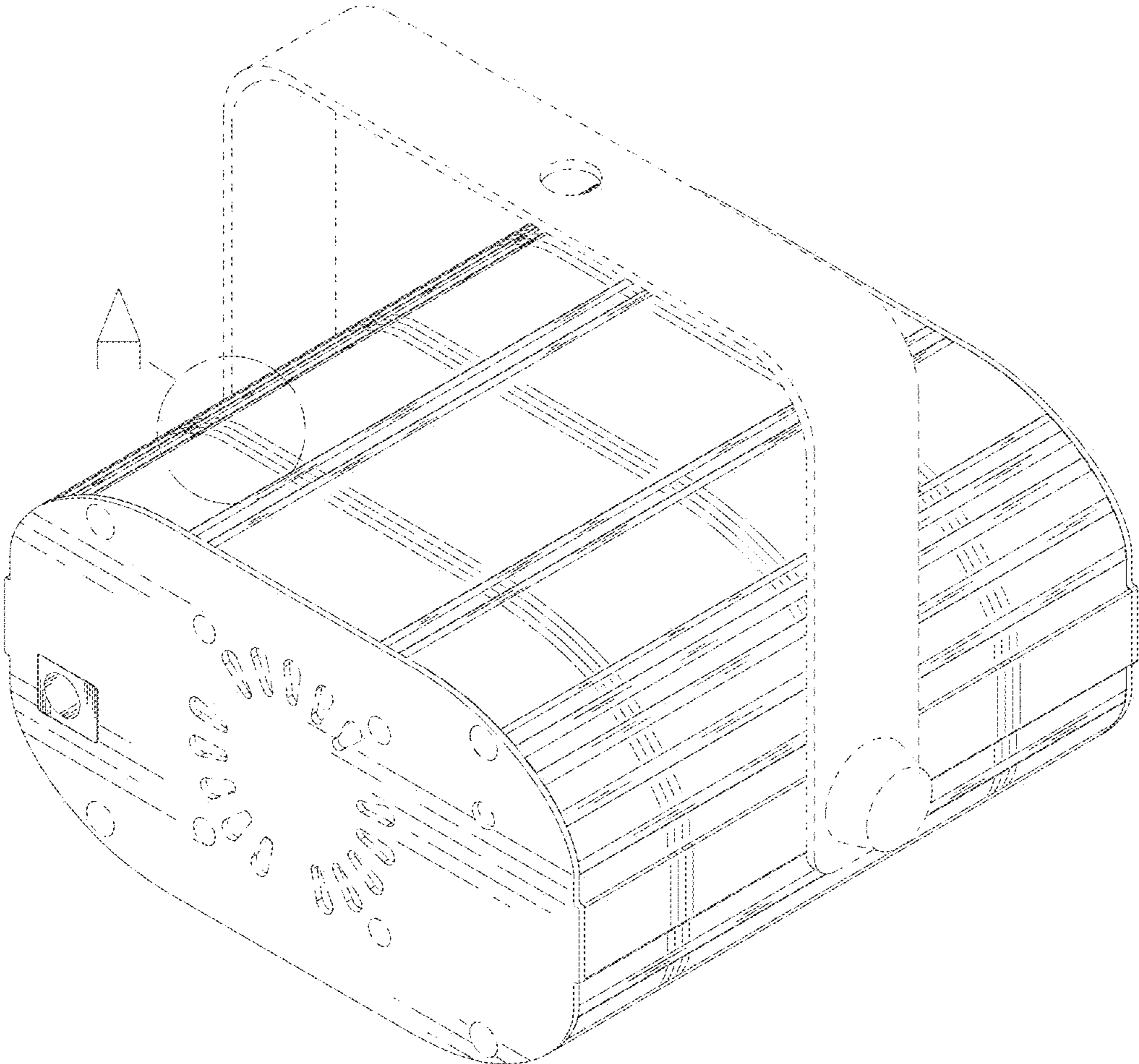


FIG. 1

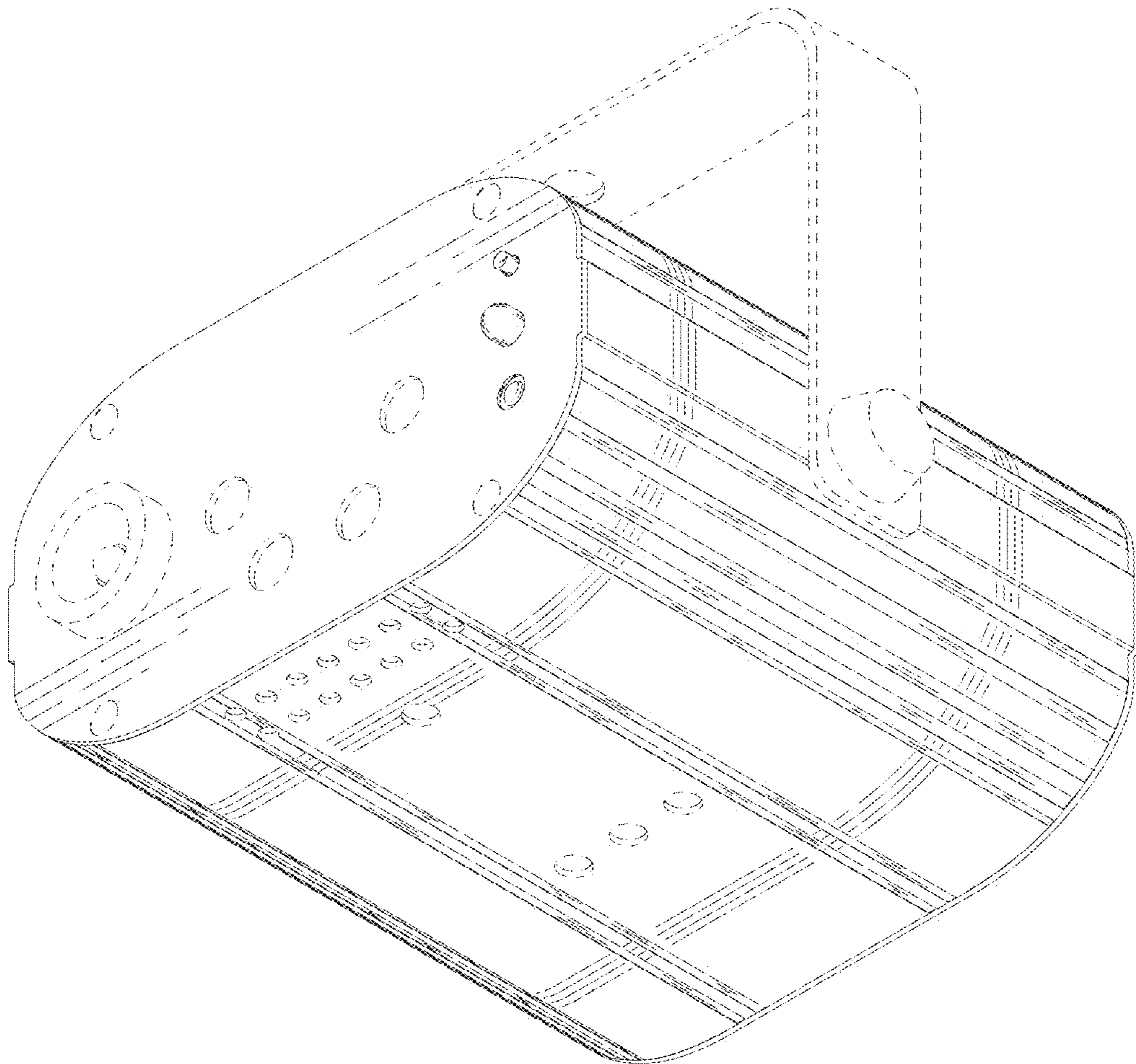


FIG.2

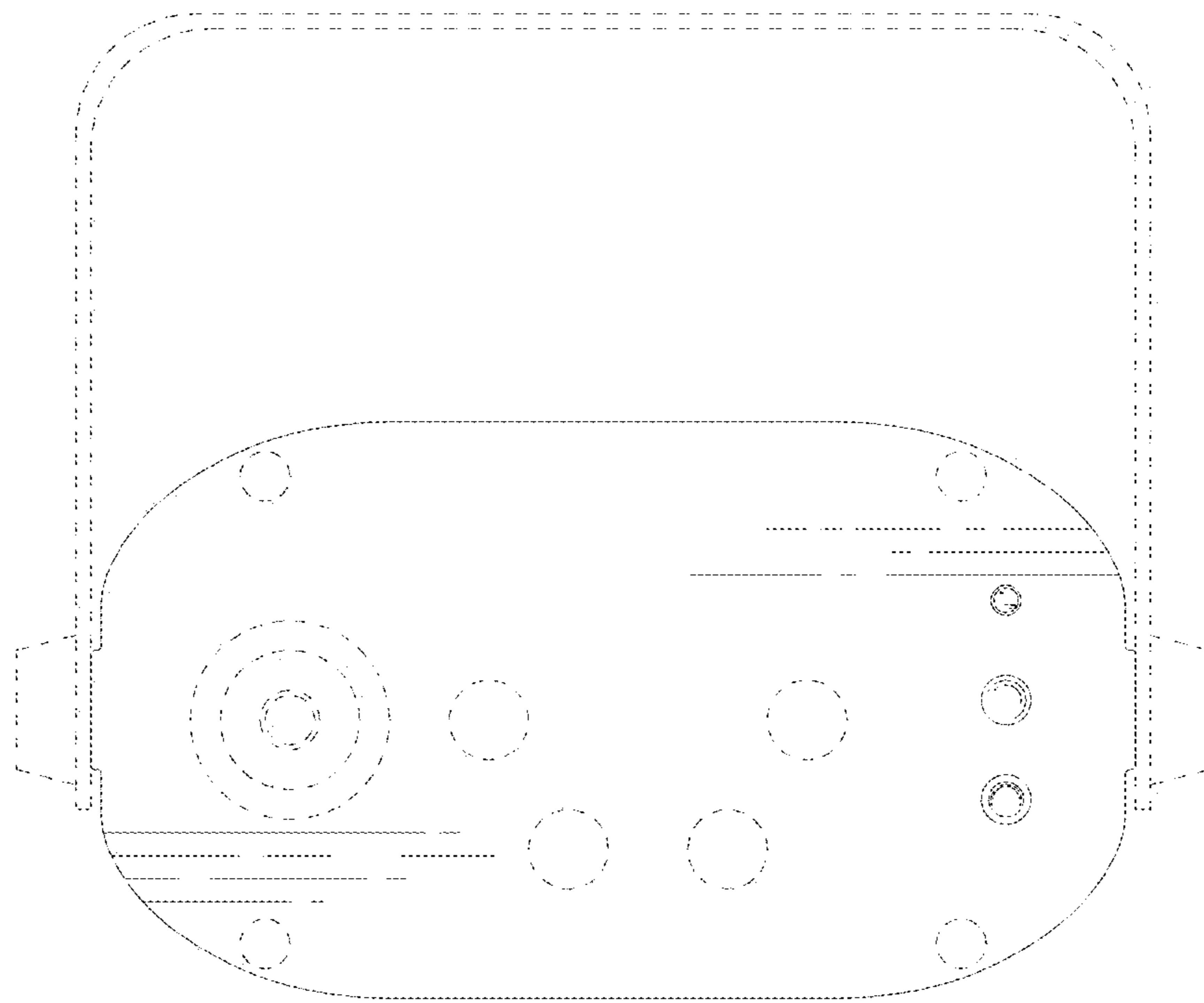


FIG. 3

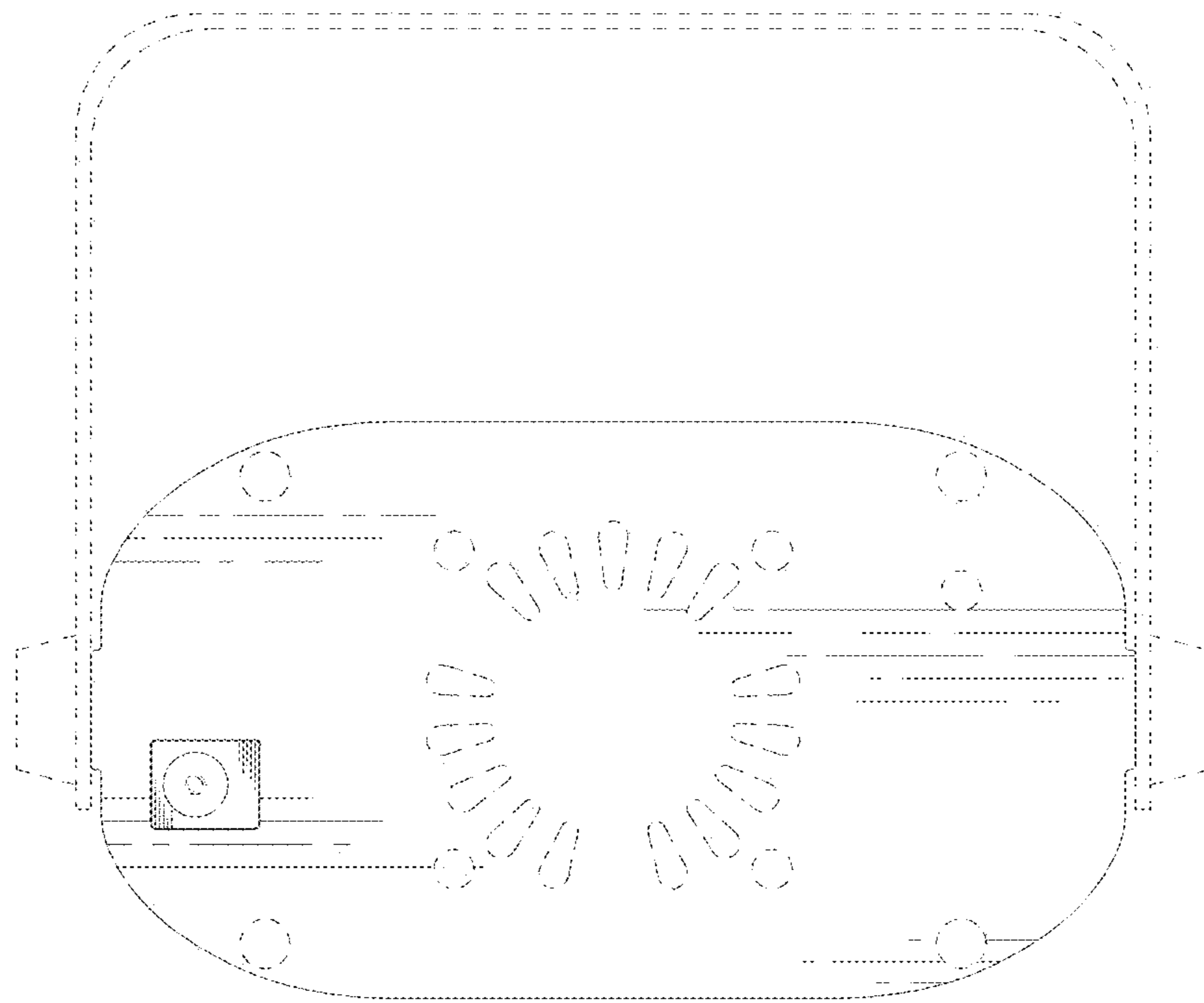


FIG.4

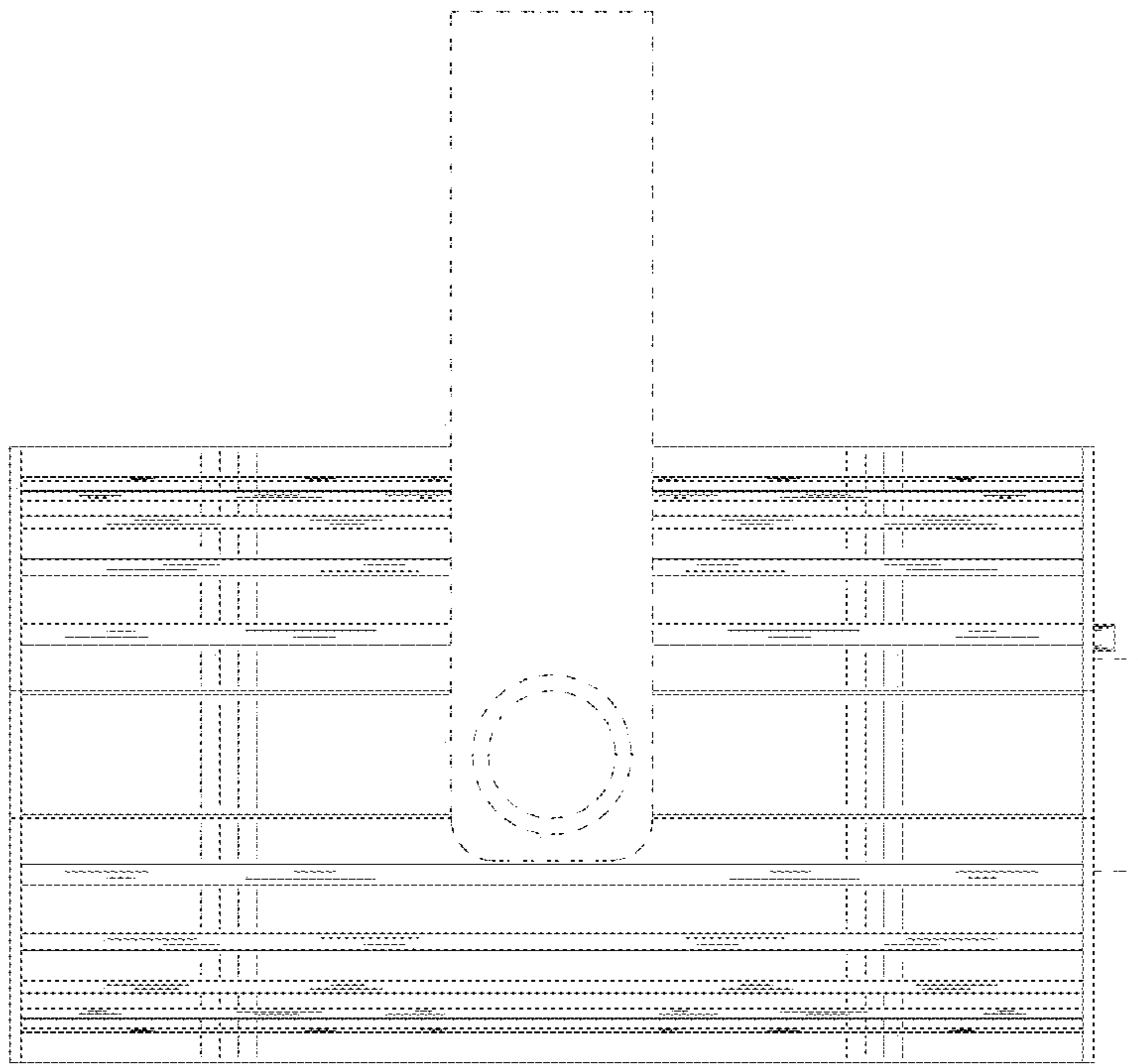


FIG.5

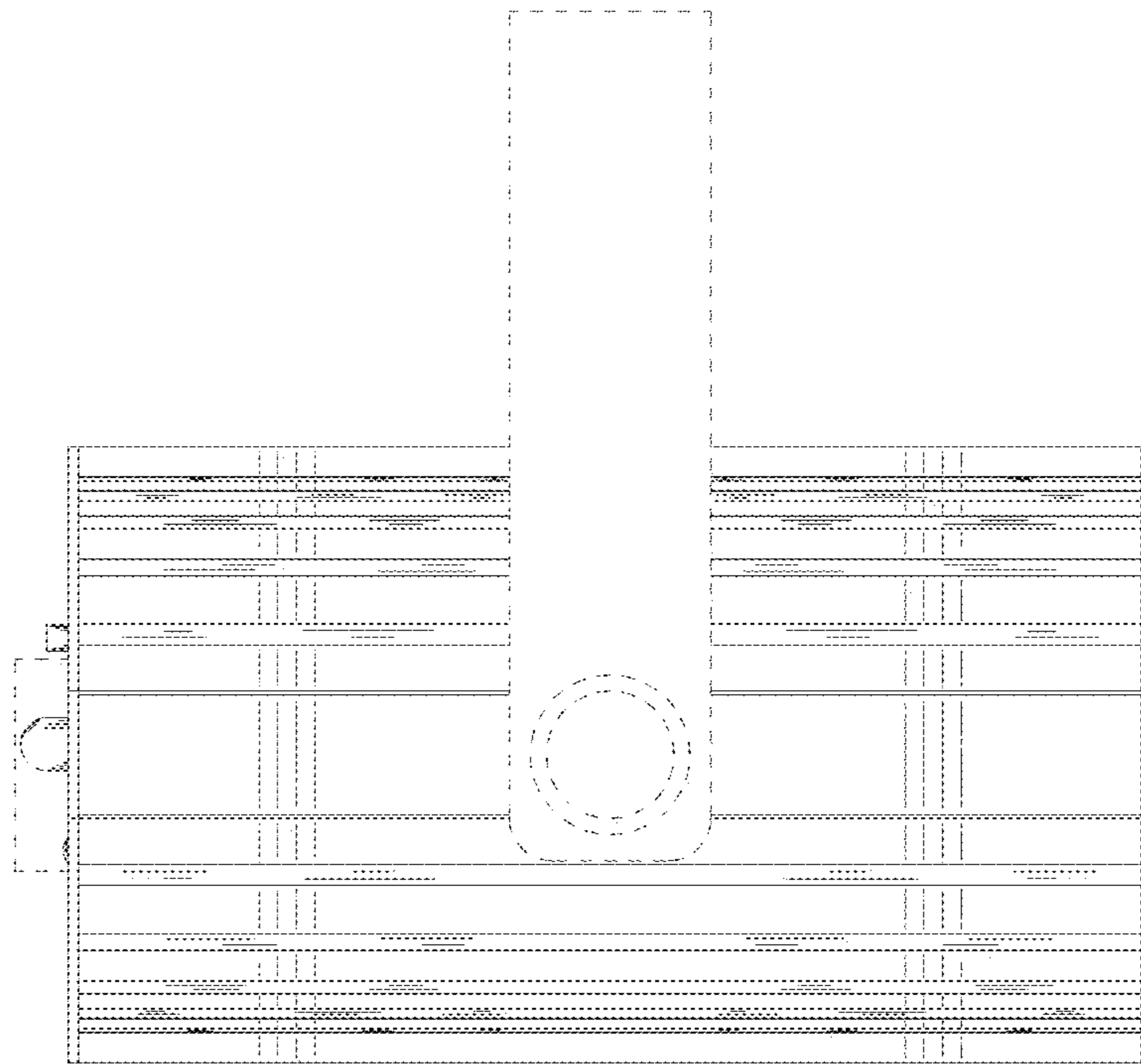


FIG.6

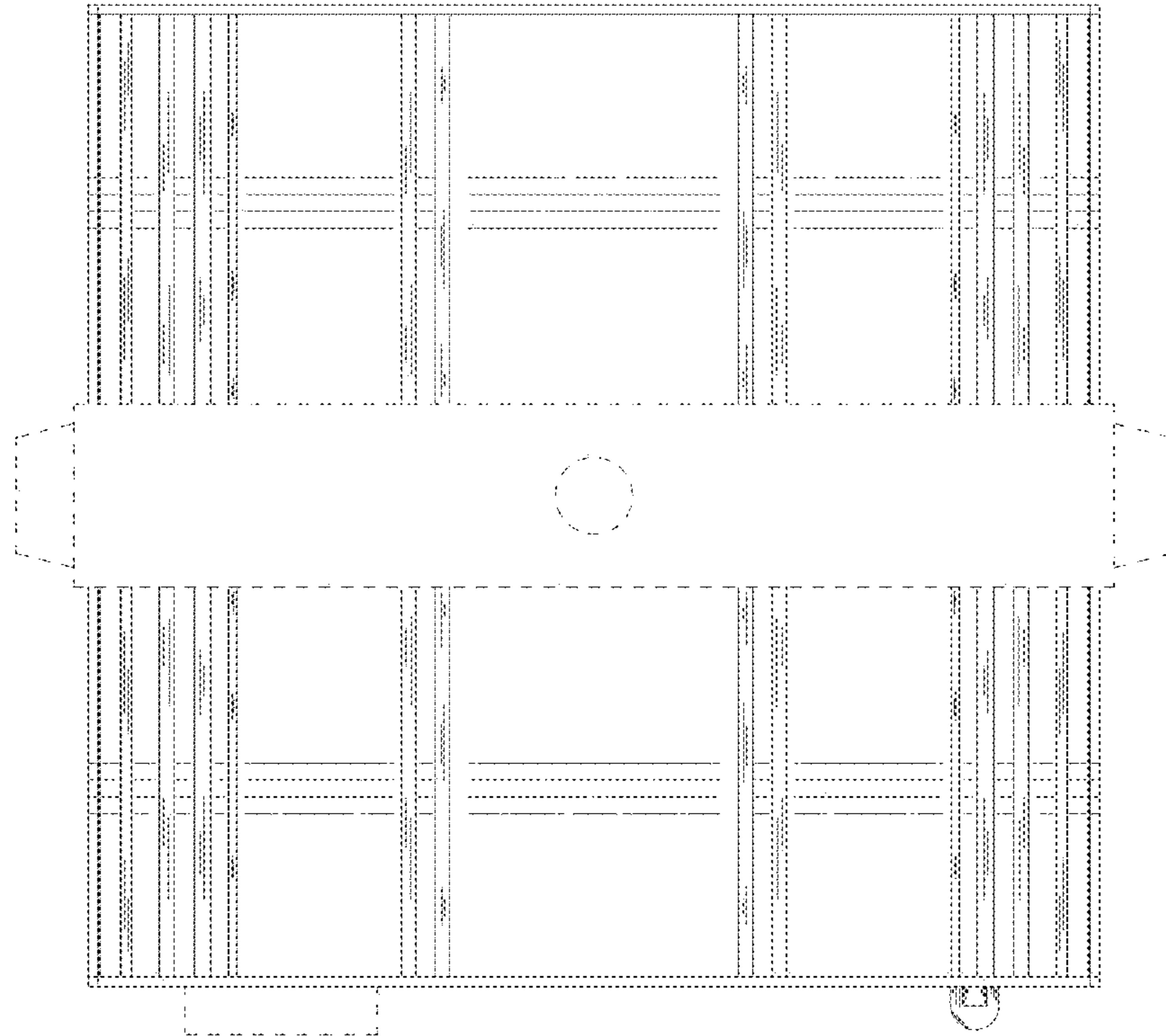


FIG. 7

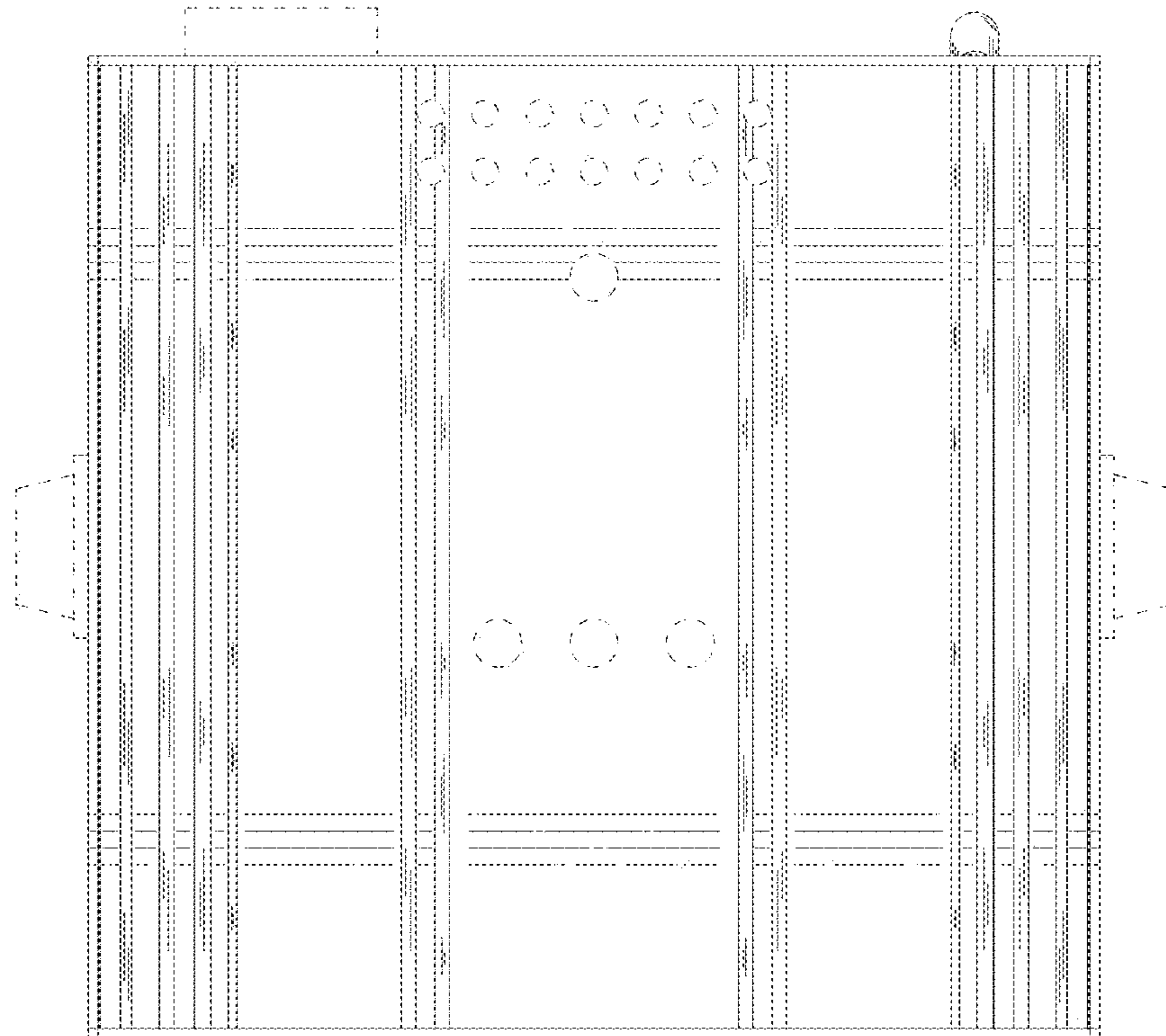


FIG.8

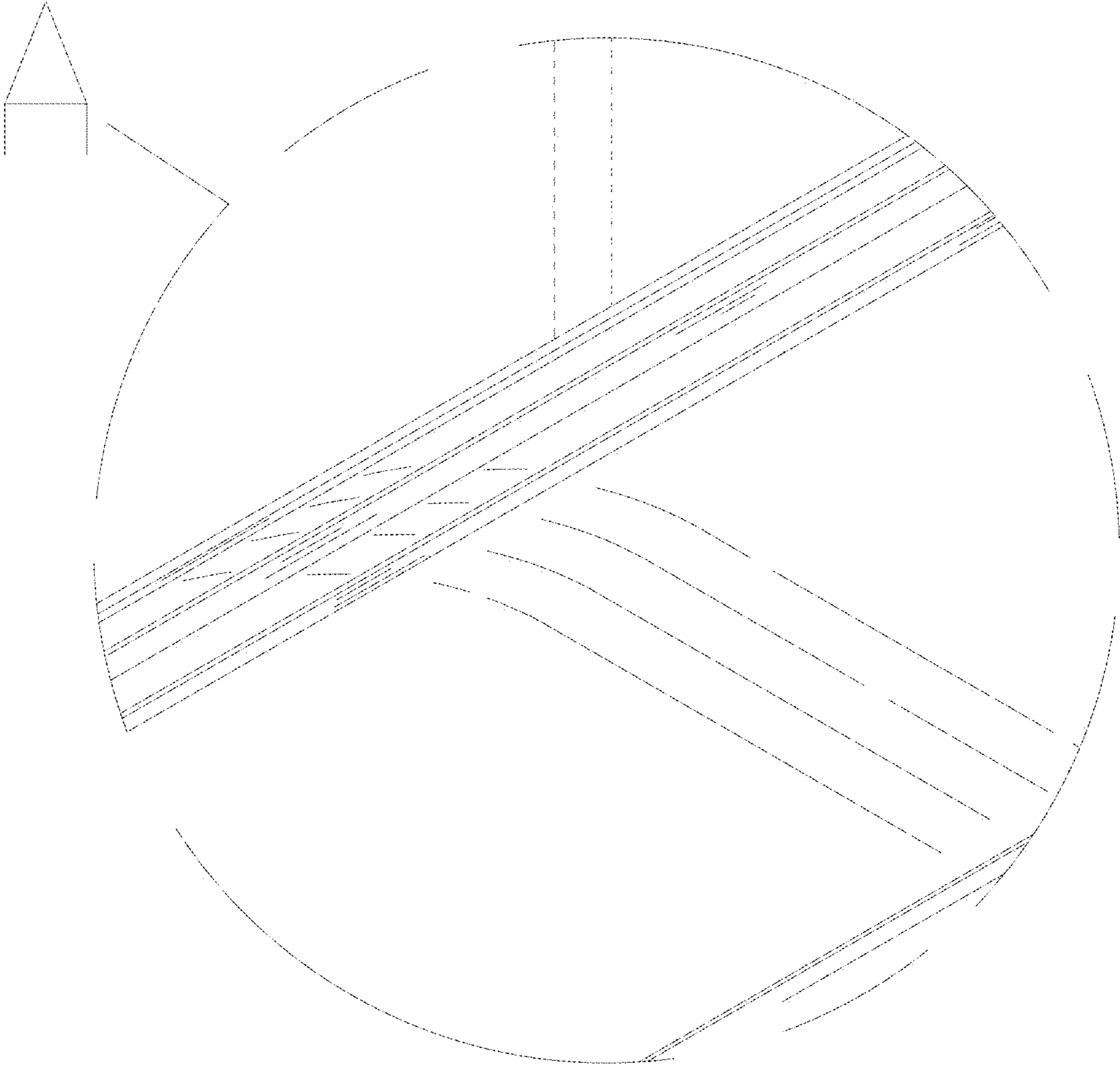


FIG.9