



US00D904496S

(12) **United States Design Patent** (10) **Patent No.:** **US D904,496 S**
Tanaka et al. (45) **Date of Patent:** **** Dec. 8, 2020**

(54) **PROJECTOR**

FOREIGN PATENT DOCUMENTS

(71) Applicant: **FUJIFILM Corporation**, Tokyo (JP)

JP 1565983 S 11/2018

(72) Inventors: **Kunihiko Tanaka**, Saitama (JP); **Koji Yoshida**, Saitama (JP)

JP 1636212 S 7/2019

JP 1636573 S 7/2019

(73) Assignee: **FUJIFILM Corporation**, Tokyo (JP)

OTHER PUBLICATIONS

(**) Term: **15 Years**

An Office Action mailed by the Japanese Patent Office on Jul. 19, 2019, which corresponds to Japanese Design Application No. 2018-019075 and is related to Design U.S. Appl. No. 29/681,298; with English language translation.

(21) Appl. No.: **29/681,298**

(22) Filed: **Feb. 25, 2019**

Primary Examiner — Wan Laymon

(30) **Foreign Application Priority Data**

(74) *Attorney, Agent, or Firm* — Studebaker & Brackett PC

Aug. 31, 2018 (JP) 2018-019075

(51) **LOC (12) Cl.** **16-02**

(52) **U.S. Cl.**
USPC **D16/235**

(58) **Field of Classification Search**
USPC D16/221, 225, 229–231, 234–235,
D16/201–203, 217, 219, 134, 136;
D21/514; 353/101, 115, 119, 122;
396/529–531

CPC G03B 21/00; G03B 21/001; G03B 21/003;
G03B 21/12; G03B 21/14; G03B 21/142;
G03B 21/145; G03B 21/16; G03B 21/54;
G03B 17/56; G02B 13/0025

See application file for complete search history.

(57) **CLAIM**

The ornamental design for a projector, as shown and described.

(56) **References Cited**

DESCRIPTION

U.S. PATENT DOCUMENTS

D480,408 S * 10/2003 Kawashima D16/225
D648,366 S * 11/2011 Yuyama D16/230
8,398,250 B2 * 3/2013 Adachi G03B 21/145
353/119
D695,331 S * 12/2013 Ohashi D16/235
D722,636 S * 2/2015 Ishibashi D16/230
D728,662 S * 5/2015 Kikuchi D16/219
D865,850 S * 11/2019 Yoshida D16/229
D867,431 S * 11/2019 Yoshida D16/235

(Continued)

The file of this patent contains at least one drawing executed in color. Copies of this patent with color drawings will be provided by the United States Patent and Trademark Office upon request and payment of the necessary fee.

FIG. 1 is a top left perspective view of a projector showing our new design;

FIG. 2 is a front view thereof;

FIG. 3 is a rear view thereof;

FIG. 4 is a top plan view thereof;

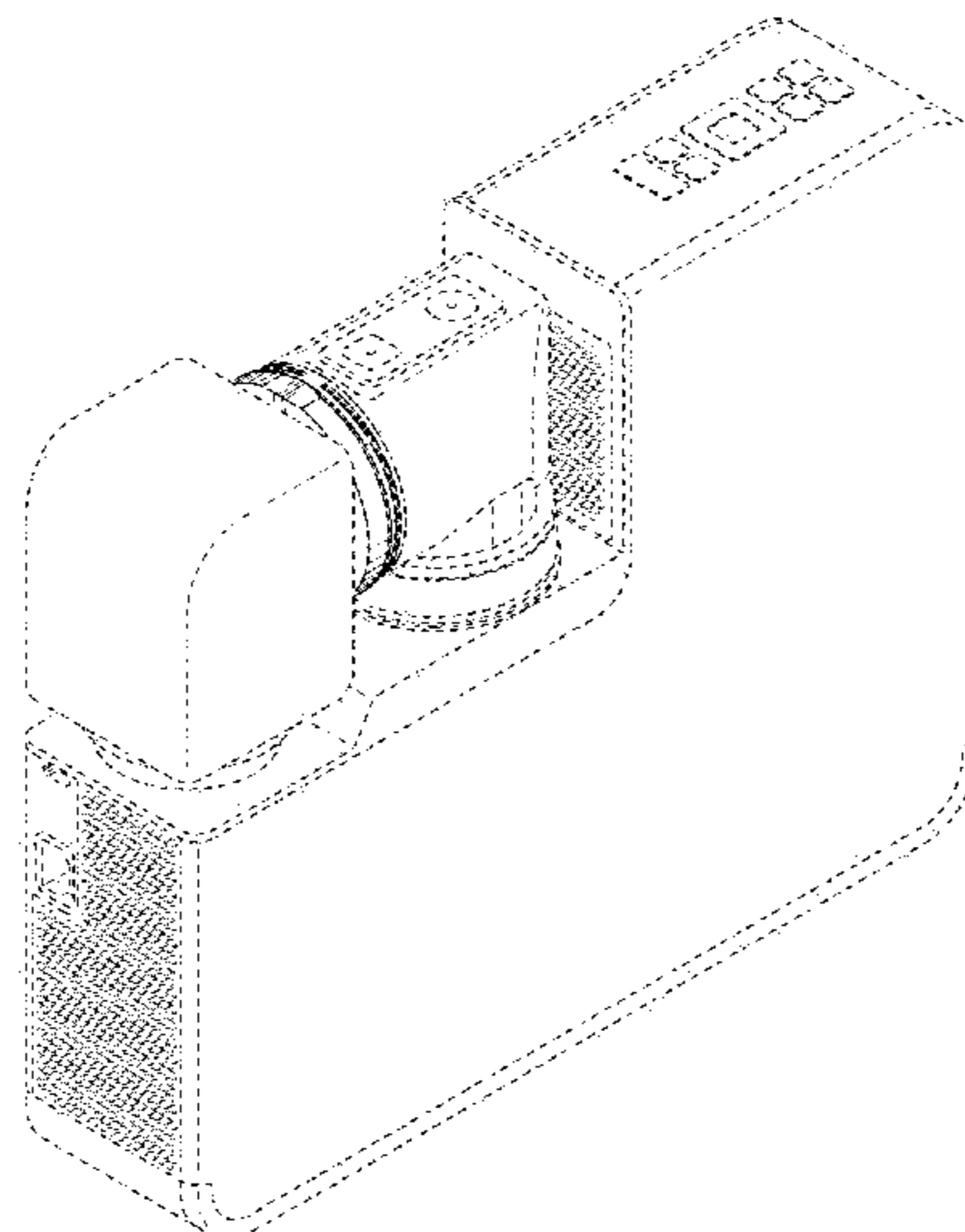
FIG. 5 is a bottom plan view thereof;

FIG. 6 is a right side view thereof; and,

FIG. 7 is a left side view thereof.

The dotted-dashed lines illustrate the bounds of the claimed design while all other broken lines are directed to environment and are for illustrative purposes only; the broken lines form no part of the claimed design.

1 Claim, 6 Drawing Sheets
(4 of 6 Drawing Sheet(s) Filed in Color)



(56)

References Cited

U.S. PATENT DOCUMENTS

D877,799 S * 3/2020 Tanaka D16/235
D877,800 S * 3/2020 Tanaka D16/235

* cited by examiner

FIG. 1

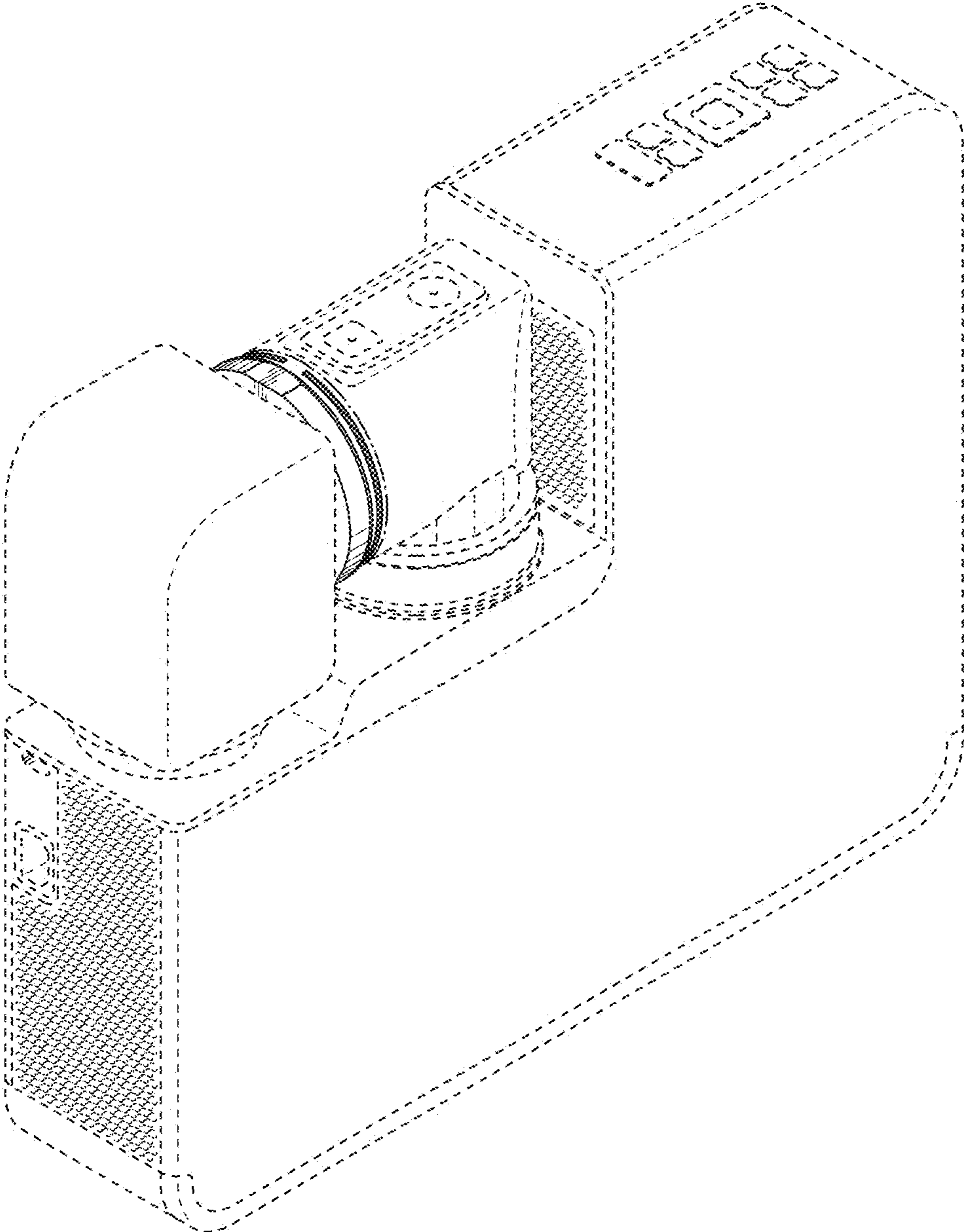


FIG. 2

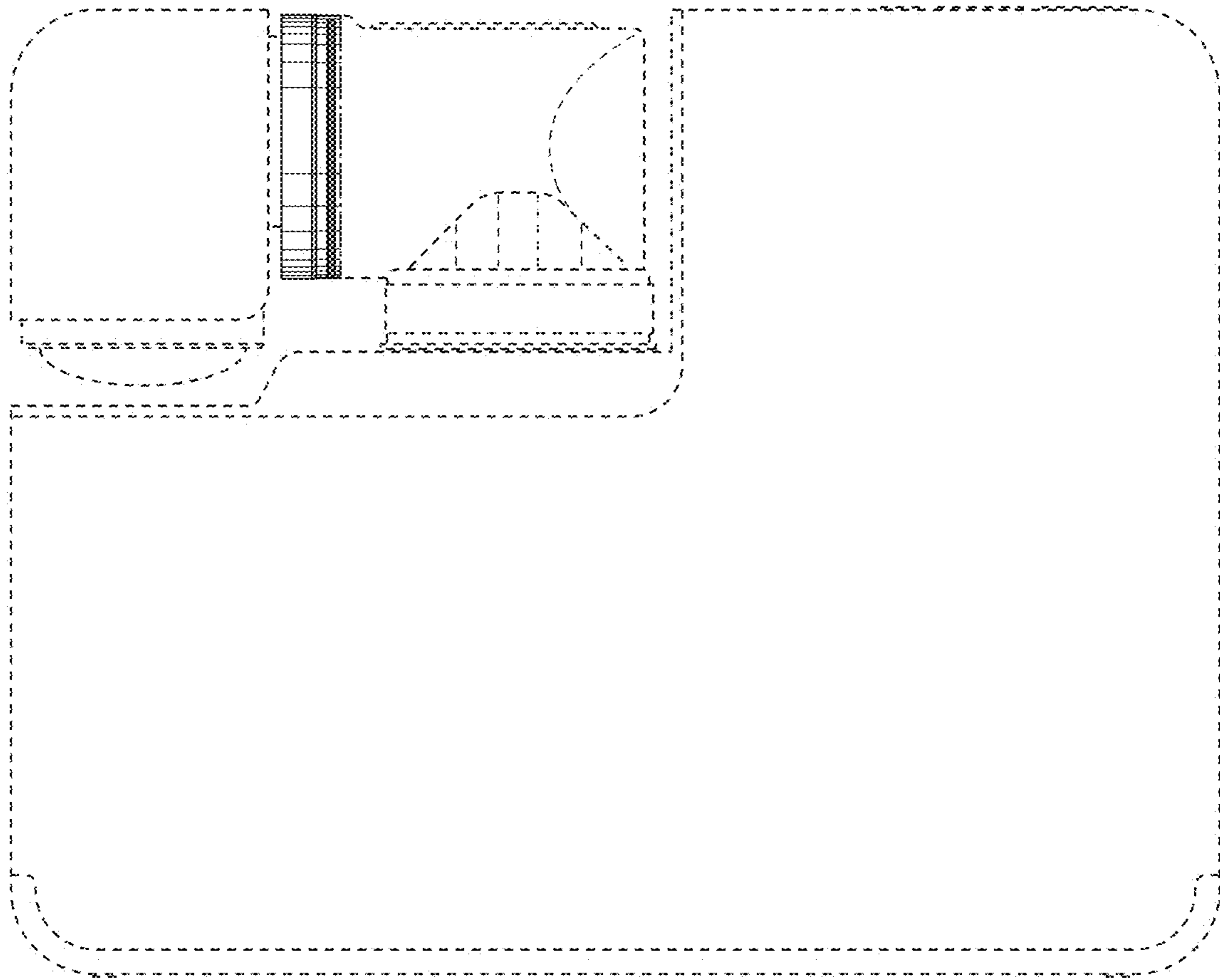


FIG. 3

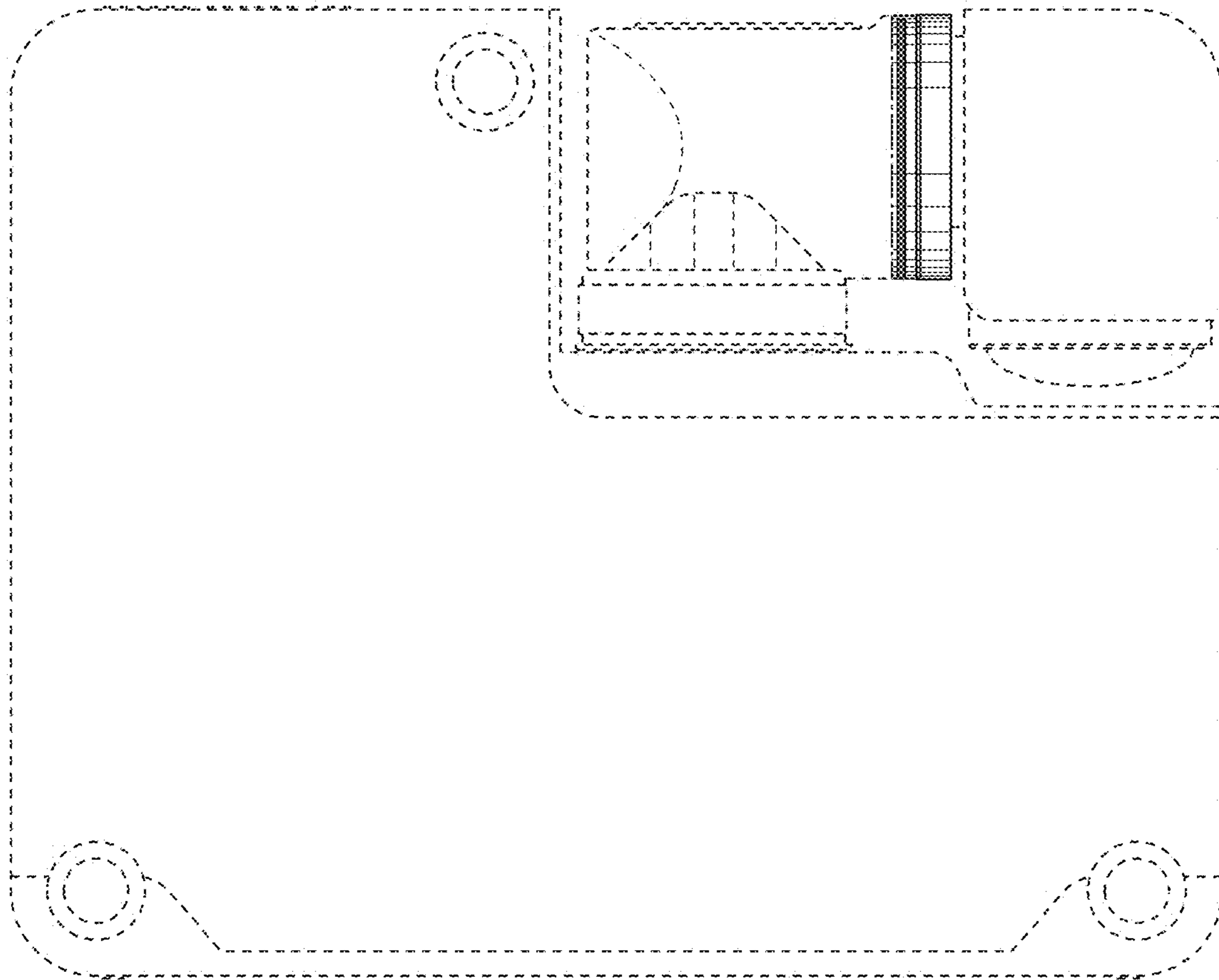


FIG. 4

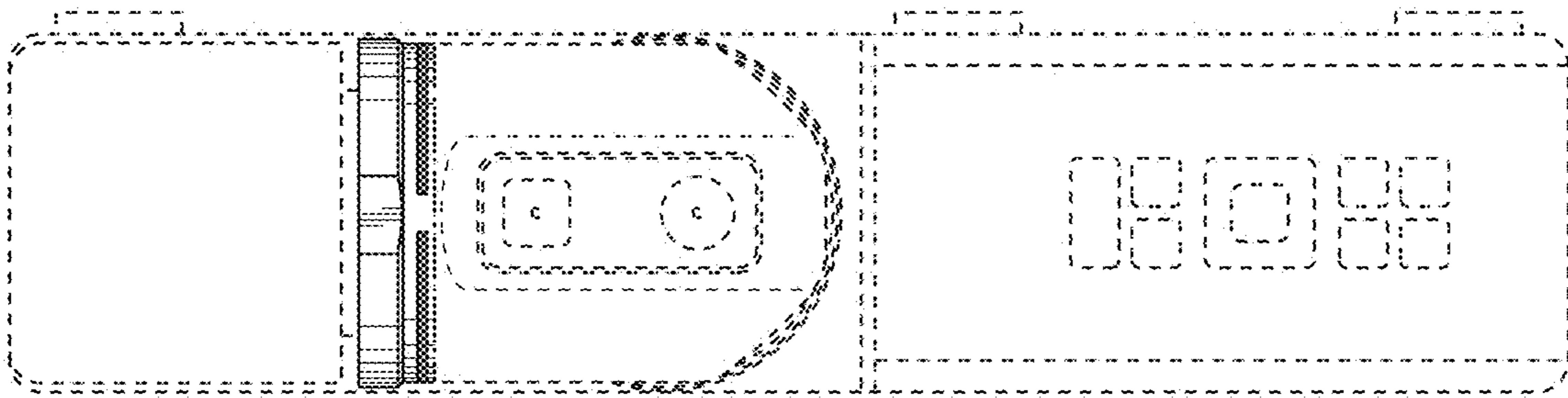


FIG. 5

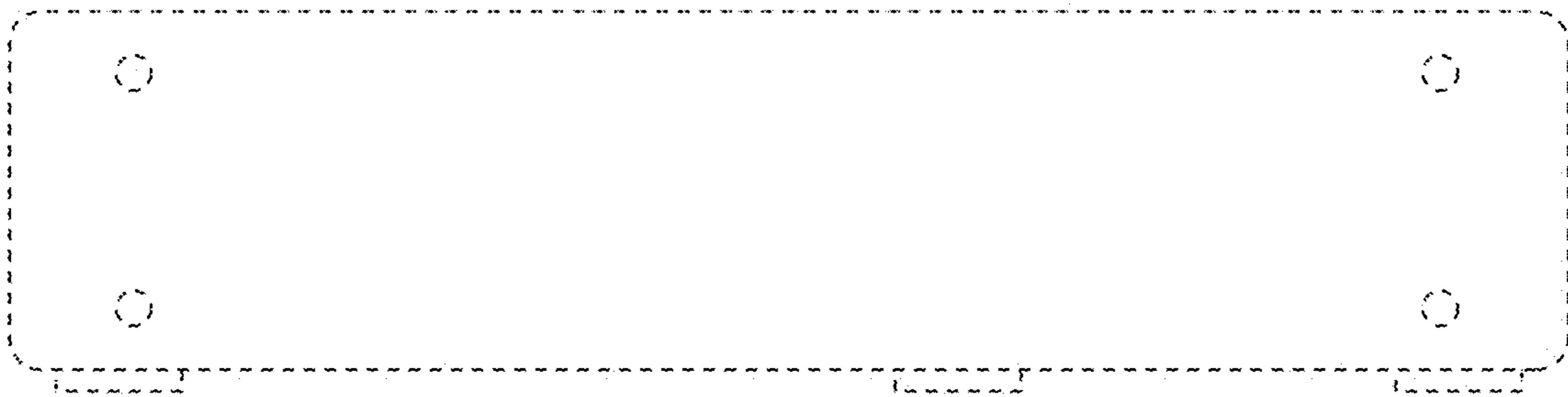


FIG. 6

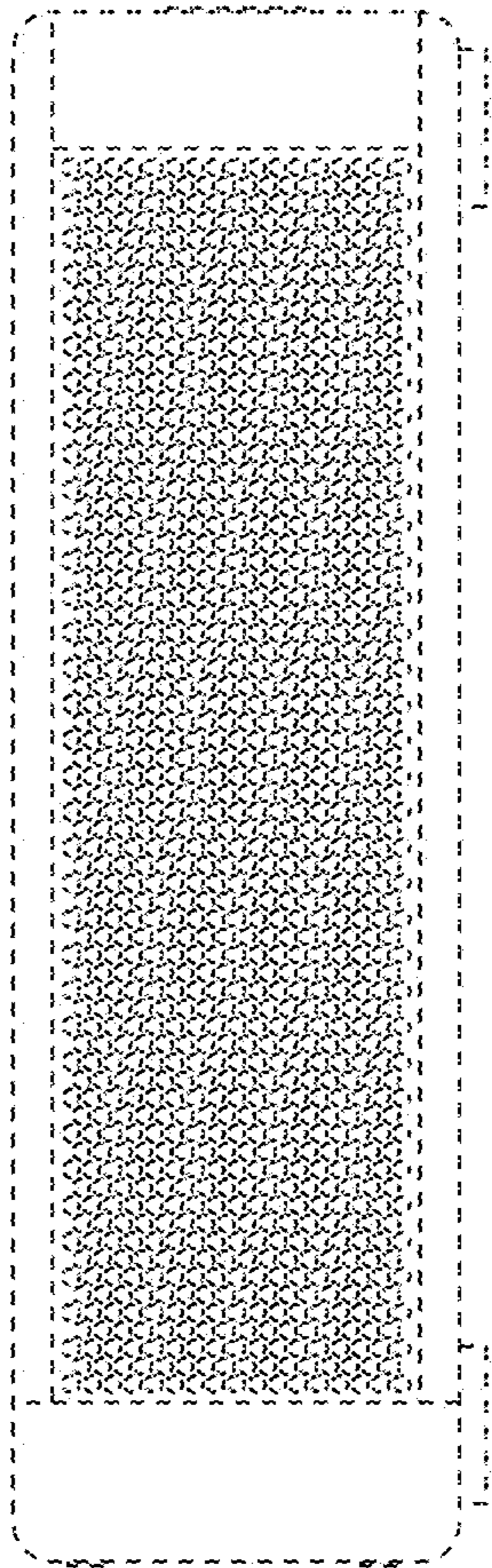


FIG. 7

