



US00D904495S

(12) **United States Design Patent**
Deng

(10) **Patent No.:** **US D904,495 S**

(45) **Date of Patent:** **** Dec. 8, 2020**

(54) **PROJECTOR**

(71) Applicant: **Feiyue Deng**, Rong County (CN)

(72) Inventor: **Feiyue Deng**, Rong County (CN)

(**) Term: **15 Years**

(21) Appl. No.: **29/697,711**

(22) Filed: **Jul. 10, 2019**

(51) **LOC (12) Cl.** **16-02**

(52) **U.S. Cl.**
USPC **D16/230**

(58) **Field of Classification Search**
USPC D16/221, 225, 230–231, 234; D21/514;
353/115, 119
CPC G03B 21/145; G03B 21/14; G03B 21/16;
G03B 21/12; G03B 21/001; G03B
21/003; G03B 21/00
See application file for complete search history.

(56) **References Cited**

U.S. PATENT DOCUMENTS

D555,185 S * 11/2007 Nozue D16/225
D633,125 S * 2/2011 Han D16/230
D850,518 S * 6/2019 Gan D16/230

D854,072 S * 7/2019 Gan D16/230
D866,643 S * 11/2019 Liang D16/230
D886,889 S * 6/2020 Mao D16/230

* cited by examiner

Primary Examiner — Wan Laymon

(74) *Attorney, Agent, or Firm* — Hemisphere Law, PLLC;
Zhigang Ma

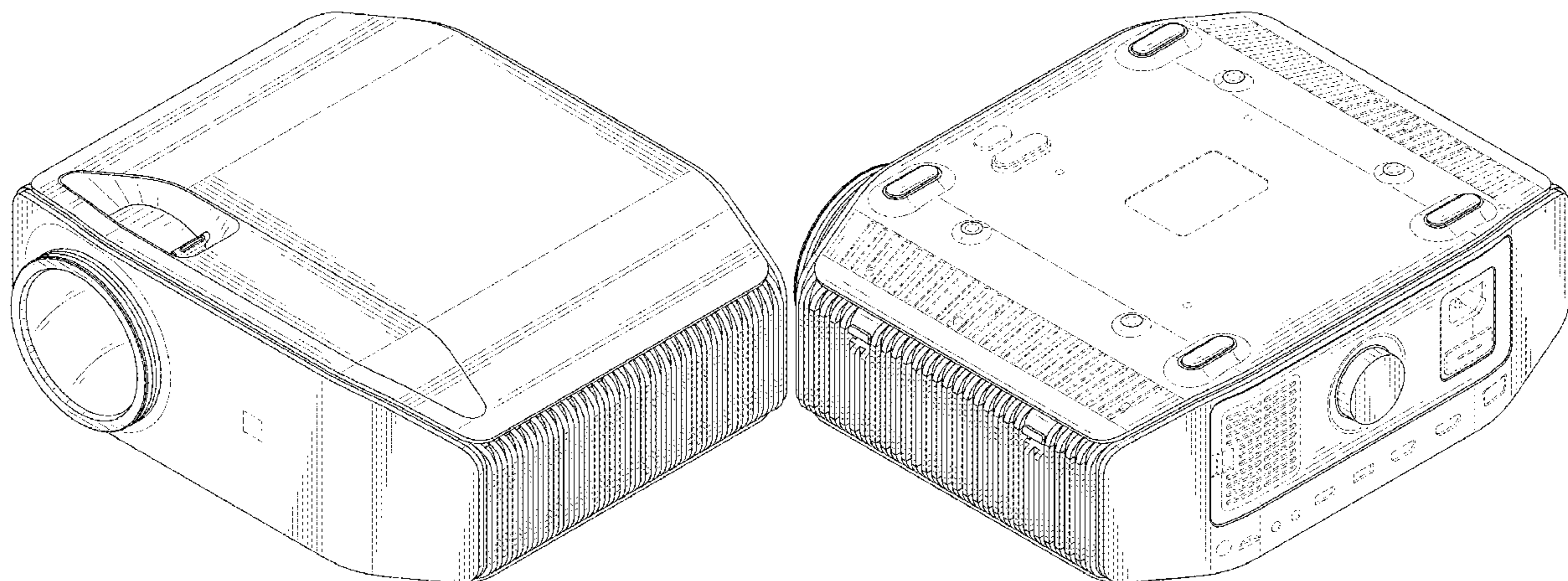
(57) **CLAIM**

The ornamental design for a projector, as shown and described.

DESCRIPTION

FIG. 1 is a front top perspective view of a projector showing my new design;
FIG. 2 is a rear bottom perspective view thereof;
FIG. 3 is a front elevational view thereof;
FIG. 4 is a rear elevational view thereof;
FIG. 5 is a left side elevational view thereof;
FIG. 6 is a right side elevational view thereof;
FIG. 7 is a top plan view thereof; and,
FIG. 8 is a bottom plan view thereof.
The broken lines are for illustrating unclaimed portions of the projector or environmental structures, the broken lines form no part of the claimed design.

1 Claim, 8 Drawing Sheets



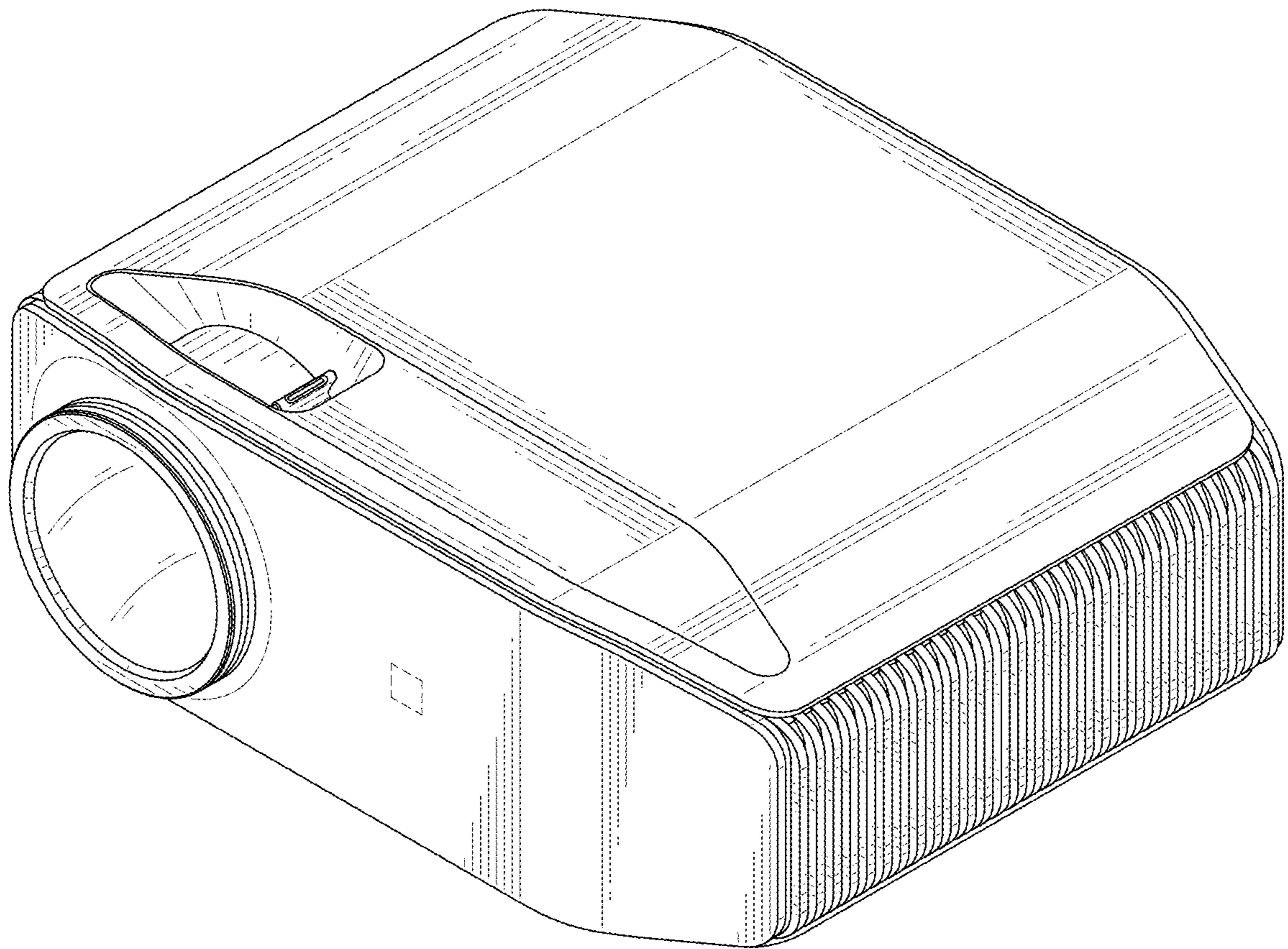


FIG. 1

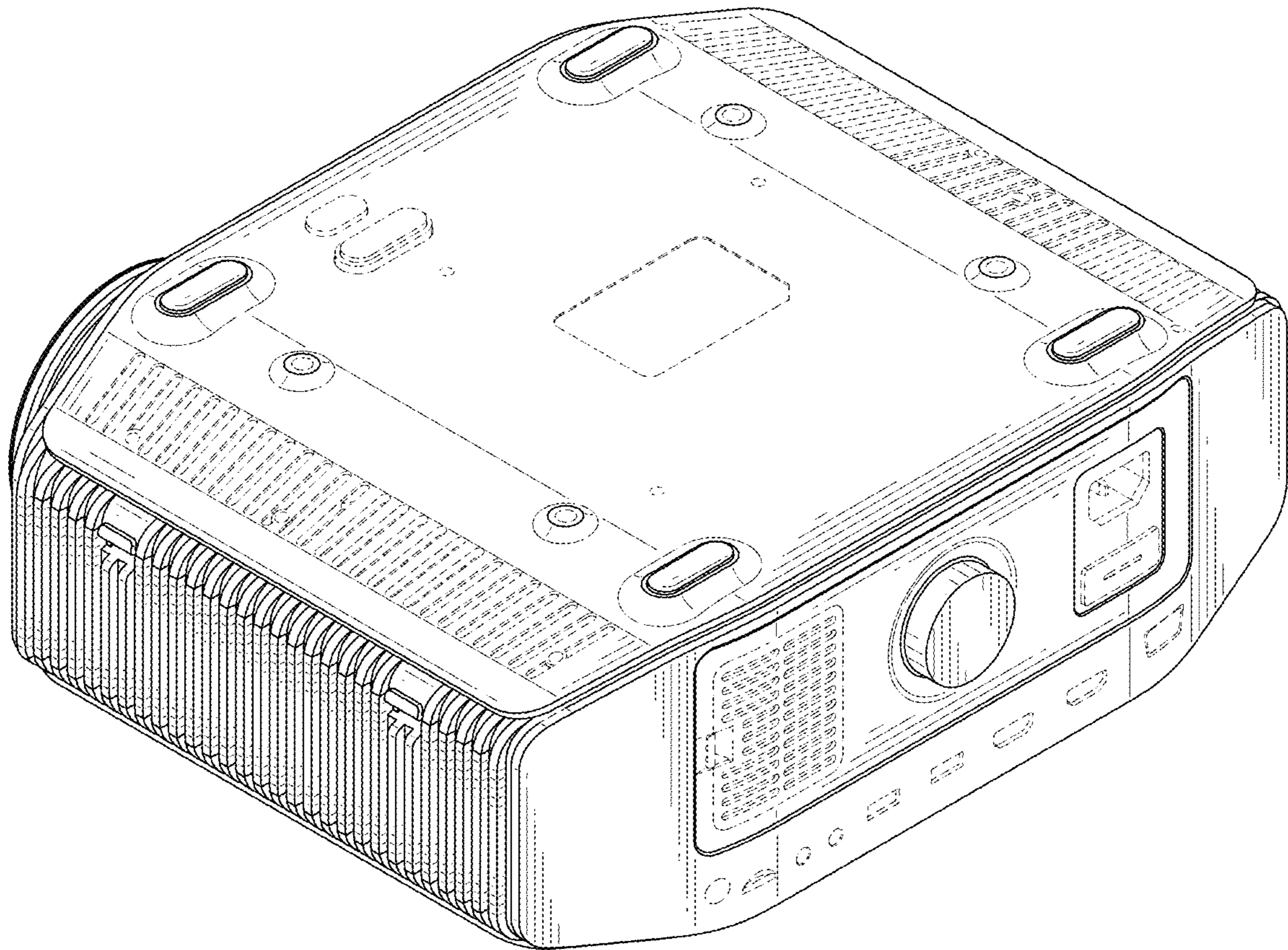


FIG. 2

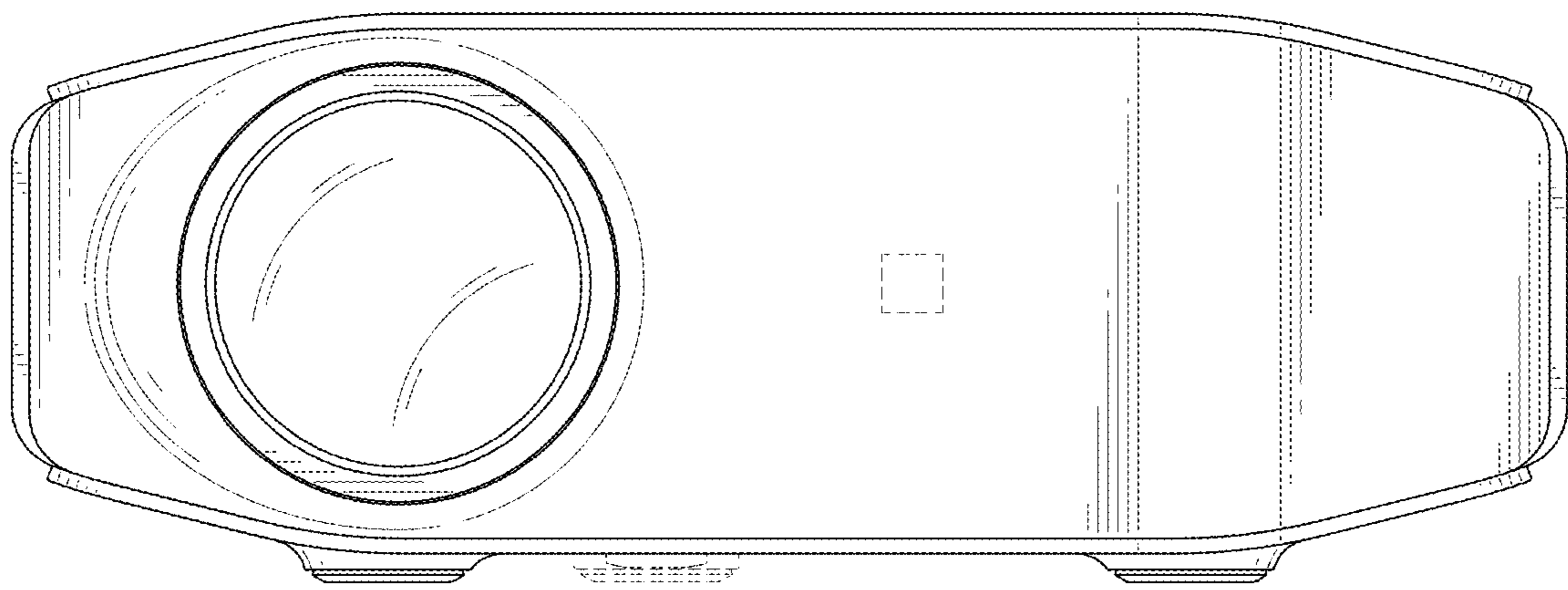


FIG. 3

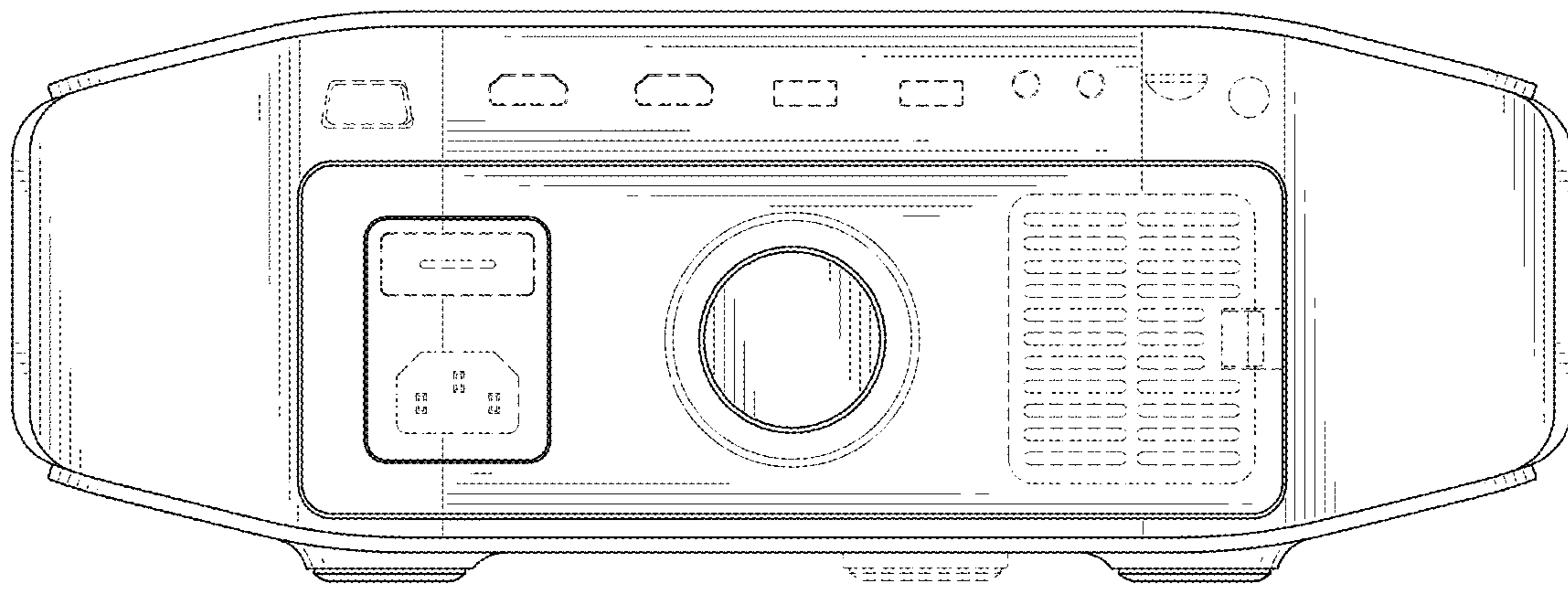


FIG. 4

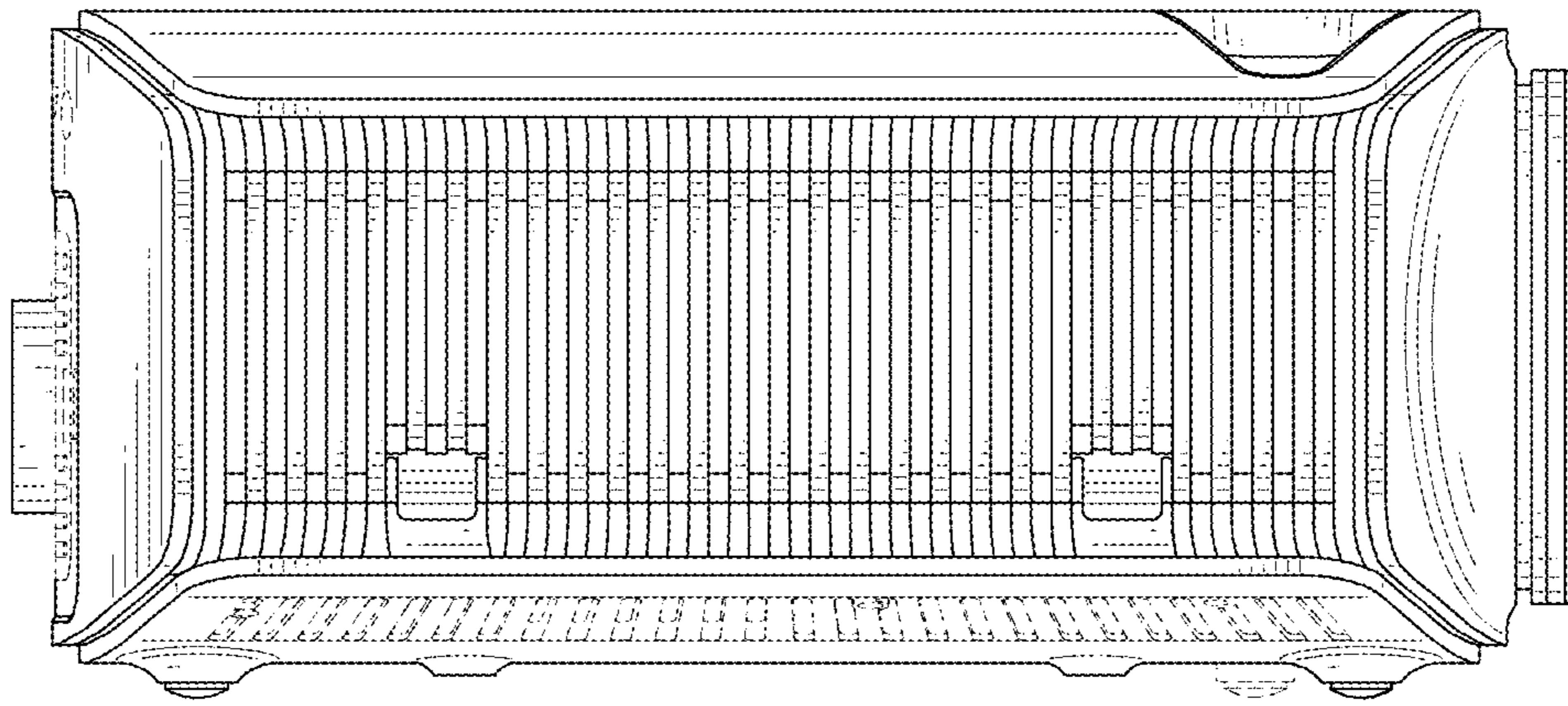


FIG. 5

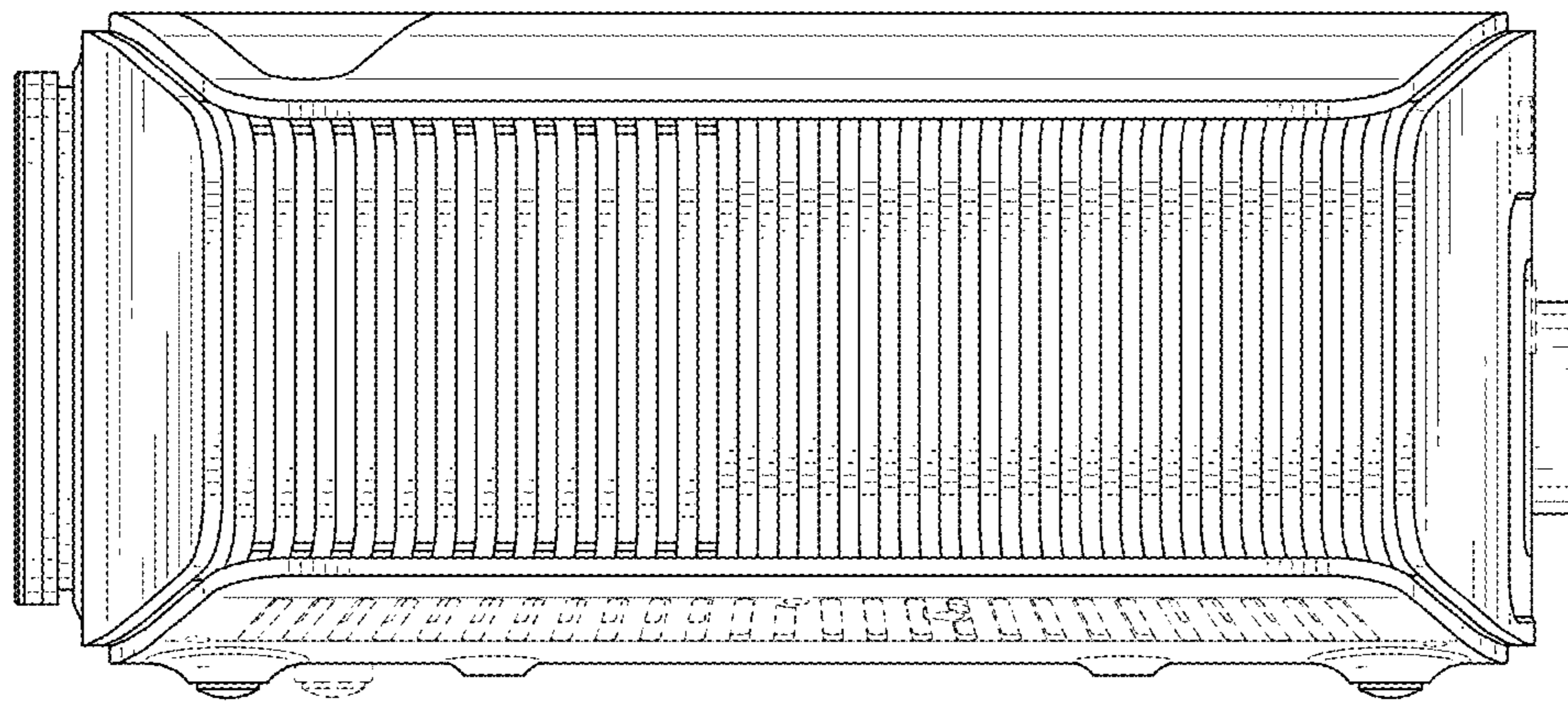


FIG. 6

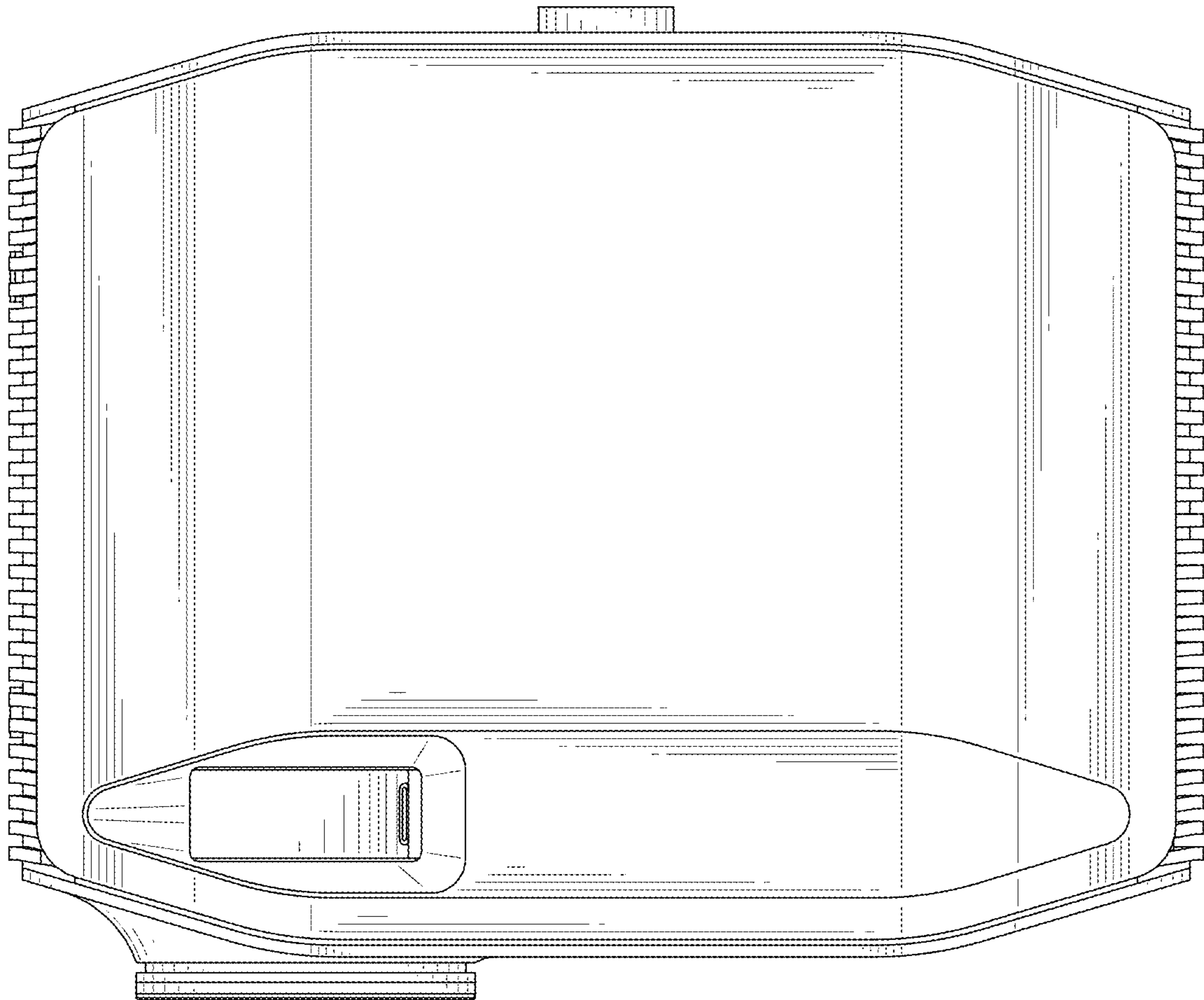


FIG. 7

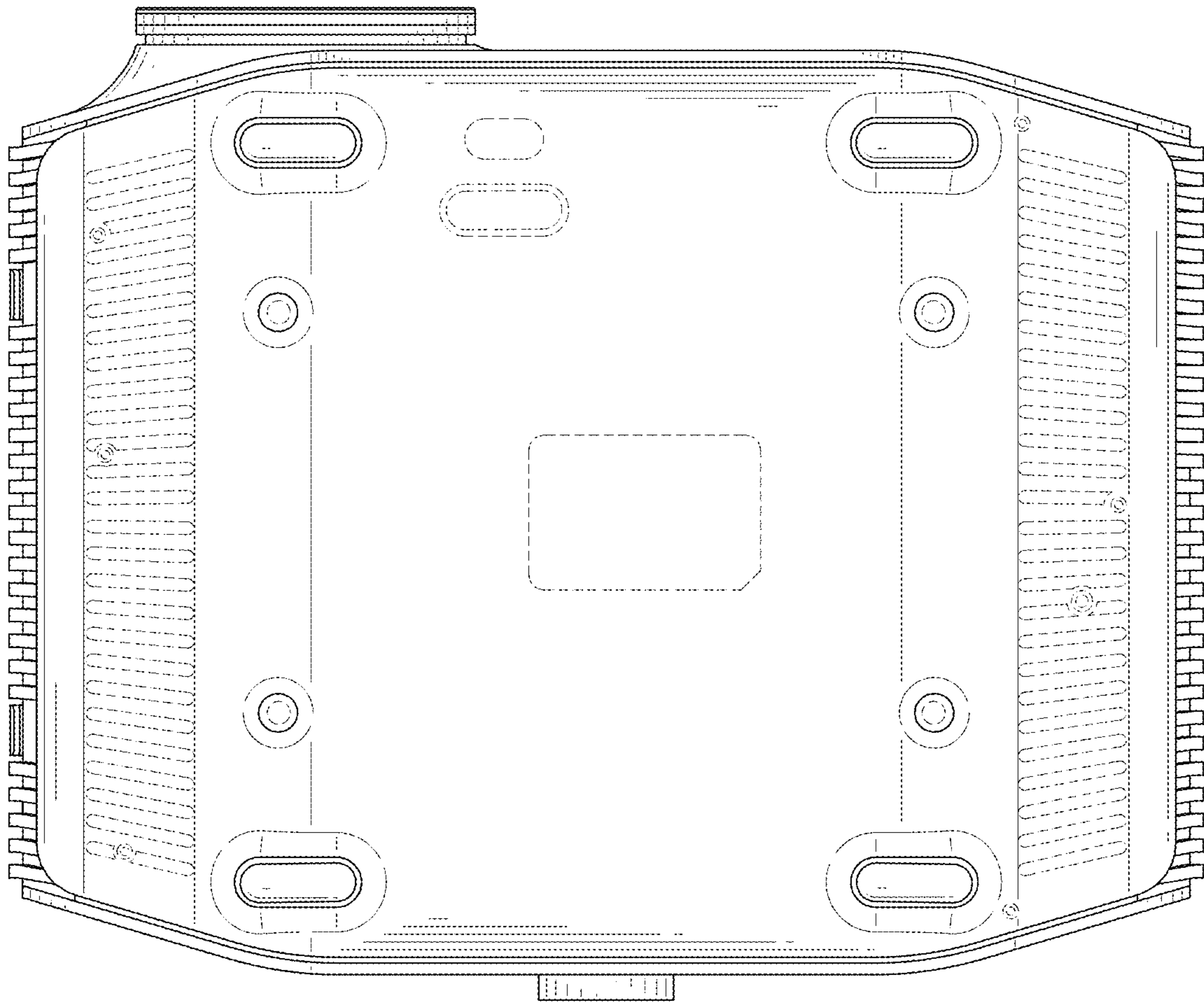


FIG. 8